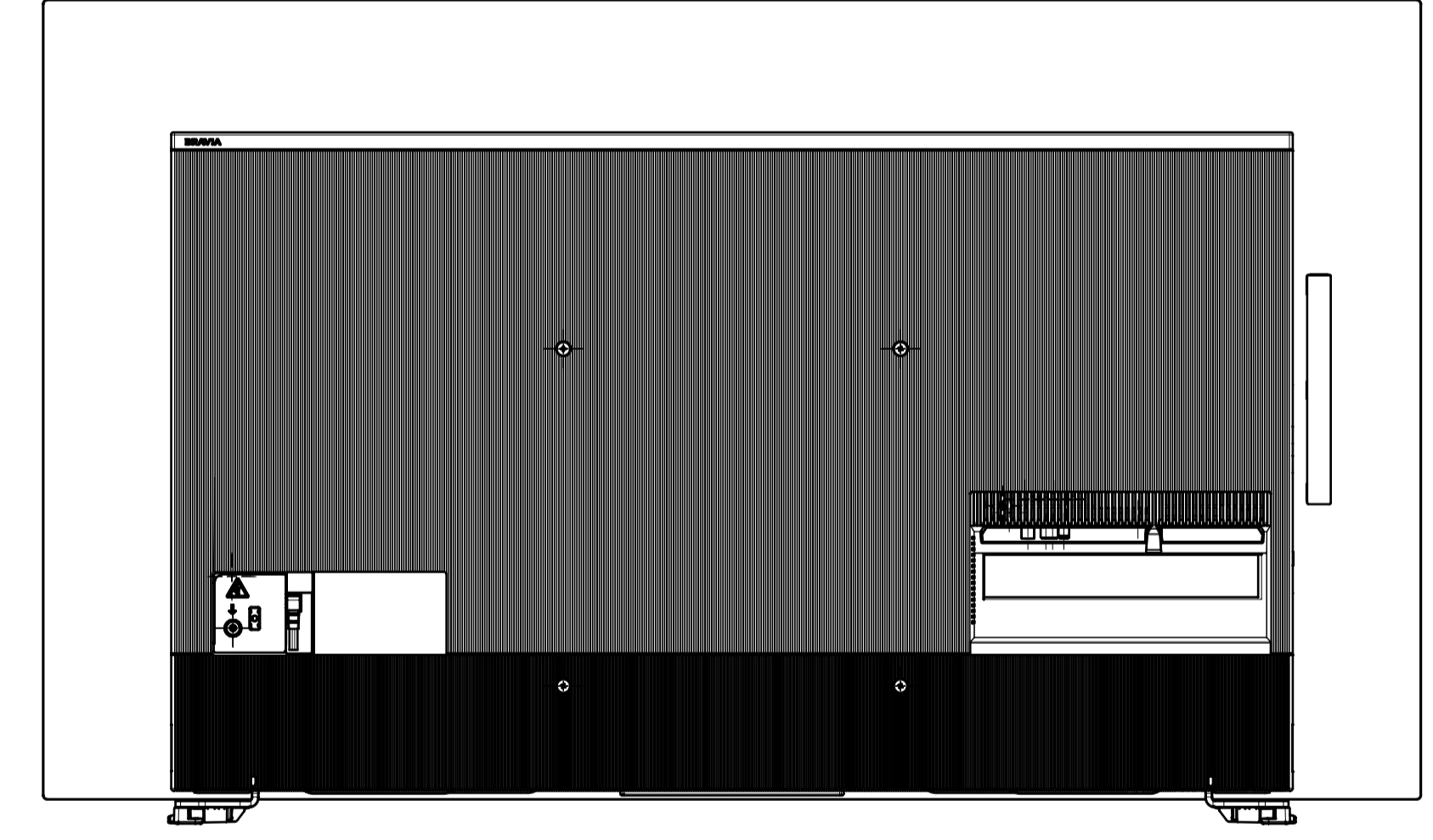
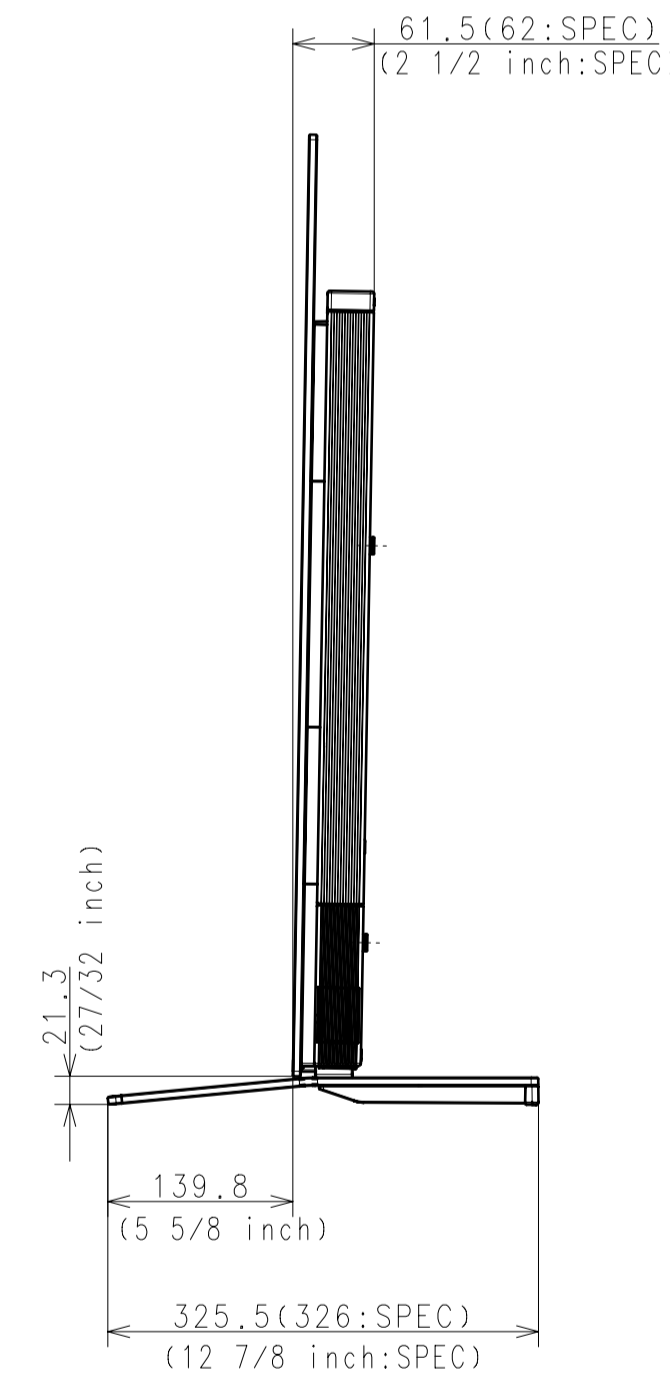
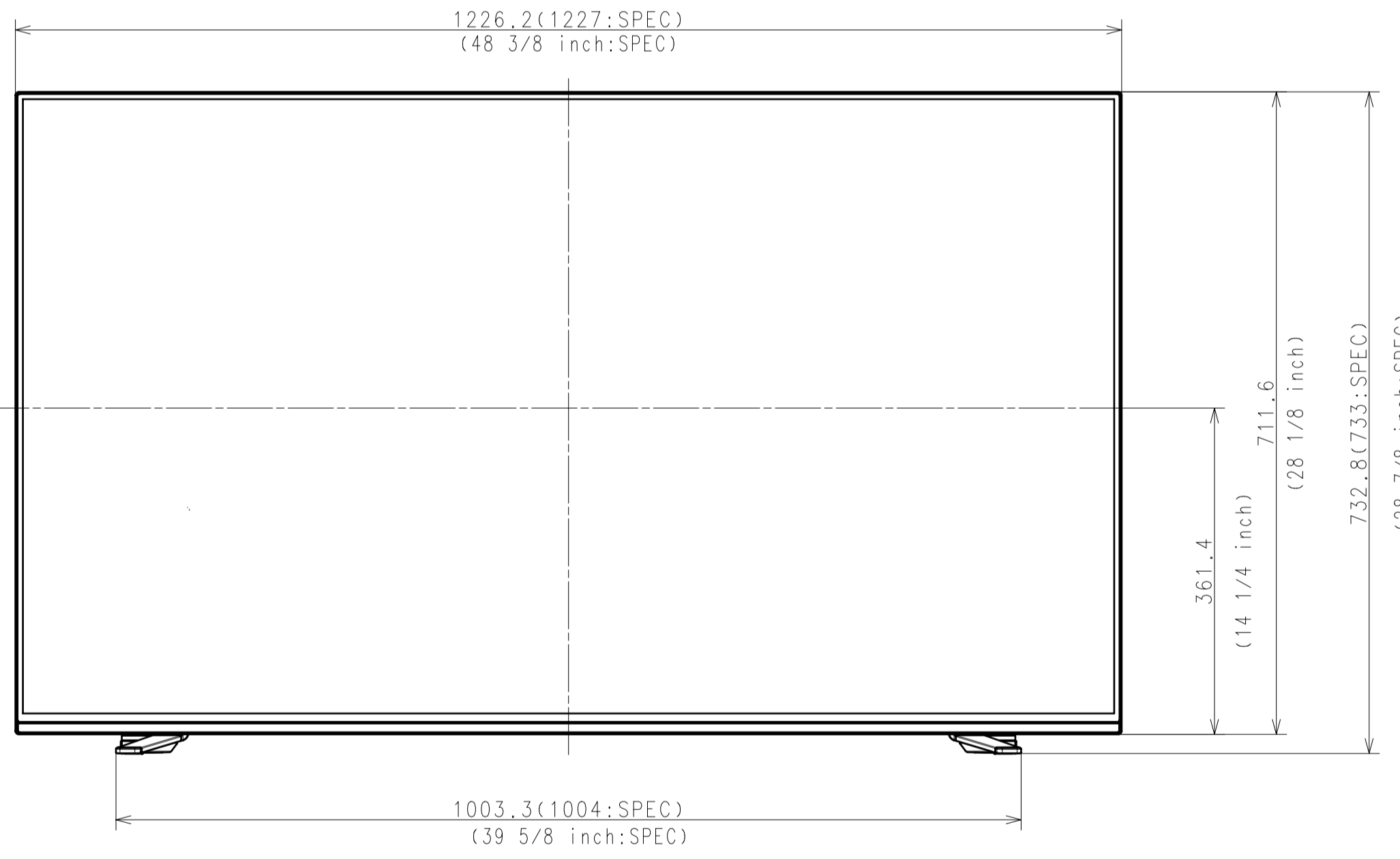
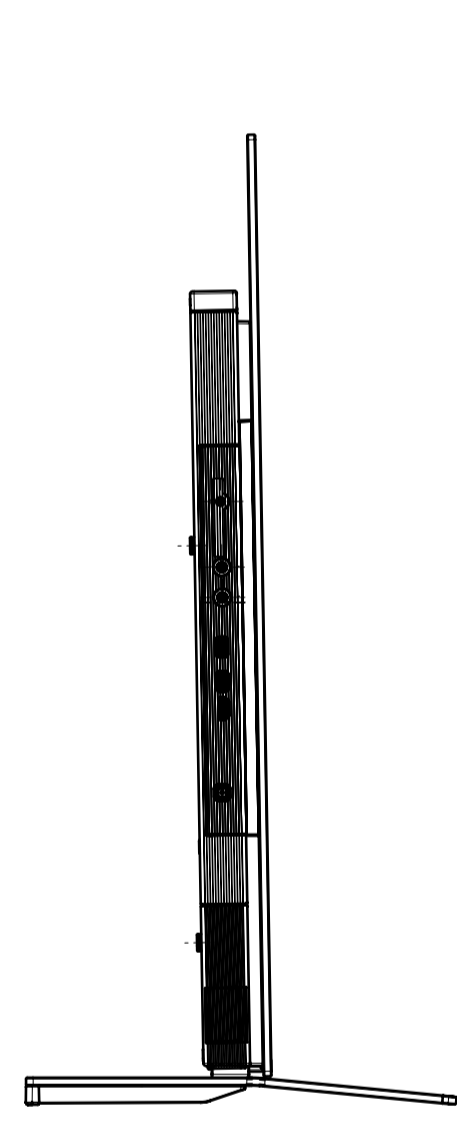
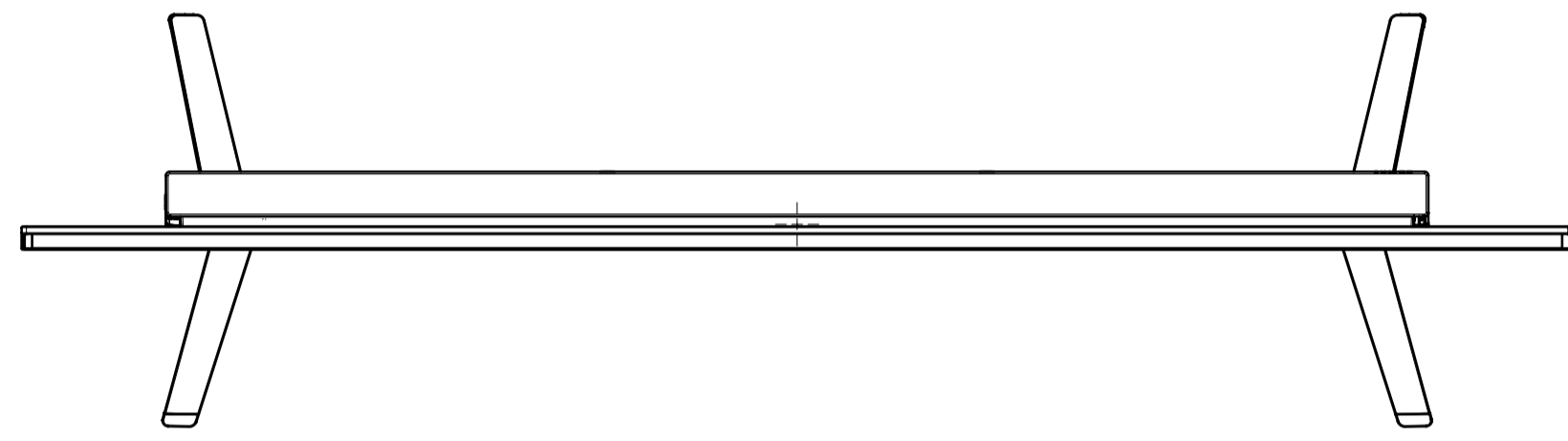


Area	JAPAN	NORTH AMERICA	LATIN AMERICA	EUROPE	EUROPE DERIVATIVE	GENERAL AREA	CHINA
Model Name	KJ-55A8H	XBR-55A8H	XBR-55A8H	KD-55A8	KD-55A87	KD-55A8H	KD-55A8H
SV No.	SV-38585	SV-38482	SV-38640	SV-38525	SV-38526	SV-38649	SV-38671
DIMENSION	TV only (WxHxD)	122.7x71.2x5.2(0.59) cm	1227x712x52(5.9) mm / 48 3/8 x 28 1/8 x 2 1/8(1/4) inch	1227x712x52(5.9) mm	Approx. 122.7x71.2x5.2(0.59) cm	Approx. 122.7x71.2x5.2(0.59) cm	Approx. 1227x712x52(5.9) mm
	TV with Stand (WxHxD)	122.7(122.7)x73.3(78.4)x32.6(32.3) cm	1227(1227)x733(784)x326(323) mm / 48 3/8(48 3/8) x 28 7/8(30 7/8) x 12 7/8(12 3/4) inch	1227(1227)x733(784)x326(323) mm	Approx. 122.7(122.7)x73.3(78.4)x32.6(32.3) cm	Approx. 122.7x73.9x29.5 cm	Approx. 1227(1227)x733(784)x326(323) mm
	Media Receiver (WxHxD)	-	-	-	-	-	-
	Monitor only (WxHxD)	-	-	-	-	-	-
	Monitor with Stand (WxHxD)	-	-	-	-	-	-
	Media Receiver with Stand (WxHxD)	-	-	-	-	-	-
	Satellite Speaker (WxHxD)	-	-	-	-	-	-
Stand Width	100.4(107.5) cm	1004(1075) mm / 39 5/8(42 3/8) inch	1004(1075) mm	Approx. 100.4(107.5) cm	Approx. 85.5 cm	Approx. 1004(1075) mm	Approx. 1004(1075) mm
VESA Hole Pitch	30.0x30.0 cm	300x300 mm / 11 7/8 x 11 7/8 inch	300x300 mm	30.0x30.0 cm	30.0x30.0 cm	300x300 mm	300x300 mm
WEIGHT	TV Only	16.8 Kg	16.8 Kg / 37.1 lb	16.8 Kg	Approx. 16.8 Kg	Approx. 16.8 Kg	Approx. 16.8 Kg
	TV With Stand	18.6 Kg	18.6 Kg / 41 lb	18.6 Kg	Approx. 18.6 Kg	Approx. 18.2 Kg	Approx. 18.6 Kg
	Media Receiver	-	-	-	-	-	-
	Monitor Only	-	-	-	-	-	-
	Monitor With Stand	-	-	-	-	-	-
	Media Receiver with Stand	-	-	-	-	-	-
Remarks	-	-	-	-	-	-	-

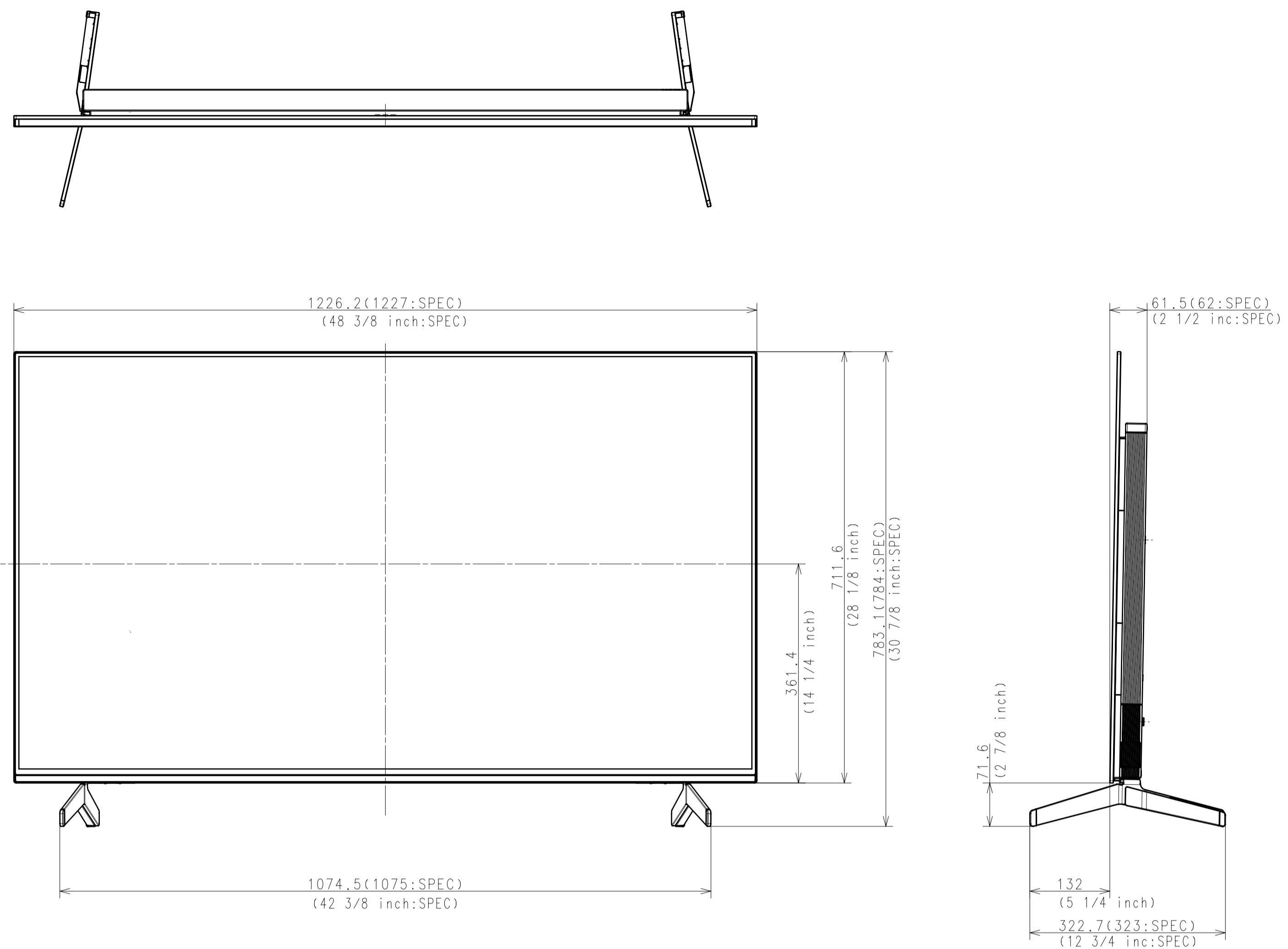
WITH STAND  
STANDARD POSITION



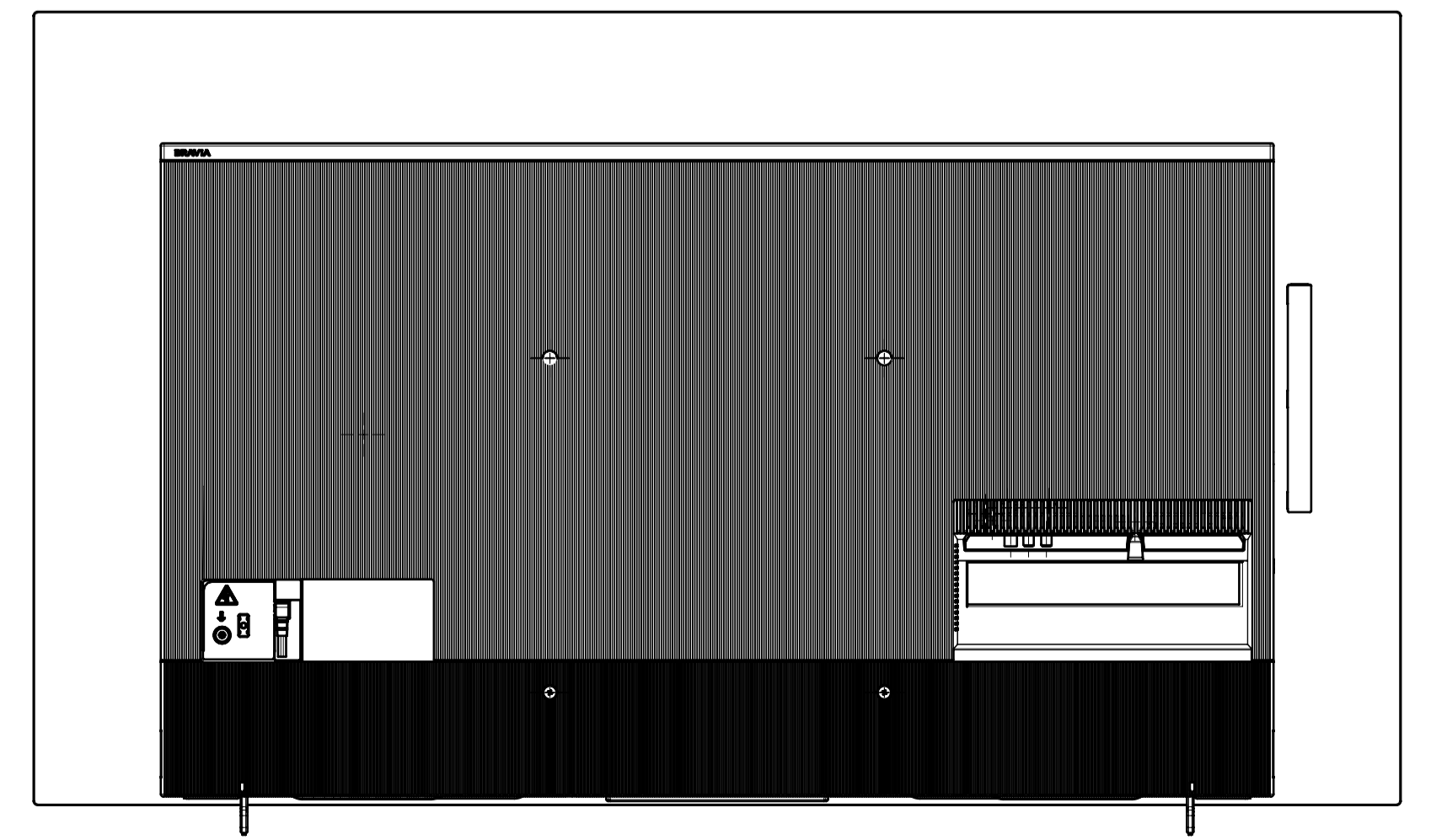
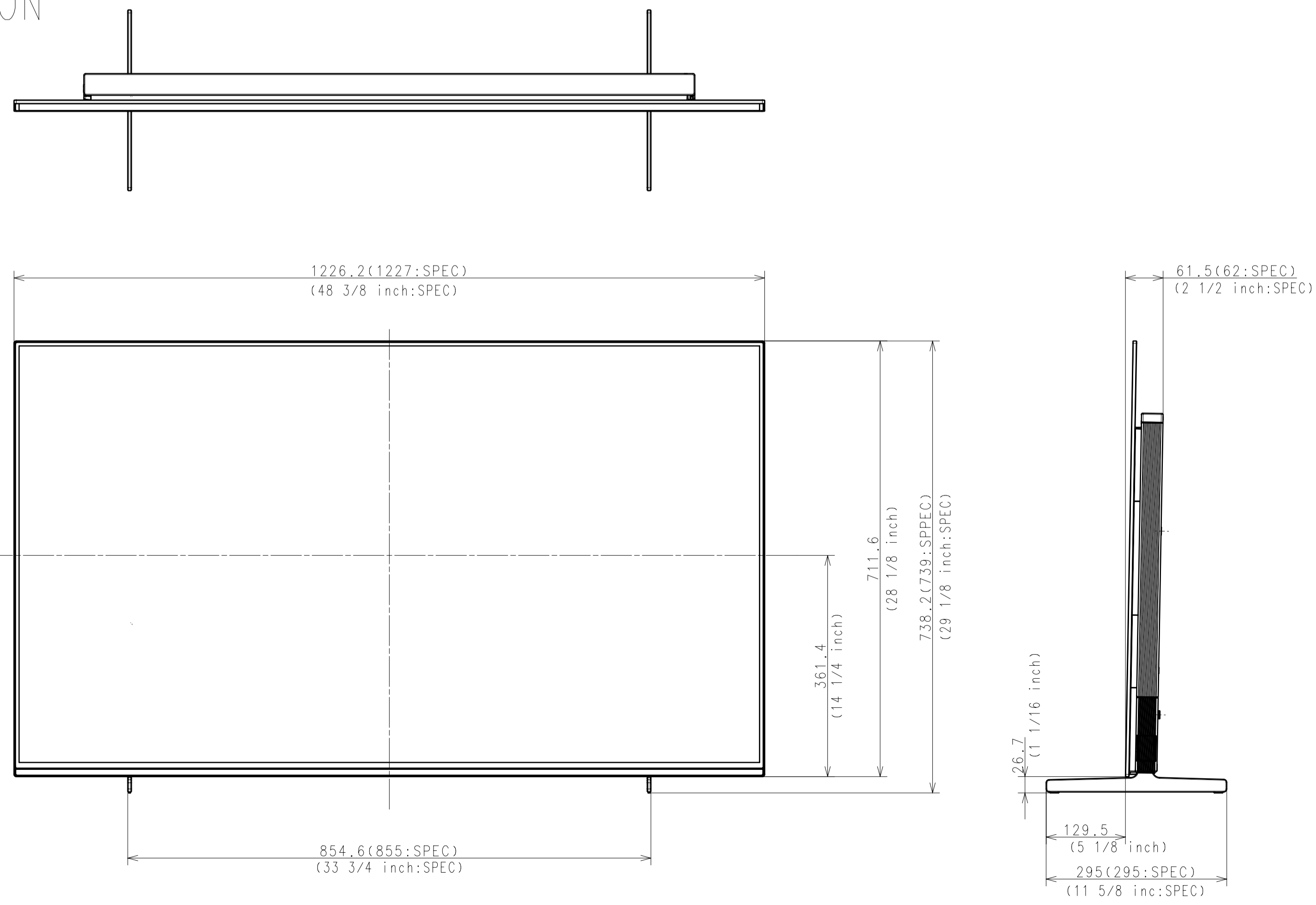
Purchase recycled resins and wire rods only from the business partners that Sony approves as Green Partners.  
再生樹脂・銅線はグリーンパートナー認定品から調達すること。

△A △B △C	HISTORY V. COUNT SUFFIX AREA NO. REV.	RELEASE NO. DATE	REVISION	SIGN.	GENERAL TOLERANCE DATE OF ISSUE 2019.11.28 DOCUMENT TYPE PART TOLERANCING DRAWING (JIS 9 000(ISO 001))
Sony Corporation RESPONSIBLE DEPARTMENT SHES TV Div.					
PLANNED BY 2019.11.28 Saitoh T. (word)	CHECKED BY 2019.11.28 Saitoh T. (word)	APPROVED BY 2019.11.28 Saitoh T. (word)	SCALE 1:1 SIZE A1 UNIT mm	ORIGINAL MODEL TENTATIVE MODEL \$5(A8H) EXTERIOR VIEW \$5(A8H) EXTERIOR VIEW	SHEET/PAGES 1 / 4

WITH STAND  
SOUND BAR POSITION

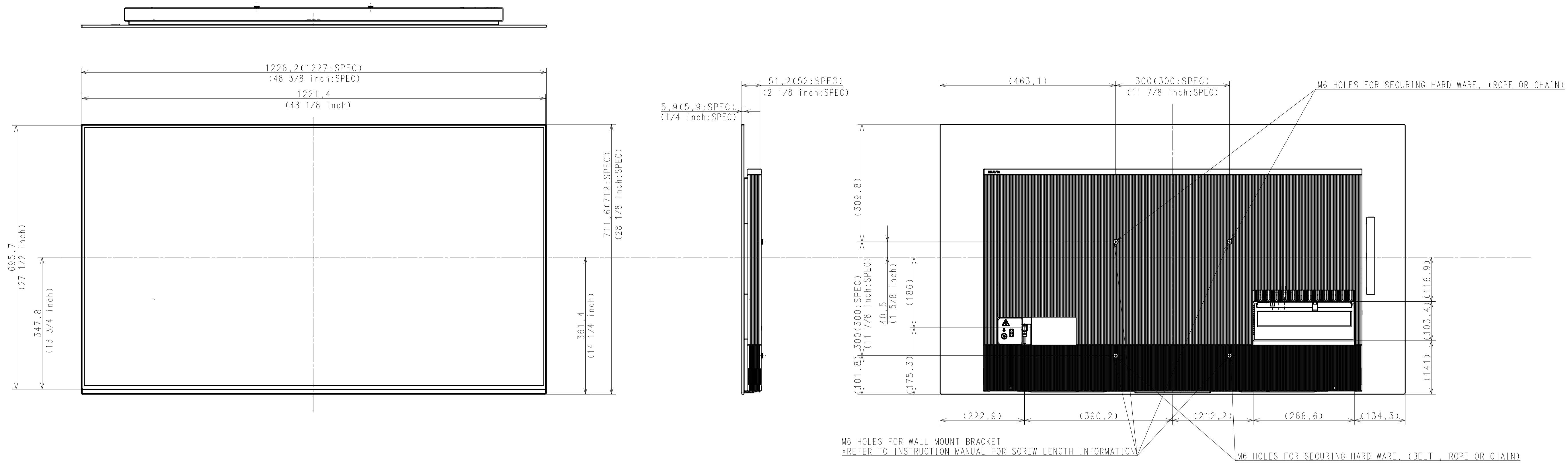


WITH STAND  
DERIVATIVE POSITION

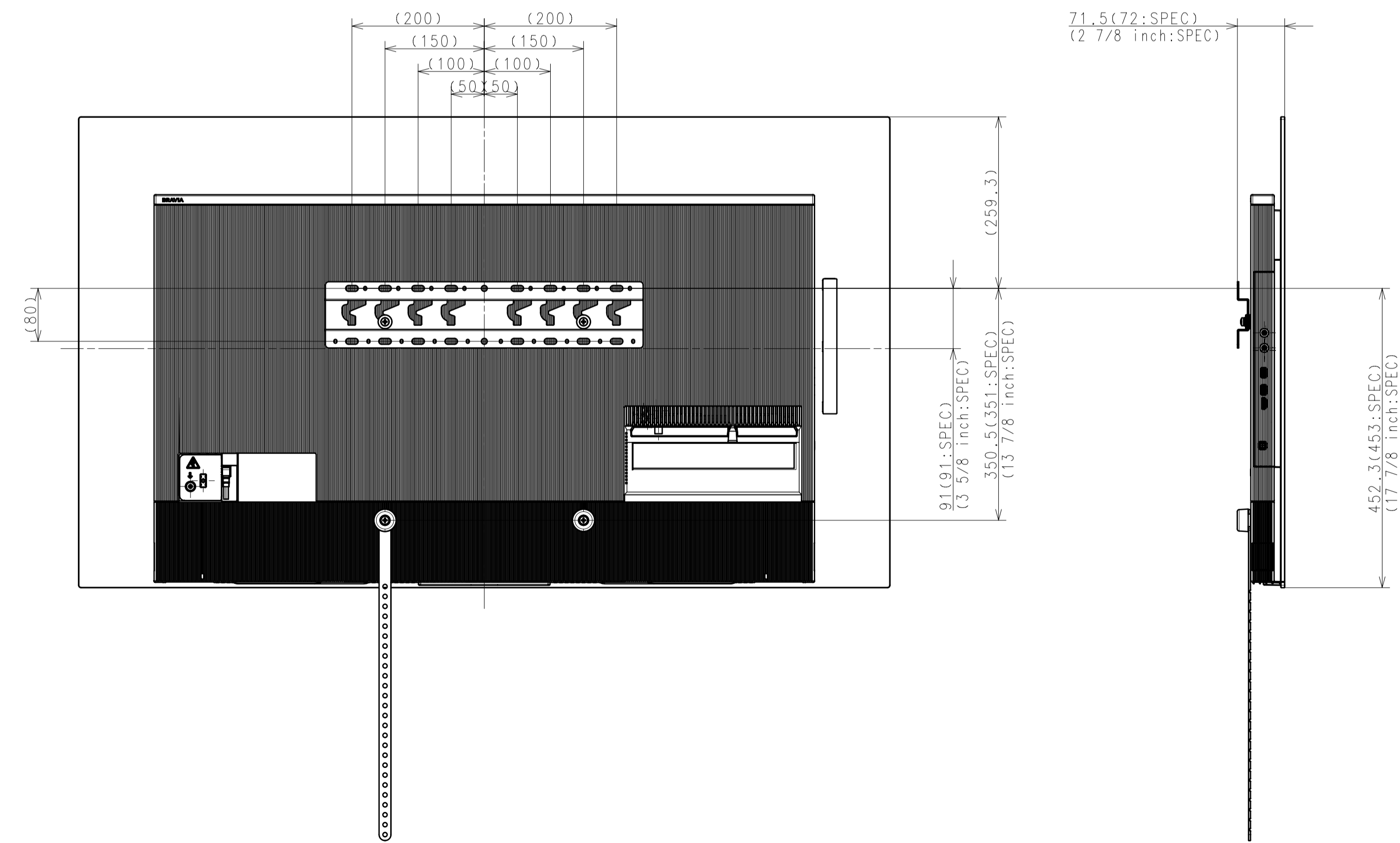


DESCRIPTIONS	LEGAL OWNER	SCALE
55(A8H) EXTERIOR VIEW	Sony Corporation	1:1
55(A8H) EXTERIOR VIEW	PART NO.	SHEET/PAGES 2 / 4

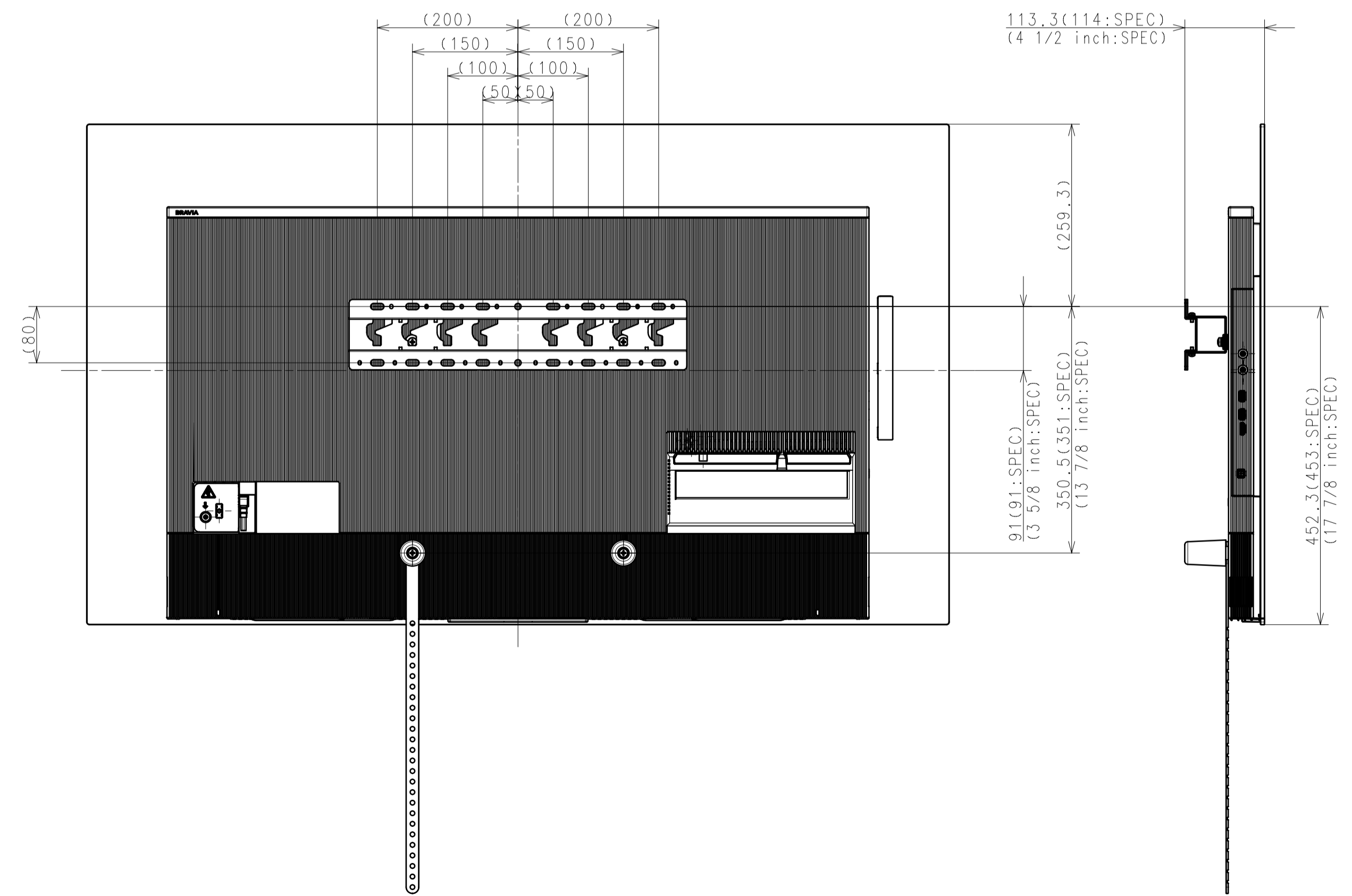
WITHOUT STAND



SU-WL450 SLIM

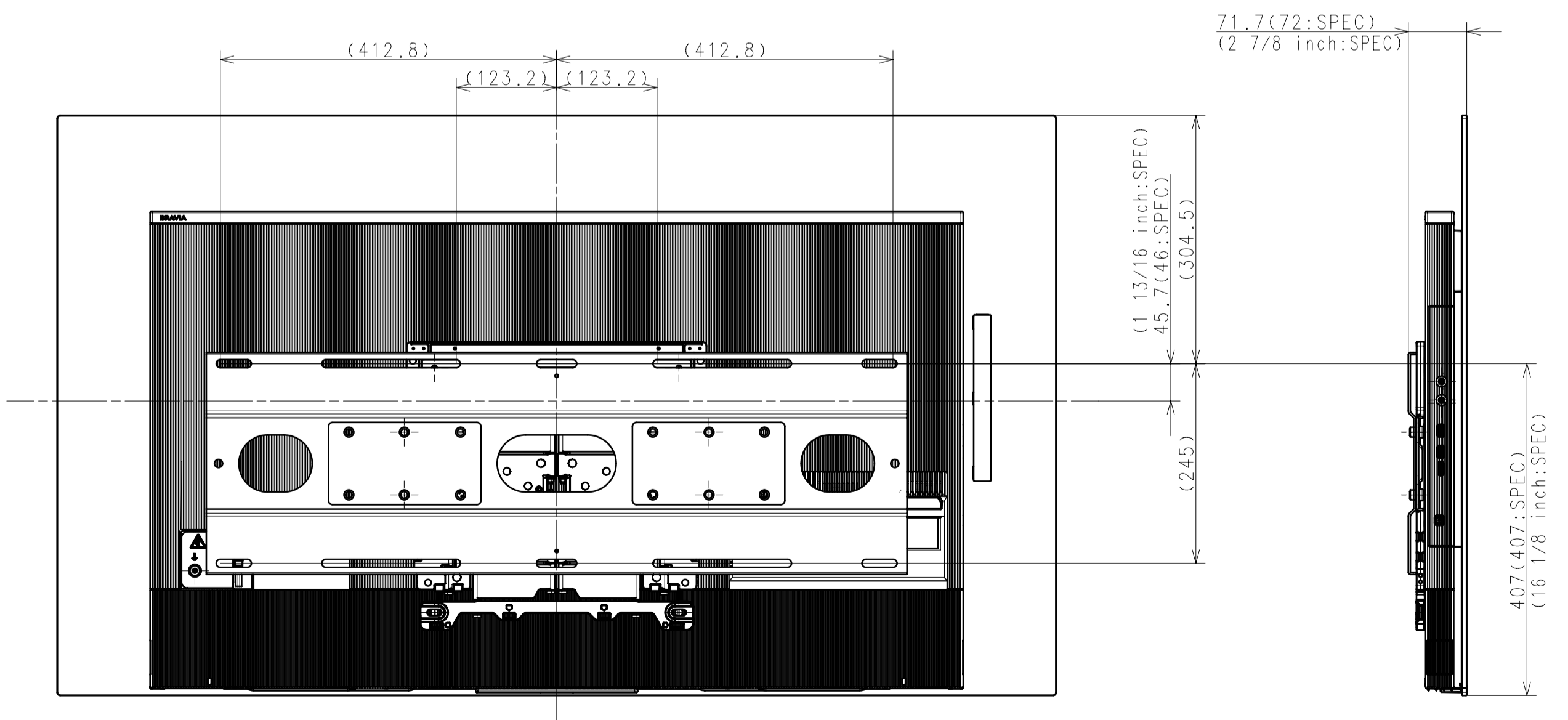
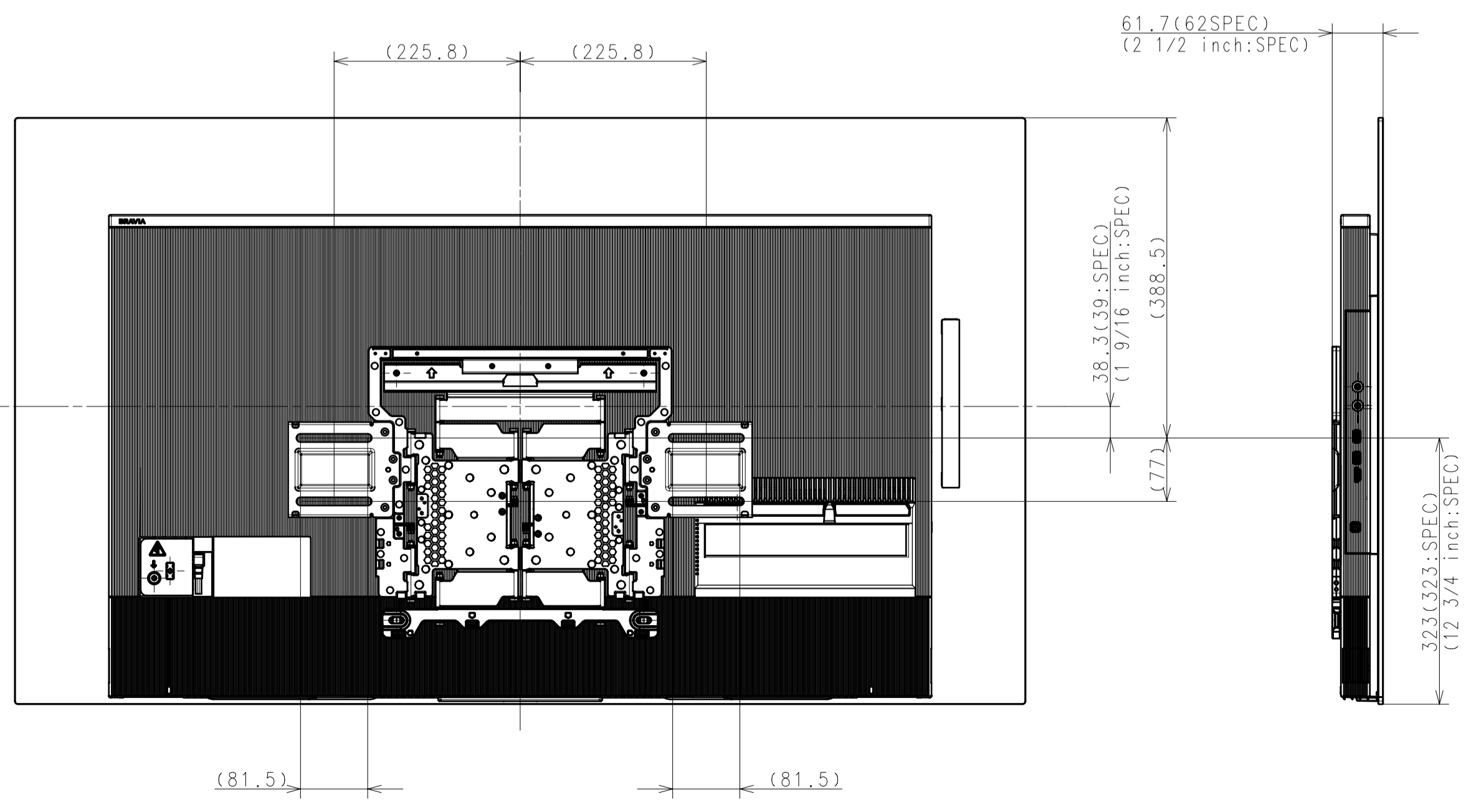
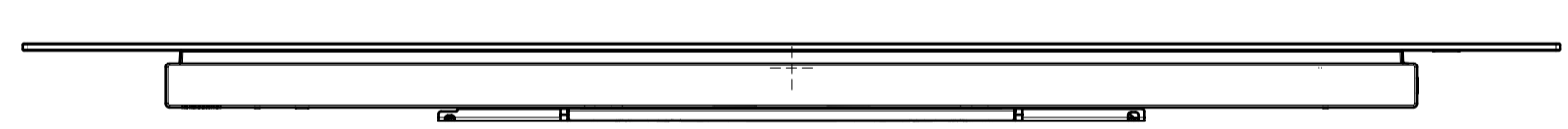
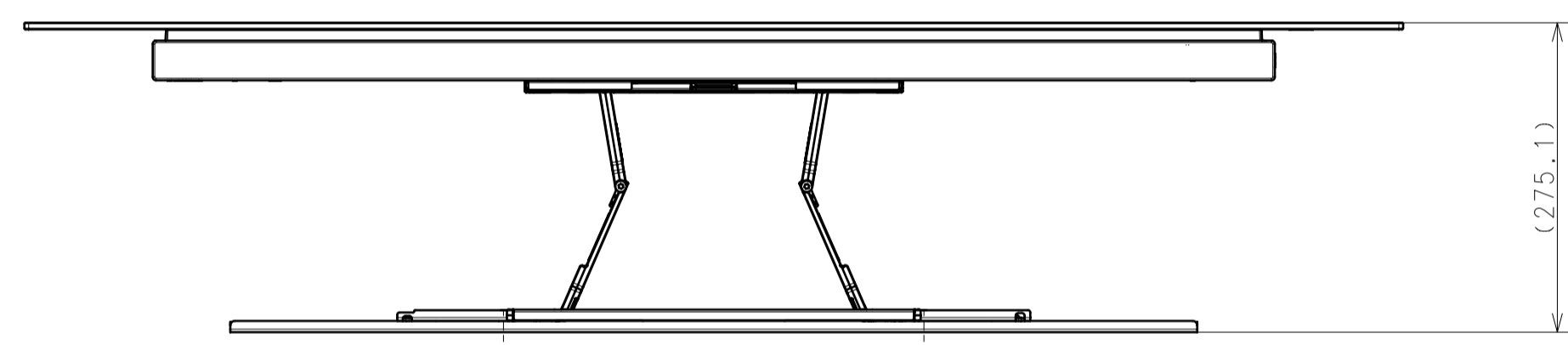
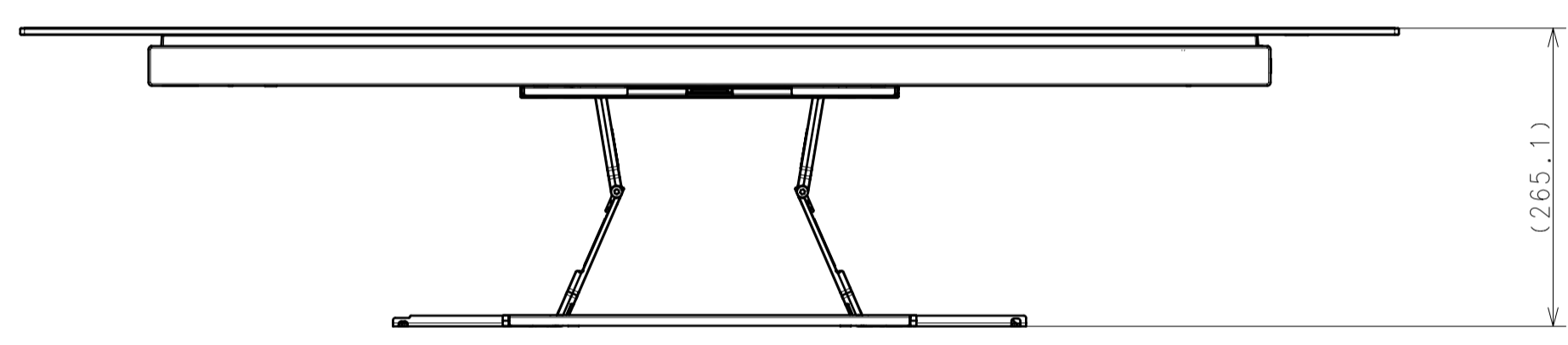
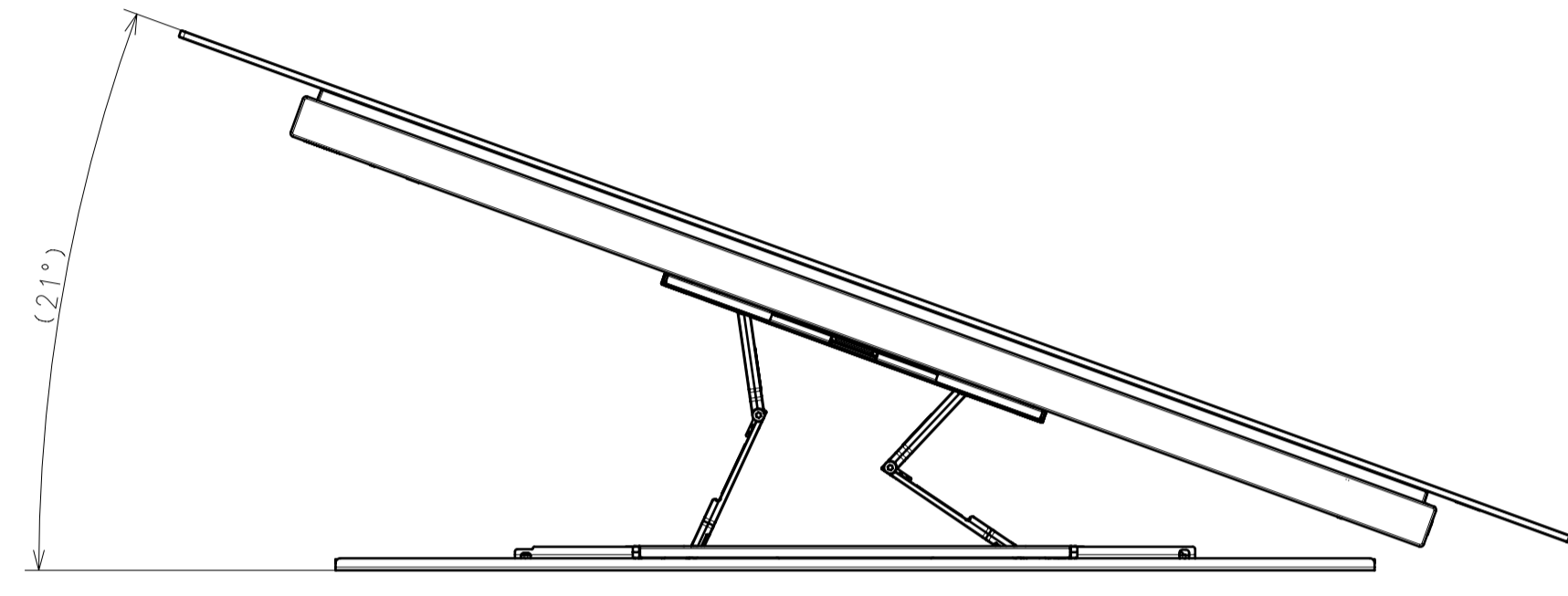
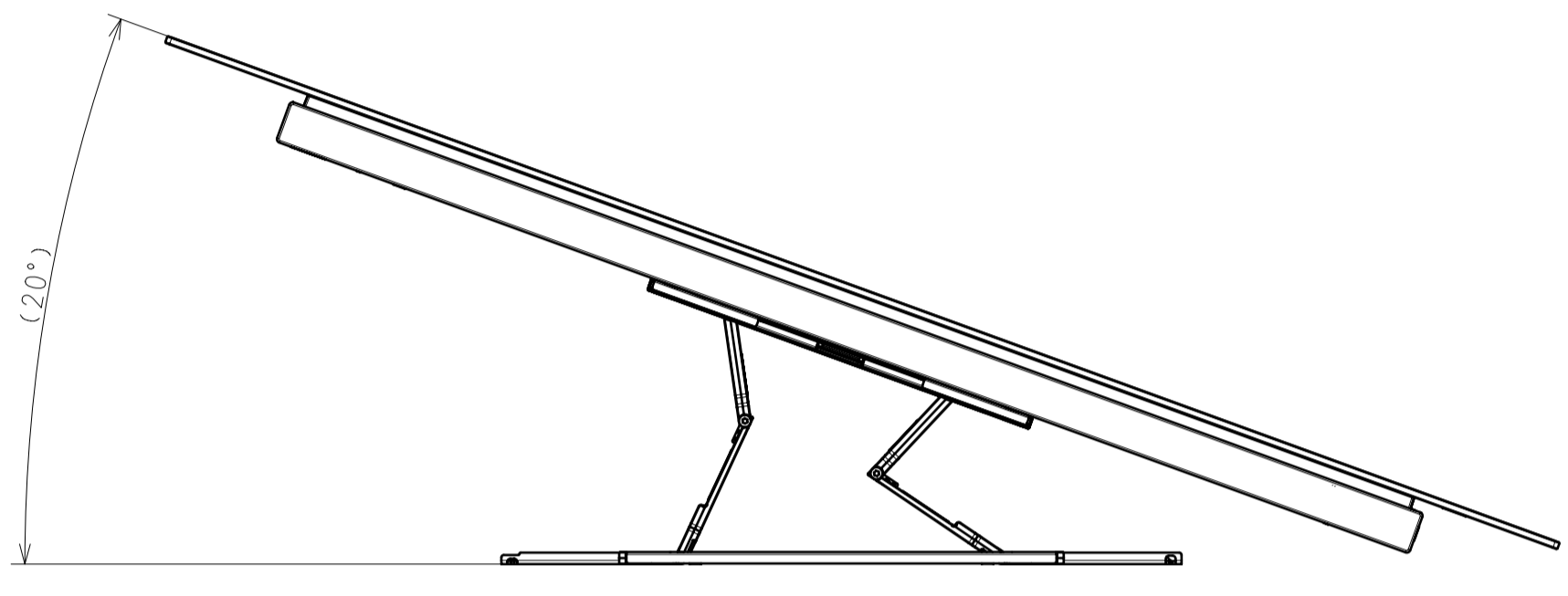
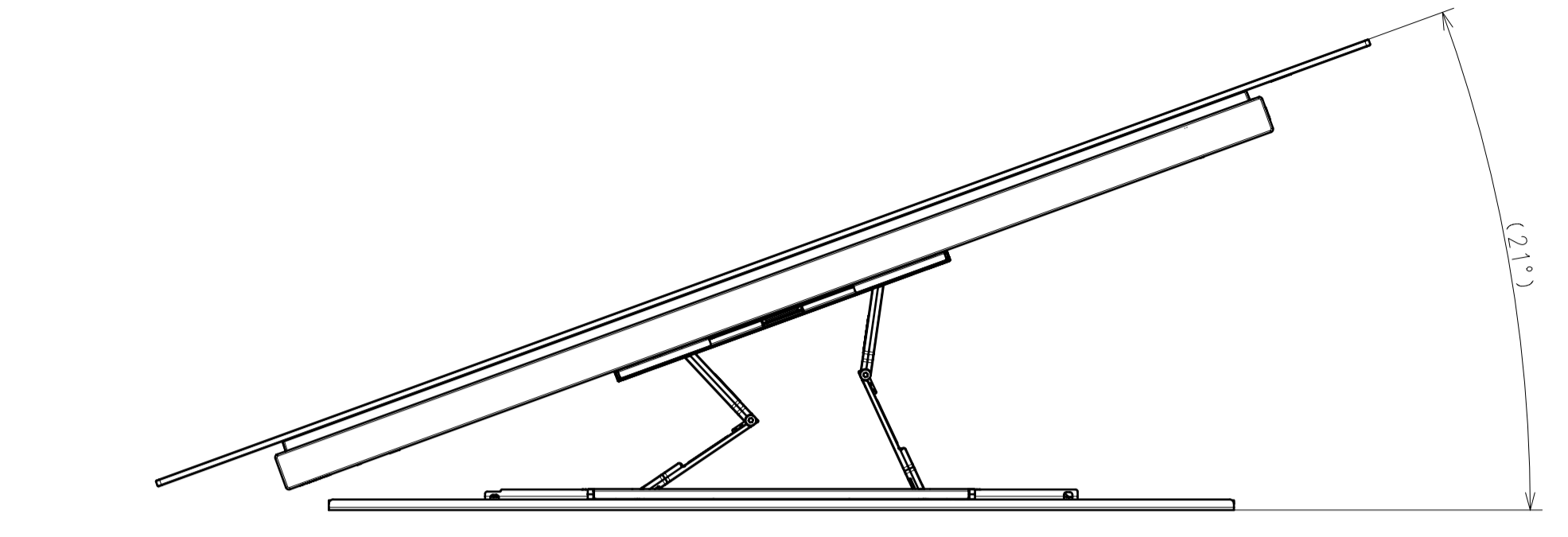
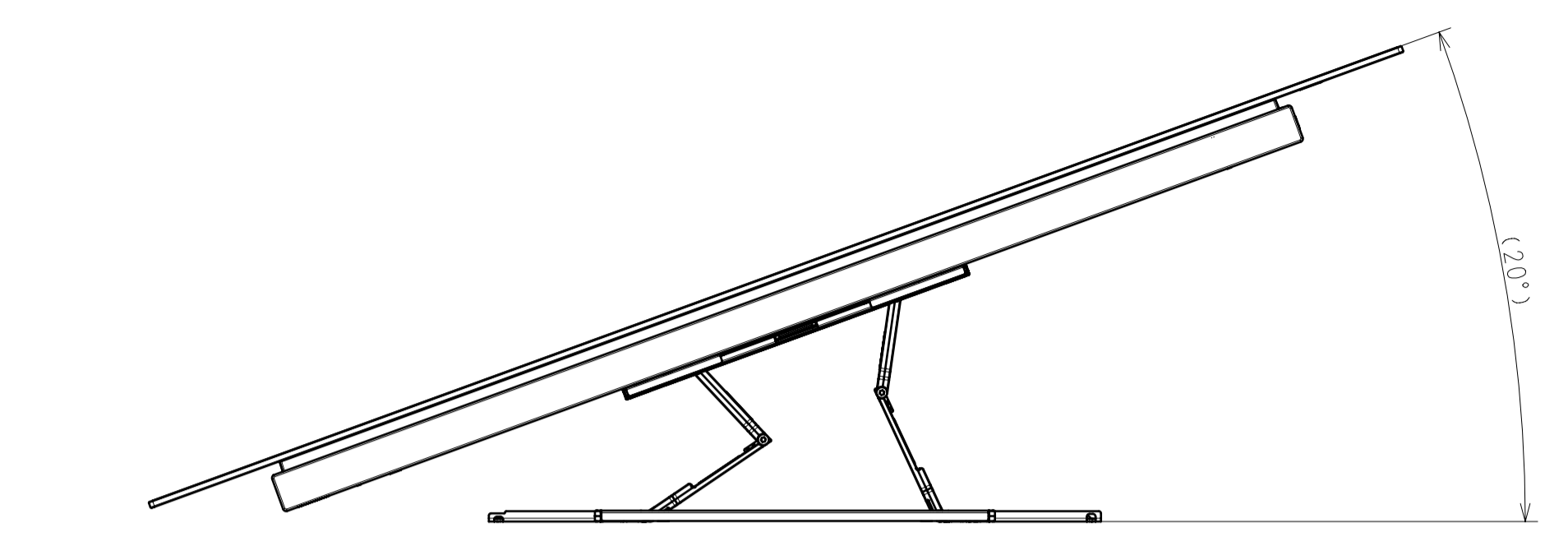


SU-WL450 STANDARD



SU-WL850

SU-WL855 with LATERAL SHAFT BRACKET



DESCRIPTION 1	55(A8H) EXTERIOR VIEW	LEGAL OWNER	Sony Corporation	SCALE	1:1
DESCRIPTION 2	55(A8H) EXTERIOR VIEW	PART NO.		SHEET/PAGES	4 / 4