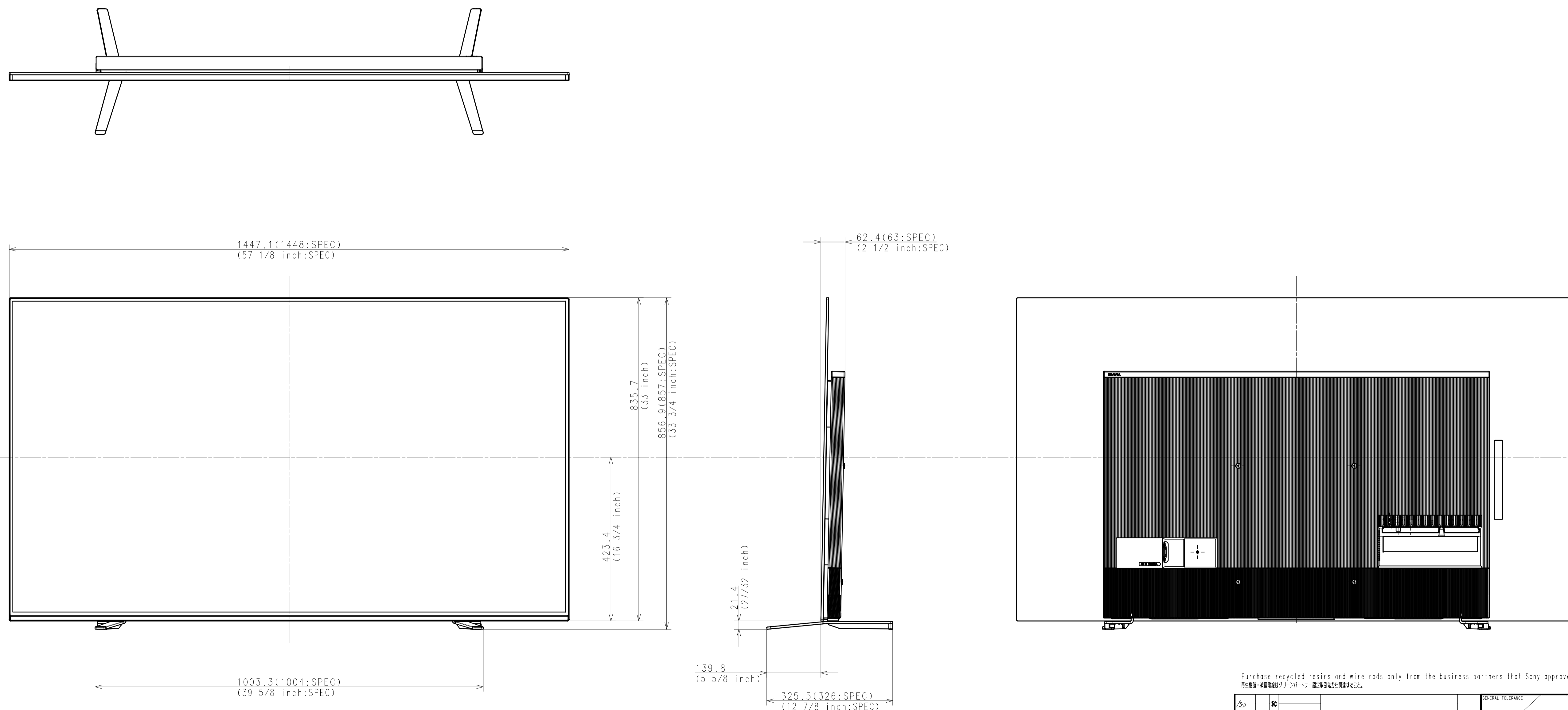


Area	JAPAN	NORTH AMERICA	LATIN AMERICA	EUROPE	EUROPE DERIVATIVE	GENERAL AREA	CHINA
Model Name	KJ-65A8H	XBR-65A8H	XBR-65A8H	KD-65A8	KD-65A87	KD-65A8H	KD-65A8H
SV No.	SV-38584	SV-38481	SV-38639	SV-38523	SV-38524	SV-38648	SV-38670
TV only (WxHxD)	144.8x83.6x5.2(0.59) cm	1448x836x52(5.9) mm / 57 1/8 x 33 x 2 1/8(1/4) inch	1448x836x52(5.9) mm	Approx. 144.8x83.6x5.2(0.59) cm	Approx. 144.8x83.6x5.2(0.59) cm	Approx. 1448x836x52(5.9) mm	Approx. 1448x836x52(5.9) mm
TV with Stand (WxHxD)	144.8(144.8)x85.7(90.8)x32.6(32.3) cm	1448(1448)x857(908)x326(323) mm / 57 1/8(57 1/8) x 33 3/4(35 3/4) x 12 7/8(12 3/4) inch	1448(1448)x857(908)x326(323) mm	Approx. 144.8(144.8)x85.7(90.8)x32.6(32.3) cm	Approx. 144.8x86.3x29.5 cm	Approx. 1448(1448)x857(908)x326(323) mm	Approx. 1448(1448)x857(908)x326(323) mm
Media Receiver (WxHxD)	-	-	-	-	-	-	-
Monitor only (WxHxD)	-	-	-	-	-	-	-
Monitor with Stand (WxHxD)	-	-	-	-	-	-	-
Media Receiver with Stand (WxHxD)	-	-	-	-	-	-	-
Satellite Speaker (WxHxD)	-	-	-	-	-	-	-
Stand Width	100.4(107.5) cm	1004(1075) mm / 39 5/8(42 3/8) inch	1004(1075) mm	Approx. 100.4(107.5) cm	Approx. 85.5 cm	Approx. 1004(1075) mm	Approx. 1004(1075) mm
VESA Hole Pitch	30.0x30.0 cm	300x300 mm / 11 7/8 x 11 7/8 inch	300x300 mm	30.0x30.0 cm	30.0x30.0 cm	300x300 mm	300x300 mm
TV Only	21.8 Kg	21.8 Kg / 48.1 lb	21.8 Kg	Approx. 21.8 Kg	Approx. 21.8 Kg	Approx. 21.8 Kg	Approx. 21.8 Kg
TV With Stand	23.6 Kg	23.6 Kg / 52 lb	23.6 Kg	Approx. 23.6 Kg	Approx. 23.2 Kg	Approx. 23.6 Kg	Approx. 23.6 Kg
Media Receiver	-	-	-	-	-	-	-
Monitor Only	-	-	-	-	-	-	-
Monitor With Stand	-	-	-	-	-	-	-
Media Receiver with Stand	-	-	-	-	-	-	-
Satellite Speaker	-	-	-	-	-	-	-
Remarks							

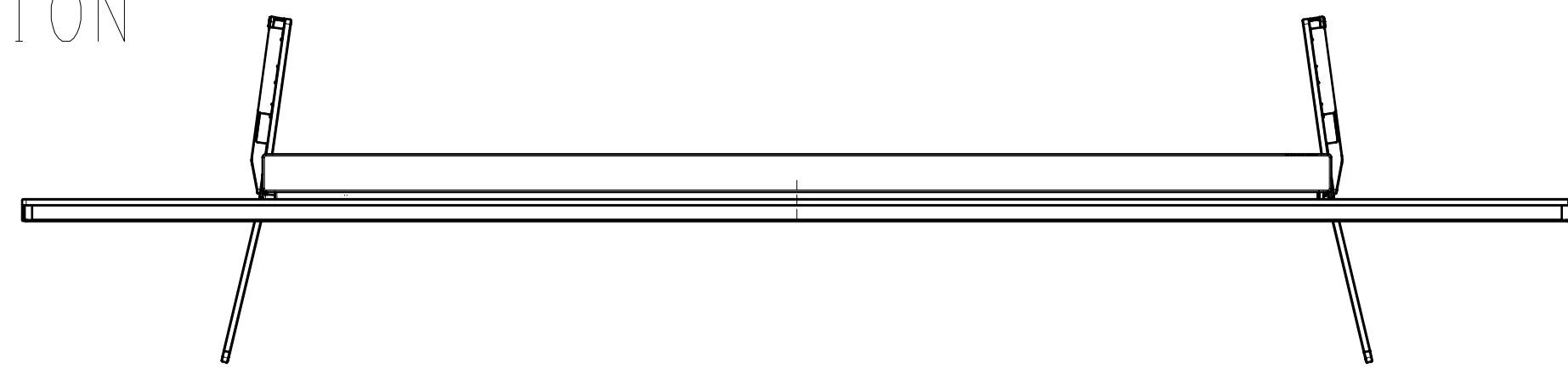
WITH STAND
STANDARD POSITION



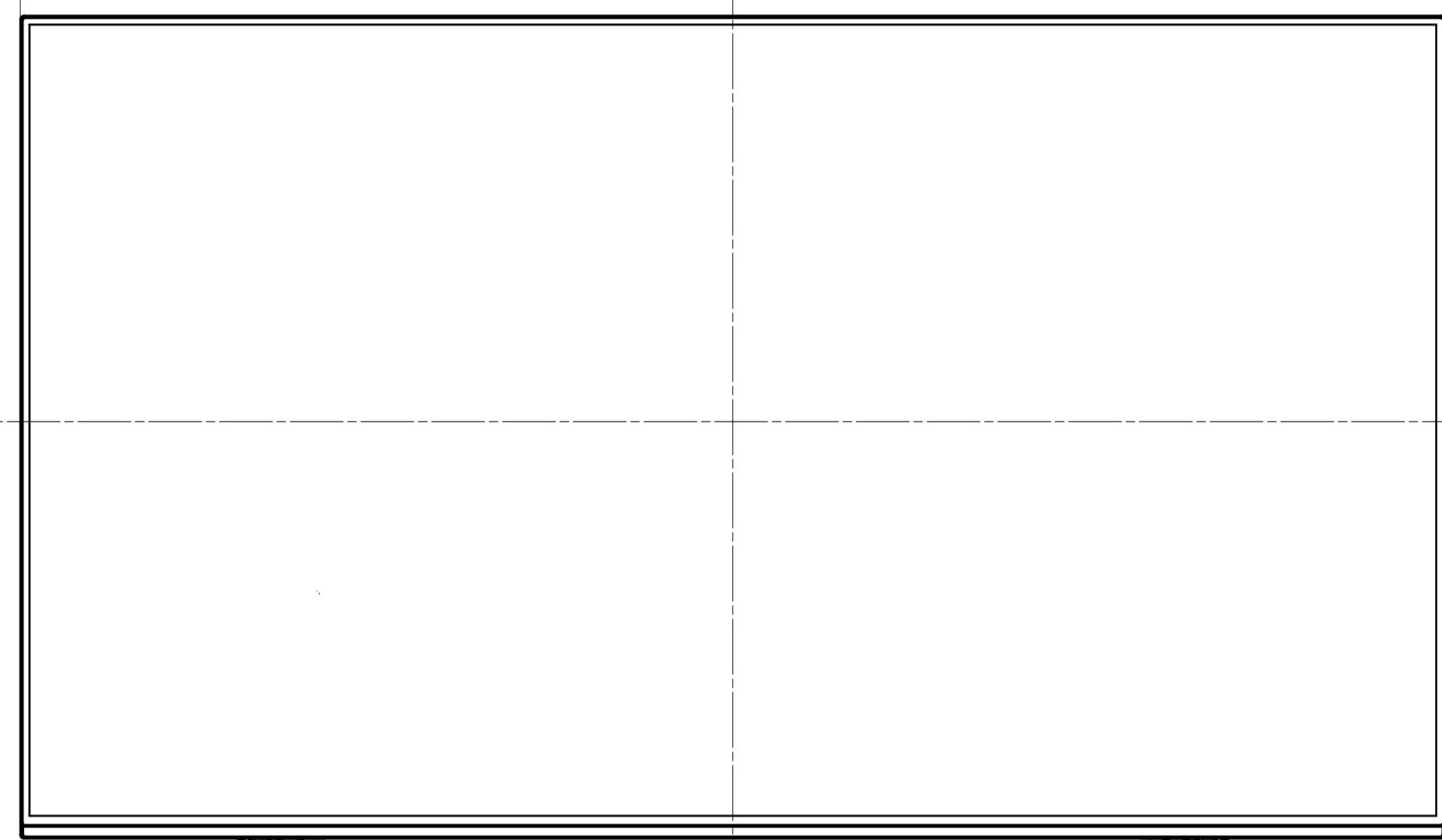
Purchase recycled resins and wire rods only from the business partners that Sony approves as Green Partners.
再生樹脂・鋼線鋼材はグリーンパートナー 協賛認定された業者から購入してください。

△A	△B	△C	△D	△E	△F	△G	△H	△I	△J	△K	△L	△M	△N	△O	△P	△Q	△R	△S	△T	△U	△V	△W	△X	△Y	△Z																
HISTORY X COUNT												SUFFIX REV. NO.		RELEASE NO. DATE		REVISION		SIGN.		MATERIAL COLOR		FINISH COLOR		GENERAL TOLERANCE		DATE OF ISSUE 2019.11.26		DOCUMENT TYPE PART		TOLERANCING DRAWING (JIS & ISO/IEC 0015)											
RESPONSIBLE DEPARTMENT SHES TV Div.												ORIGINAL MODEL		DESCRIPTION 65(A8H) EXTERIOR VIEW		PLANNED BY 2019.11.26 Yoshikazu Hashimoto		CHECKED BY		APPROVED BY		SCALE 1:6		TENTATIVE MODEL		DESCRIPTION 65(A8H) EXTERIOR VIEW		DRAWN BY 2019.11.26 Yoshikazu Hashimoto		SIZE A1		UNIT mm		PART NO.		SUFFIX		REV. NO. 1 / 4		SHEET/PAGES	

WITH STAND
SOUND BAR POSITION



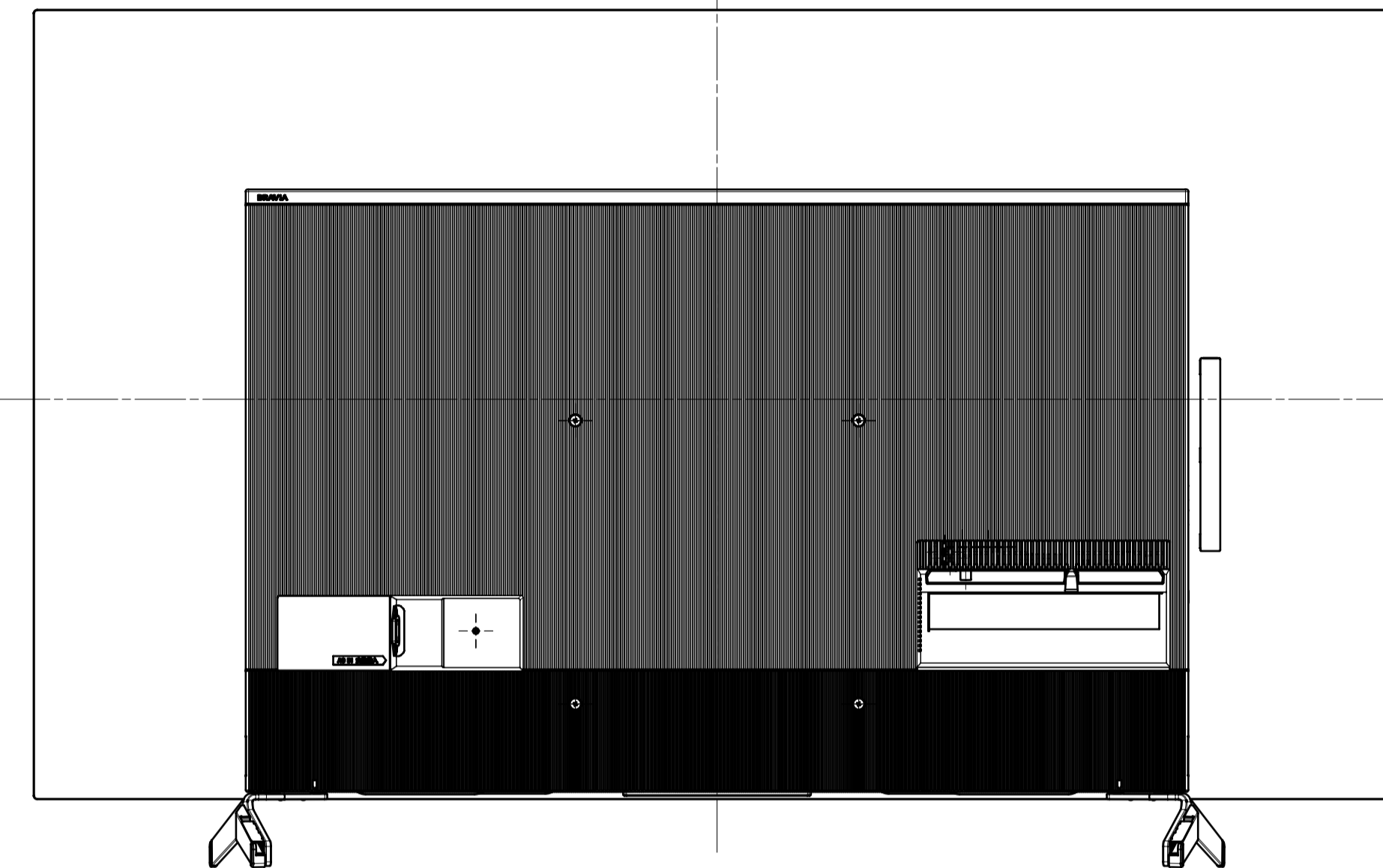
1447,1 (1448:SPEC)
(57 1/8 inch:SPEC)



835,7 (33 inch)
907,3 (908:SPEC)
(35 3/4 inch:SPEC)
423,4 (16 3/4 inch)

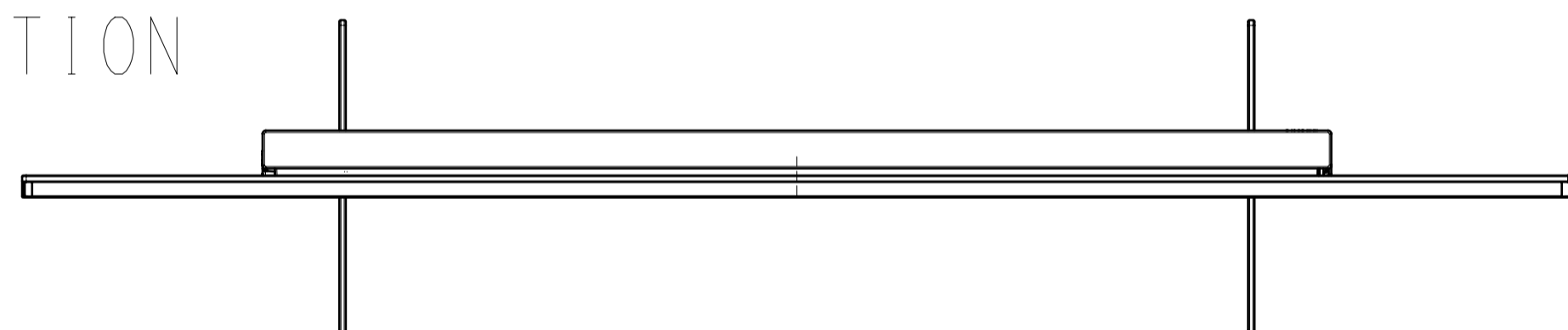
62,4 (63:SPEC)
(2 1/2 inch:SPEC)

71,5 (2 7/8 inch)
132 (5 1/4 inch)
322,7 (323:SPEC)
(12 3/4 inch:SPEC)

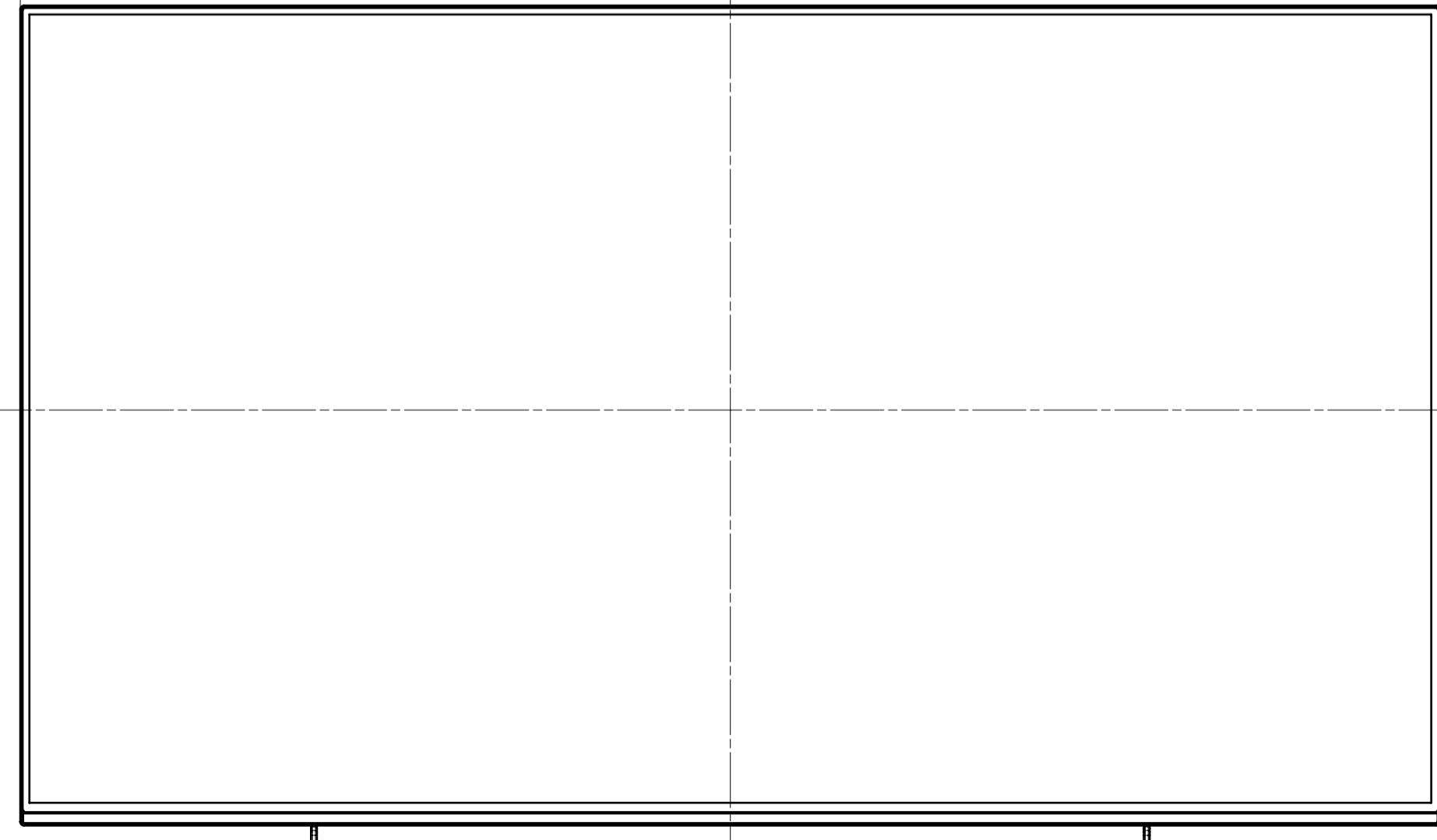


DRAWING

WITH STAND
DERIVATIVE POSITION



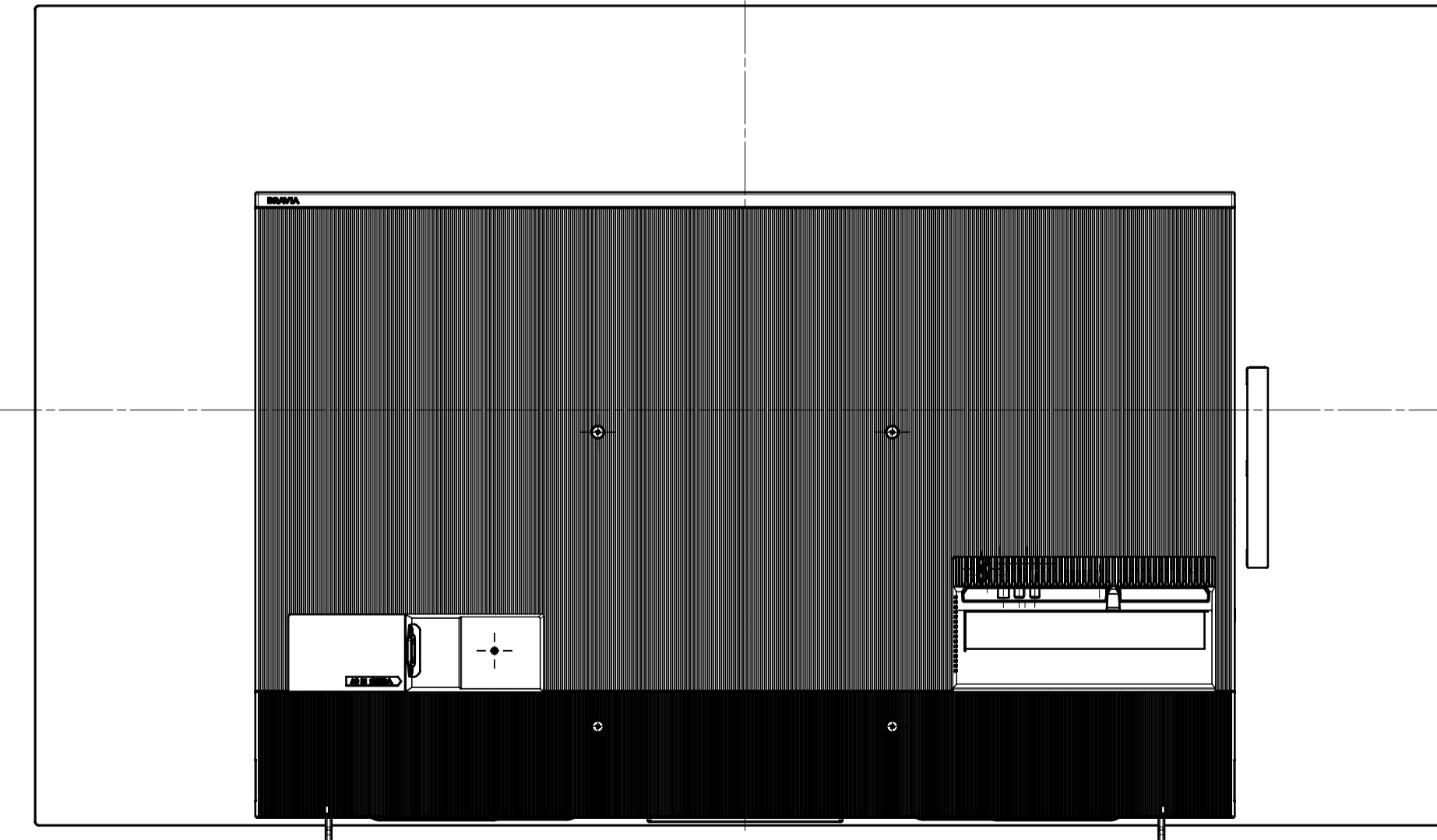
1447,1 (1448:SPEC)
(57 1/8 inch:SPEC)



835,7 (33 inch)
862,3 (863:SPEC)
(34 inch:SPEC)
423,4 (16 3/4 inch)

62,4 (63:SPEC)
(2 1/2 inch:SPEC)

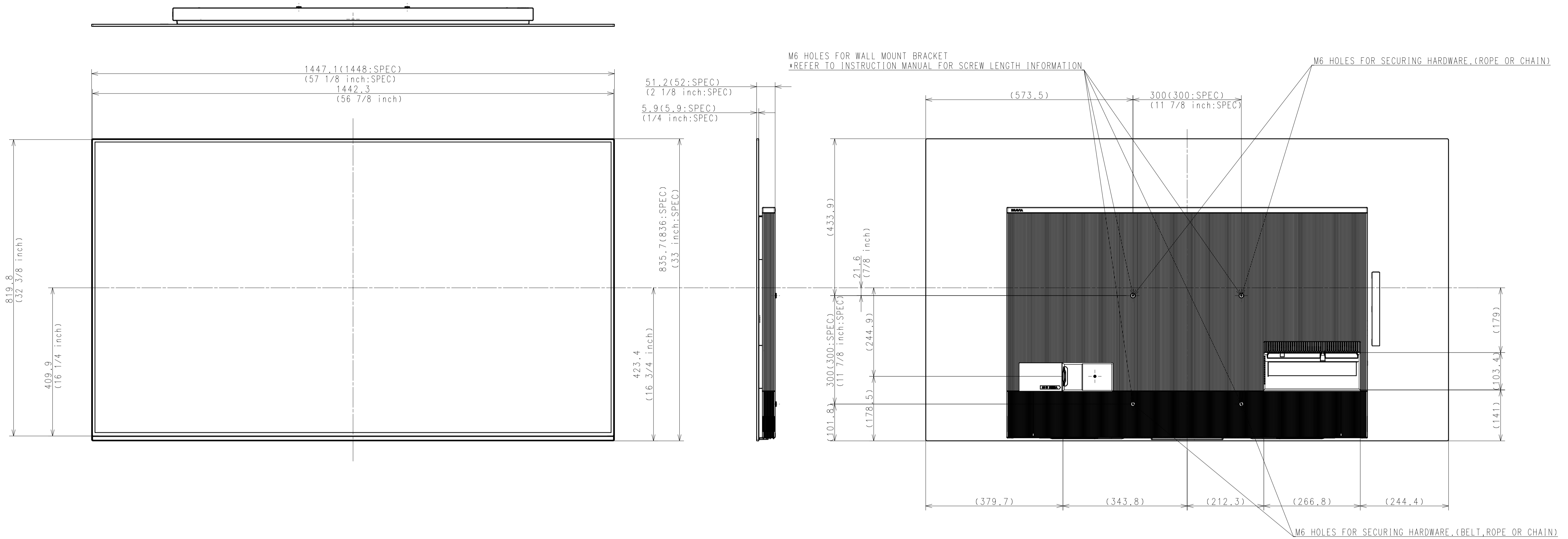
26,7 (1 1/16 inch)
129,5 (5 1/8 inch)
295 (295:SPEC)
(11 5/8 inch:SPEC)



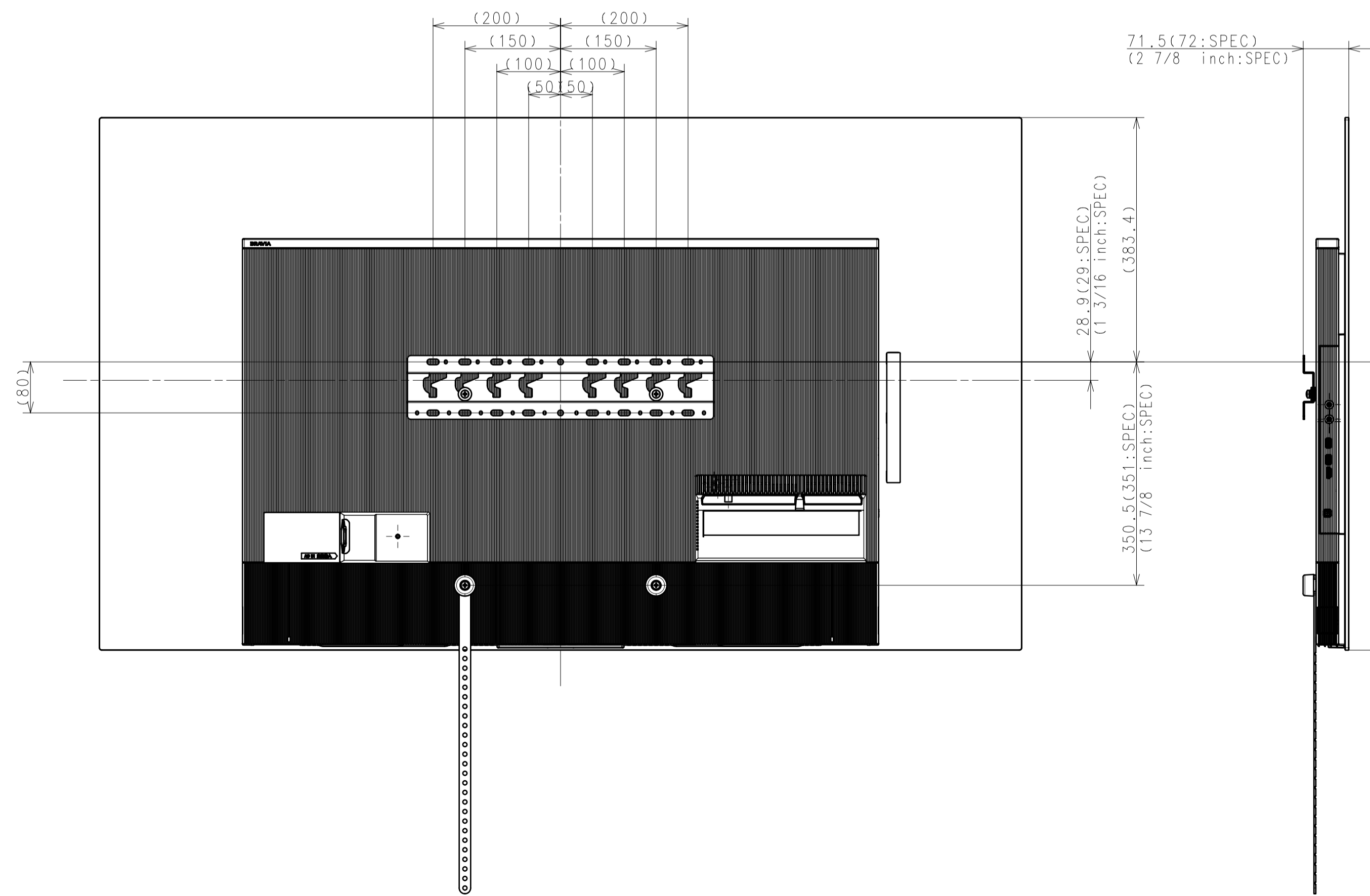
SONY STANDARD

DESCRIPTION 1	65(A8H) EXTERIOR VIEW	LEGAL OWNER	Sony Corporation	SCALE	1:6
DESCRIPTION 2	65(A8H) EXTERIOR VIEW	PART NO.		SHEET/PAGES	2 / 4

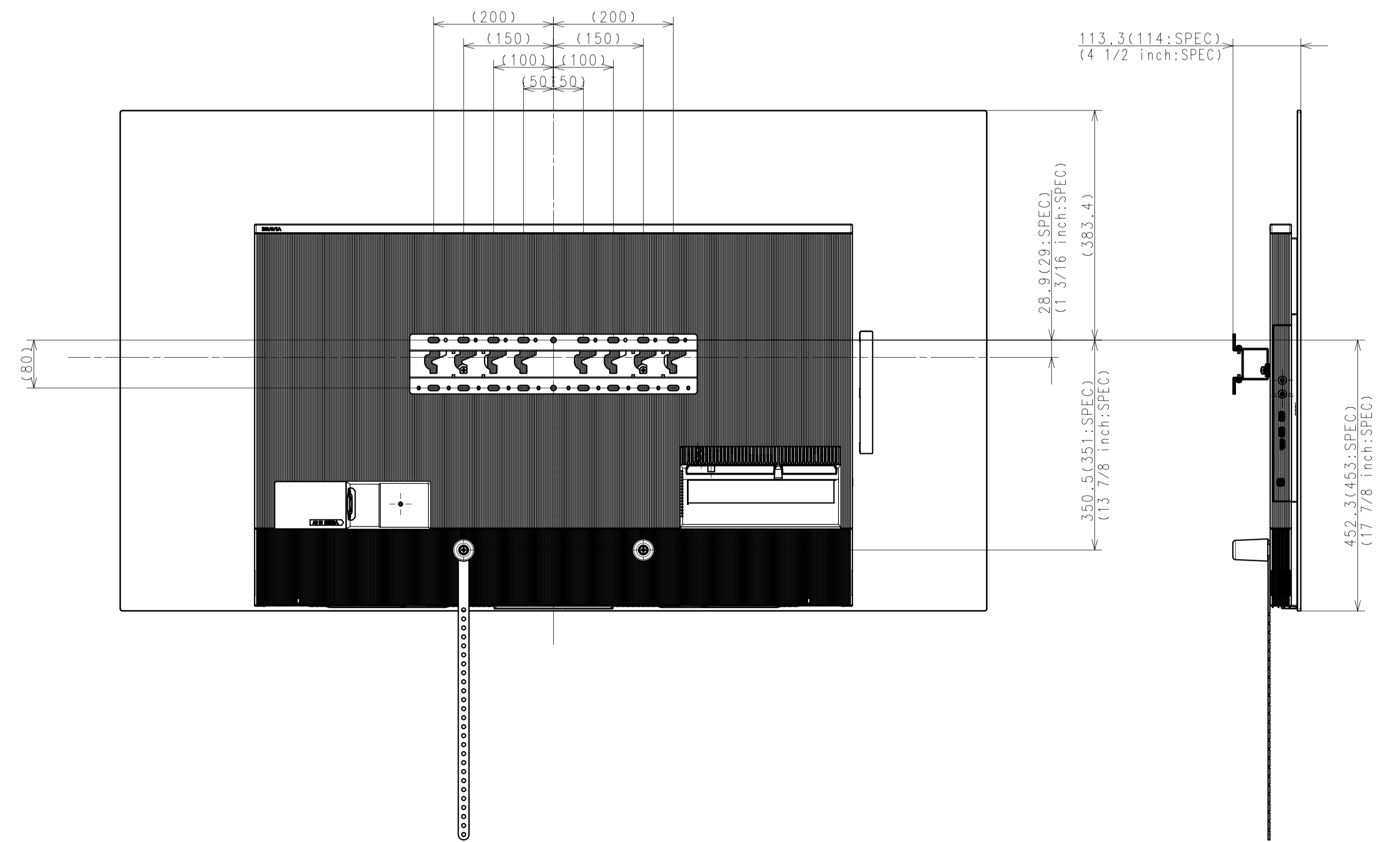
WITHOUT STAND



SU-WL450 SLIM



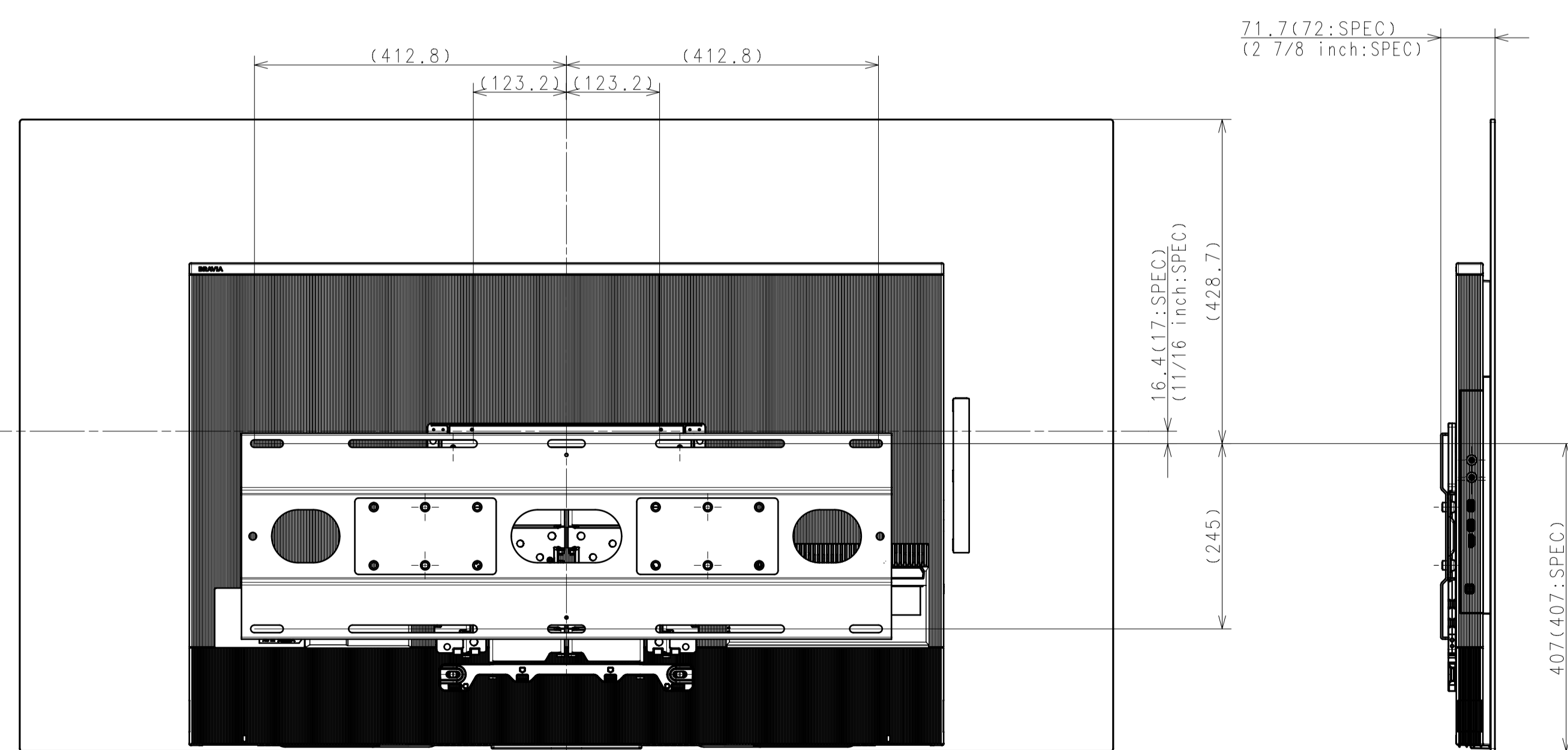
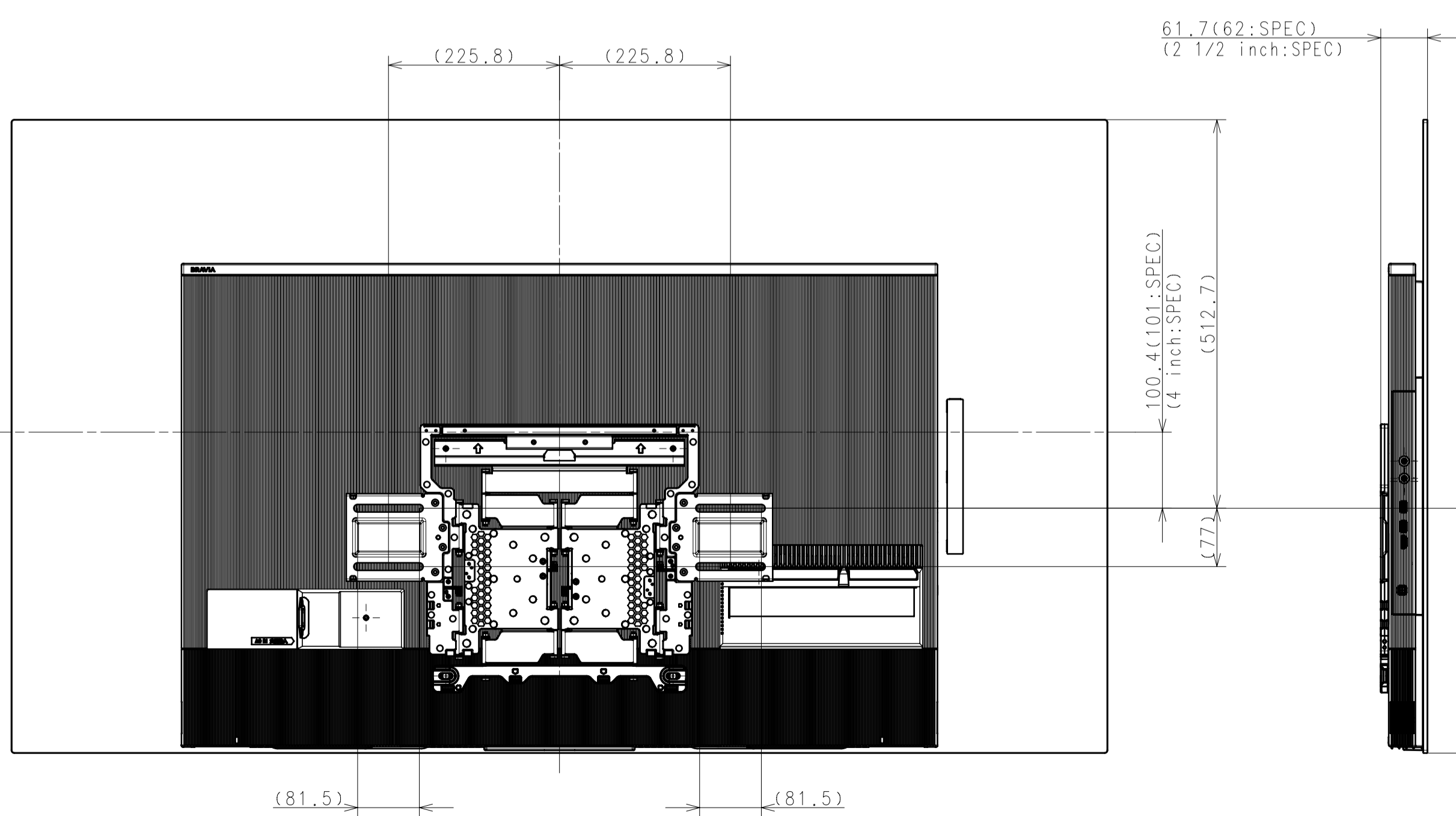
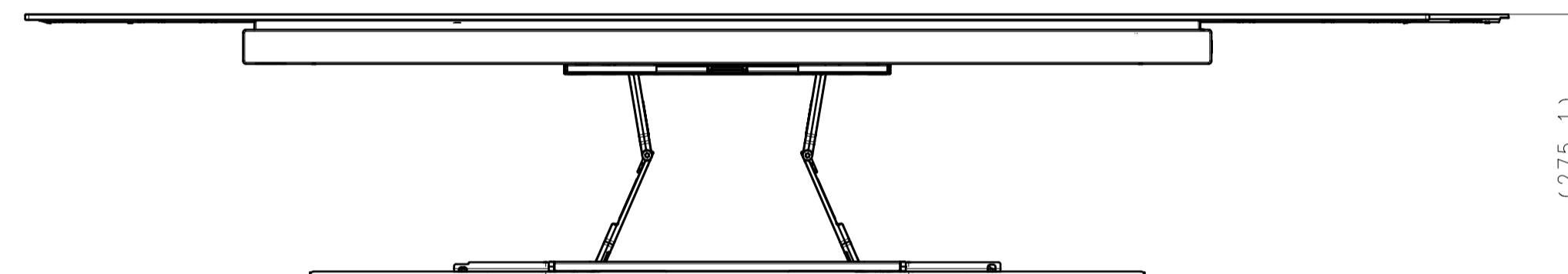
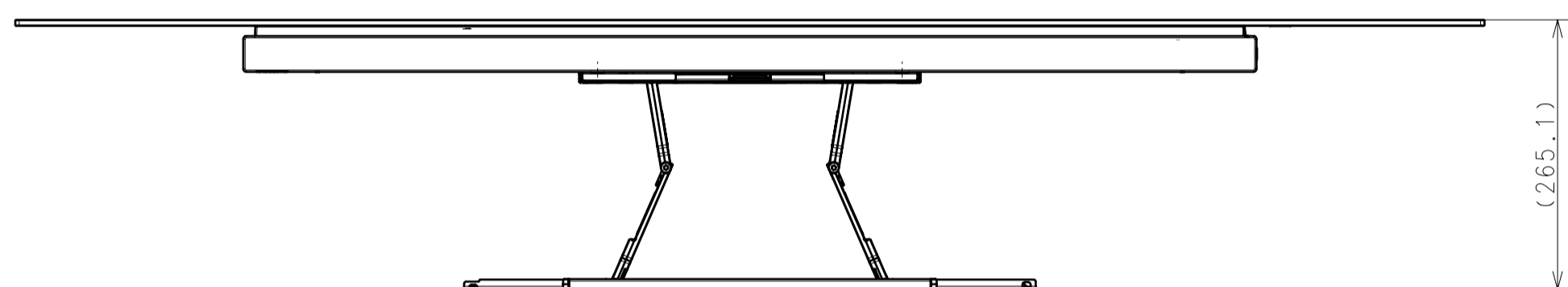
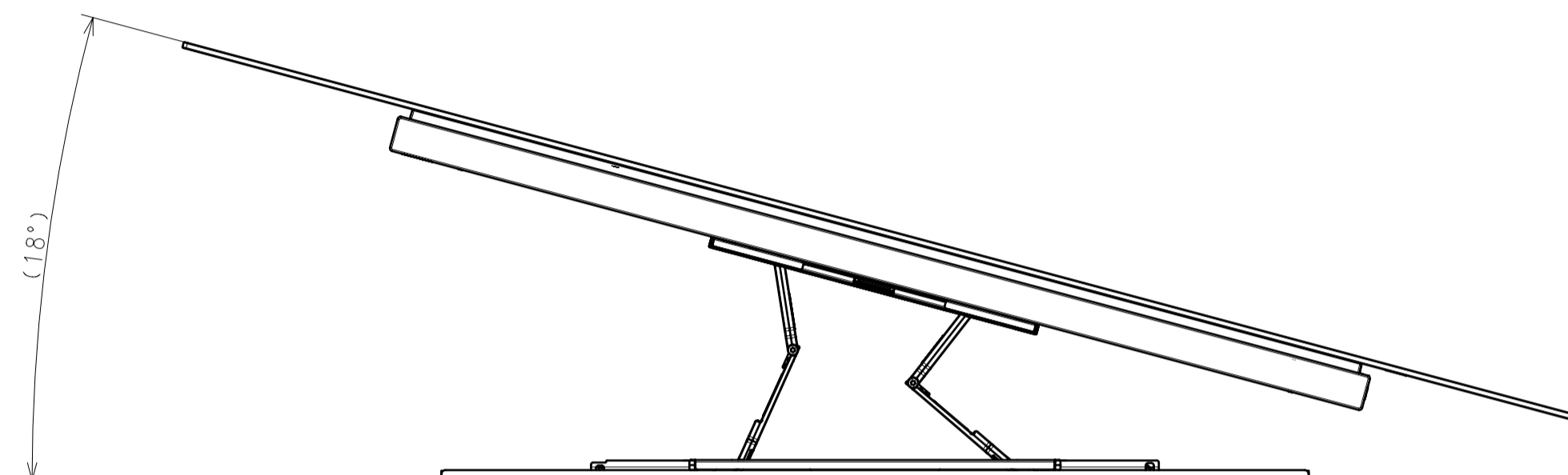
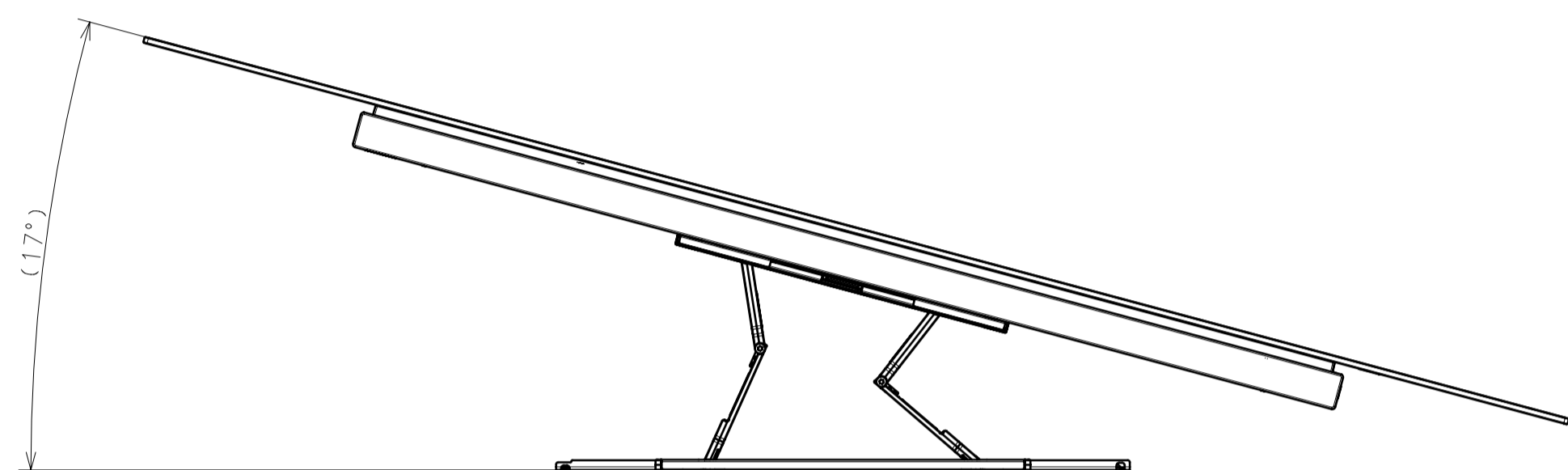
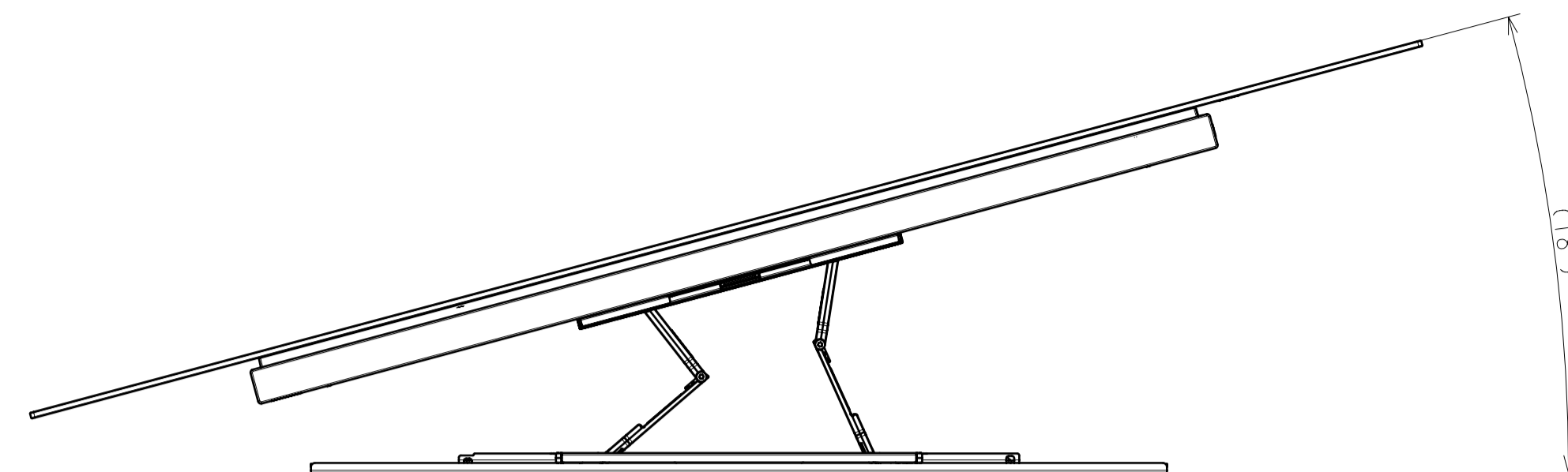
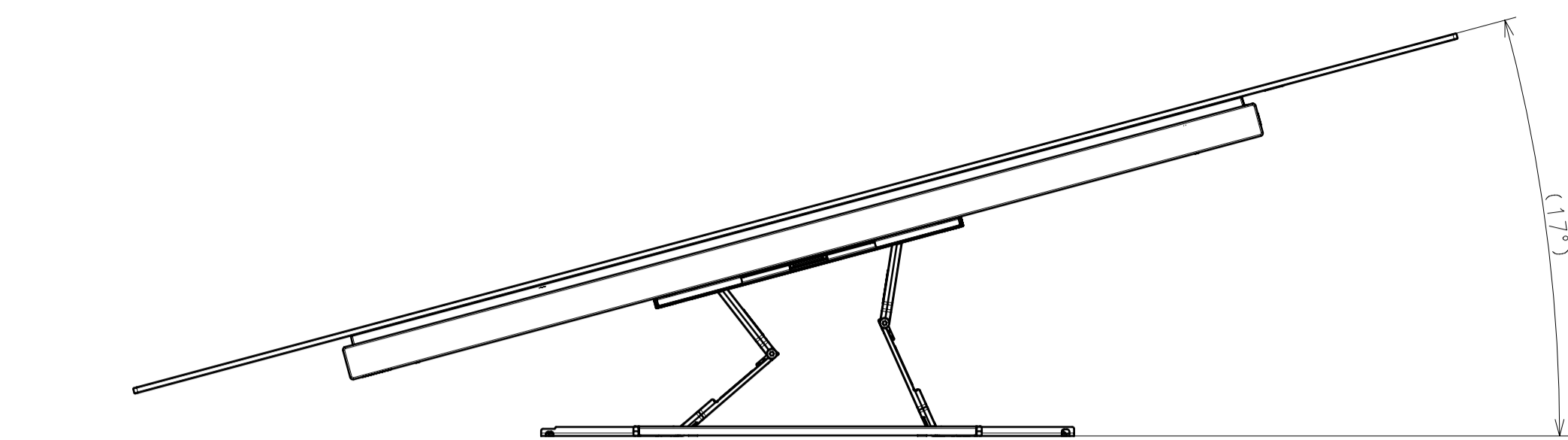
SU-WL450 STANDARD



DESCRIPTION 1	65(A8H) EXTERIOR VIEW	LEGAL OWNER	Sony Corporation	SCALE	1:6
DESCRIPTION 2	65(A8H) EXTERIOR VIEW	PART NO.		SHEET/PAGES	3 / 4

SU-WL850

SU-WL855 with LATERAL SHAFT BRACKET



DESCRIPTION:	65(A8H) EXTERIOR VIEW	LEGAL OWNER:	Sony Corporation	SCALE:	1:1
DESCRIPTION:	65(A8H) EXTERIOR VIEW	PART NO.:		SHEET/PAGES:	4 / 4