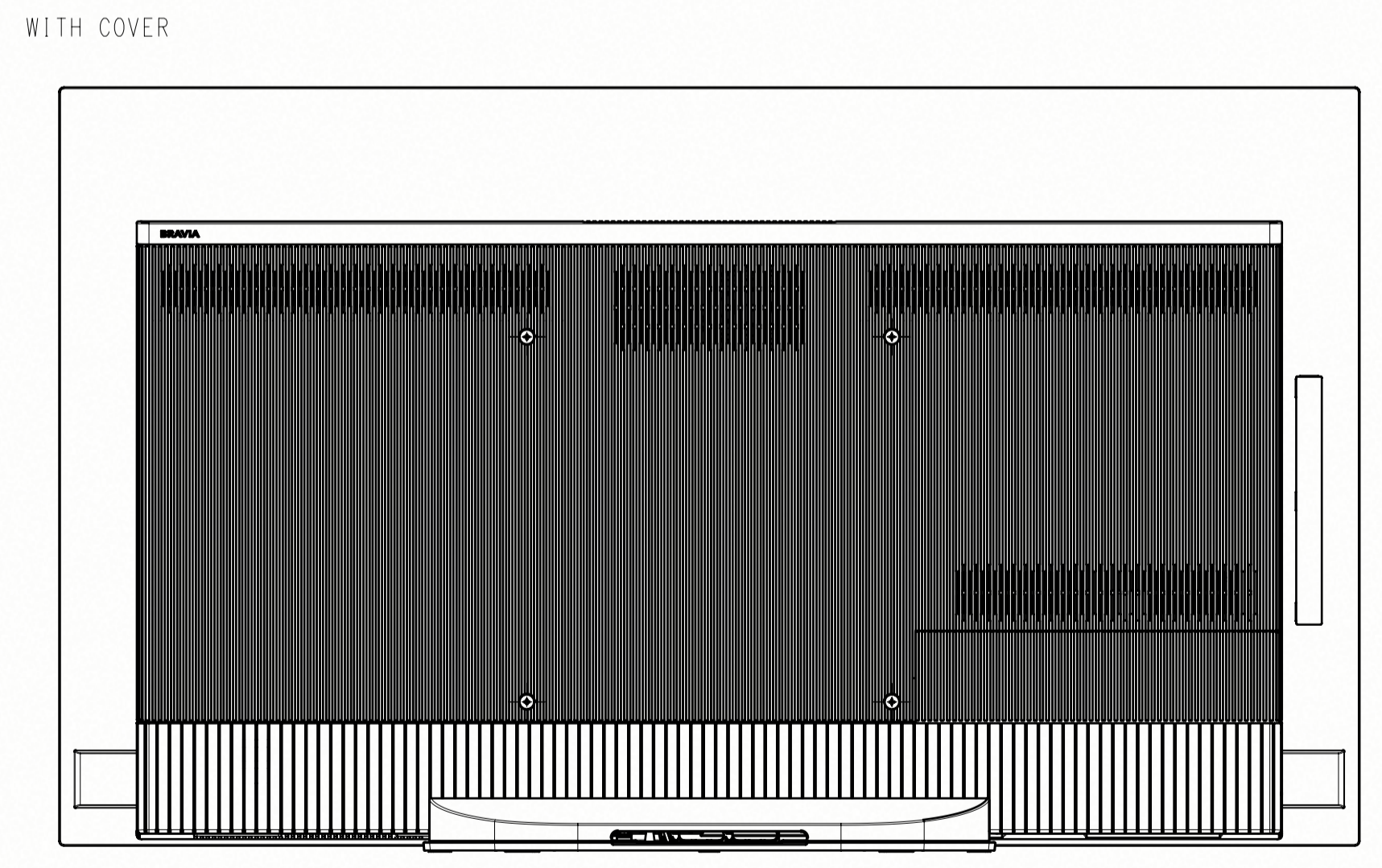
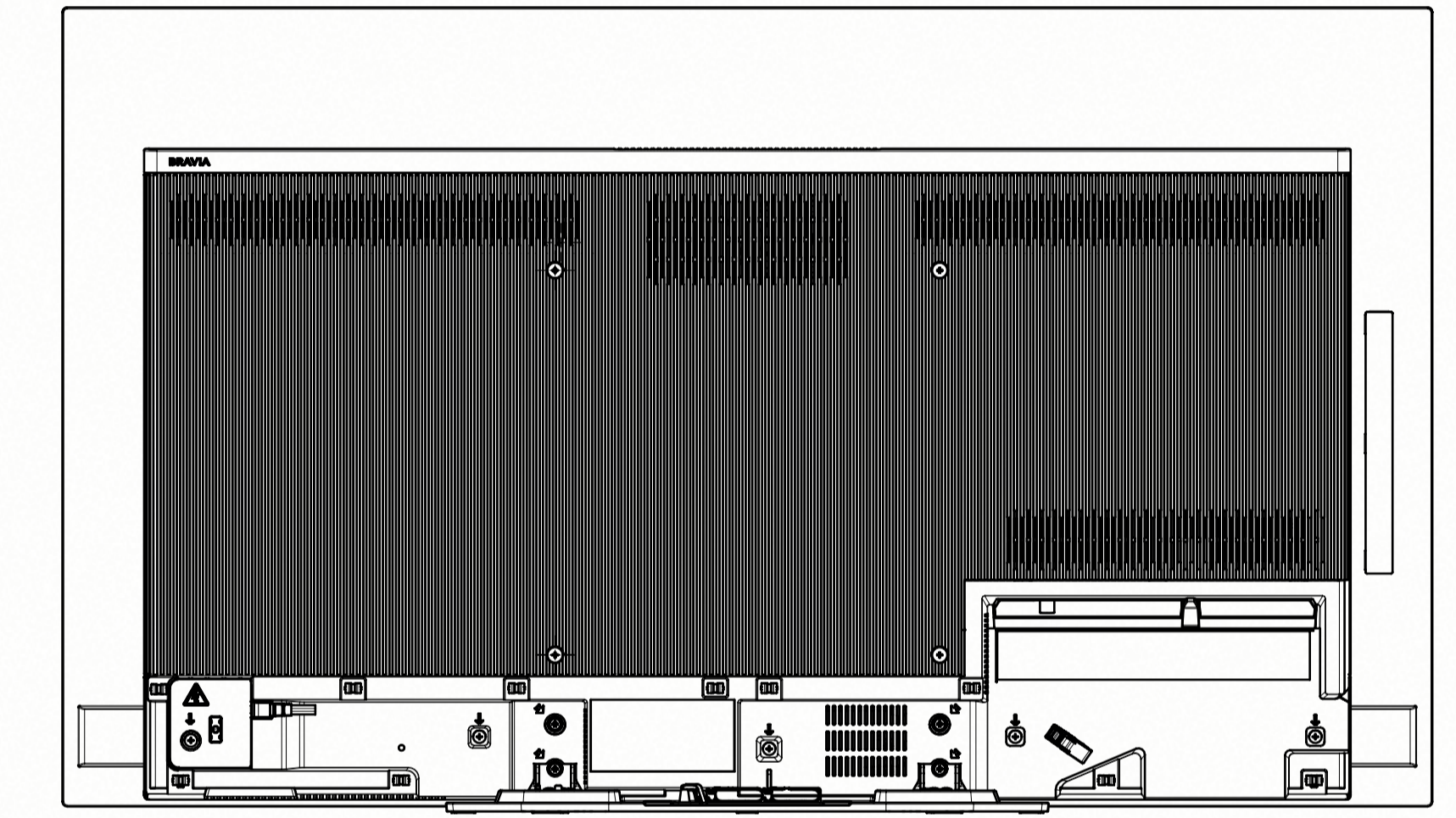
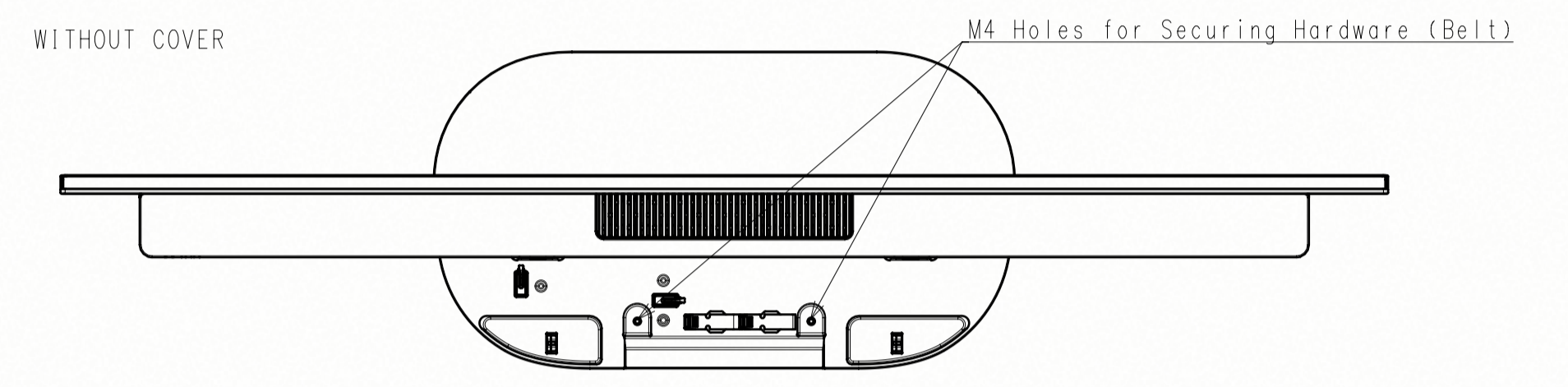
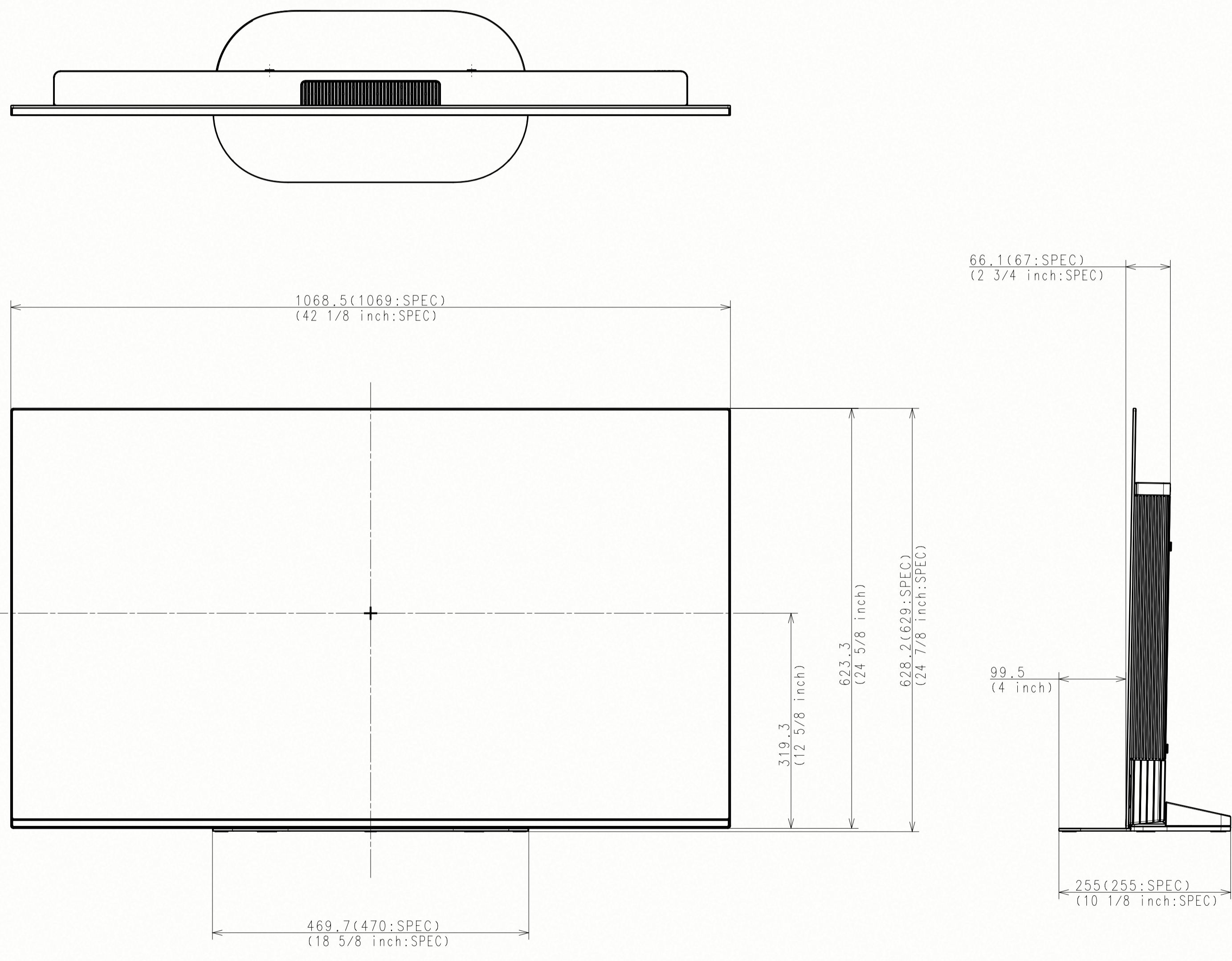


Area	JAPAN	NORTH AMERICA	EUROPE	GENERAL AREA	
Model Name	KJ-48A9S	XBR-48A9S	KD-48A9	KD-48A9S	
SV No.	SV-38593	SV-38750	SV-38611	SV-38751	
DIMENSION	TV only (WxHxD)	106.9x62.4x5.8(0.42) cm	1069x624x58(4.2) mm / 42 1/8 x 24 5/8 x 2 3/8(3/16) inch	Approx. 106.9x62.4x5.8(0.42) cm	
	TV with Stand (WxHxD)	106.9x62.9x25.5 cm	1069x629x255 mm / 42 1/8 x 24 7/8 x 10 1/8 inch	Approx. 106.9x62.9x25.5 cm	
	Media Receiver (WxHxD)	-	-	-	-
	Monitor only (WxHxD)	-	-	-	-
	Monitor with Stand (WxHxD)	-	-	-	-
	Media Receiver with Stand (WxHxD)	-	-	-	-
	Satellite Speaker (WxHxD)	-	-	-	-
WEIGHT	Stand Width	47.0 cm	470 mm / 18 5/8 inch	Approx. 47.0 cm	
	VESA Hole Pitch	30.0x30.0 cm	300x300 mm / 11 7/8 x 11 7/8 inch	300x300 mm	
REMARKS	TV Only	13.9 Kg	13.9 Kg / 30.7 lb	Approx. 13.9 Kg	
	TV With Stand	17.6 Kg	17.6 Kg / 38.8 lb	Approx. 17.6 Kg	
	Media Receiver	-	-	-	-
	Monitor Only	-	-	-	-
	Monitor With Stand	-	-	-	-
	Media Receiver with Stand	-	-	-	
	Satellite Speaker	-	-	-	

WITH STAND



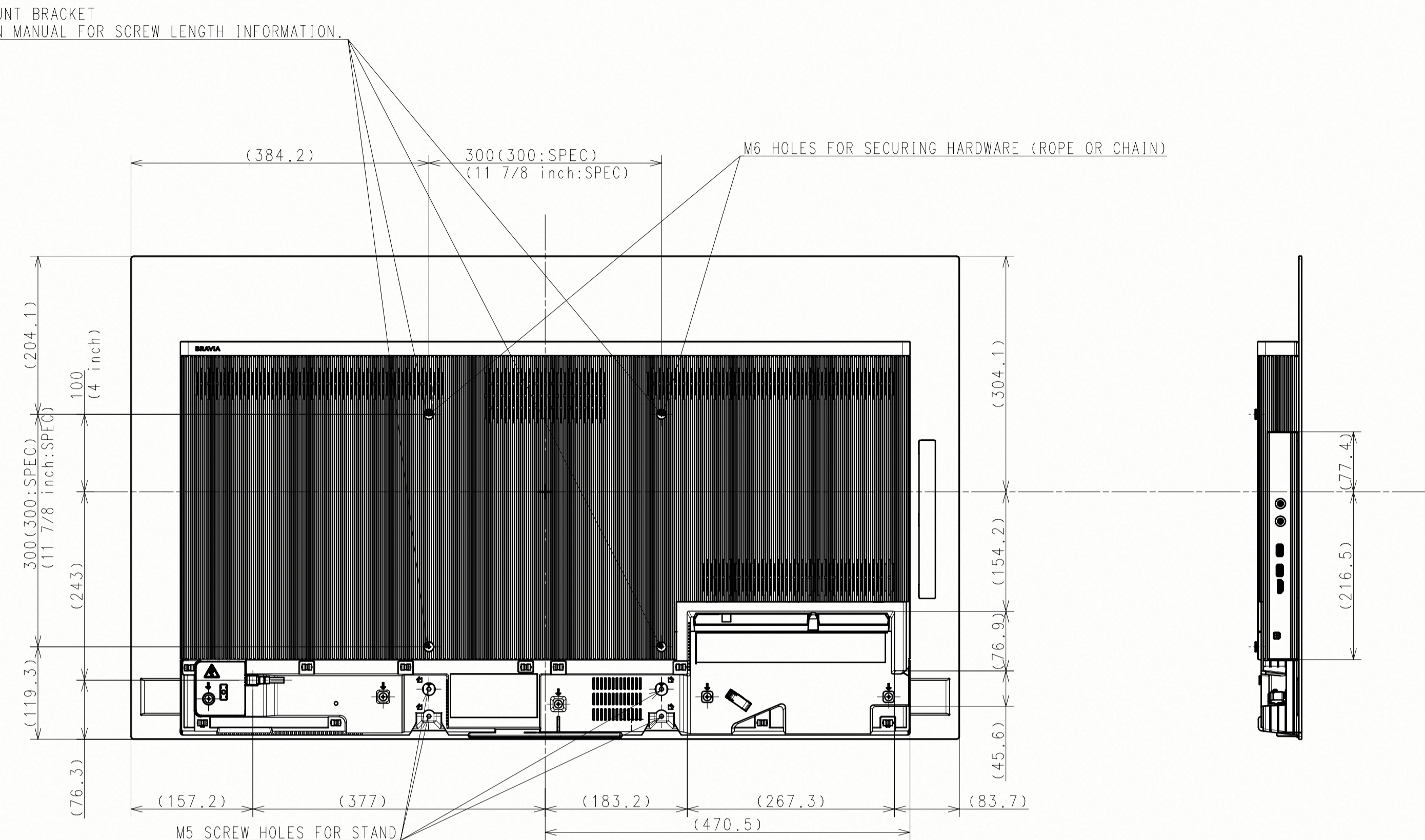
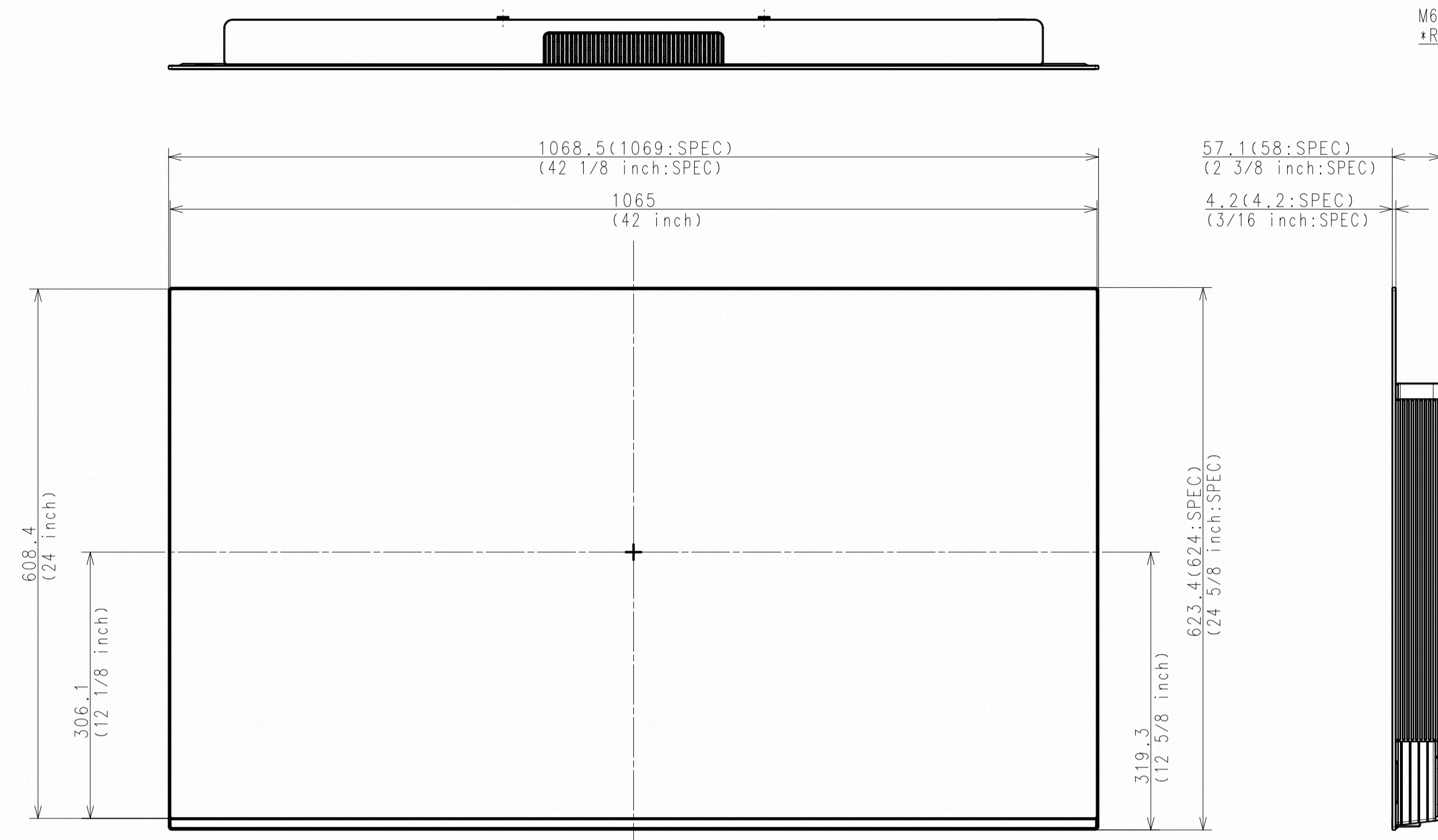
Purchase recycled resins and wire rods only from the business partners that Sony approves as Green Partners.

DATE OF ISSUE	DOCUMENT TYPE	PART	DRAWING	FINISH(COLOR)
2020.02.14		48(A9S) EXTERIOR VIEW		
		48(A9S) EXTERIOR VIEW		

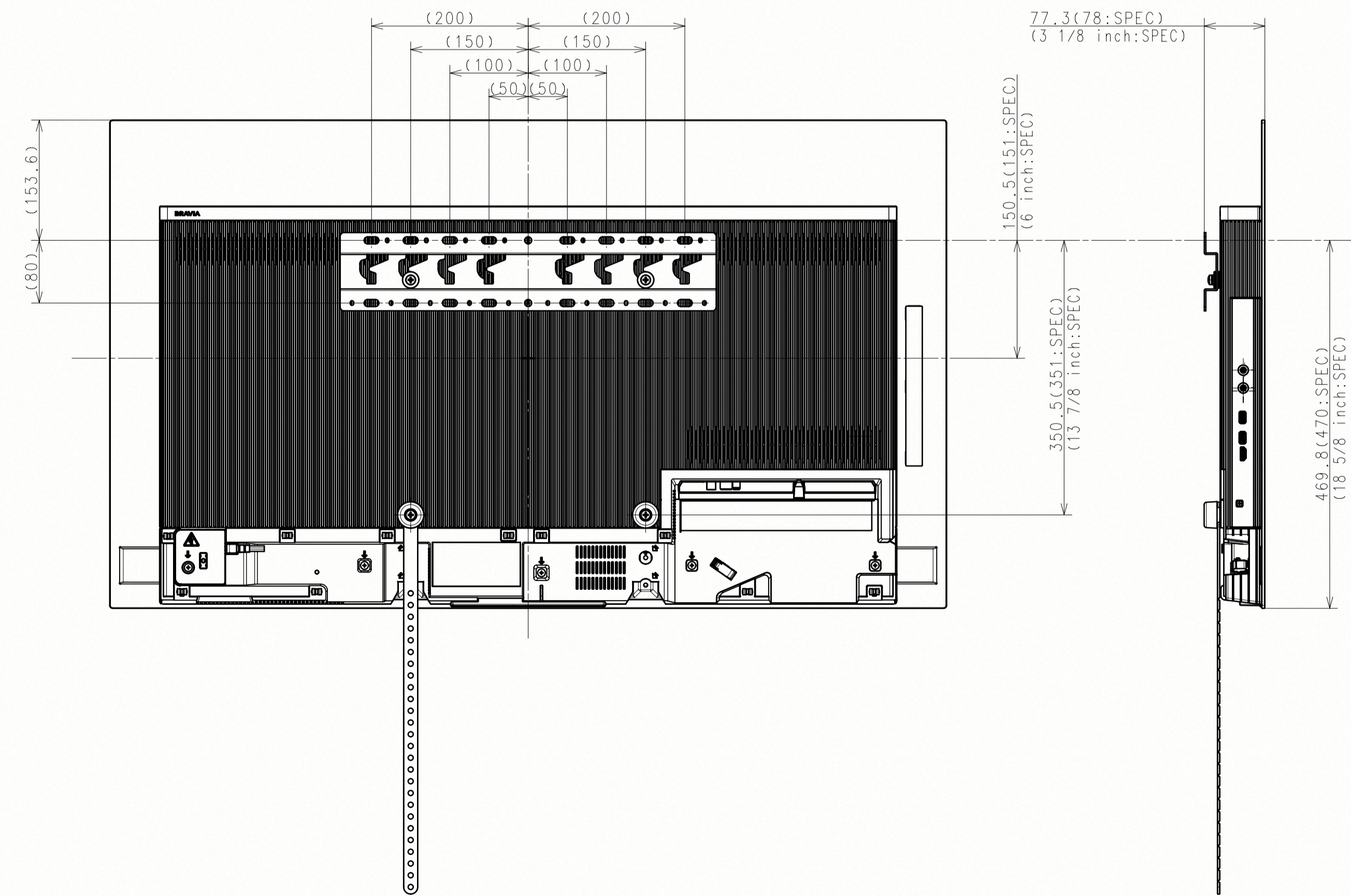
REVISION	DATE	REVISION	DATE

RESPONSIBLE DEPARTMENT	ORIGINAL MODEL	DESCRIPTION
SHES TV Div.	48(A9S)	48(A9S) EXTERIOR VIEW
PLANNED BY	CHECKED BY	APPROVED BY
2020.02.14		
SCALE	TENTATIVE MODEL	SIZE
1:5		A1
UNIT	PART NO.	SUFFIX
mm		
SHEET/PAGES	REV. NO.	
1/3		

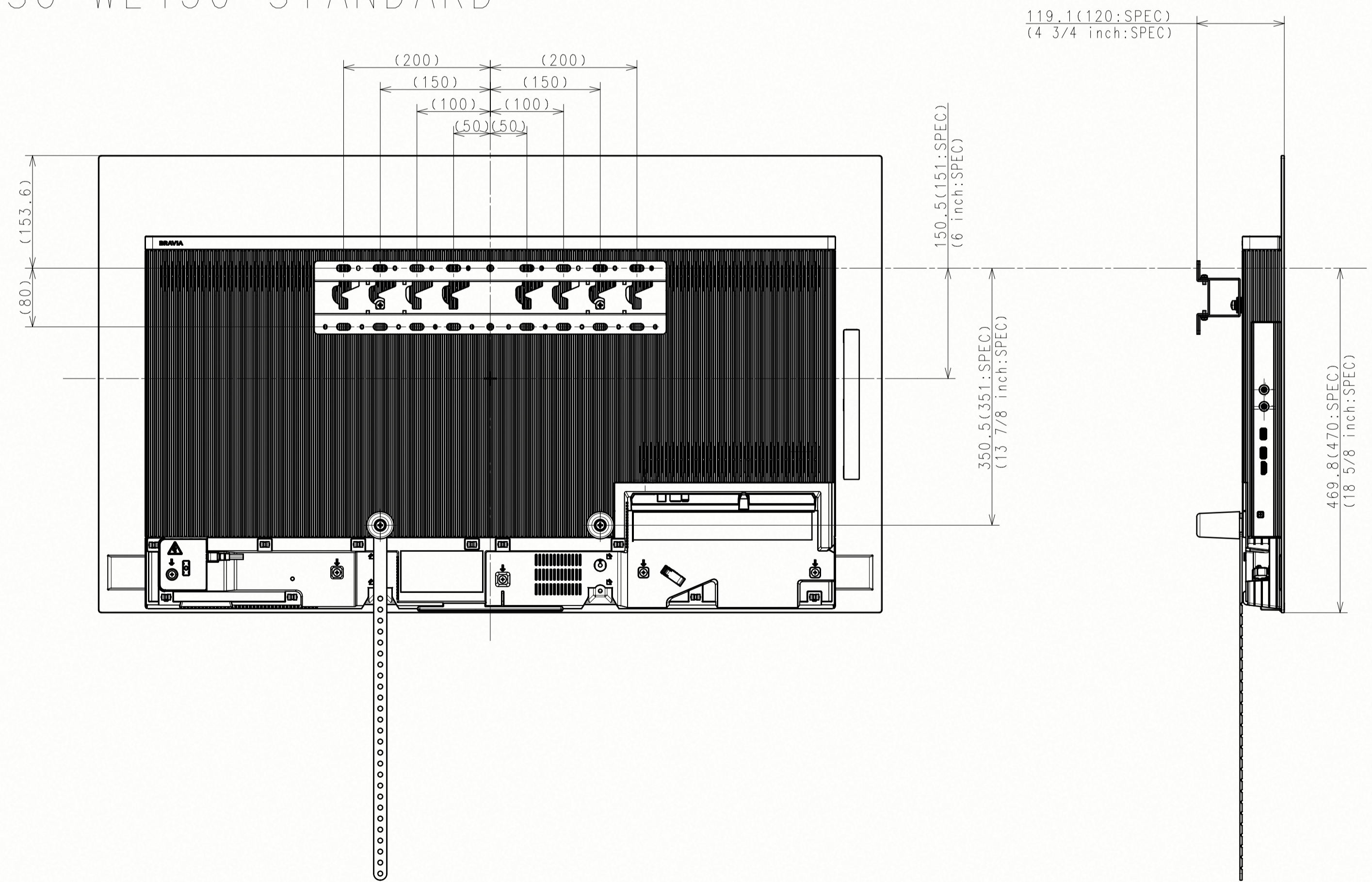
WITHOUT STAND



SU-WL450 SLIM



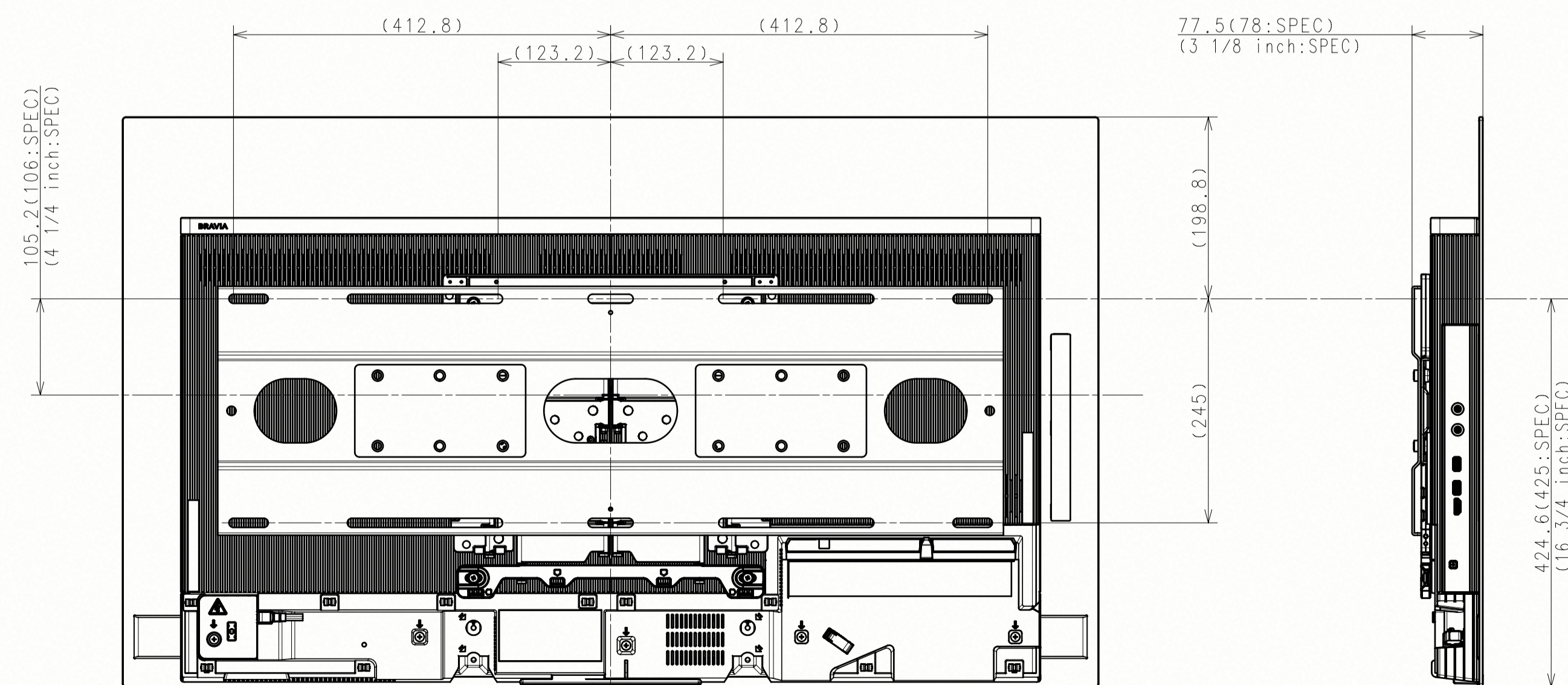
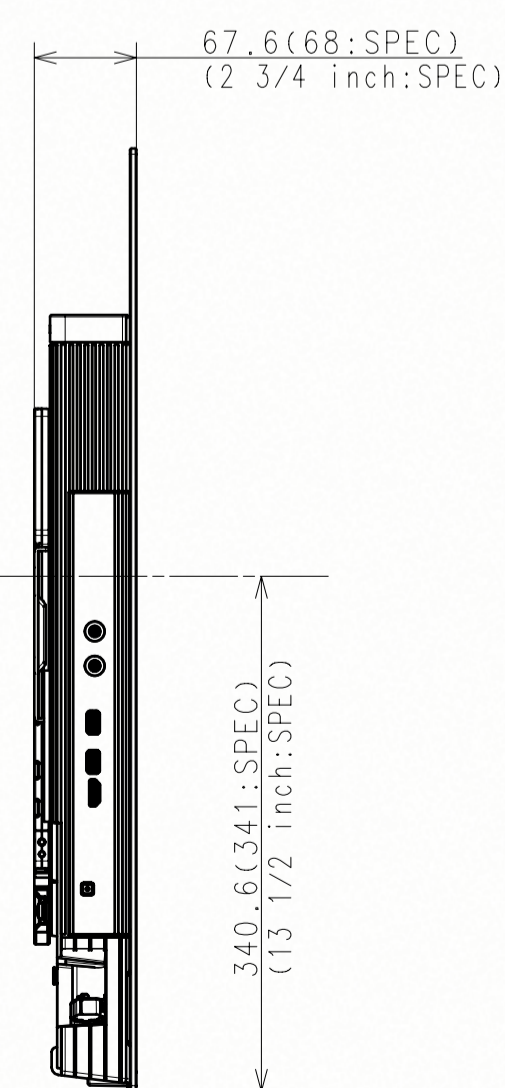
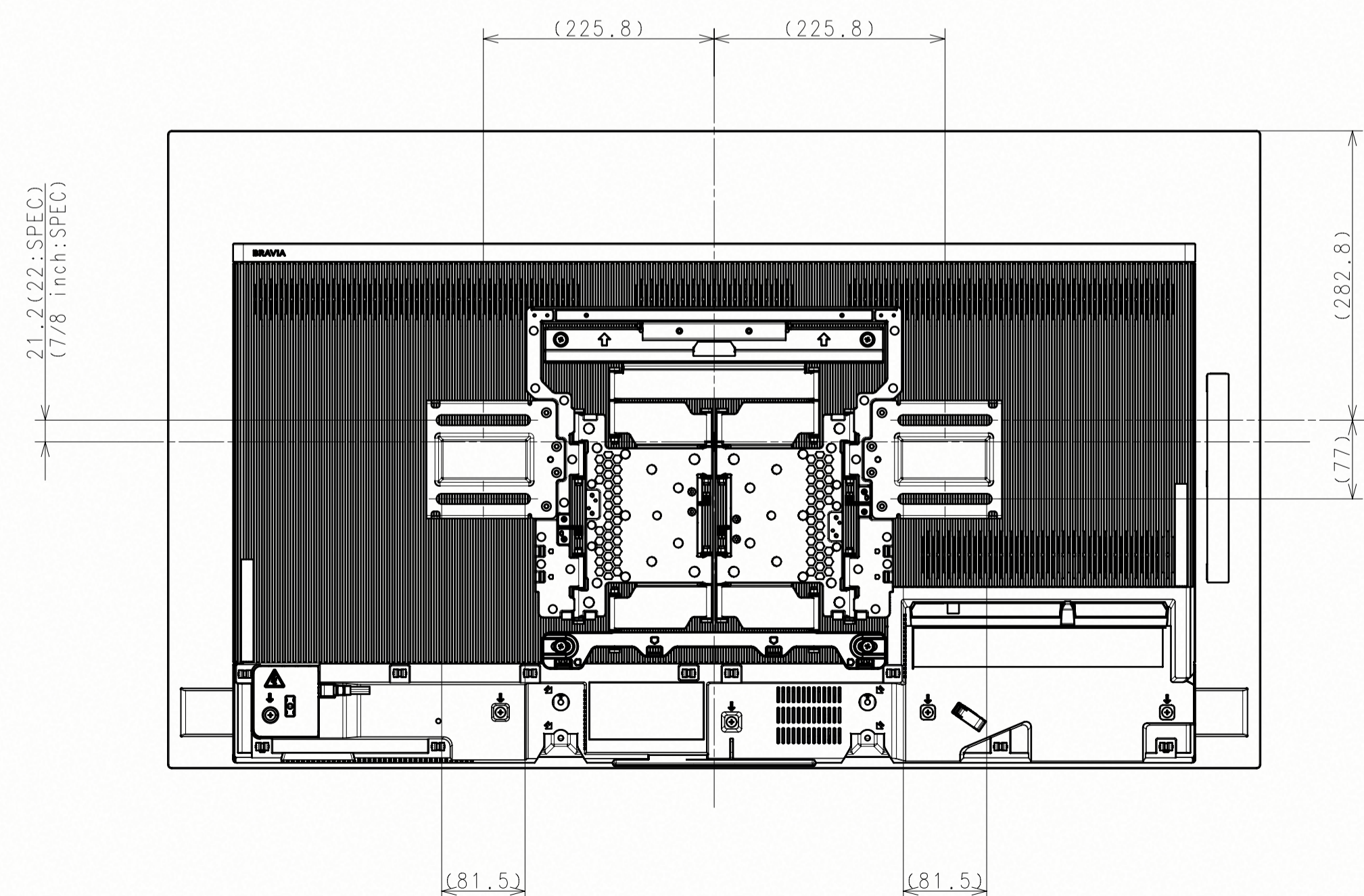
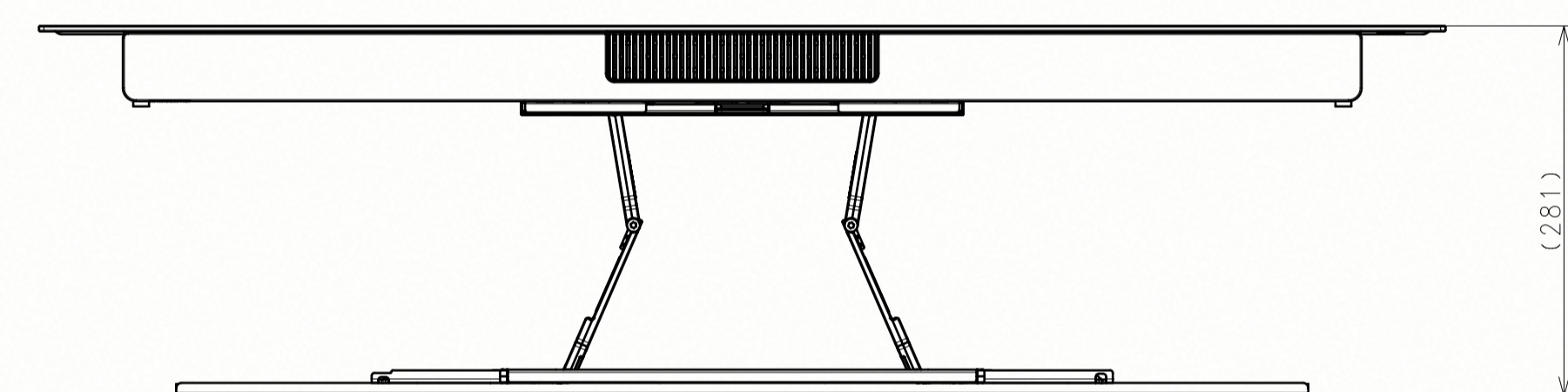
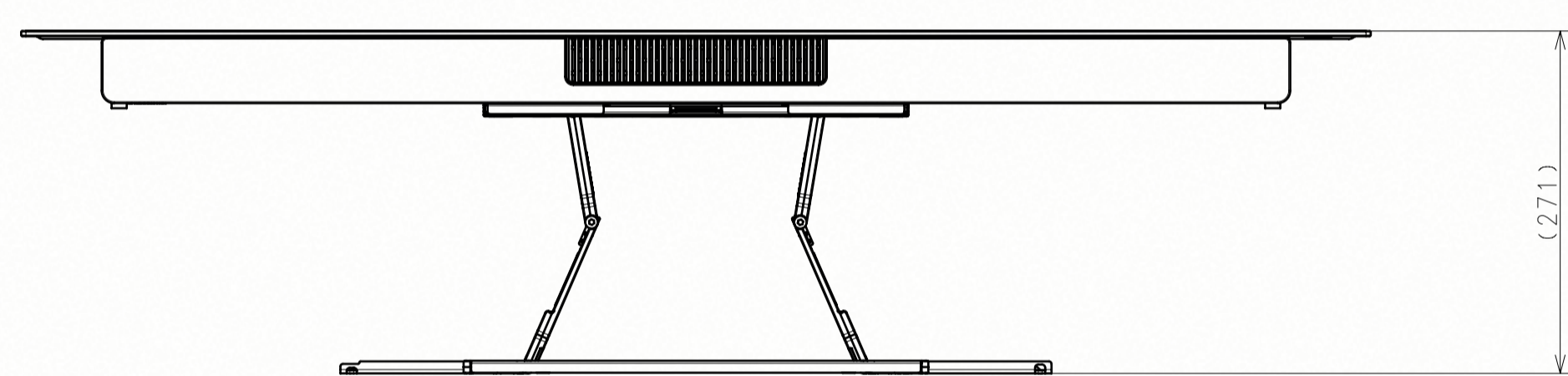
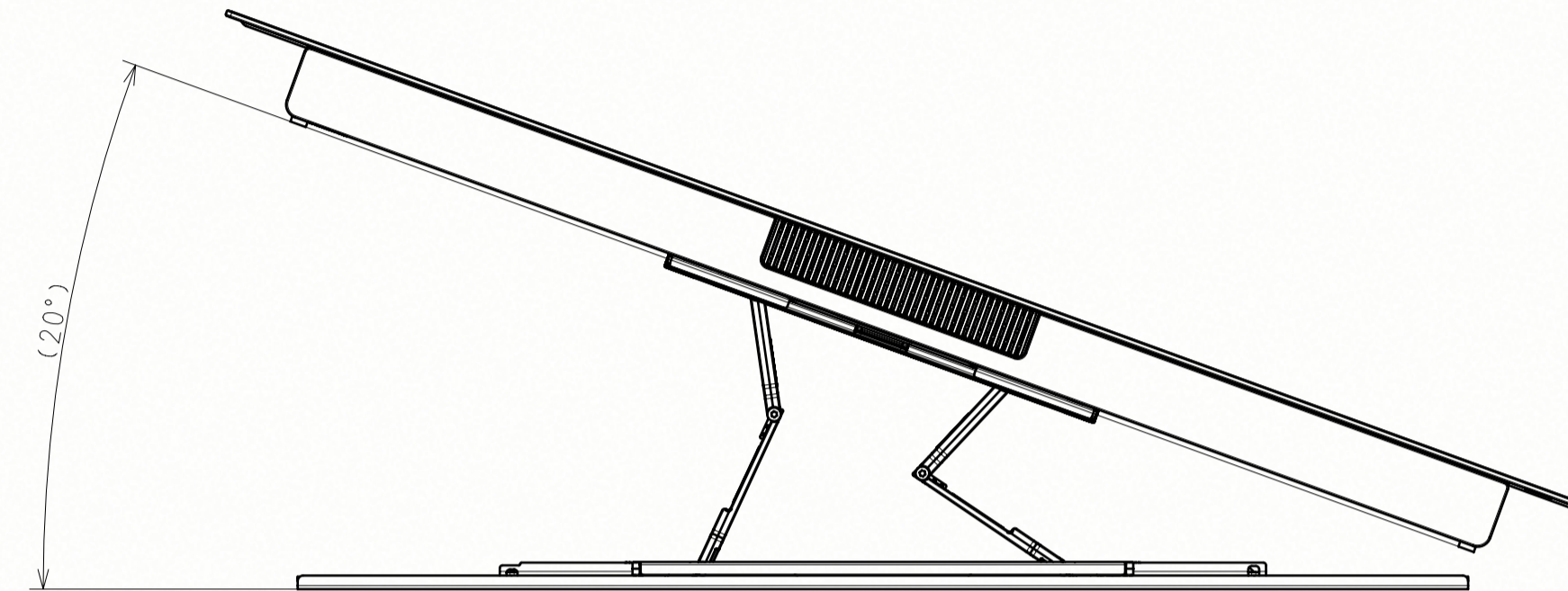
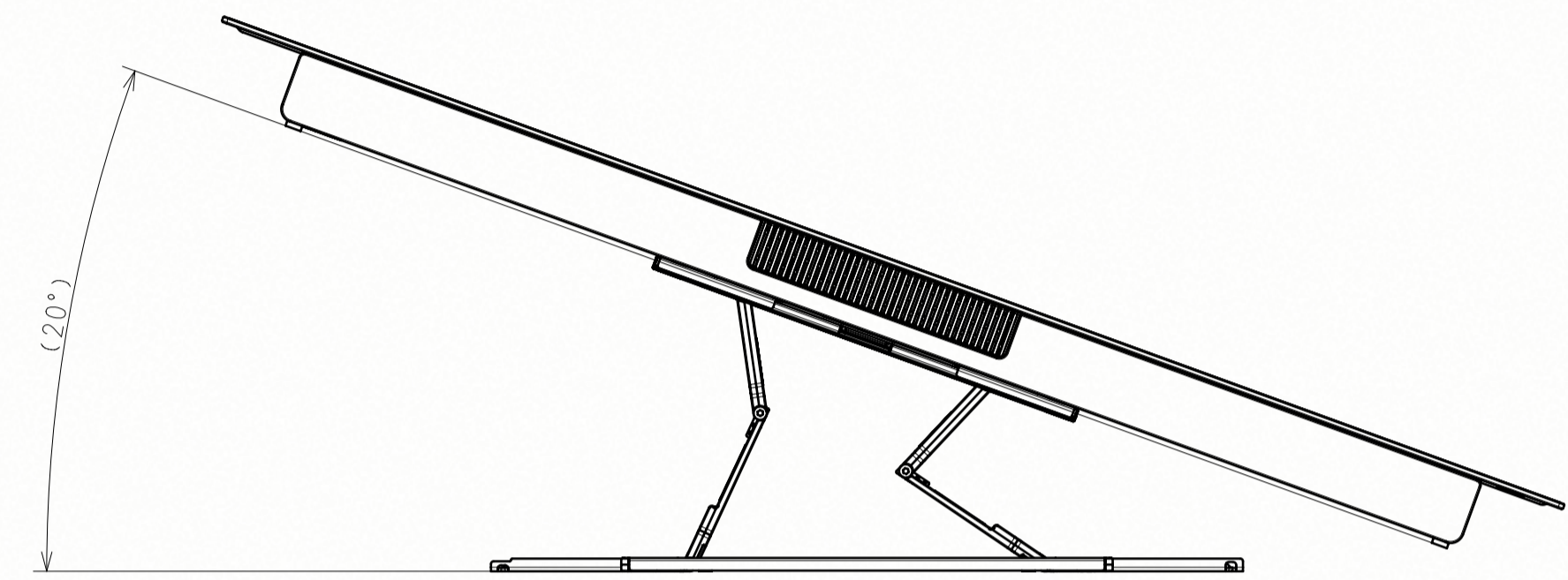
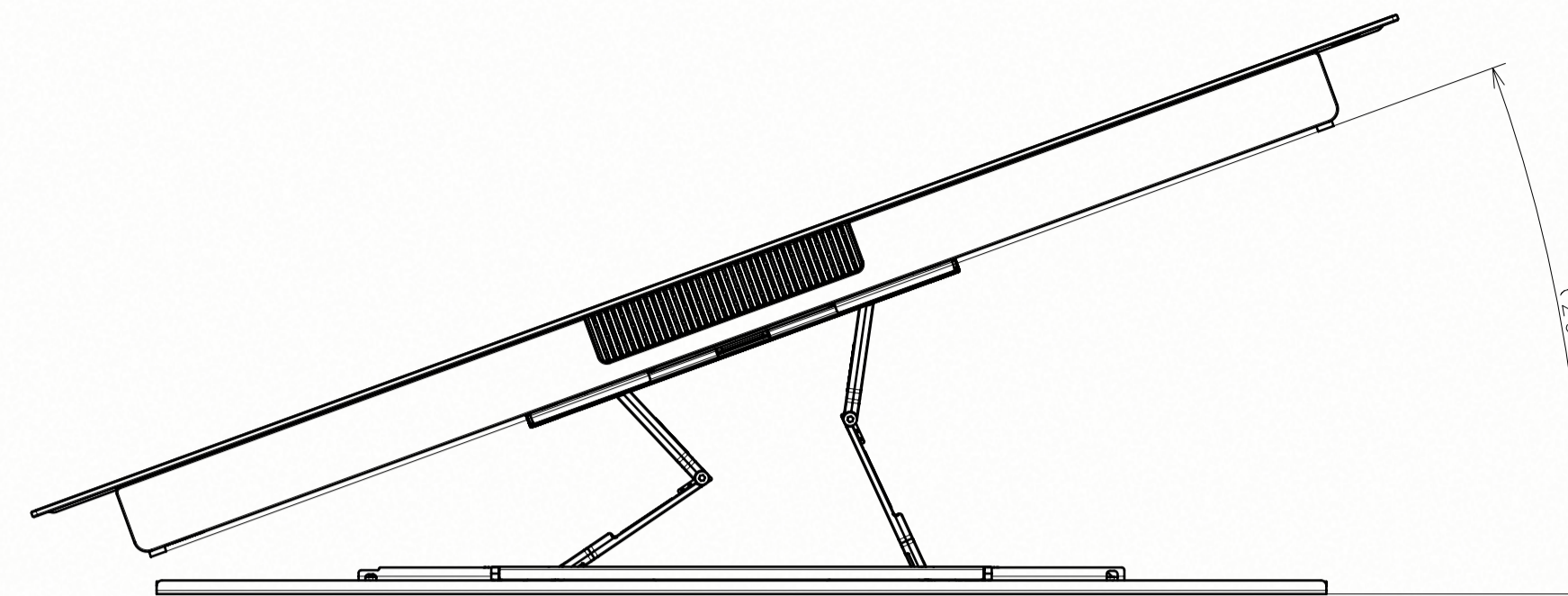
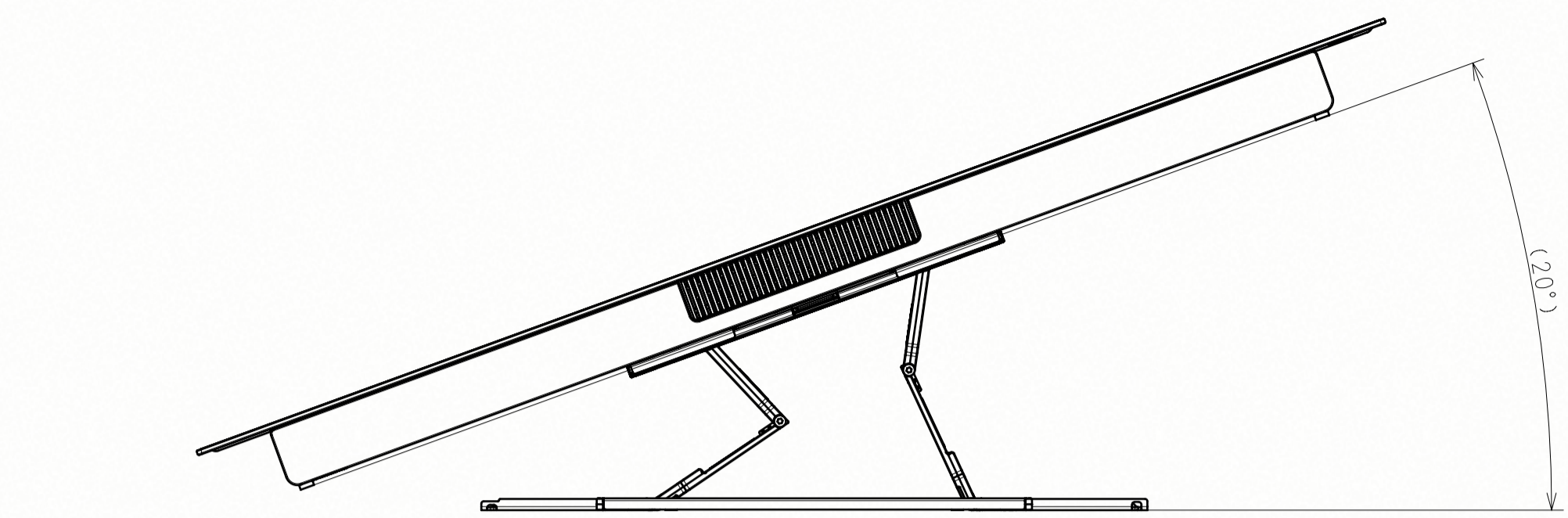
SU-WL450 STANDARD



DESCRIPTION 1	48(A9S) EXTERIOR VIEW	LEGAL OWNER	Sony Corporation	SCALE	1:5
DESCRIPTION 2	48(A9S) EXTERIOR VIEW	PART NO.		SHEET/PAGES	2 / 3

SU-WL850

SU-WL855 WITH LATERAL SHAFT BRACKET



DESCRIPTION1 48(A9S) EXTERIOR VIEW	LEGAL OWNER Sony Corporation	SCALE 1:5
DESCRIPTION2 48(A9S) EXTERIOR VIEW	PART NO.	SHEET/PAGES 3 / 3