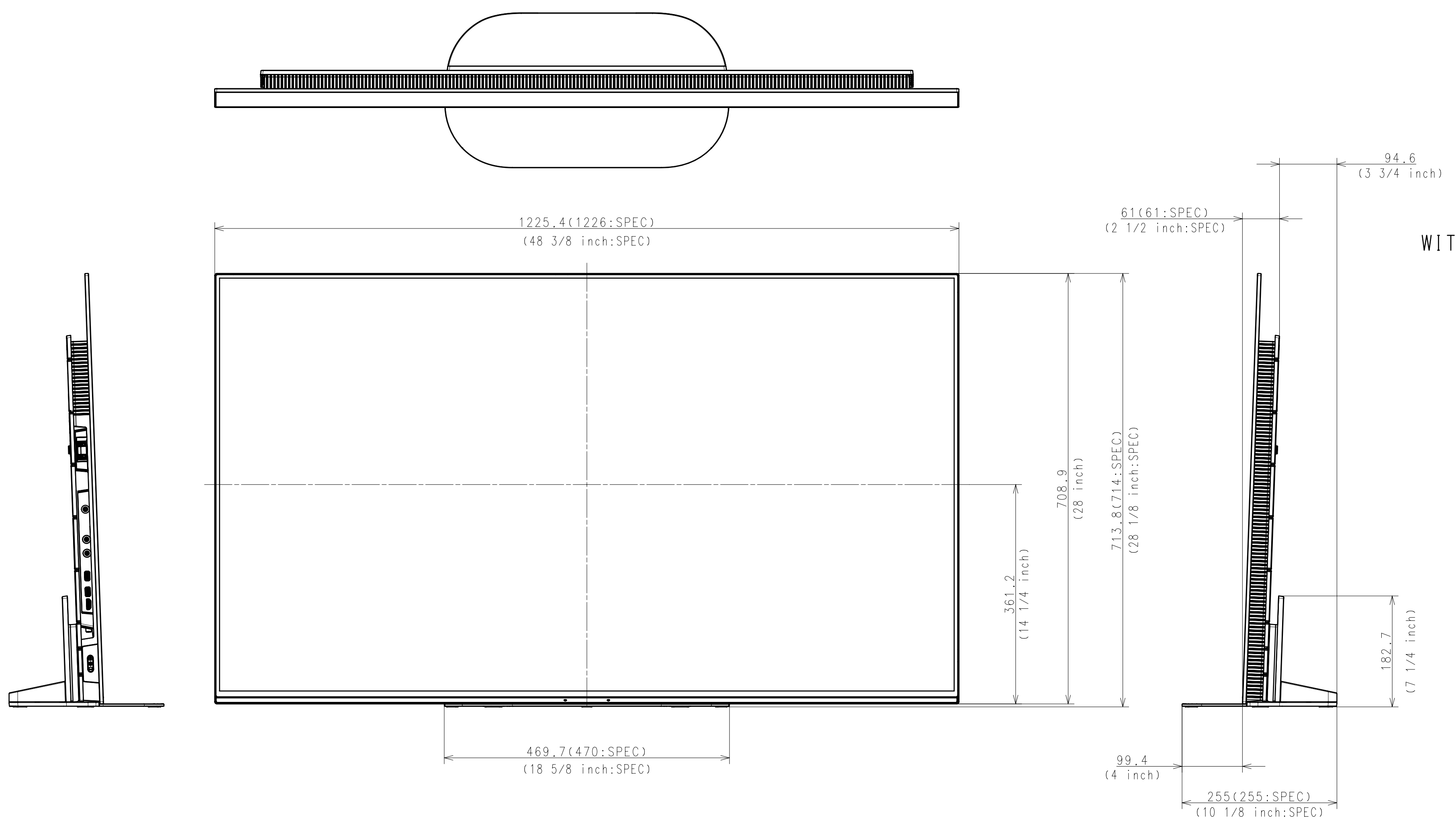
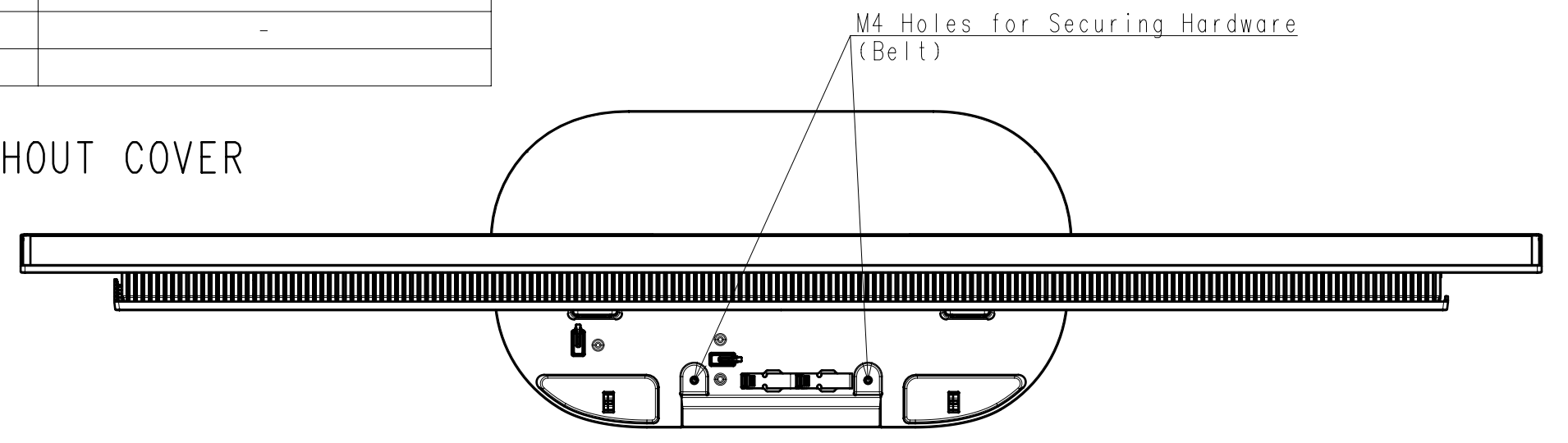


Area	JAPAN	NORTH AMERICA	LATIN AMERICA	EUROPE	GENERAL AREA	CHINA
Model Name	KJ-55A9G	XBR-55A9G	-	KD-55A9G	KD-55A9G	KD-55A9G
SV No.	SV-36272	SV-36269	-	SV-36275	SV-36276	SV-36271
DIMENSION	TV only (WxHxD)	122.6x71.0x4.0(0.62) cm	1226x710x40(6.2) mm / 48 3/8 x 28 1/8 x 1 5/8(1/4) inch	-	Approx. 122.6x71.0x4.0(0.62) cm	Approx. 1226x710x40(6.2) mm
	TV with Stand (WxHxD)	122.6x71.4x25.5 cm	1226x714x255 mm / 48 3/8 x 28 1/8 x 10 1/8 inch	-	Approx. 122.6x71.4x25.5 cm	Approx. 1226x714x255 mm
	Media Receiver (WxHxD)	-	-	-	-	-
	Monitor only (WxHxD)	-	-	-	-	-
	Monitor with Stand (WxHxD)	-	-	-	-	-
	Media Receiver with Stand (WxHxD)	-	-	-	-	-
WEIGHT	TV Only	18.7 Kg	18.7 Kg / 41.2 lb	-	Approx. 18.7 Kg	Approx. 18.7 Kg
	TV With Stand	22.3 Kg	22.3 Kg / 49.2 lb	-	Approx. 22.3 Kg	Approx. 22.3 Kg
	Media Receiver	-	-	-	-	-
	Monitor Only	-	-	-	-	-
Remarks						

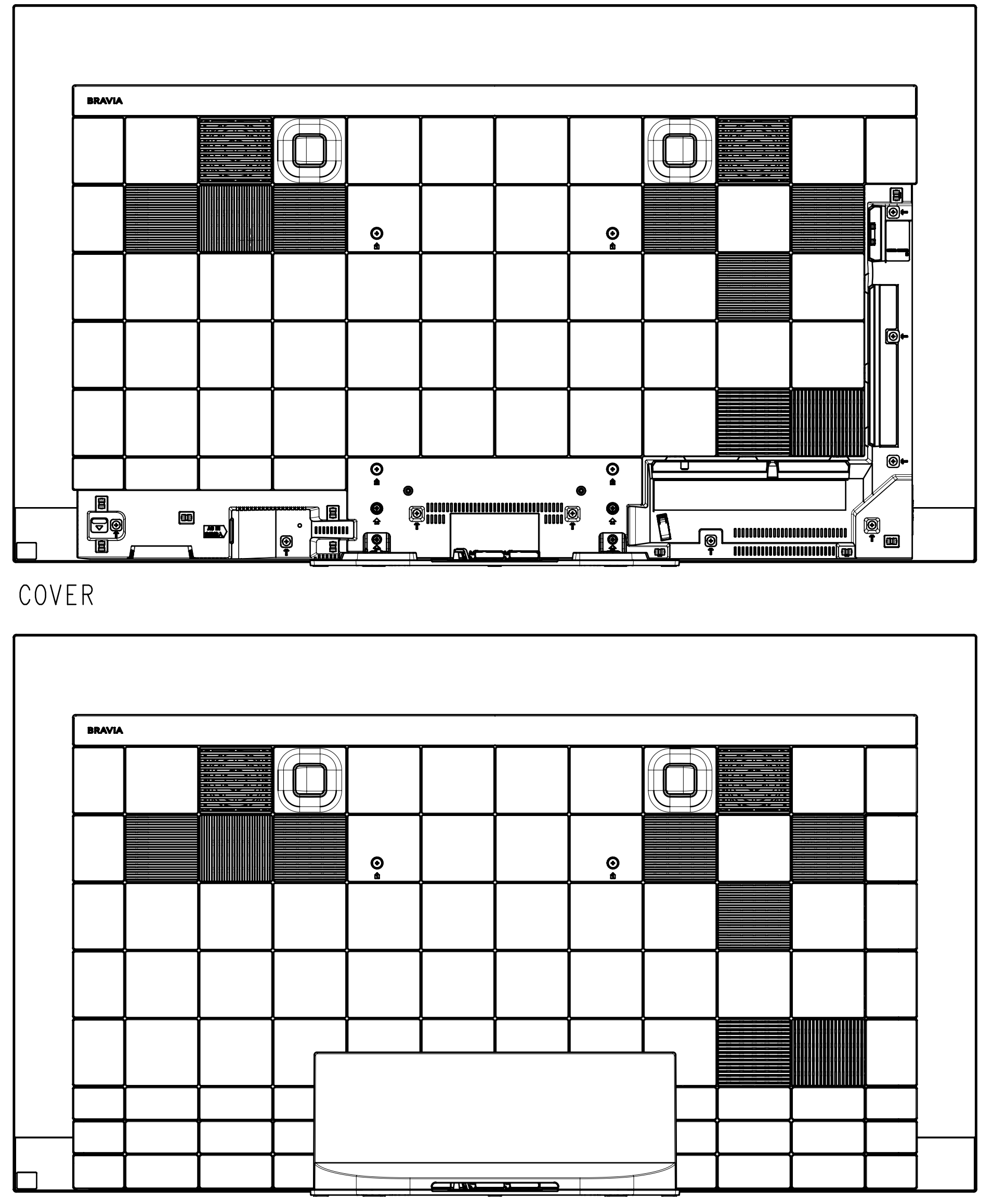
TV WITH STAND



WITHOUT COVER



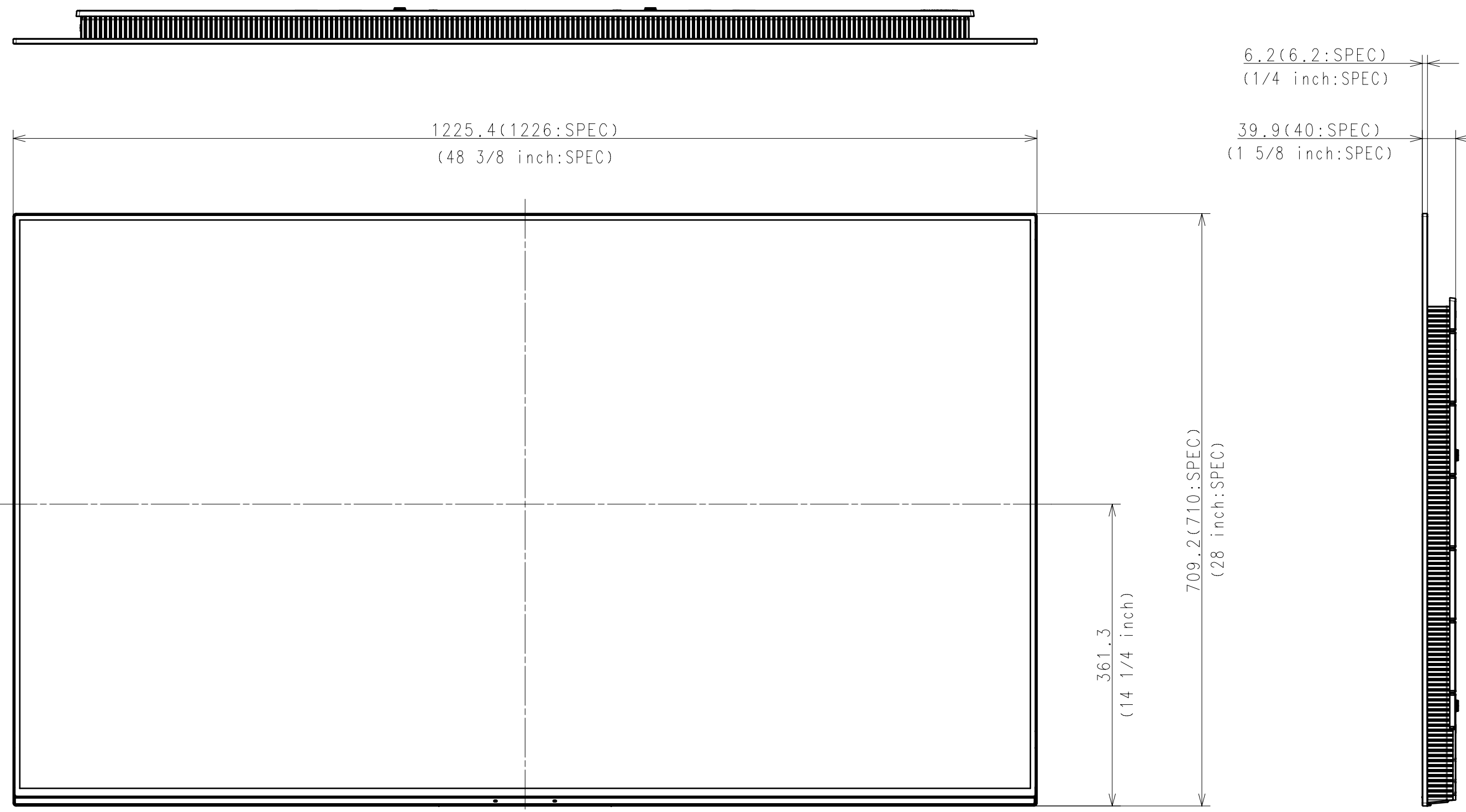
WITH COVER



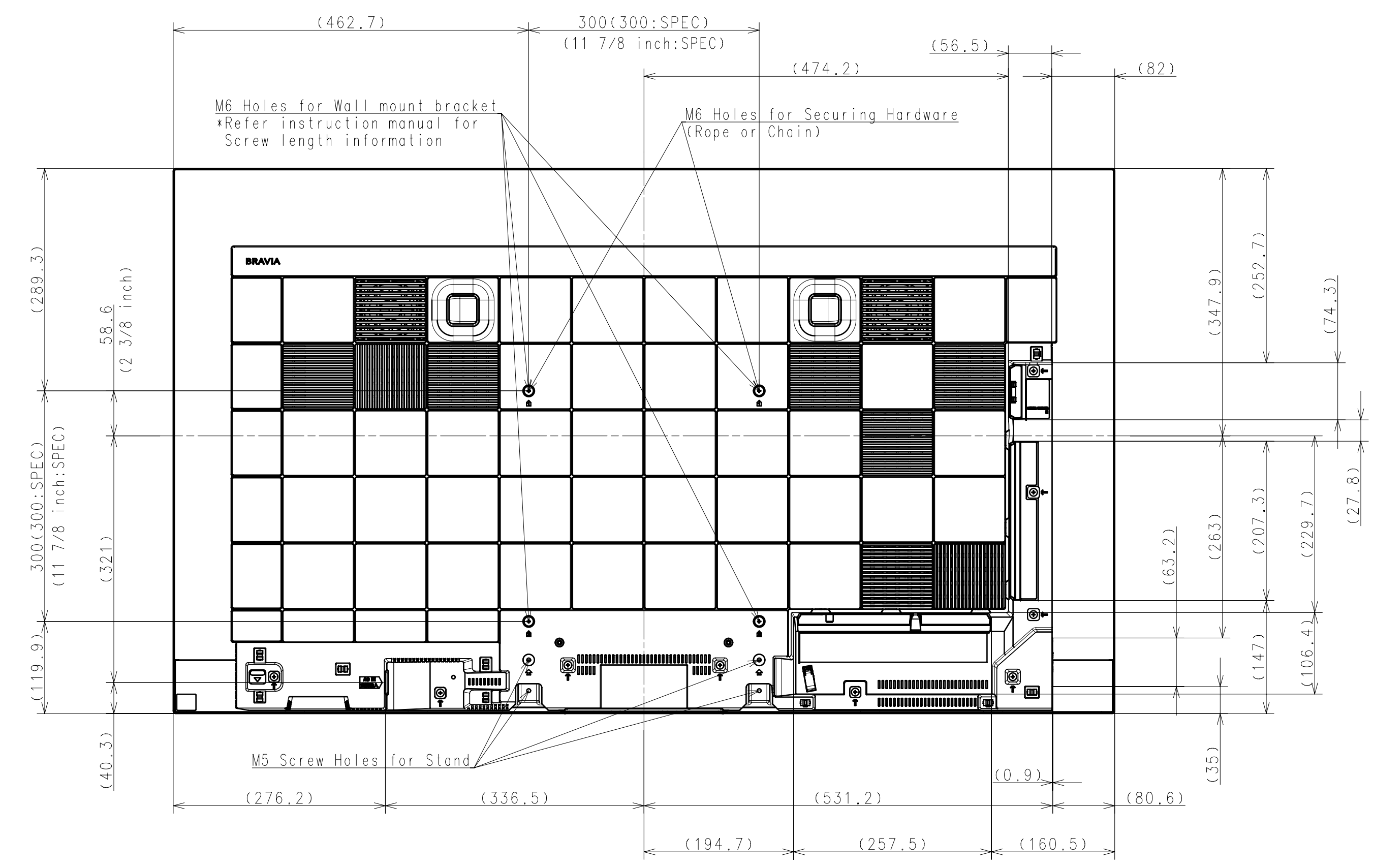
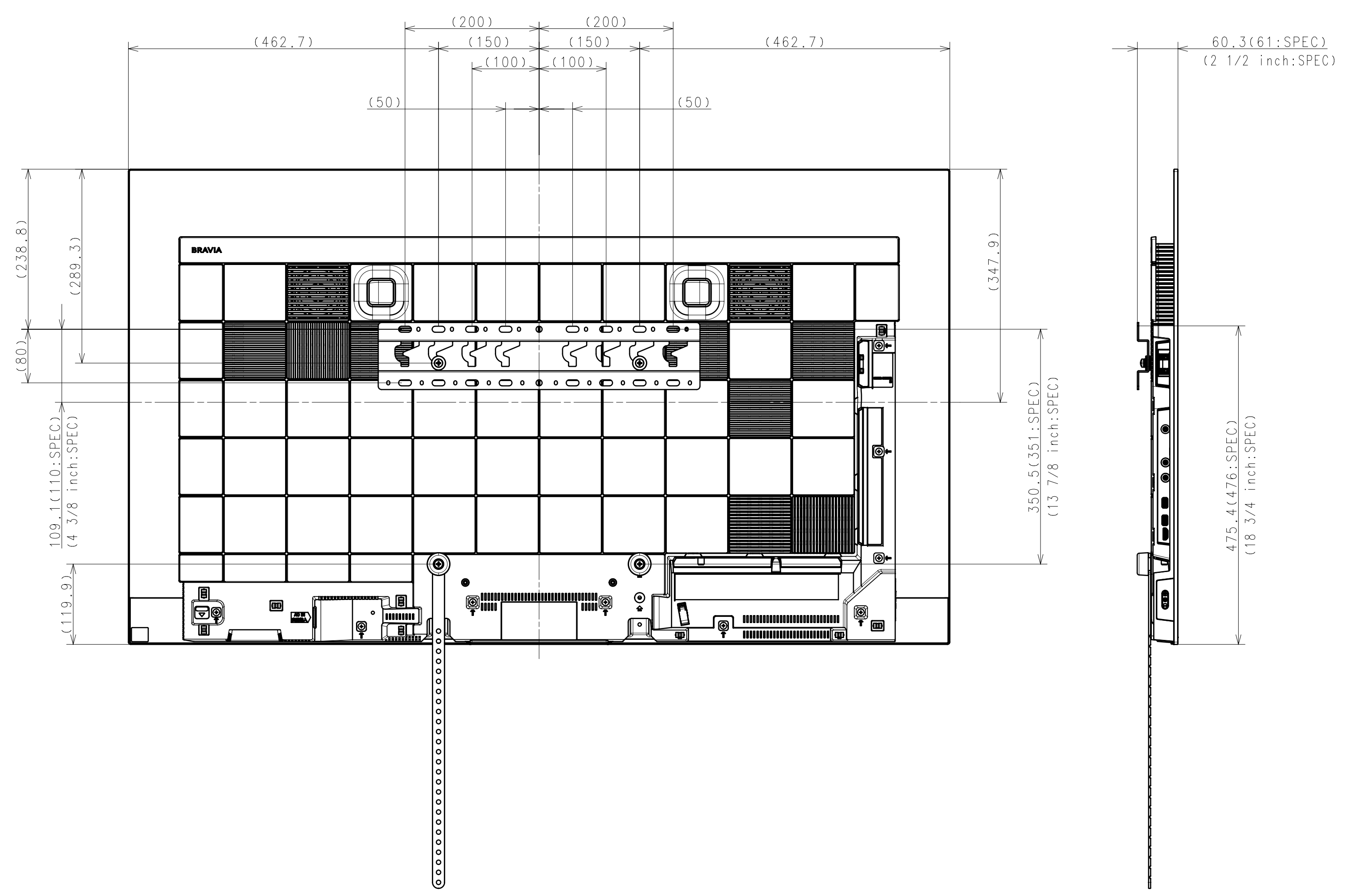
Purchase recycled resins and wire rods only from the business partners that Sony approves as Green Partners. 再生樹脂・銅線材はグリーンパートナー 認定品から調達すること。

△A						GENERAL TOLERANCE	DATE OF ISSUE
△B							2019.01.29
△C							DOCUMENT TYPE
							PART
							DRAWING
							(JIS & JISX0010 BASIS)
						MATERIAL COLOR	FINISH COLOR
LEGAL OWNER							
Sony Corporation							
RESPONSIBLE DEPARTMENT							
SVP-TV B Div. PD Div. PD Dept. 3				ORIGINAL MODEL		DESCRIPTION	
PLANNED BY				CHECKED BY		SCALE	
2019.01.29				2019.01.29		1:5	
DRAWN BY				APPROVED BY		TENTATIVE MODEL	
2019.01.29				2019.01.29		55 (A9G) EXTERIOR VIEW	
S. IZUMI				S. IZUMI		55 (A9G) EXTERIOR VIEW	
PREL. METHOD				SIZE		UNIT	
A1				mm		PART NO.	
SUFFIX				REV. NO.		SHEET/PAGES	
						1 / 3	

TV WITHOUT STAND



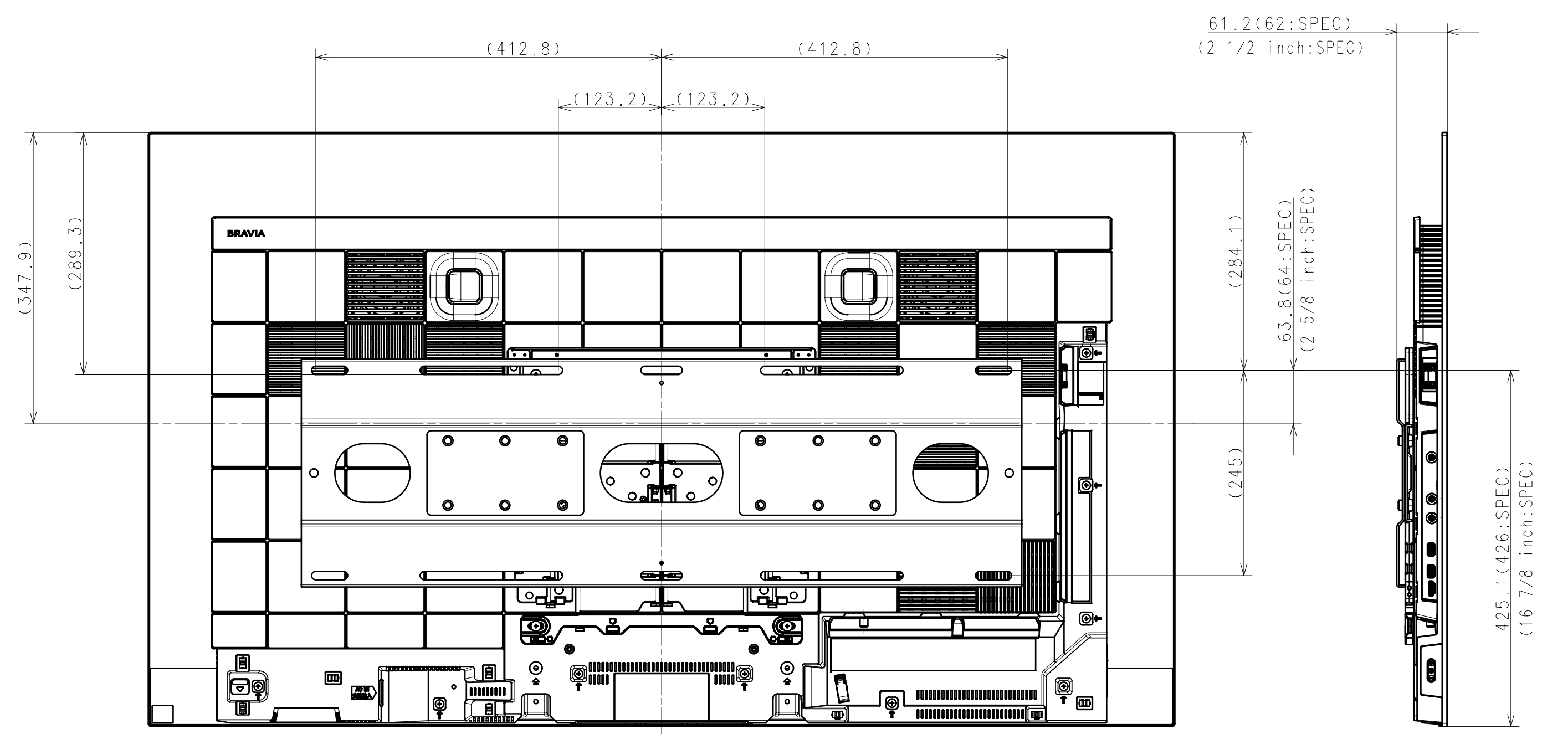
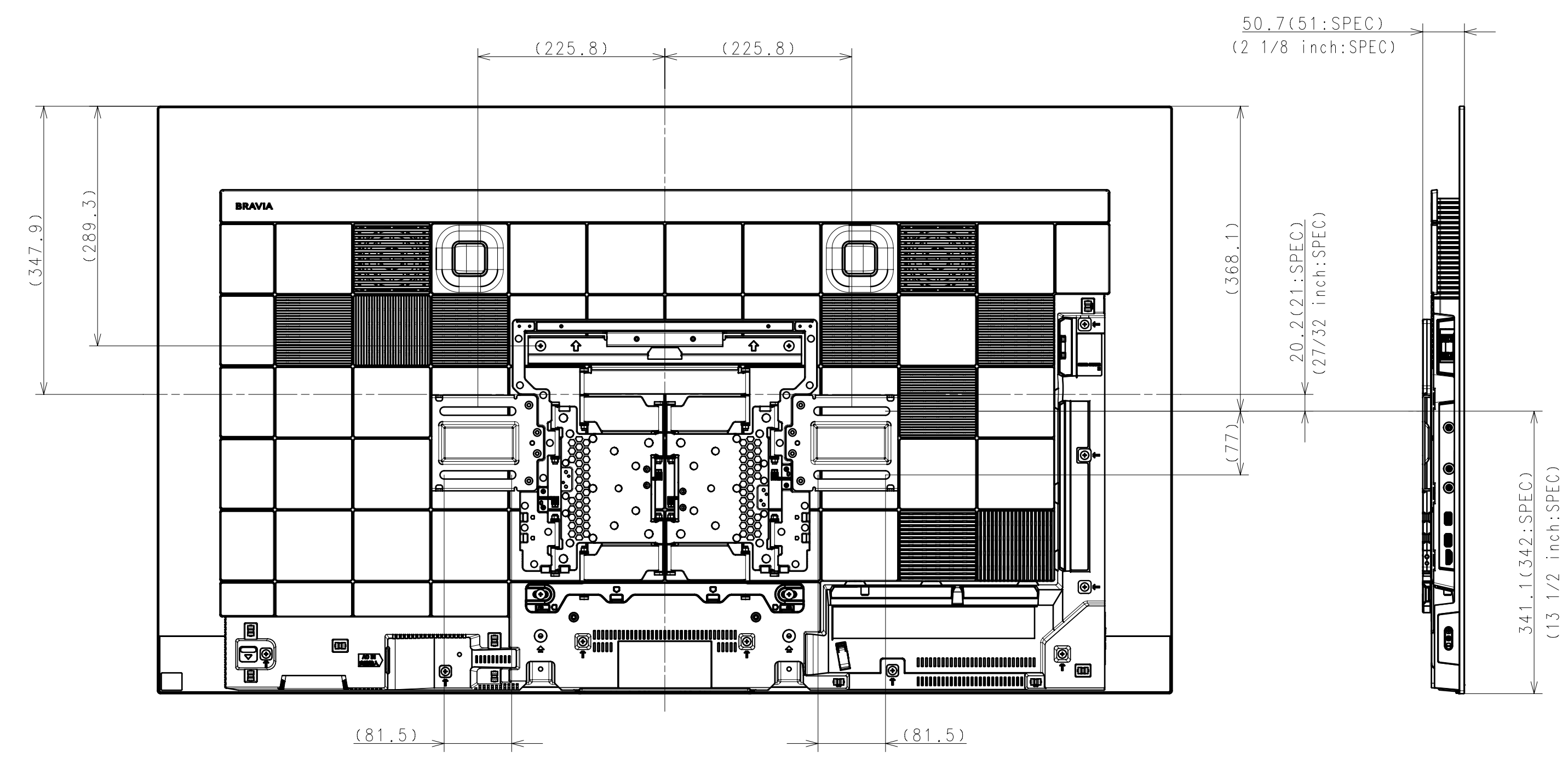
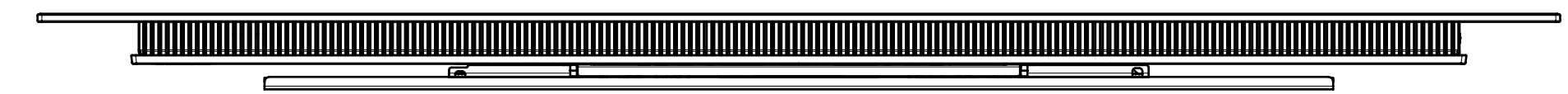
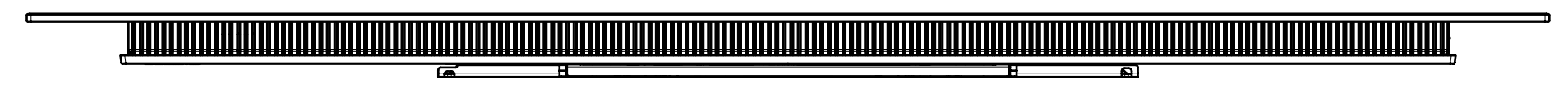
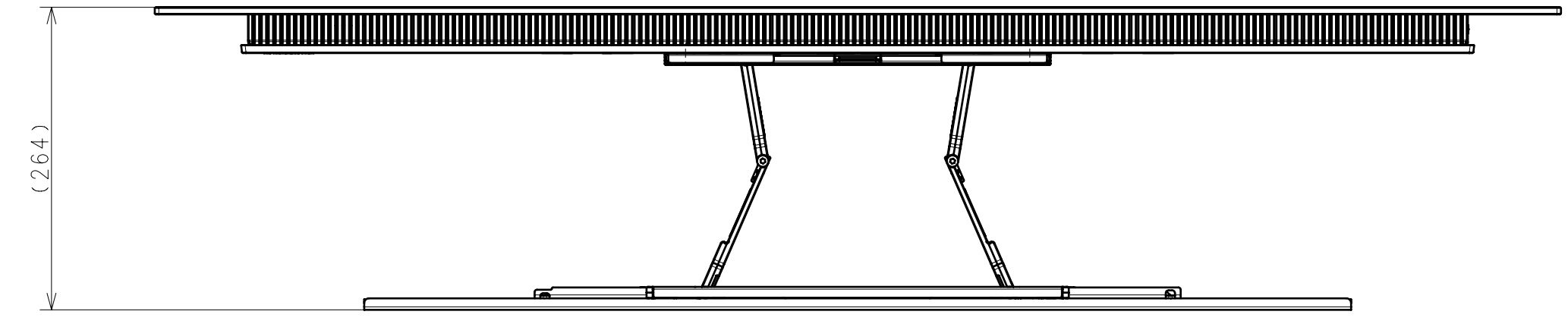
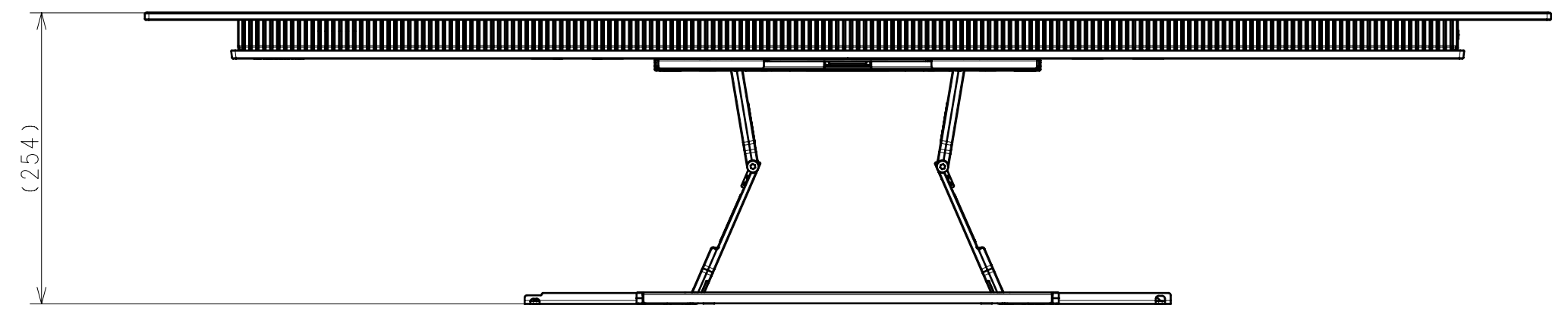
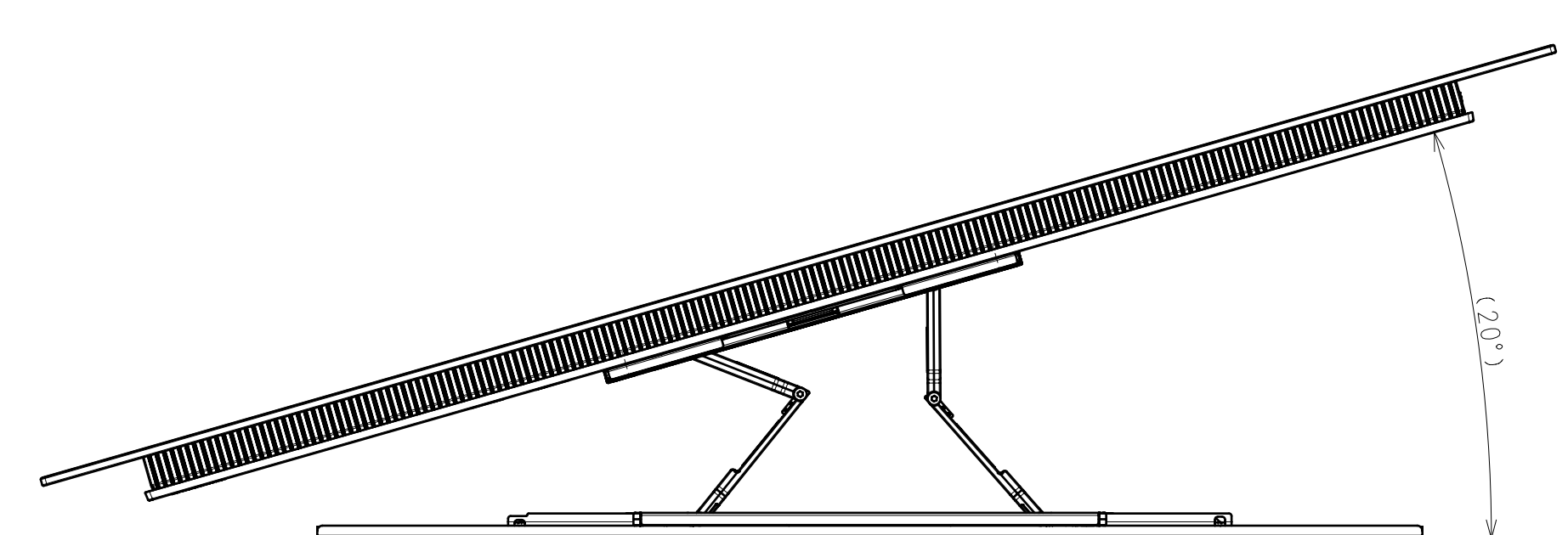
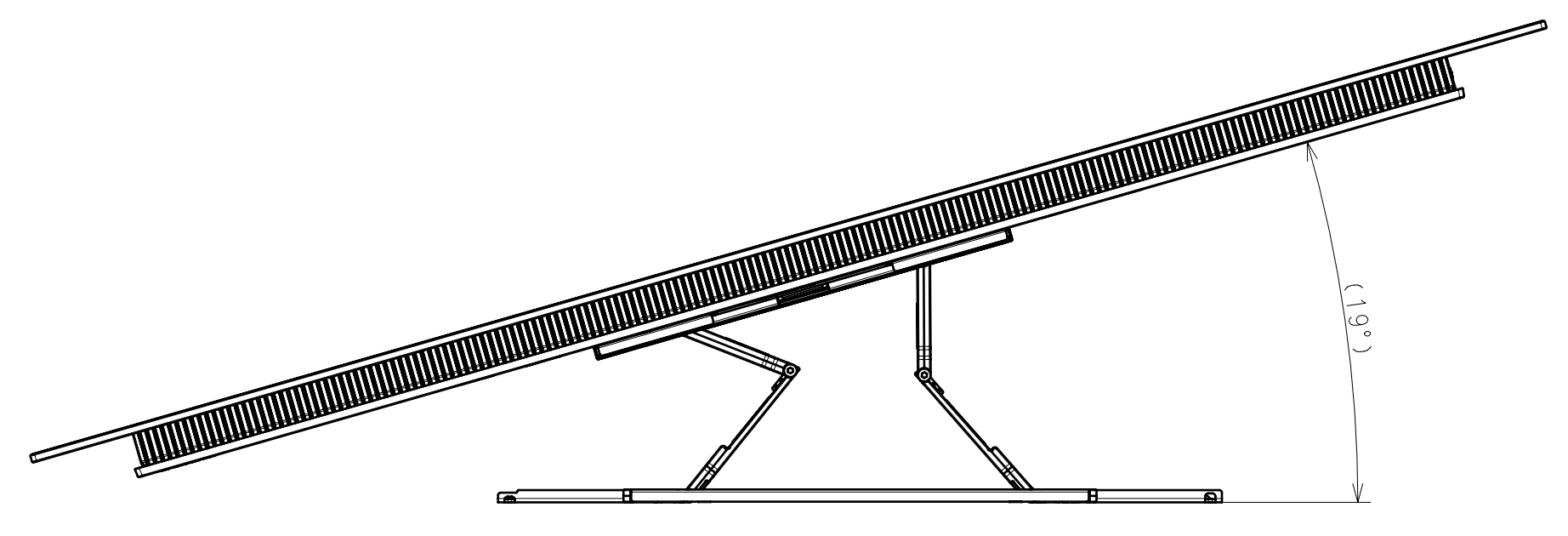
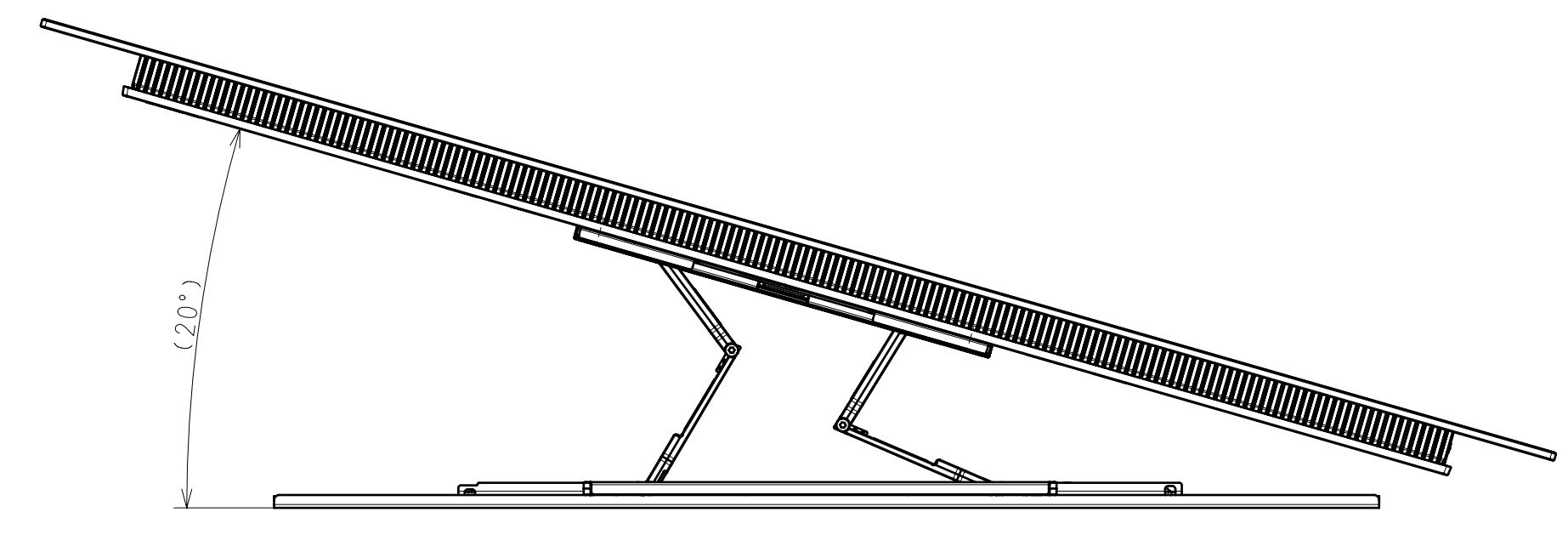
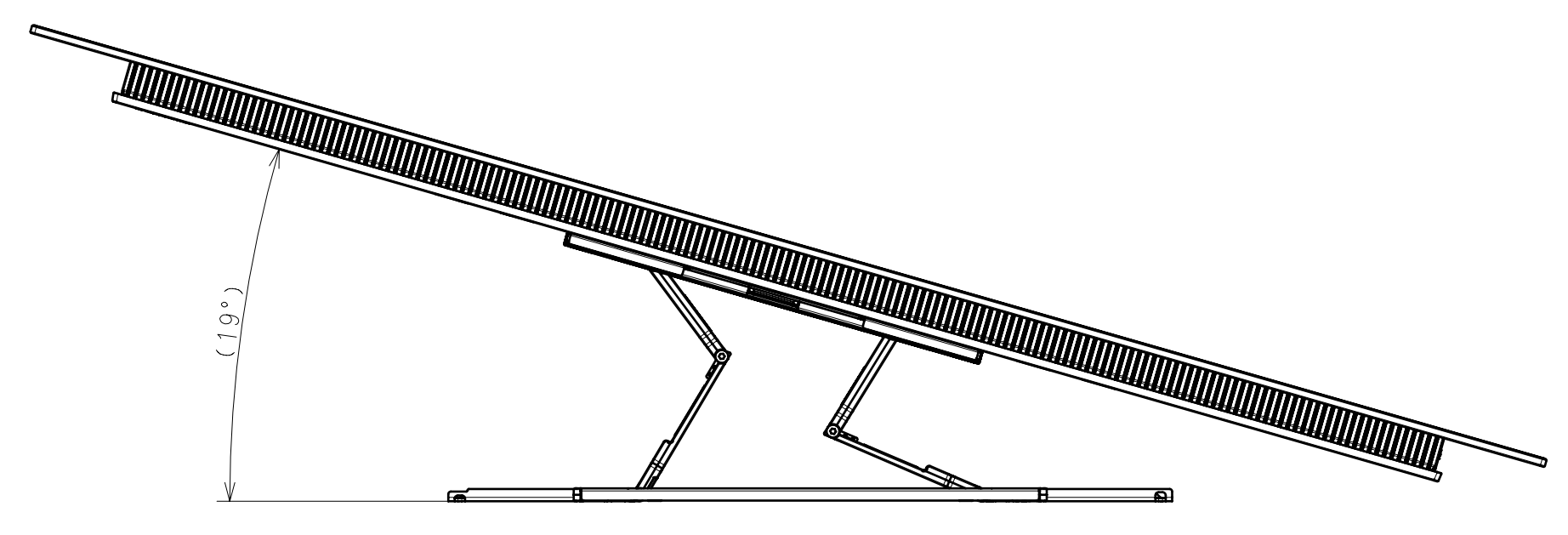
SU-WL450 SLIM



DESCRIPTION	LEGAL OWNER	SCALE
55 (A9G) EXTERIOR VIEW	Sony Corporation	1:5
55 (A9G) EXTERIOR VIEW	PART NO.	SHEET/PAGES
		2 / 3

SU-WL850

SU-WL855 WITH LATERAL SHAFT BRACKET



DESCRIPTION:	55 (A9G) EXTERIOR VIEW	LEGAL OWNER:	Sony Corporation	SCALE:	1:5
DESCRIPTION:	55 (A9G) EXTERIOR VIEW	PART NO.:		SHEET/PAGES:	3 / 3