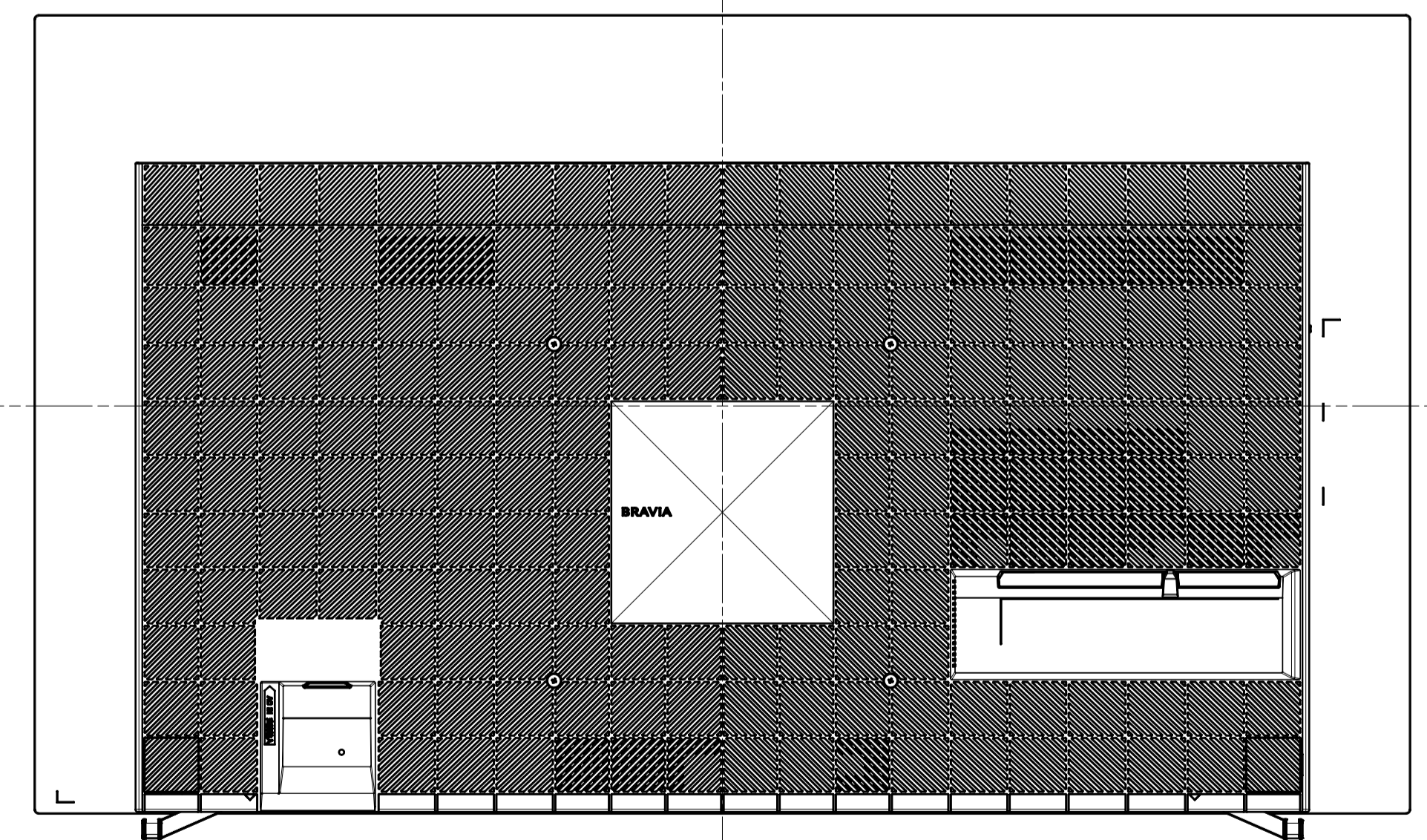
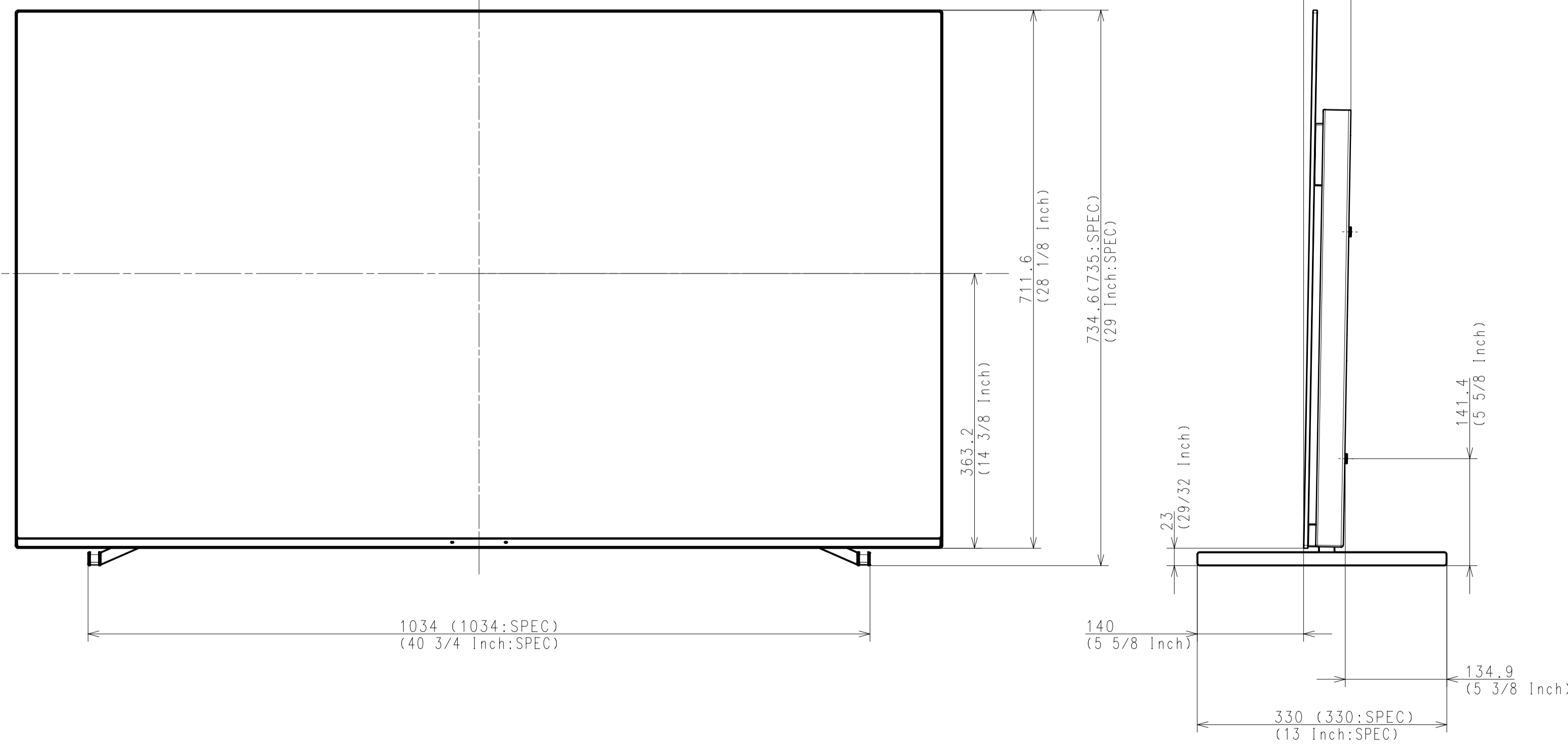
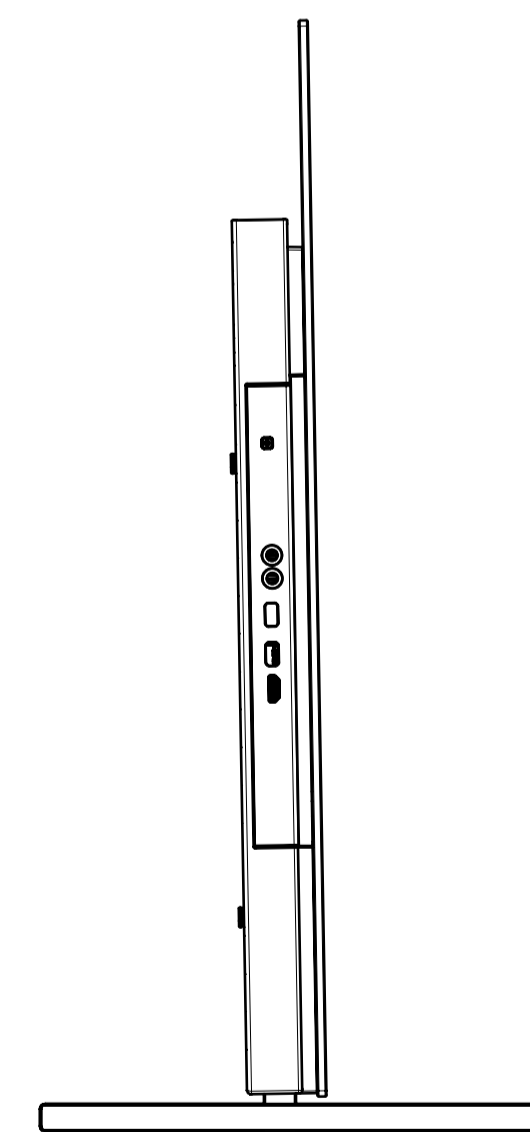
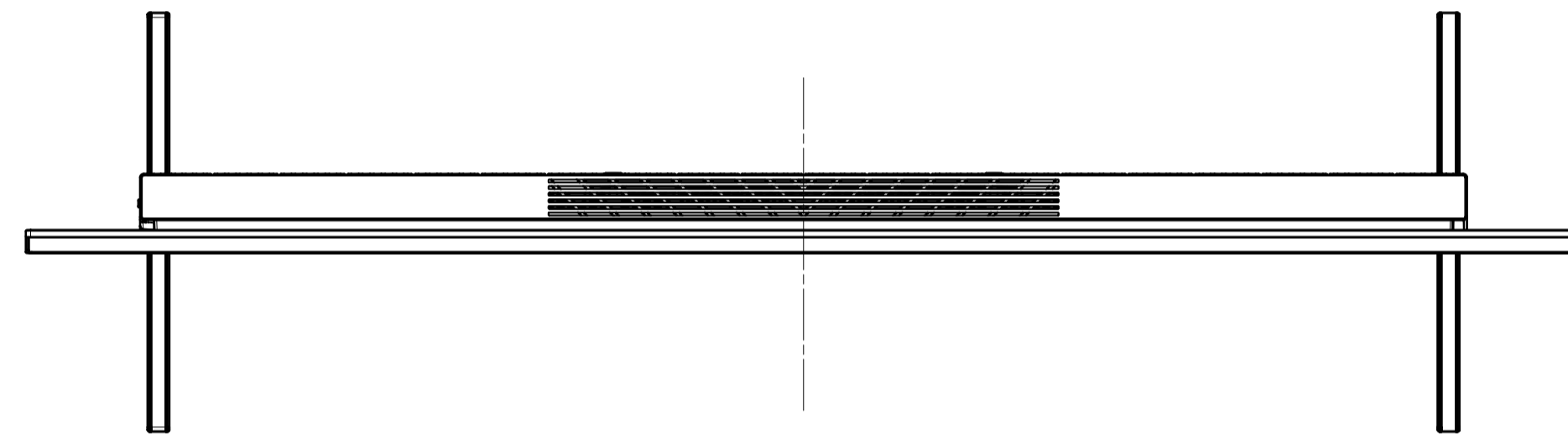


Area	JAPAN	NORTH AMERICA	LATIN AMERICA	EUROPE	GENERAL AREA	CHINA	
Model Name	XRJ-55A80J	XR-55A80J	XR-55A80J	XR-55A80J	XR-55A80J	XR-55A80J	
SV No.	SV-39374	SV-39182	SV-39199	SV-39348	SV-39231	SV-39307	
DIMENSION	TV only (W x H x D)	122.7 x 71.2 x 5.3 (0.59) cm	1227 x 712 x 53 (5.9) mm / 48 3/8 x 28 1/8 x 2 1/8 (1/4) inch	1227 x 712 x 53 (5.9) mm	Approx. 122.7 x 71.2 x 5.3 (0.59) cm	Approx. 1227 x 712 x 53 (5.9) mm	Approx. 1227 x 712 x 53 (5.9) mm
	TV with Stand (Standard position) (W x H x D)	122.7 x 73.5 x 33.0 cm	1227 x 735 x 330 mm / 48 3/8 x 29 x 13 inch	1227 x 735 x 330 mm	Approx. 122.7 x 73.5 x 33.0 cm	Approx. 1227 x 735 x 330 mm	Approx. 1227 x 735 x 330 mm
	TV with Stand (Narrow position) (W x H x D)	122.7 x 73.5 x 33.0 cm	1227 x 735 x 330 mm / 48 3/8 x 29 x 13 inch	1227 x 735 x 330 mm	Approx. 122.7 x 73.5 x 33.0 cm	Approx. 1227 x 735 x 330 mm	Approx. 1227 x 735 x 330 mm
	TV with Stand (Soundbar position) (W x H x D)	122.7 x 78.4 x 33.0 cm	1227 x 784 x 330 mm / 48 3/8 x 30 7/8 x 13 inch	1227 x 784 x 330 mm	Approx. 122.7 x 78.4 x 33.0 cm	Approx. 1227 x 784 x 330 mm	Approx. 1227 x 784 x 330 mm
	TV with Floor Stand (W x H x D)	-	-	-	-	-	-
	Stand Width (Standard position)	103.4 cm	1034 mm / 40 3/4 inch	1034 mm	Approx. 103.4 cm	Approx. 1034 mm	Approx. 1034 mm
	Stand Width (Narrow position)	69.2 cm	692 mm / 27 1/4 inch	692 mm	Approx. 69.2 cm	Approx. 692 mm	Approx. 692 mm
	Stand Width (Soundbar position)	103.6 cm	1036 mm / 40 7/8 inch	1036 mm	Approx. 103.6 cm	Approx. 1036 mm	Approx. 1036 mm
	Floor Stand Width	-	-	-	-	-	-
	VESA Hole Pitch	30.0 x 30.0 cm	300 x 300 mm / 11 7/8 x 11 7/8 inch	300 x 300 mm	30.0 x 30.0 cm	300 x 300 mm	300 x 300 mm
WEIGHT	TV Only	17.8 kg	17.8 kg / 39.3 lb	17.8 kg	Approx. 17.8 kg	Approx. 17.8 kg	Approx. 17.8 kg
	TV with Stand (Standard position)	19 kg	19 kg / 41.9 lb	19 kg	Approx. 19 kg	Approx. 19 kg	Approx. 19 kg
	TV with Stand (Narrow position)	19 kg	19 kg / 41.9 lb	19 kg	Approx. 19 kg	Approx. 19 kg	Approx. 19 kg
	TV with Stand (Soundbar position)	19 kg	19 kg / 41.9 lb	19 kg	Approx. 19 kg	Approx. 19 kg	Approx. 19 kg
	TV with Floor Stand	-	-	-	-	-	-
	Floor Stand weight (Supply)	-	-	-	-	-	-
Remarks	3Way	3Way	3Way	3Way	3Way	3Way	

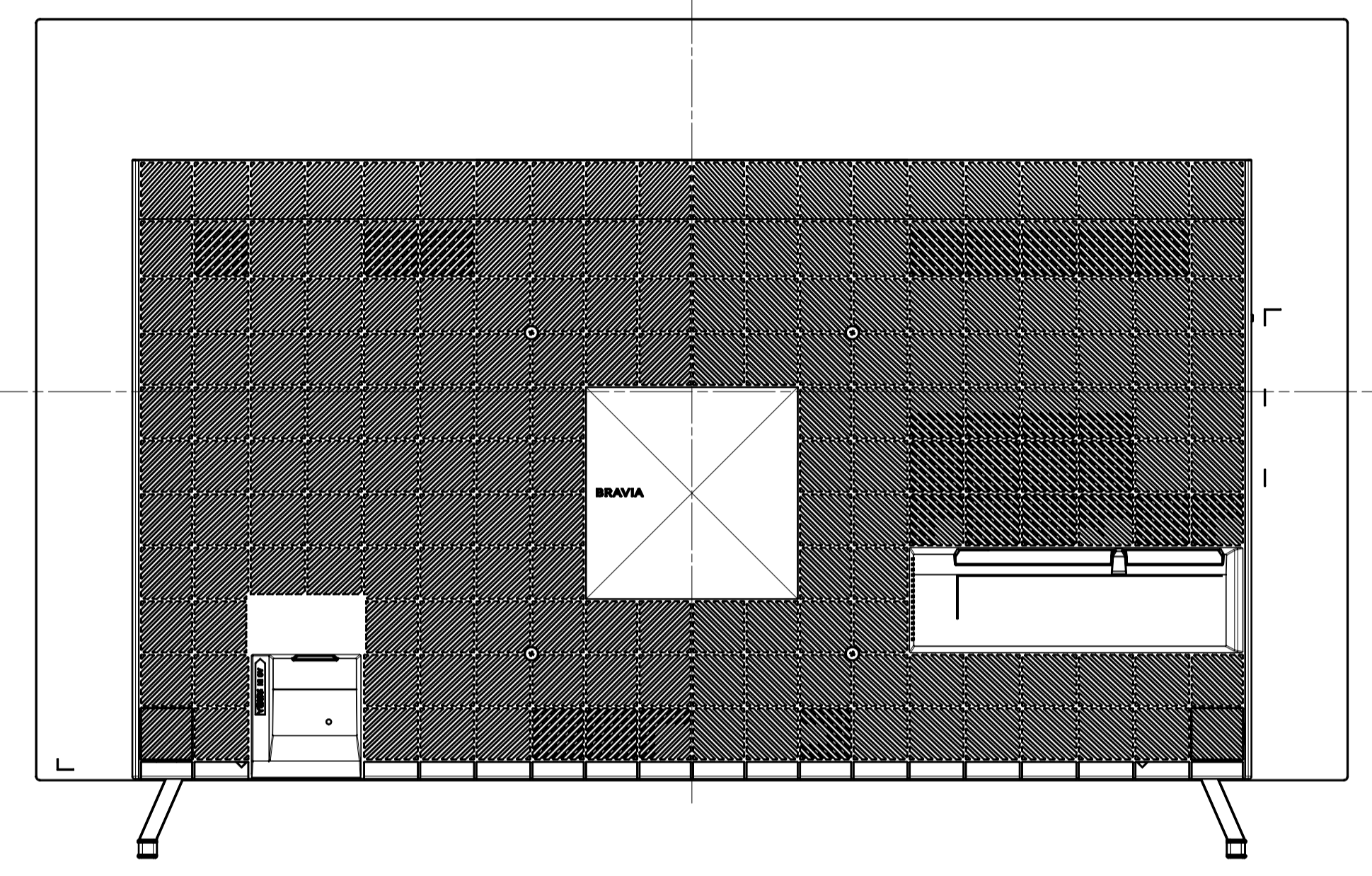
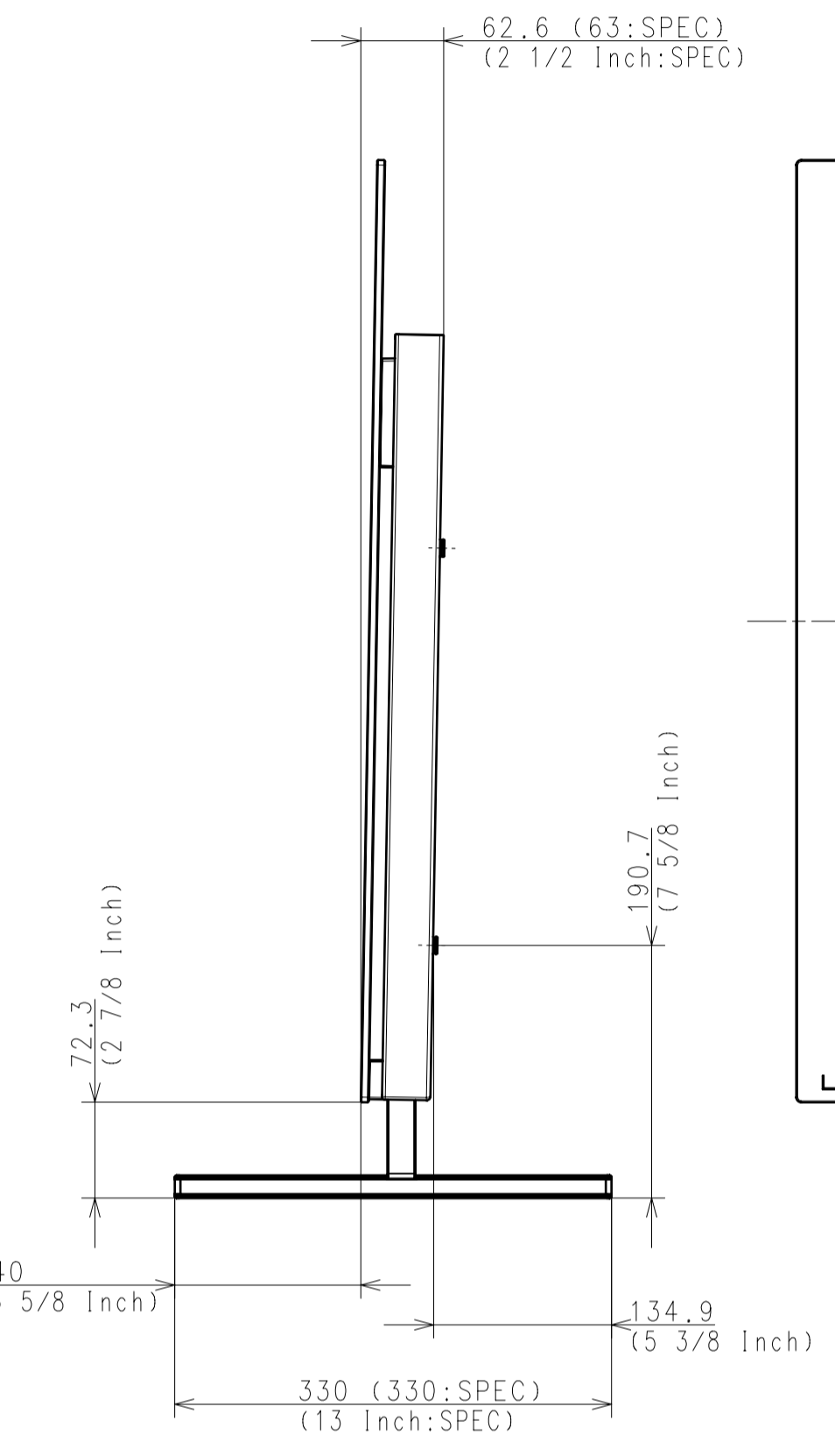
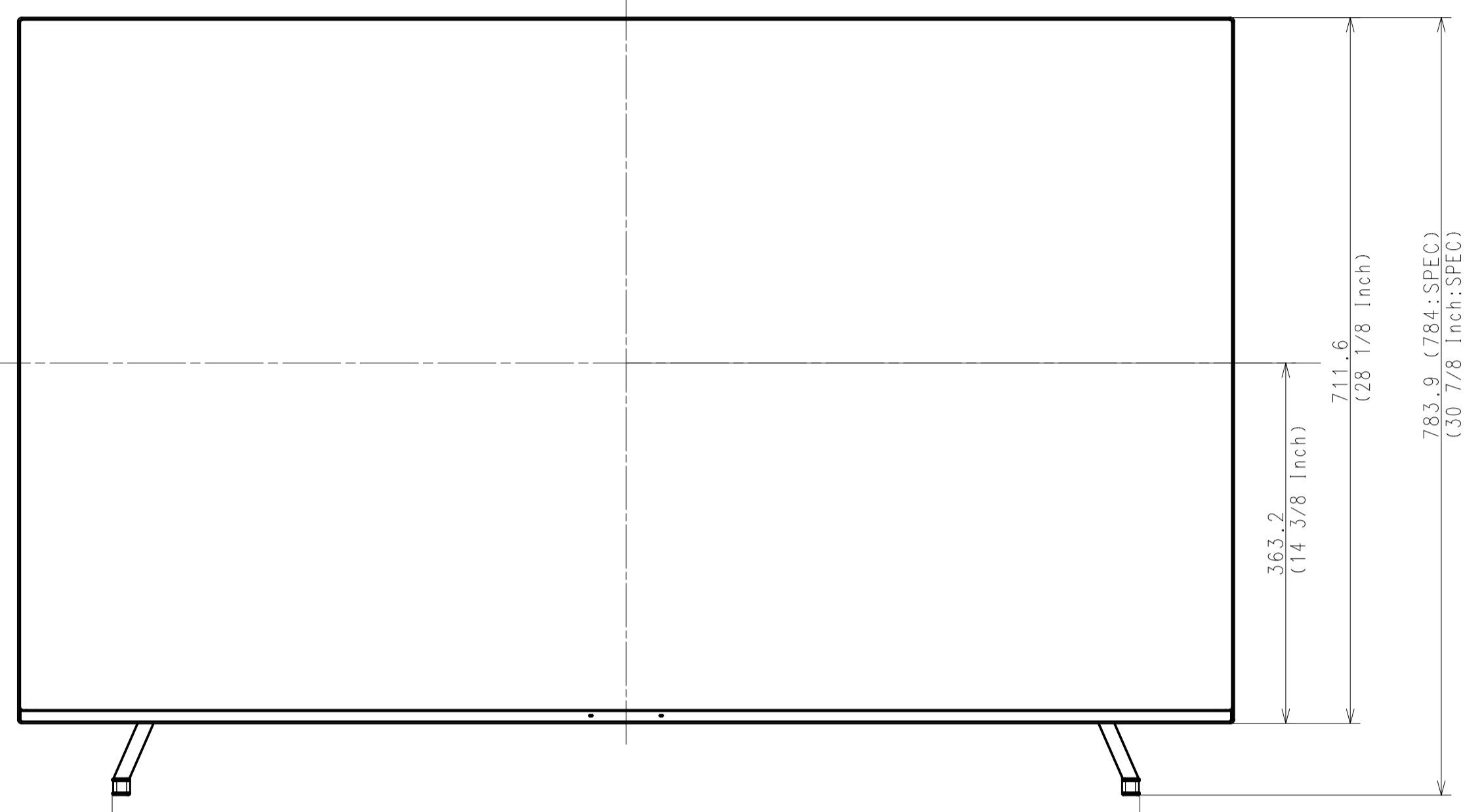
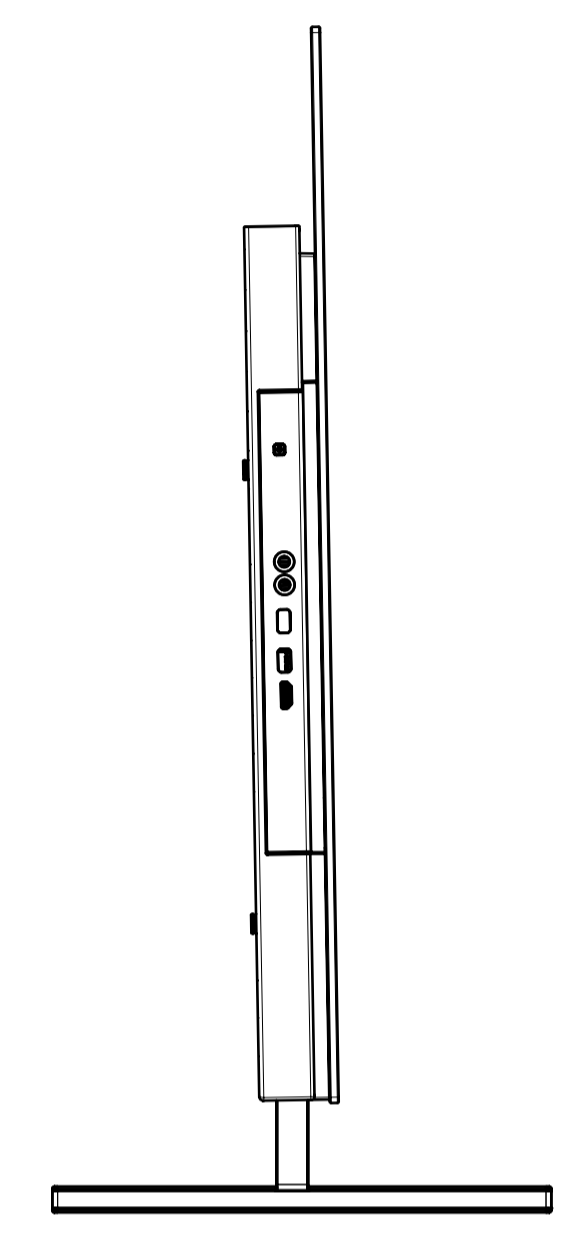
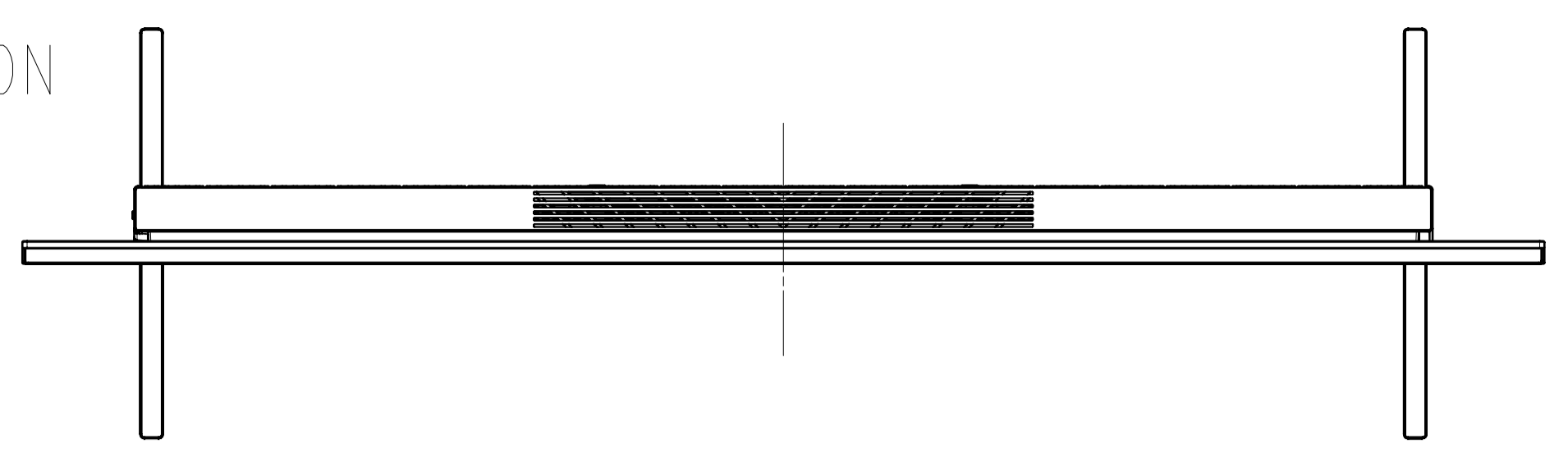
WITH STAND  
STANDARD POSITION



Purchase recycled resins and wire rods only from the business partners that Sony approves as Green Partners.  
再生樹脂・鋼線鋼材はグリーンパートナー 認定受注先から購入してください。

<table border="1"> <tr> <th>DATE OF ISSUE</th> <td>2020.10.14</td> </tr> <tr> <th>DOCUMENT TYPE</th> <td>PART</td> </tr> <tr> <th>TOLERANCING</th> <td>DRAWING</td> </tr> <tr> <th>(JIS 9 000(ISO 001))</th> <td></td> </tr> </table>	DATE OF ISSUE	2020.10.14	DOCUMENT TYPE	PART	TOLERANCING	DRAWING	(JIS 9 000(ISO 001))		<table border="1"> <tr> <th>GENERAL TOLERANCE</th> <td></td> </tr> <tr> <th>MATERIAL COLOR</th> <td></td> </tr> <tr> <th>FINISH COLOR</th> <td></td> </tr> </table>	GENERAL TOLERANCE		MATERIAL COLOR		FINISH COLOR					
DATE OF ISSUE	2020.10.14																		
DOCUMENT TYPE	PART																		
TOLERANCING	DRAWING																		
(JIS 9 000(ISO 001))																			
GENERAL TOLERANCE																			
MATERIAL COLOR																			
FINISH COLOR																			
<table border="1"> <tr> <th>RESPONSIBLE DEPARTMENT</th> <td>SHES TV Div.</td> </tr> <tr> <th>PLANNED BY</th> <td>Miyazaki, Suetatsu</td> </tr> <tr> <th>DRAWN BY</th> <td>Miyazaki, Suetatsu</td> </tr> </table>	RESPONSIBLE DEPARTMENT	SHES TV Div.	PLANNED BY	Miyazaki, Suetatsu	DRAWN BY	Miyazaki, Suetatsu	<table border="1"> <tr> <th>ORIGINAL MODEL</th> <td>55(A80J) EXTERIOR VIEW</td> </tr> <tr> <th>TENTATIVE MODEL</th> <td>55(A80J) EXTERIOR VIEW</td> </tr> <tr> <th>SCALE</th> <td>1:5</td> </tr> <tr> <th>SIZE</th> <td>A1</td> </tr> <tr> <th>UNIT</th> <td>mm</td> </tr> <tr> <th>SHEET/PAGES</th> <td>1/4</td> </tr> </table>	ORIGINAL MODEL	55(A80J) EXTERIOR VIEW	TENTATIVE MODEL	55(A80J) EXTERIOR VIEW	SCALE	1:5	SIZE	A1	UNIT	mm	SHEET/PAGES	1/4
RESPONSIBLE DEPARTMENT	SHES TV Div.																		
PLANNED BY	Miyazaki, Suetatsu																		
DRAWN BY	Miyazaki, Suetatsu																		
ORIGINAL MODEL	55(A80J) EXTERIOR VIEW																		
TENTATIVE MODEL	55(A80J) EXTERIOR VIEW																		
SCALE	1:5																		
SIZE	A1																		
UNIT	mm																		
SHEET/PAGES	1/4																		

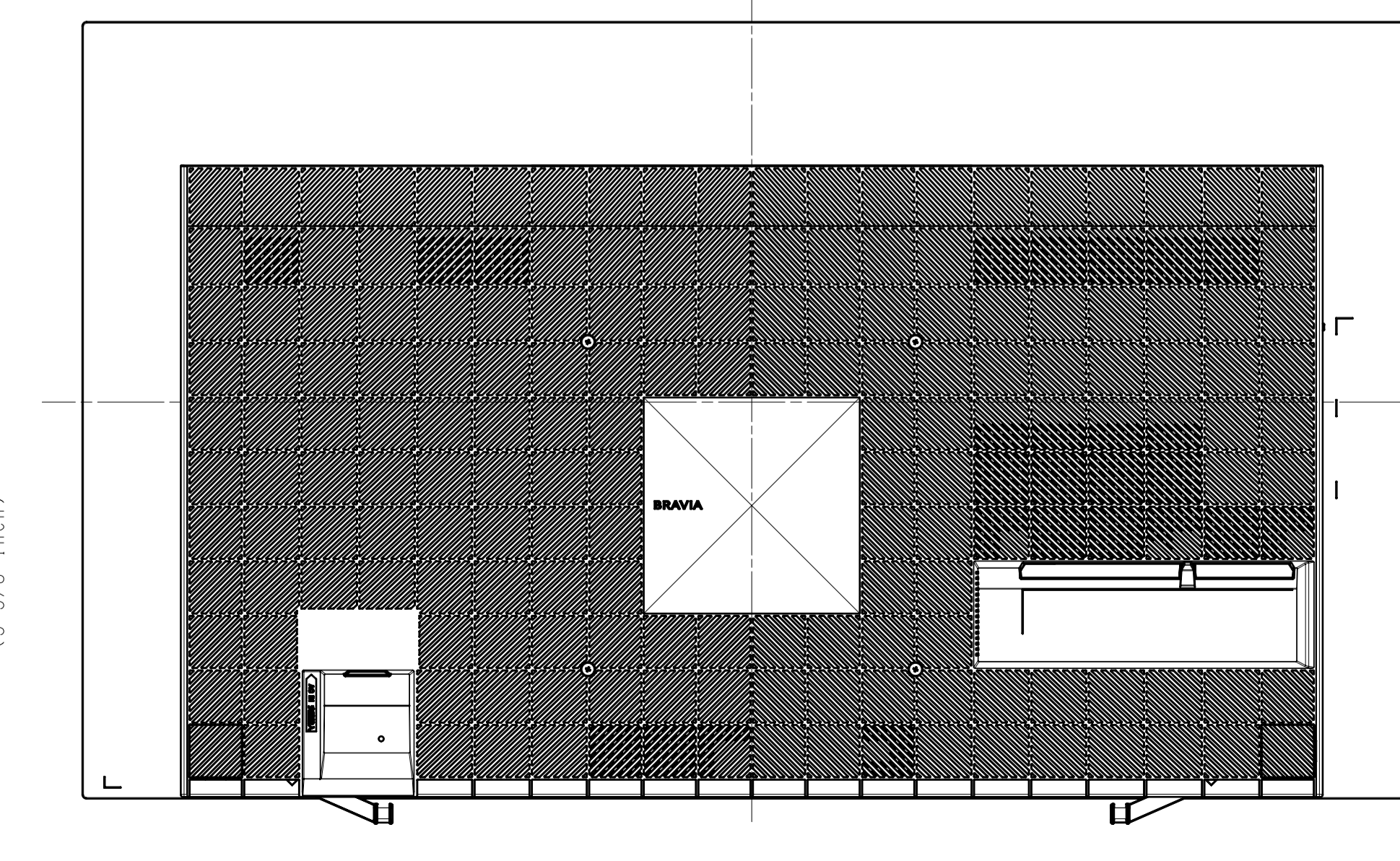
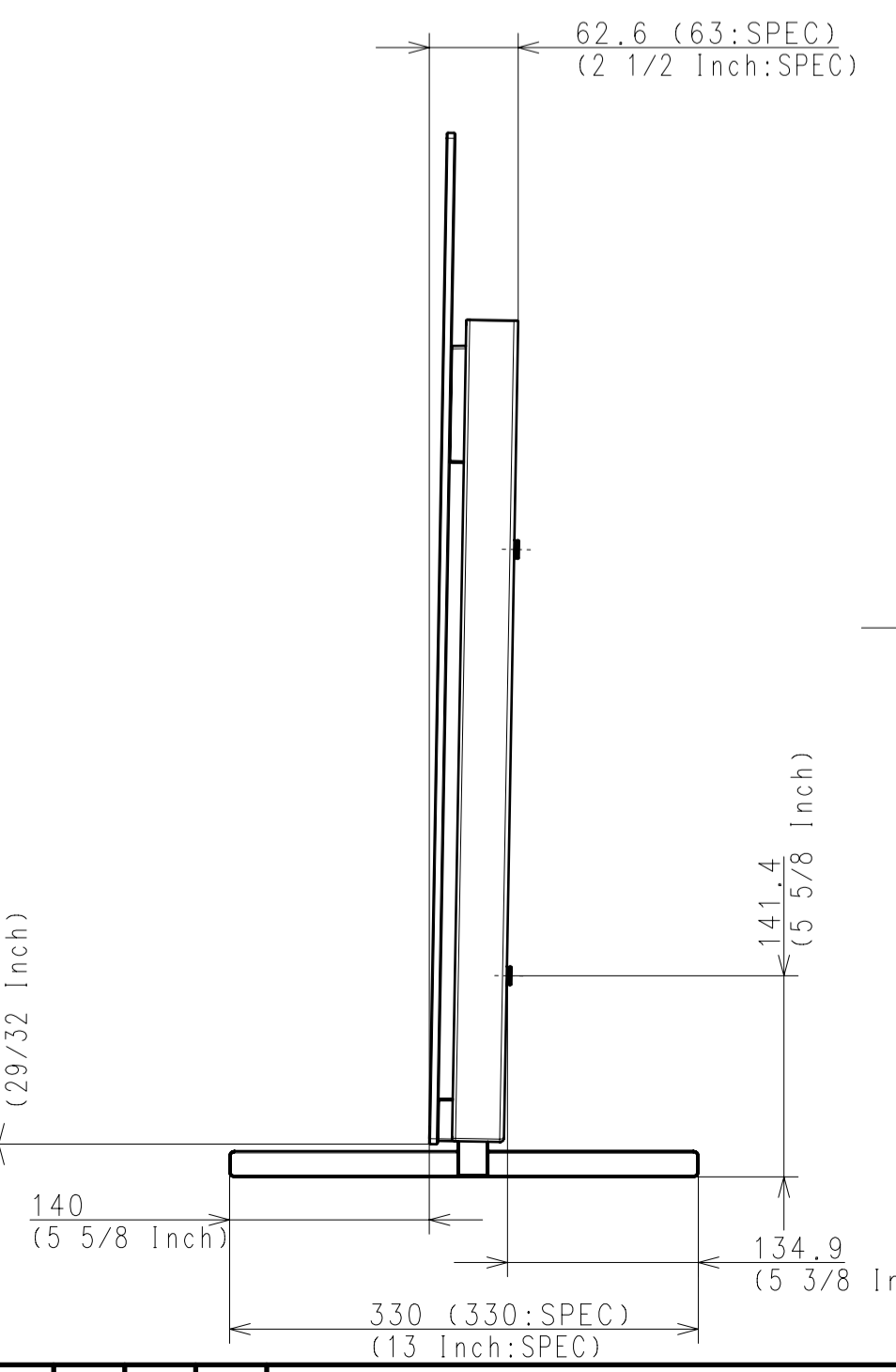
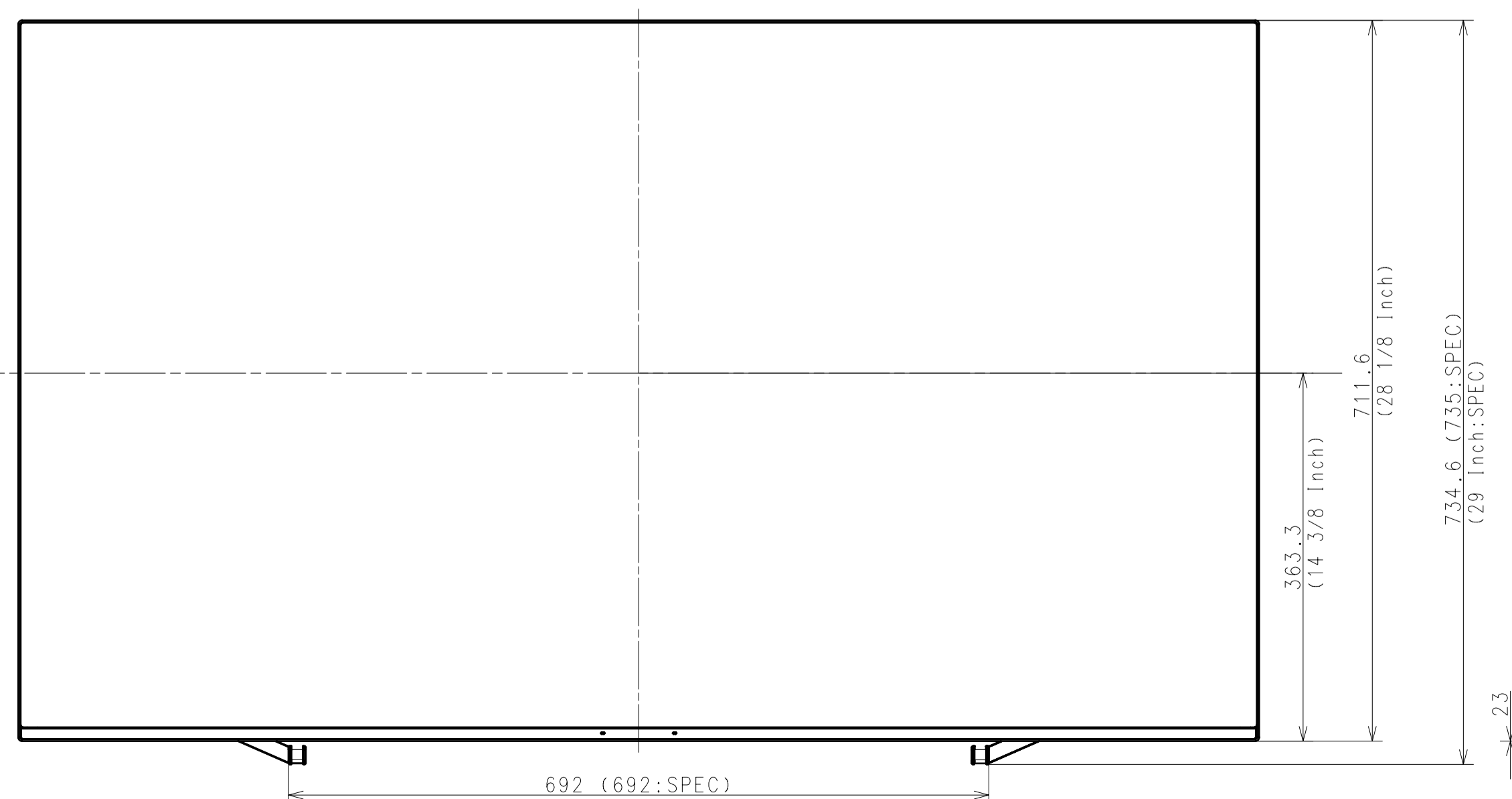
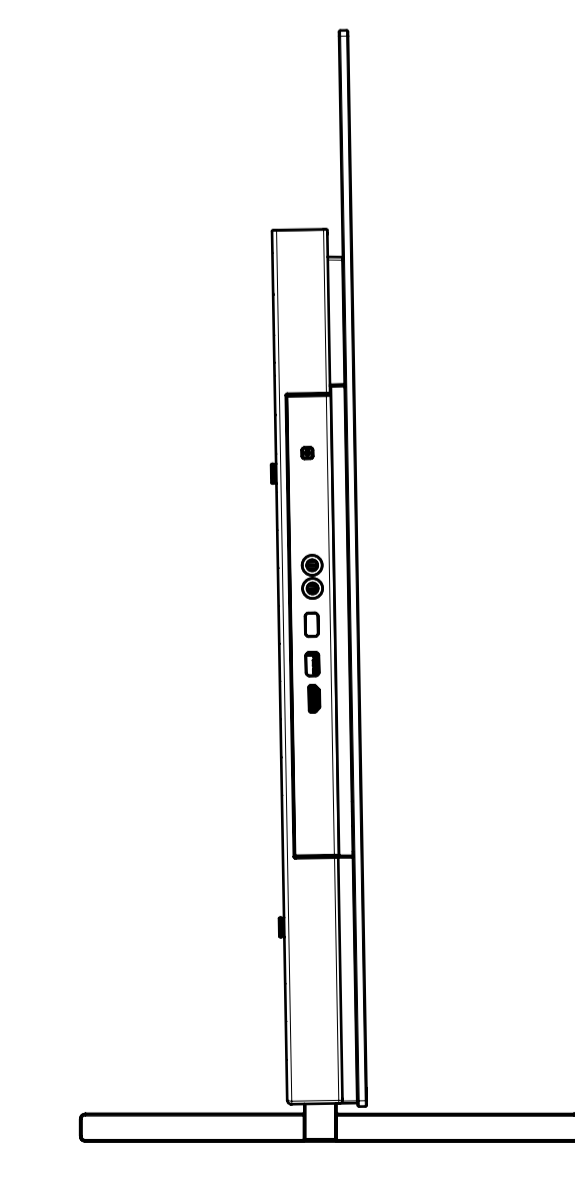
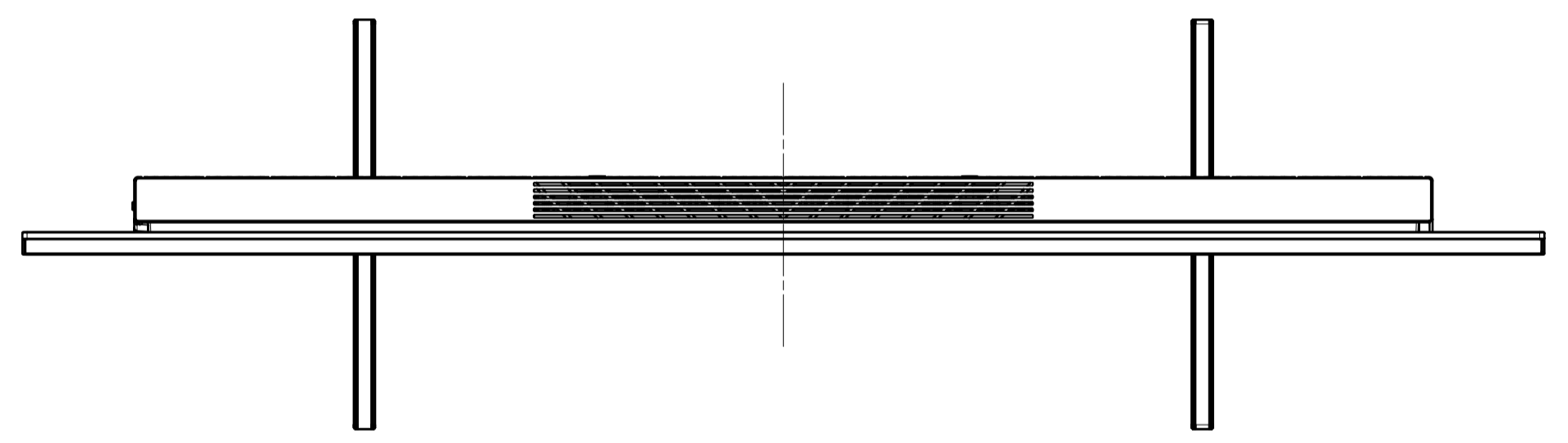
WITH STAND  
SOUND BAR POSITION



DRAWING

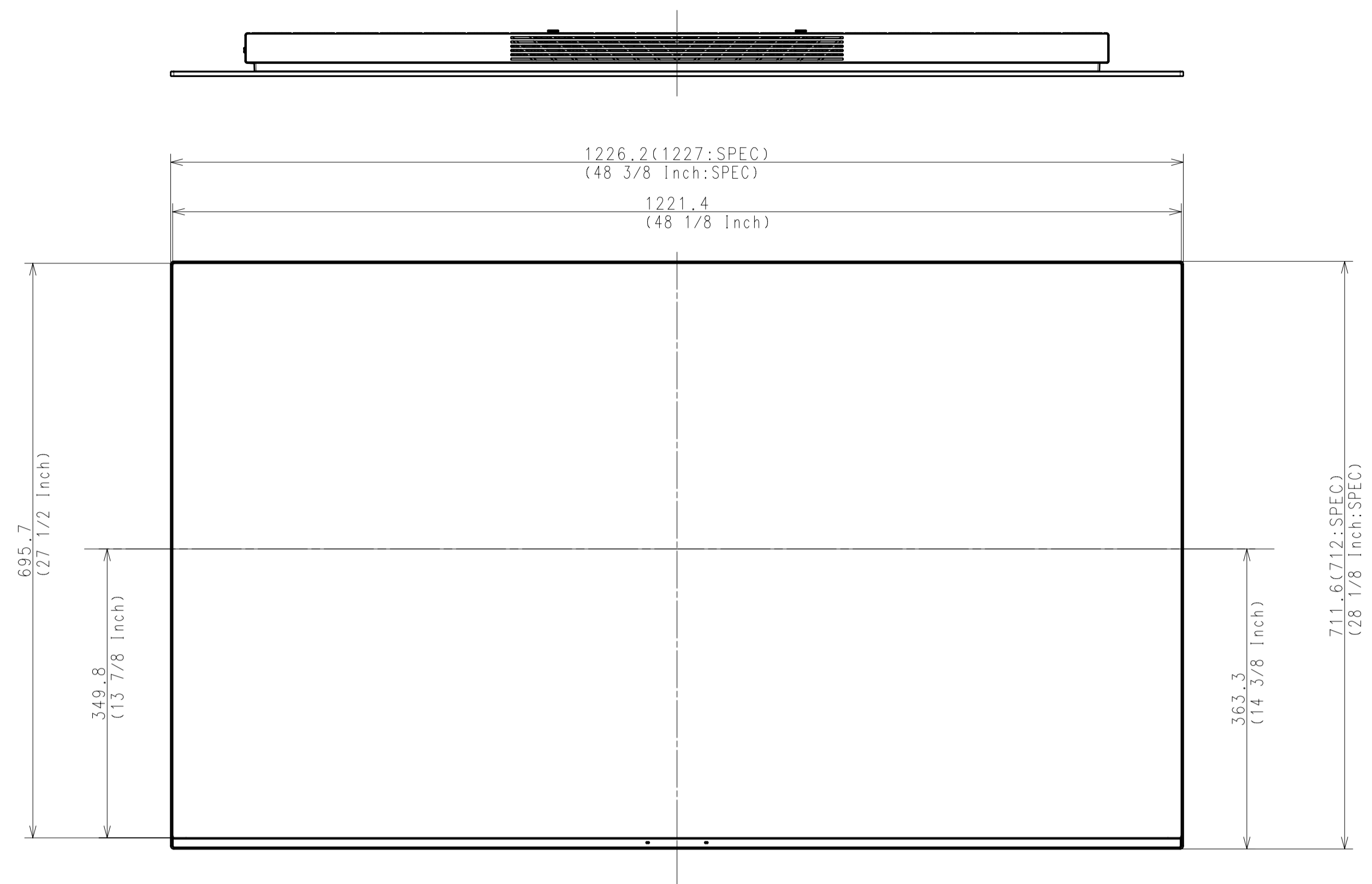
SONY STANDARD

WITH STAND  
NARROW POSITION

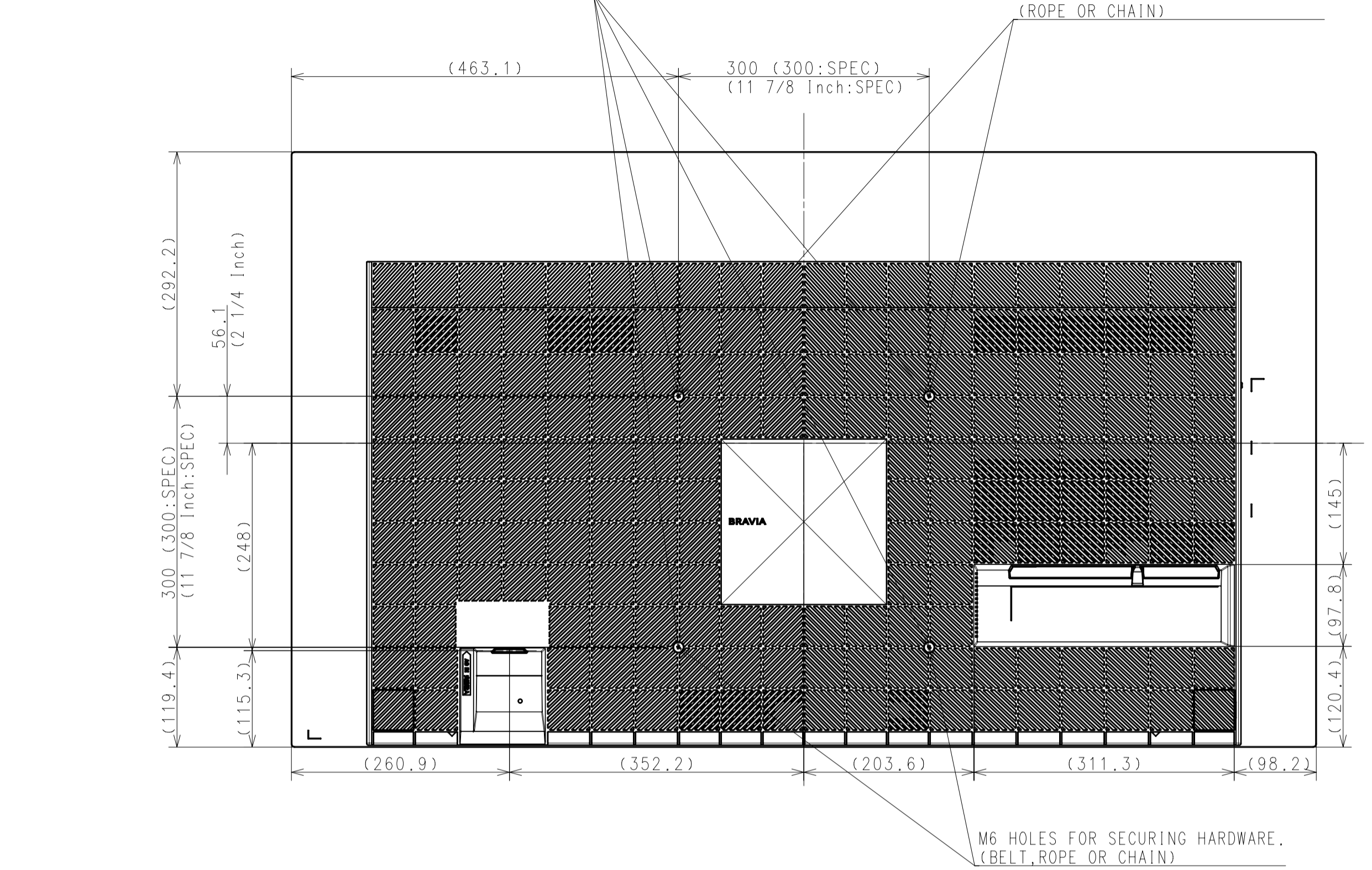


DESCRIPTION 1	LEGAL OWNER	SCALE
55(A80J) EXTERIOR VIEW	Sony Corporation	1:5
DESCRIPTION 2	PART NO.	SHEET/PAGES
55(A80J) EXTERIOR VIEW		2 / 4

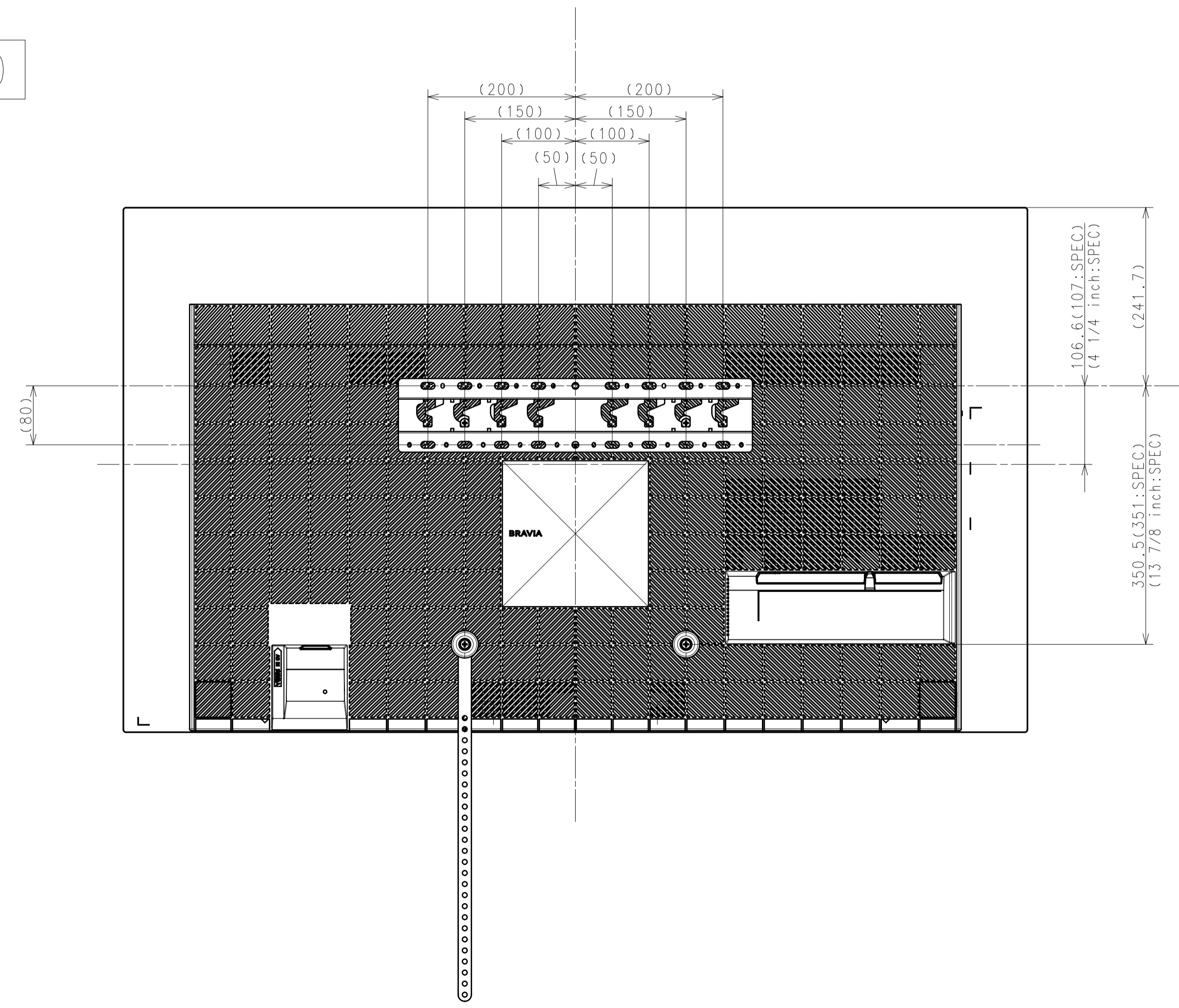
WITHOUT STAND



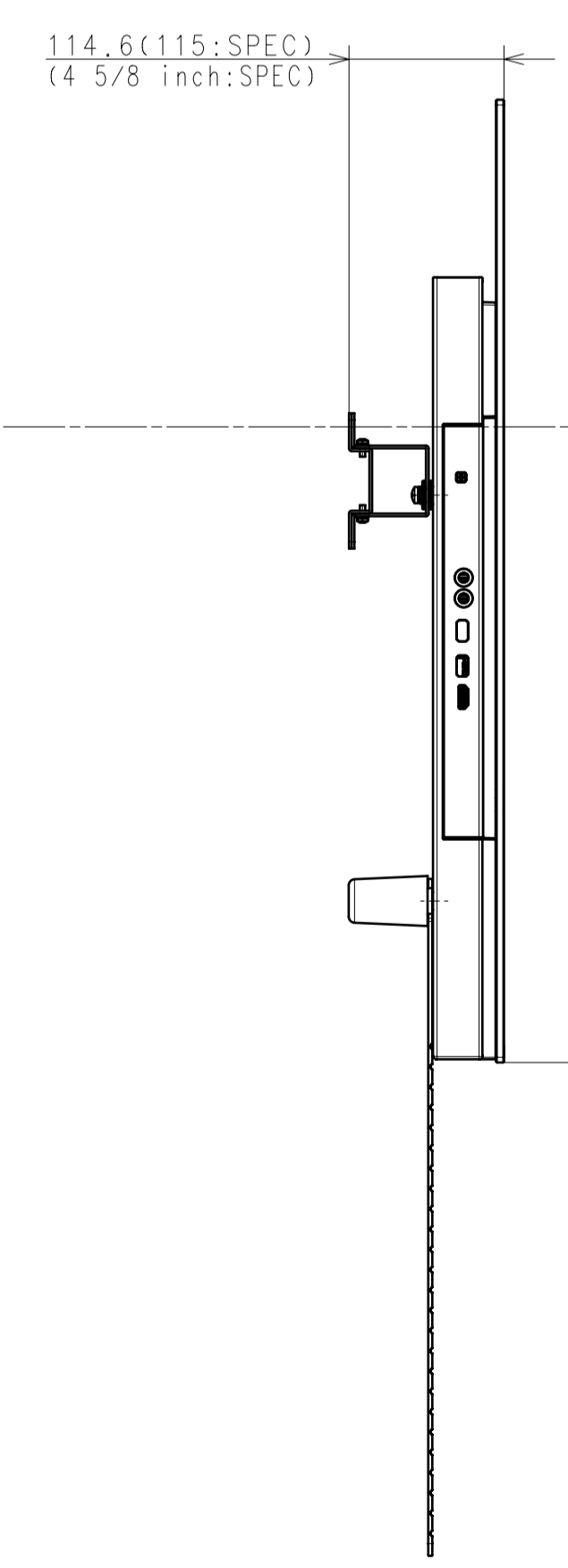
M6 HOLES FOR WALL MOUNT BRACKET  
\*REFER TO INSTRUCTION MANUAL FOR SCREW LENGTH INFORMATION



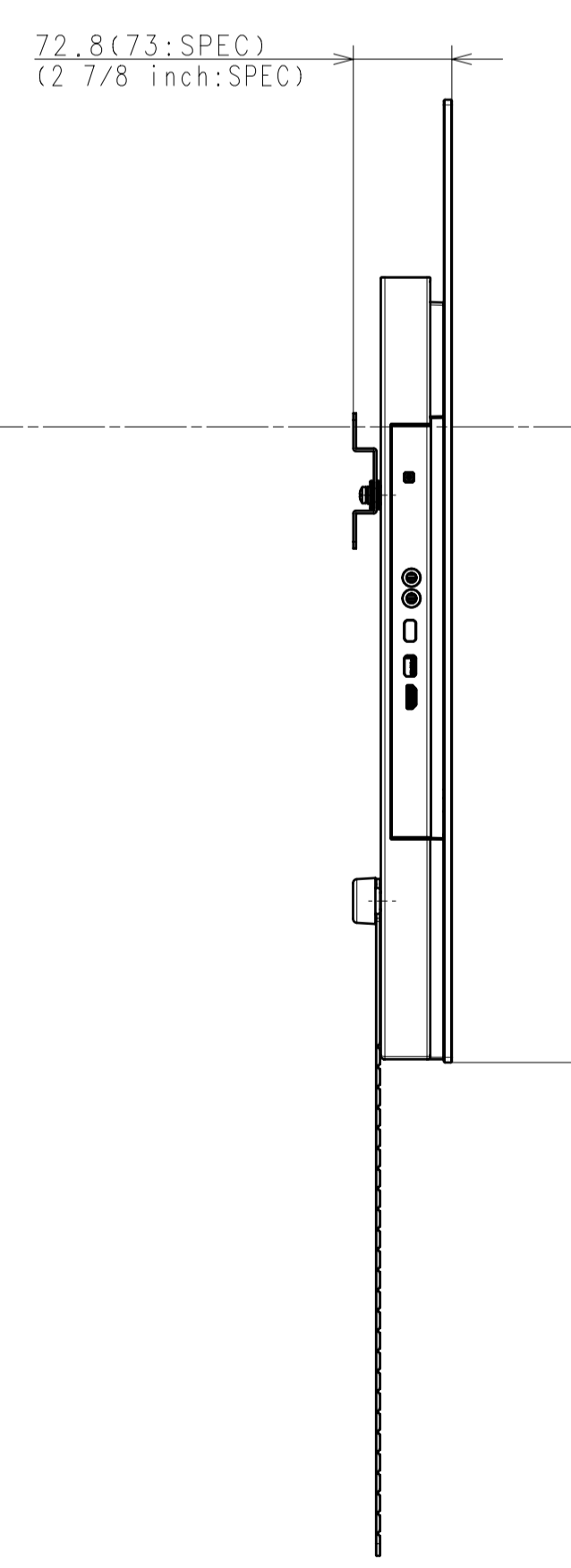
SU-WL450



STANDARD MOUNT



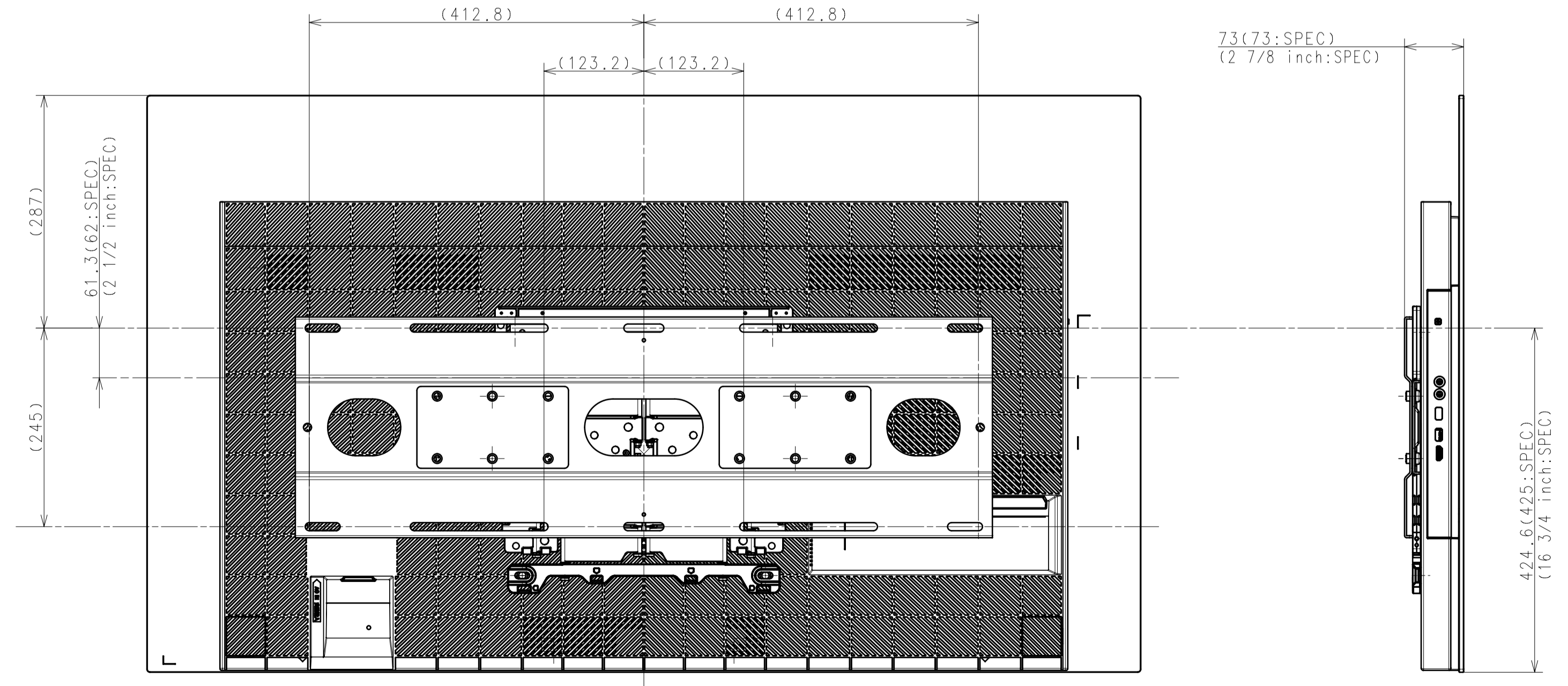
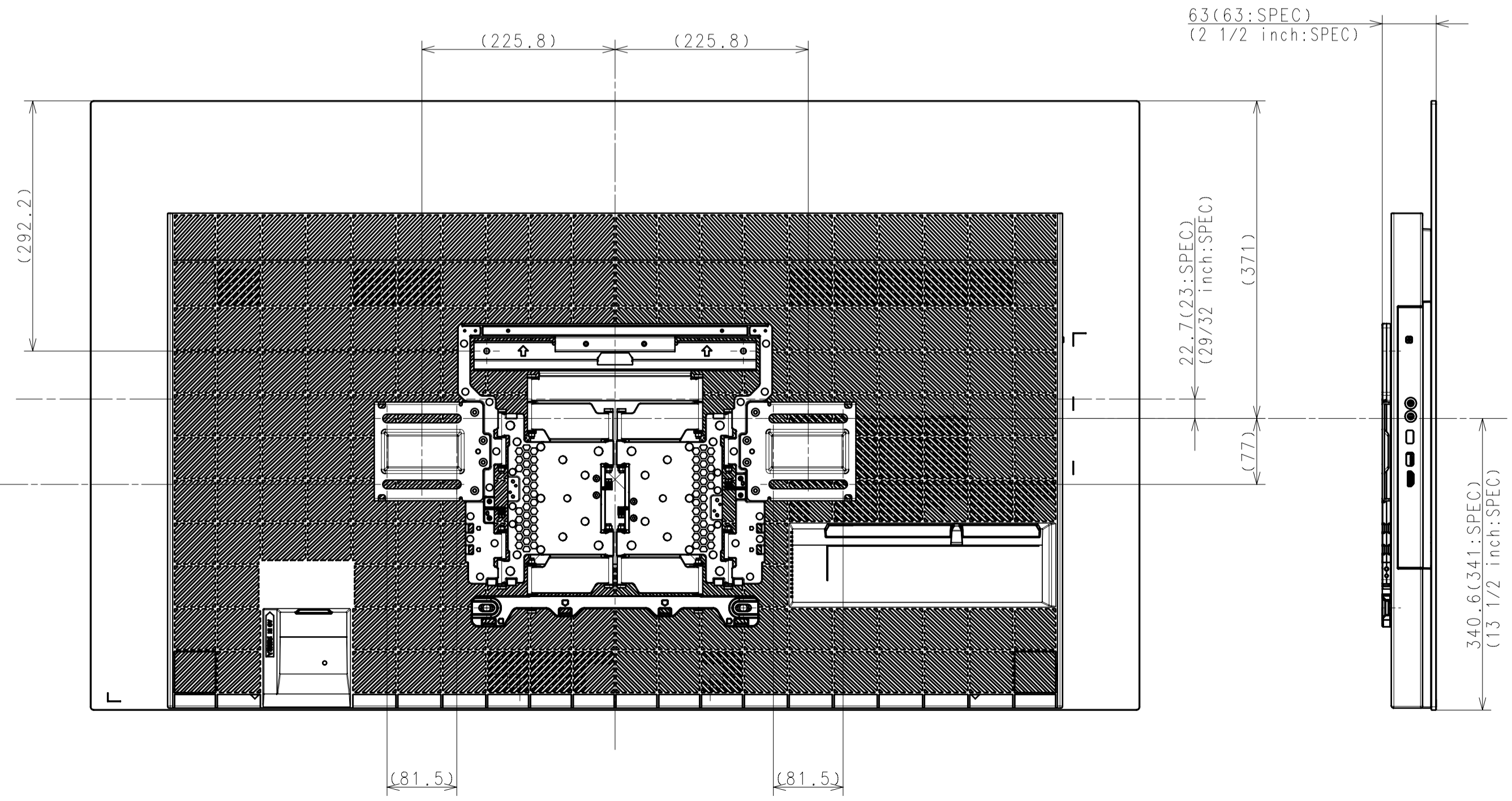
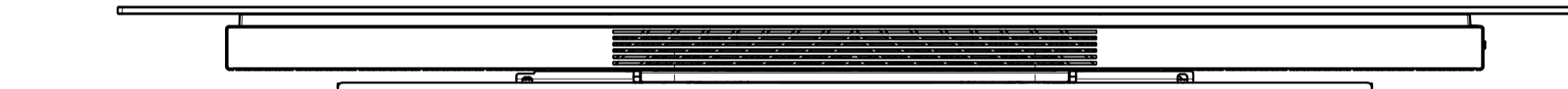
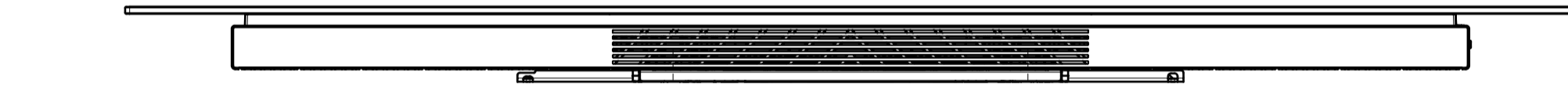
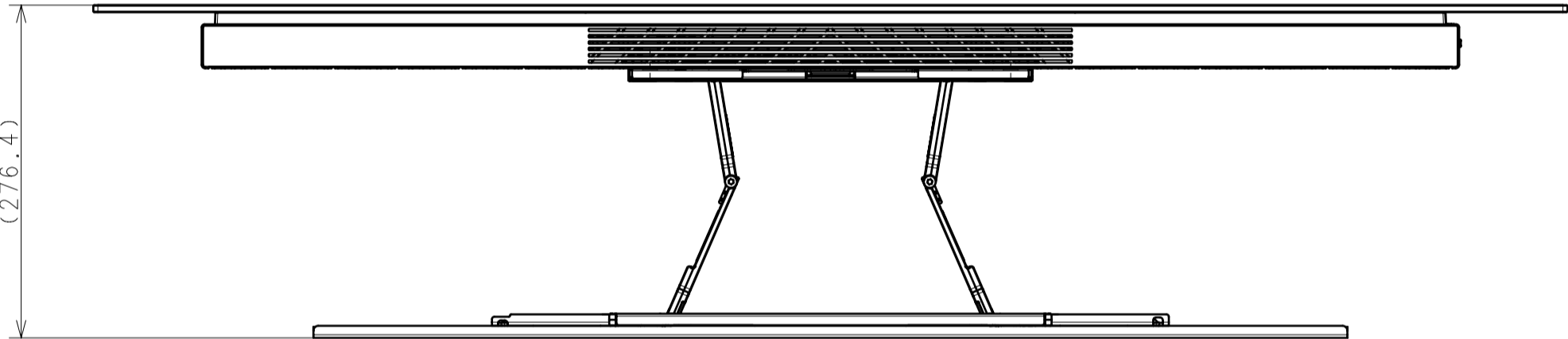
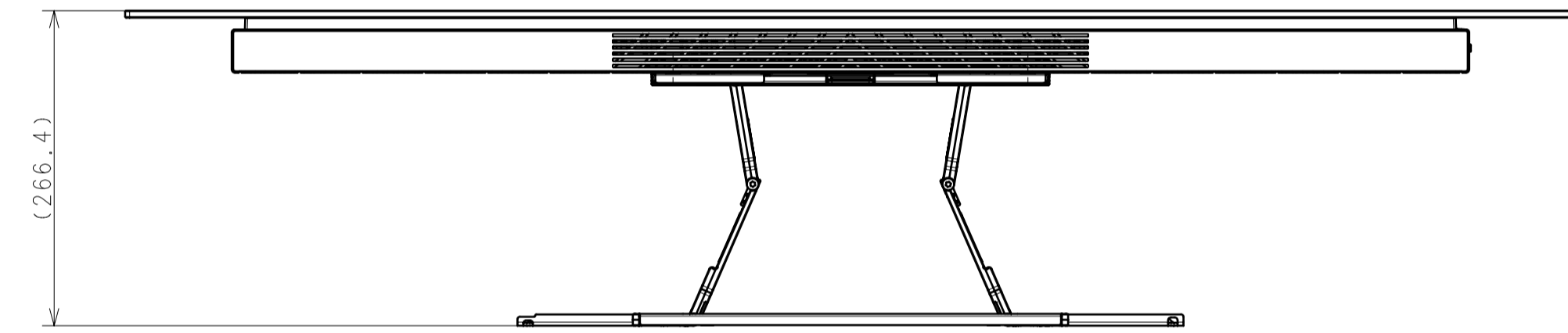
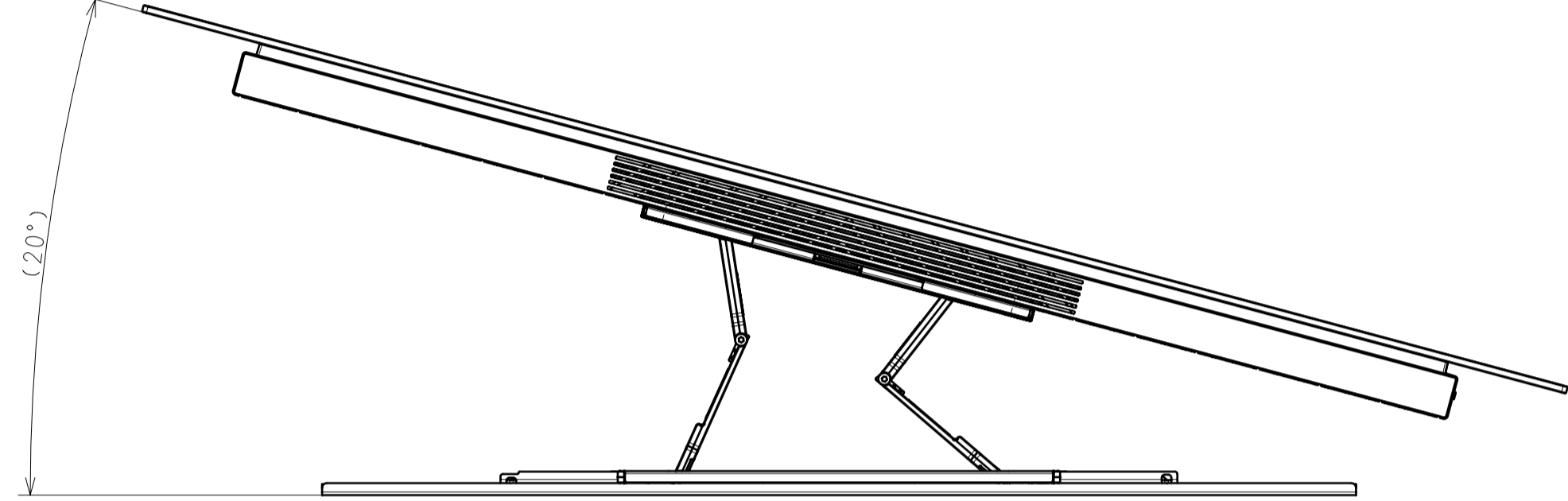
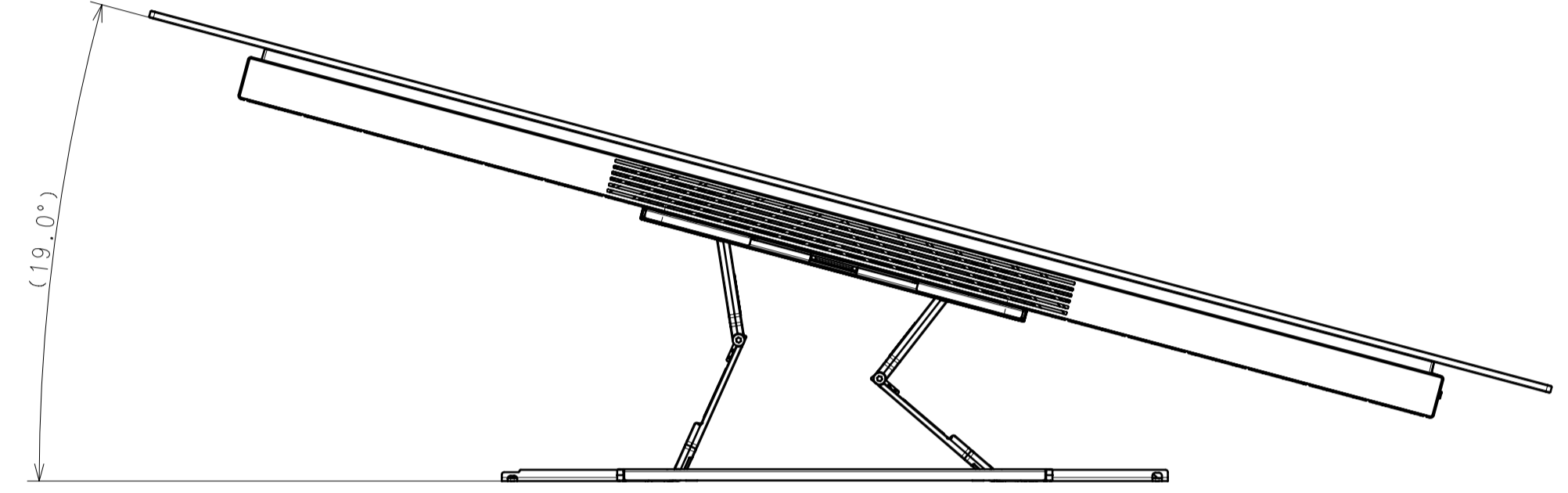
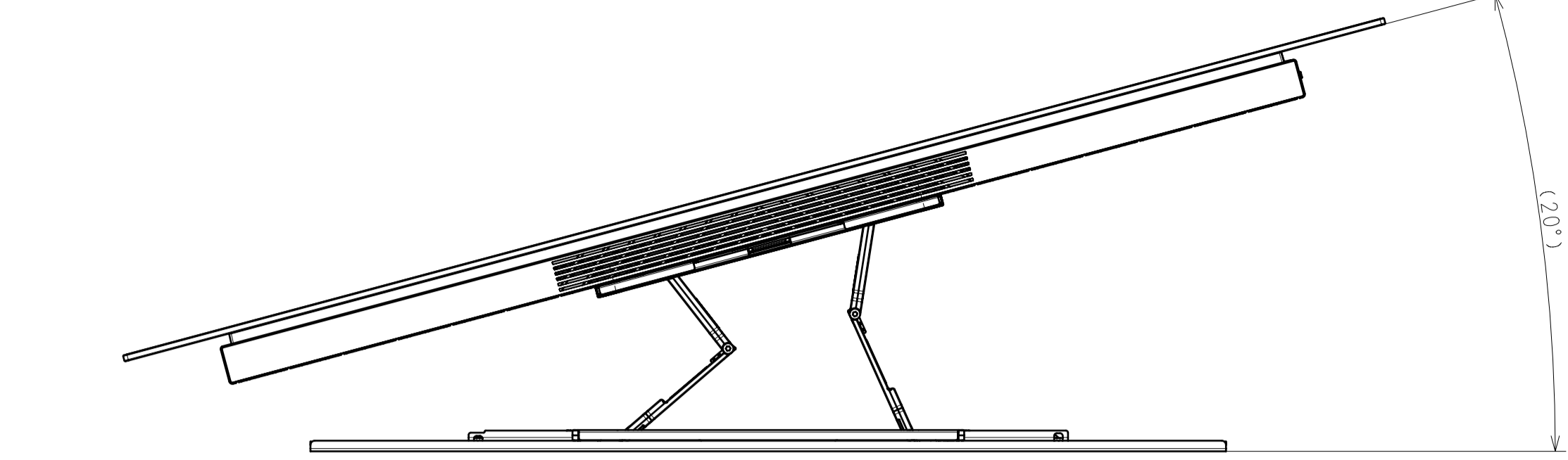
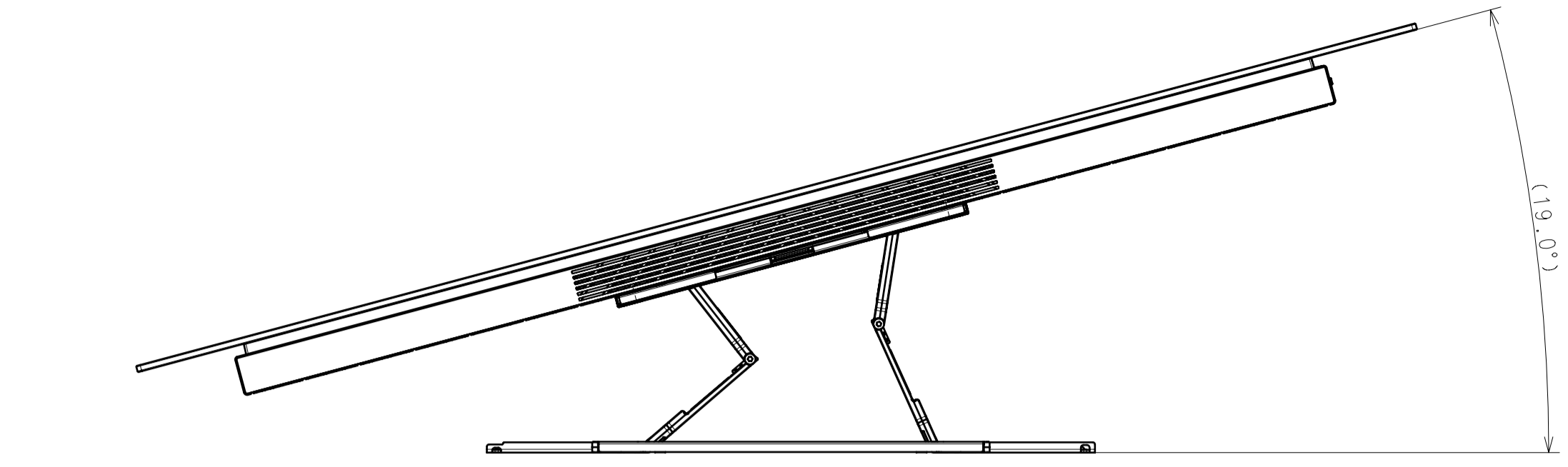
SLIM MOUNT



DESCRIPTION1 55(A80J) EXTERIOR VIEW	LEGAL OWNER Sony Corporation	SCALE 1:5
DESCRIPTION2 55(A80J) EXTERIOR VIEW	PART NO.	SHEET/PAGES 3 / 4

SU-WL850

SU-WL850



DESCRIPTION:	55(A80J) EXTERIOR VIEW	LEGAL OWNER:	Sony Corporation	SCALE:	1:5
DESCRIPTION(2):	55(A80J) EXTERIOR VIEW	PART NO.:		SHEET/PAGES:	4 / 4