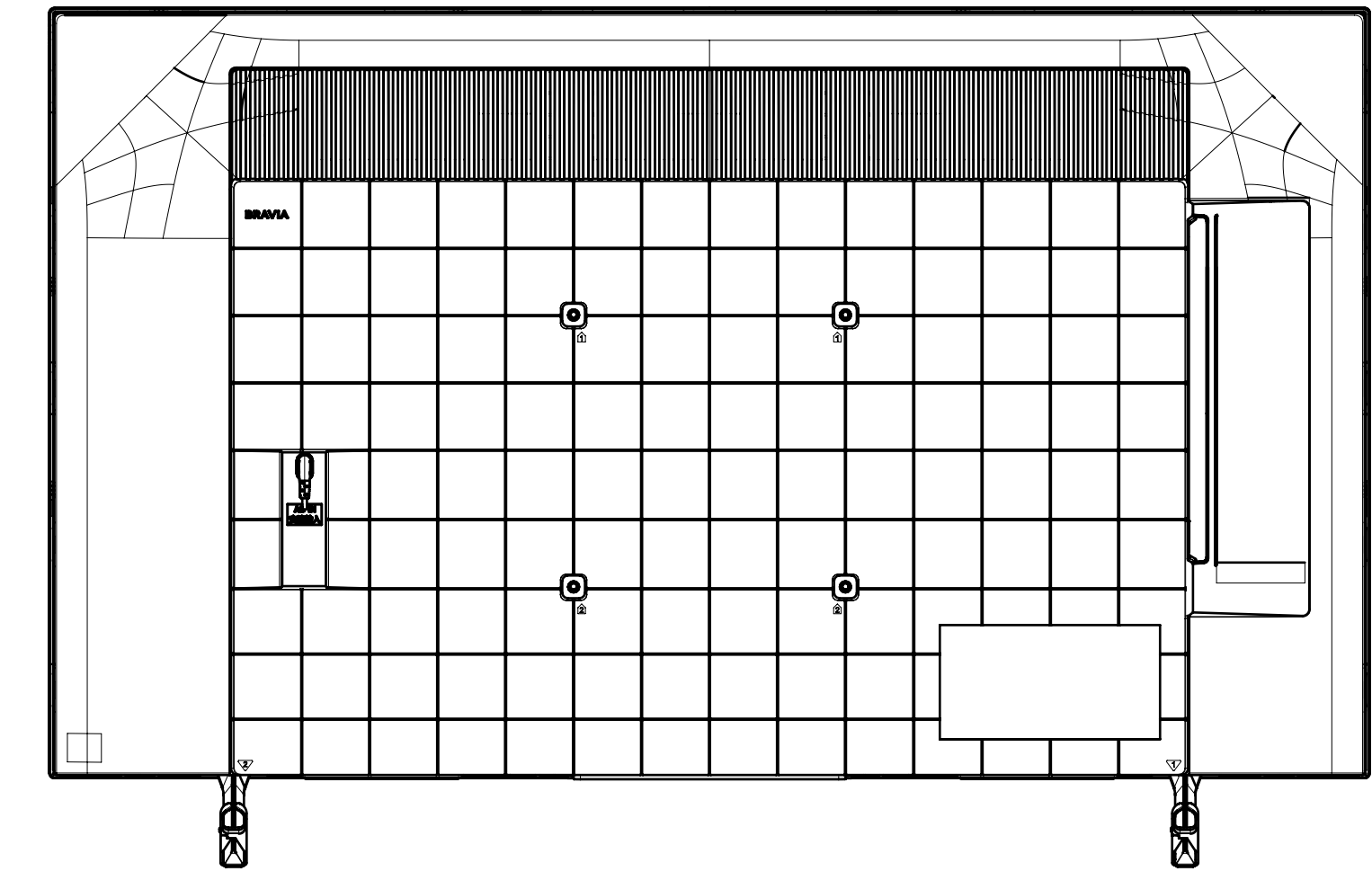
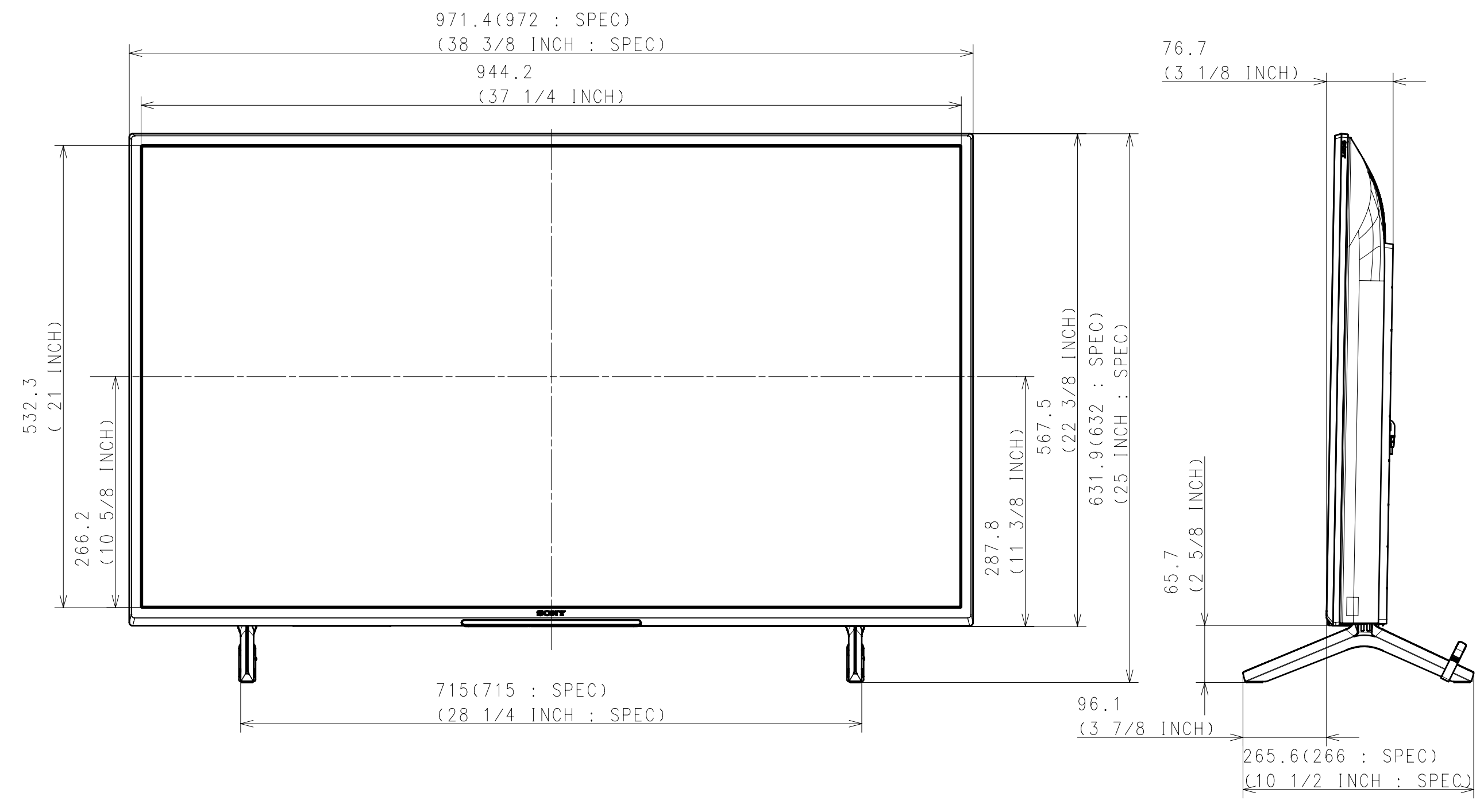
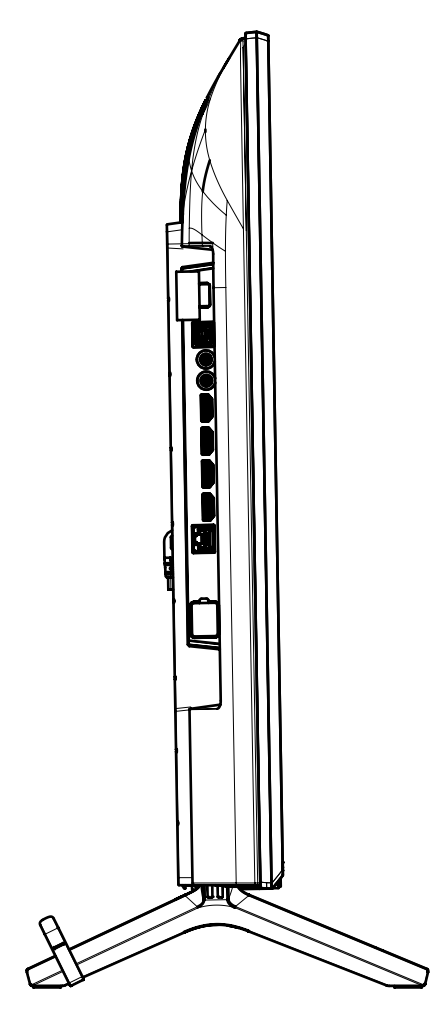
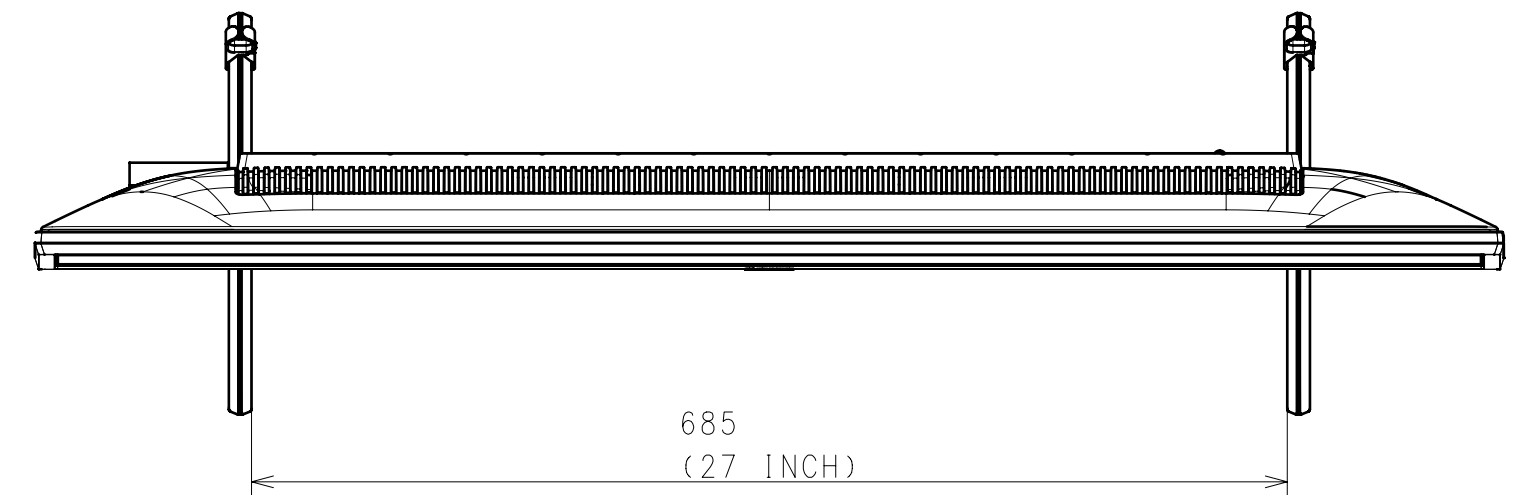


Area	NORTH AMERICA	LATIN AMERICA	GENERAL AREA
Model Name	KD-43X77L	KD-43X77L	KD-43X77L
SV No.	SV-41384	SV-41396	SV-41438
DIMENSION	TV only (W x H x D)	972 x 567 x 70 mm / 38 3/8 x 22 3/8 x 2 7/8 inch	972 x 567 x 70 mm
	TV only with camera (W x H x D)	-	-
	TV with Stand (Standard position) (W x H x D)	972 x 632 x 266 mm / 38 3/8 x 25 x 10 1/2 inch	972 x 632 x 266 mm
	TV with Stand (Narrow position) (W x H x D)	-	-
	TV with Stand (Soundbar position) (W x H x D)	-	-
	TV with Stand (Front position style) (W x H x D)	-	-
	TV with Stand (Back position style) (W x H x D)	-	-
	TV with Floor Stand (W x H x D)	-	-
	Stand Width (Standard position)	715 mm / 28 1/4 inch	715 mm
	Stand Width (Narrow position)	-	-
	Stand Width (Soundbar position)	-	-
	Stand Width (Front position style)	-	-
	Stand Width (Back position style)	-	-
	Floor Stand Width	-	-
VESA Hole Pitch	200 x 200 mm / 7 7/8 x 7 7/8 inch	200 x 200 mm	200 x 200 mm
WEIGHT	TV Only	9.3 kg / 20.5 lb	9.3 kg
	TV with Stand (Standard position)	9.5 kg / 21 lb	9.5 kg
	TV with Stand (Narrow position)	-	-
	TV with Stand (Soundbar position)	-	-
	TV with Stand (Front/Back position style)	-	-
	TV with Floor Stand	-	-
	Floor Stand weight (Supply)	-	-
Remarks			

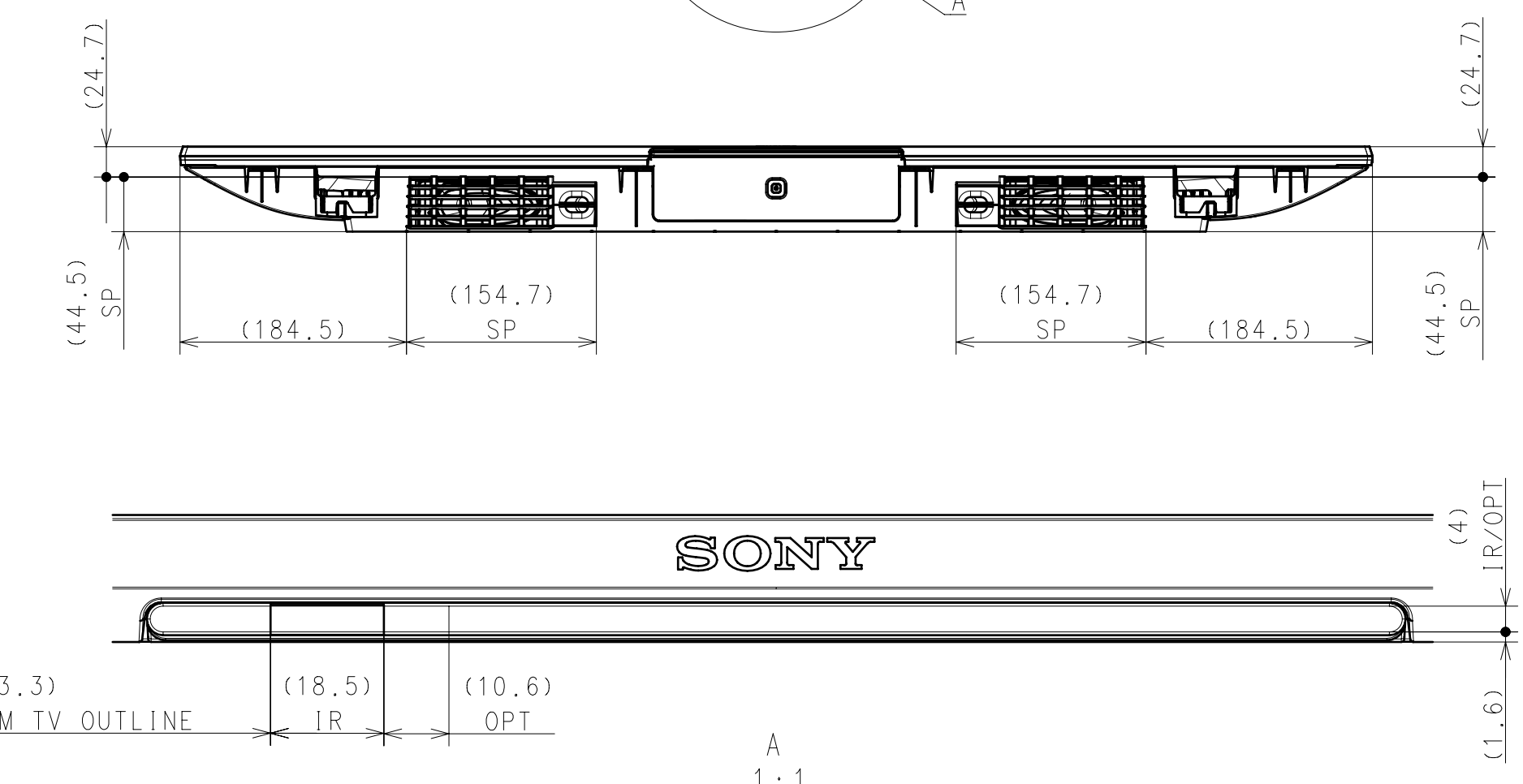
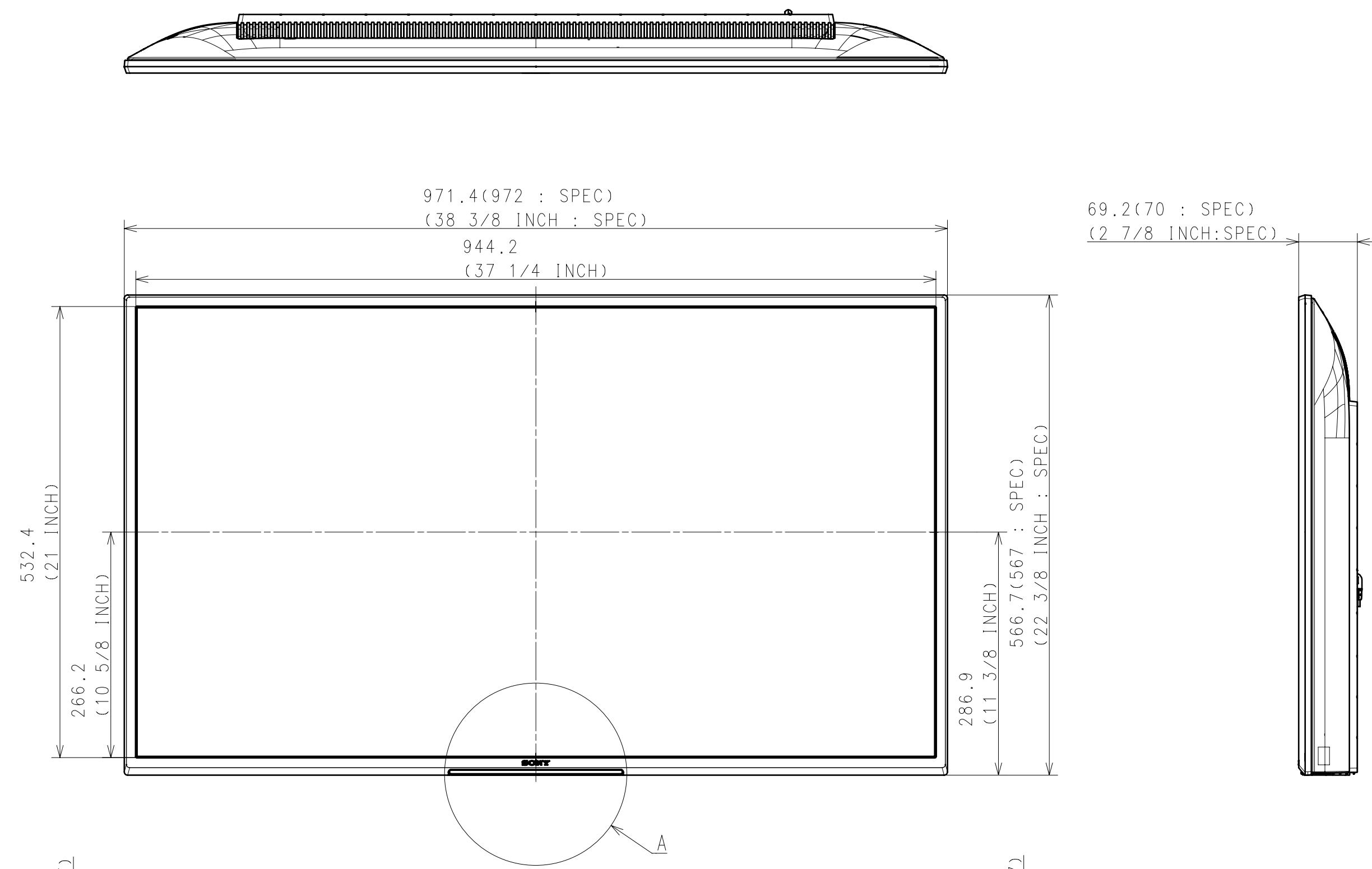
WITH STAND



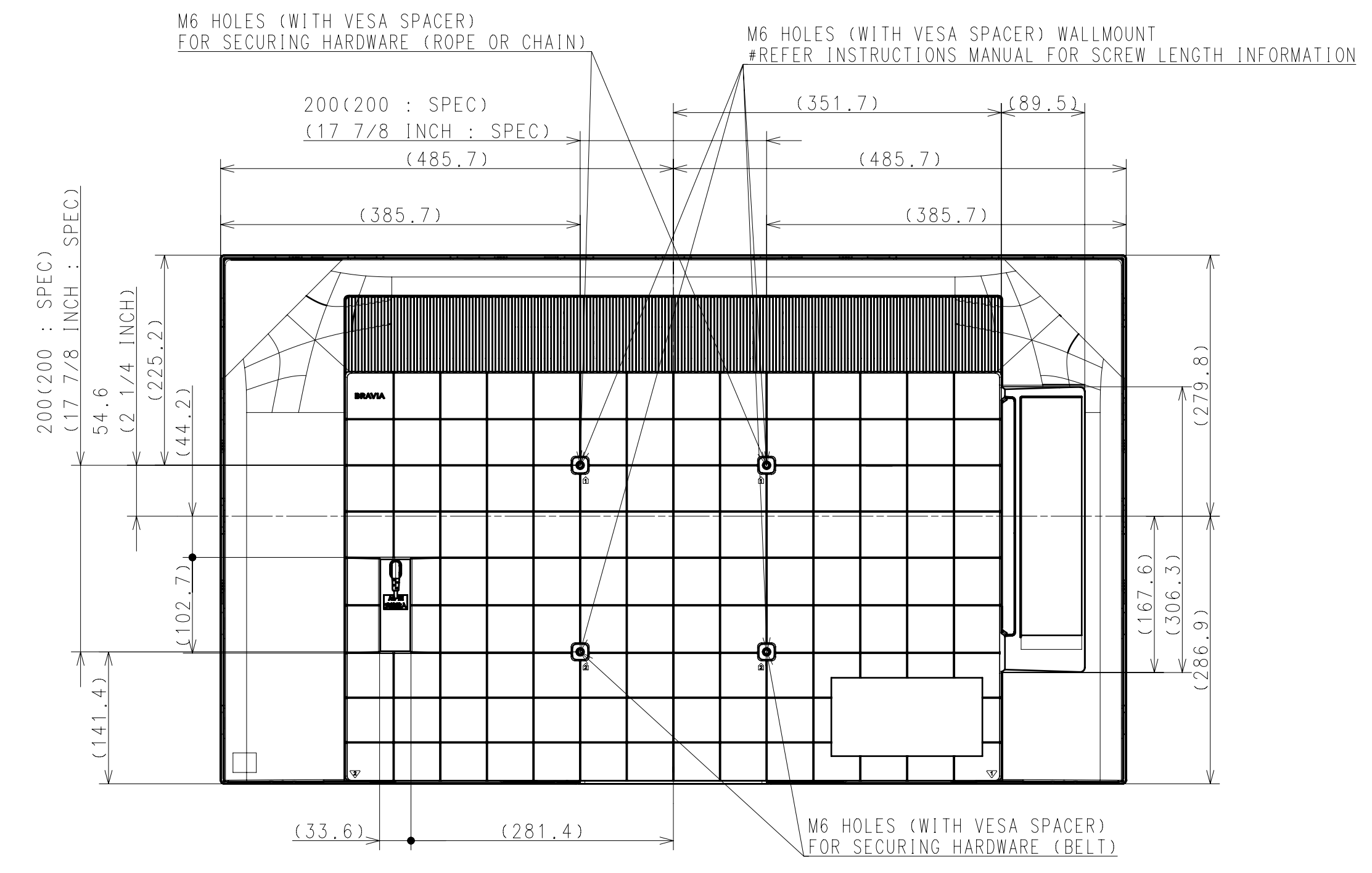
Purchase recycled resins and wire rods only from the business partners that Sony approves as Green Partners.
再生樹脂・銅線材はグリーンパートナー認定者からの調達を促すこと。

HISTORY COUNT LEGAL OWNER RESPONSIBLE DEPARTMENT PLANNED BY DRAWN BY		SUFFIX AREA NO. DATE DATE DATE		RELEASE NO. DATE REVISION SIGN		GENERAL TOLERANCE DATE OF ISSUE DOCUMENT TYPE ASSEMBLY TOLERANCING DRAWING (JIS & JWEI/ISO BASIS)	
RESPONSIBLE DEPARTMENT ORIGINAL MODEL DESCRIPTIONS 43(X77L) EXTERIOR VIEW 43(X77L) EXTERIOR VIEW		SCALE 1:5 TENTATIVE MODEL SIZE A1 UNIT mm		MATERIAL COLOR FINISH COLOR SHEET/PAGES 1/3		SHEET/PAGES 1/3	

WITHOUT STAND



A
1:1



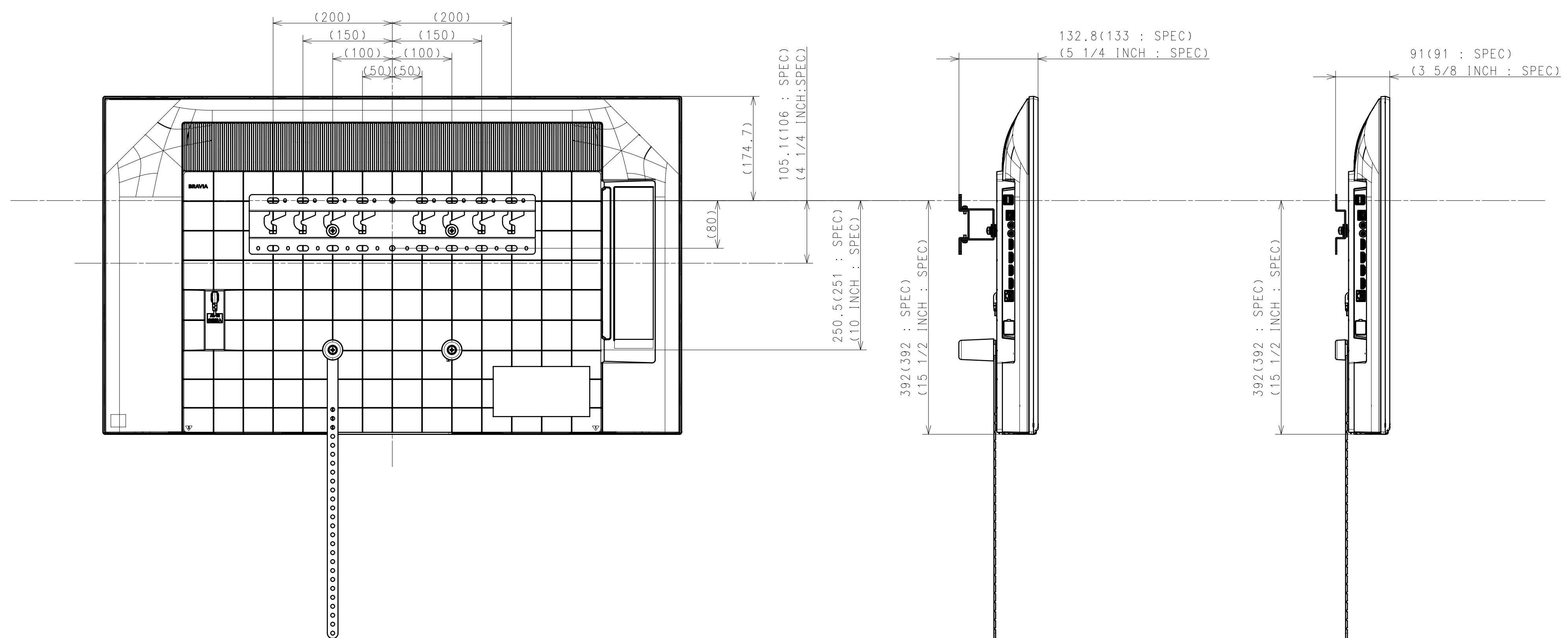
FOR NORTH AMERICA, LATIN AMERICA, GENERAL AREA

DESCRIPTION1 43(X77L) EXTERIOR VIEW	LEGAL OWNER Sony Corporation	SCALE 1:5
DESCRIPTION2 43(X77L) EXTERIOR VIEW	PART NO.	SHEET/PAGES 2 / 3

SU-WL450

STANDARD

SLIM



DRAWING

SONY STANDARD

DESCRIPTION(1)	LEGAL OWNER	SCALE
43(X77L) EXTERIOR VIEW	Sony Corporation	1:5
DESCRIPTION(2)	PART NO.	SHEET/PAGES
43(X77L) EXTERIOR VIEW		3 / 3