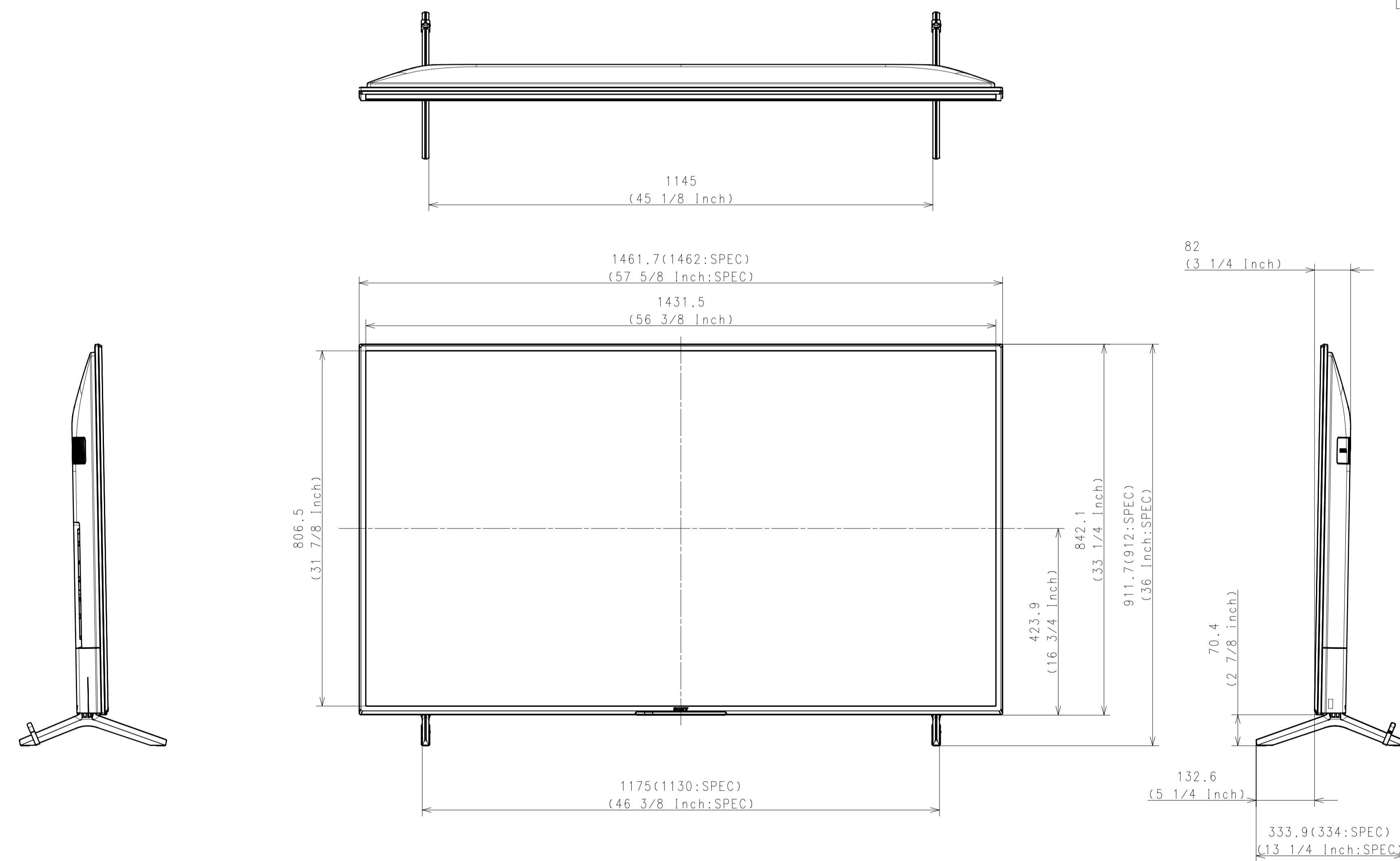
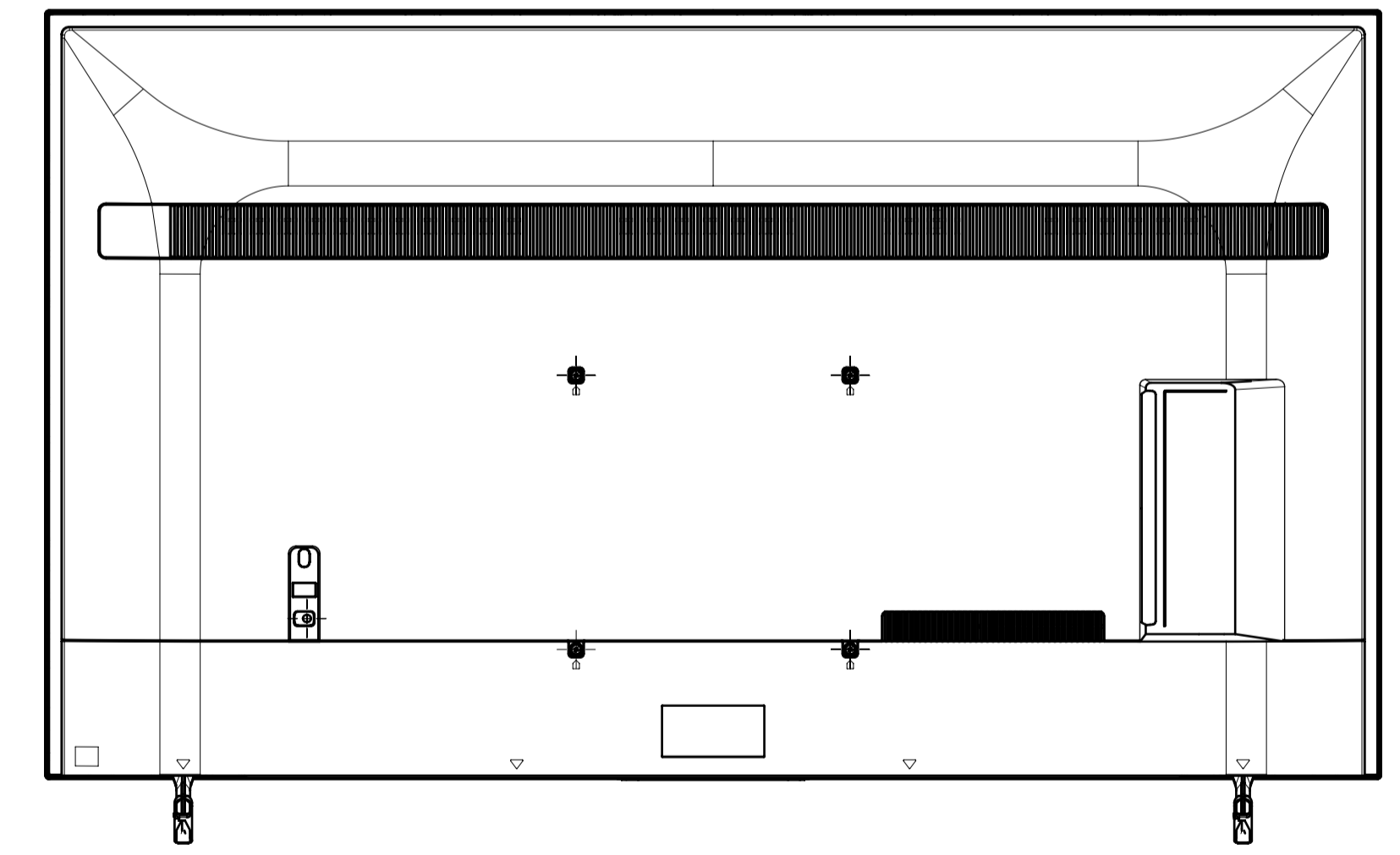


WITH STAND



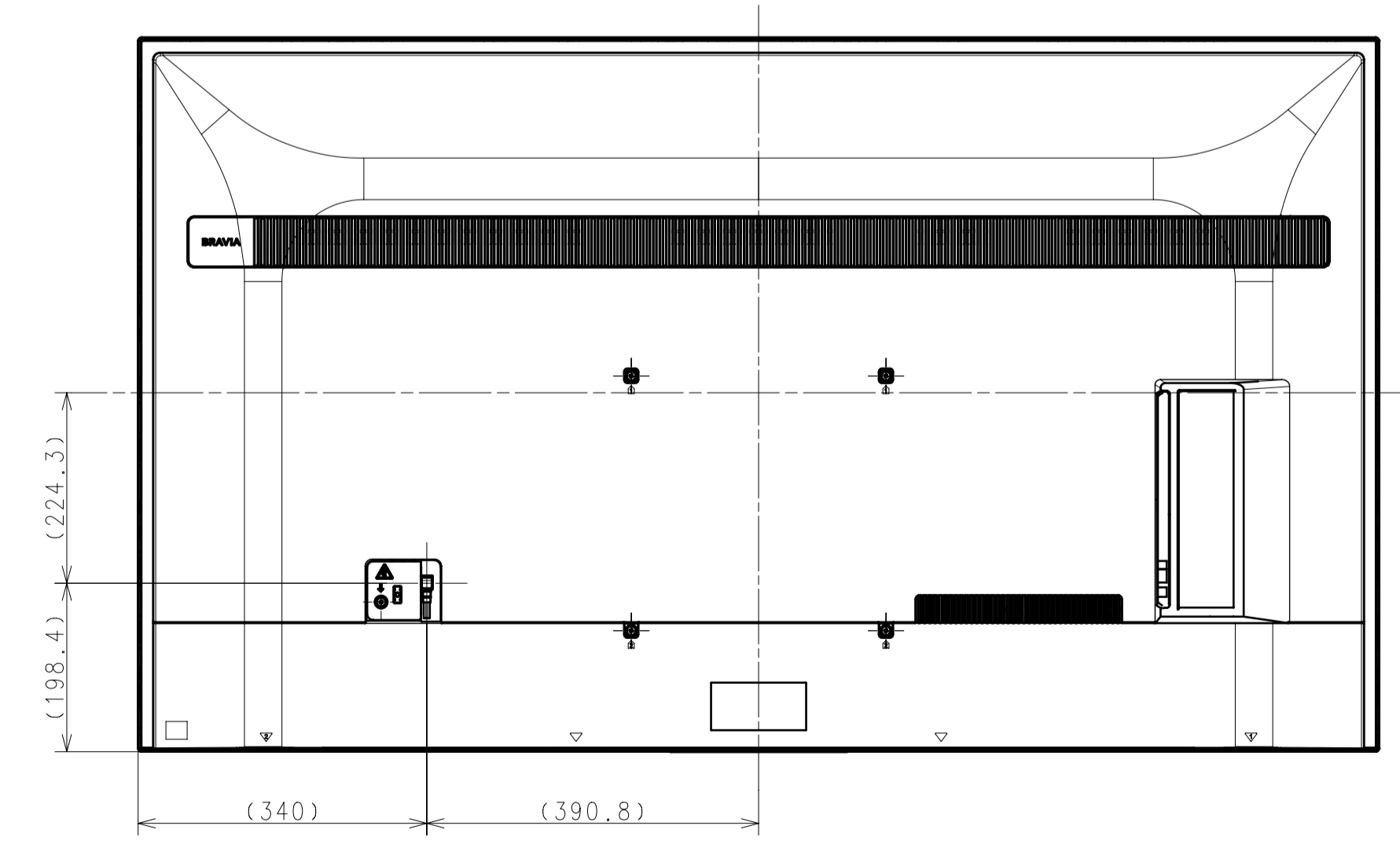
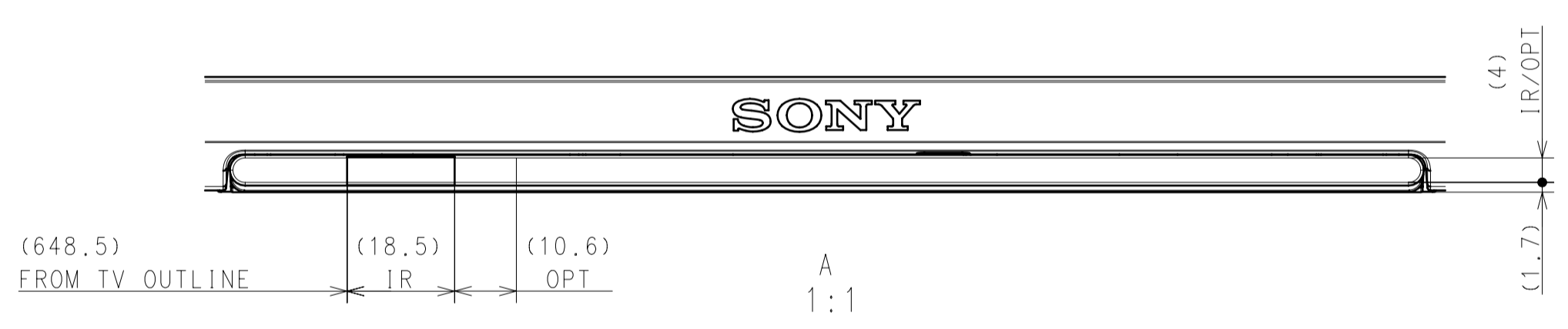
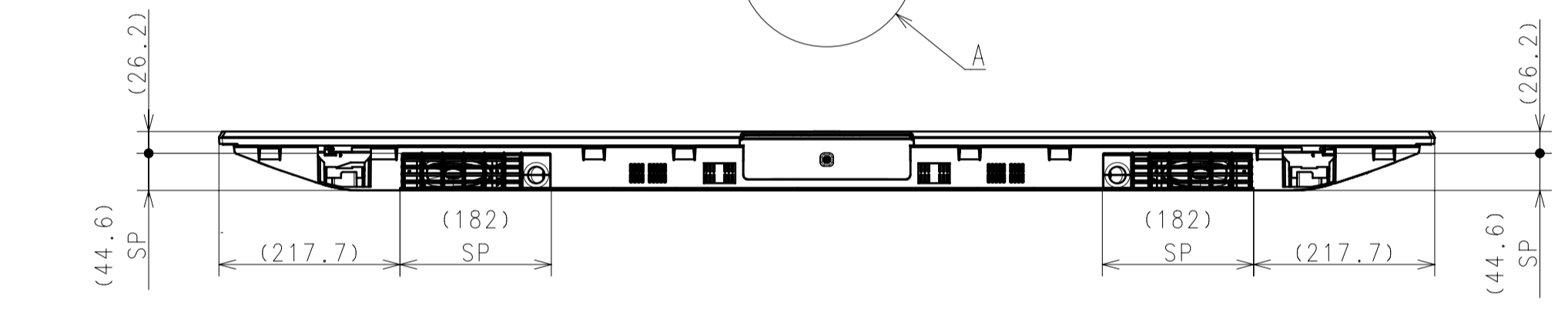
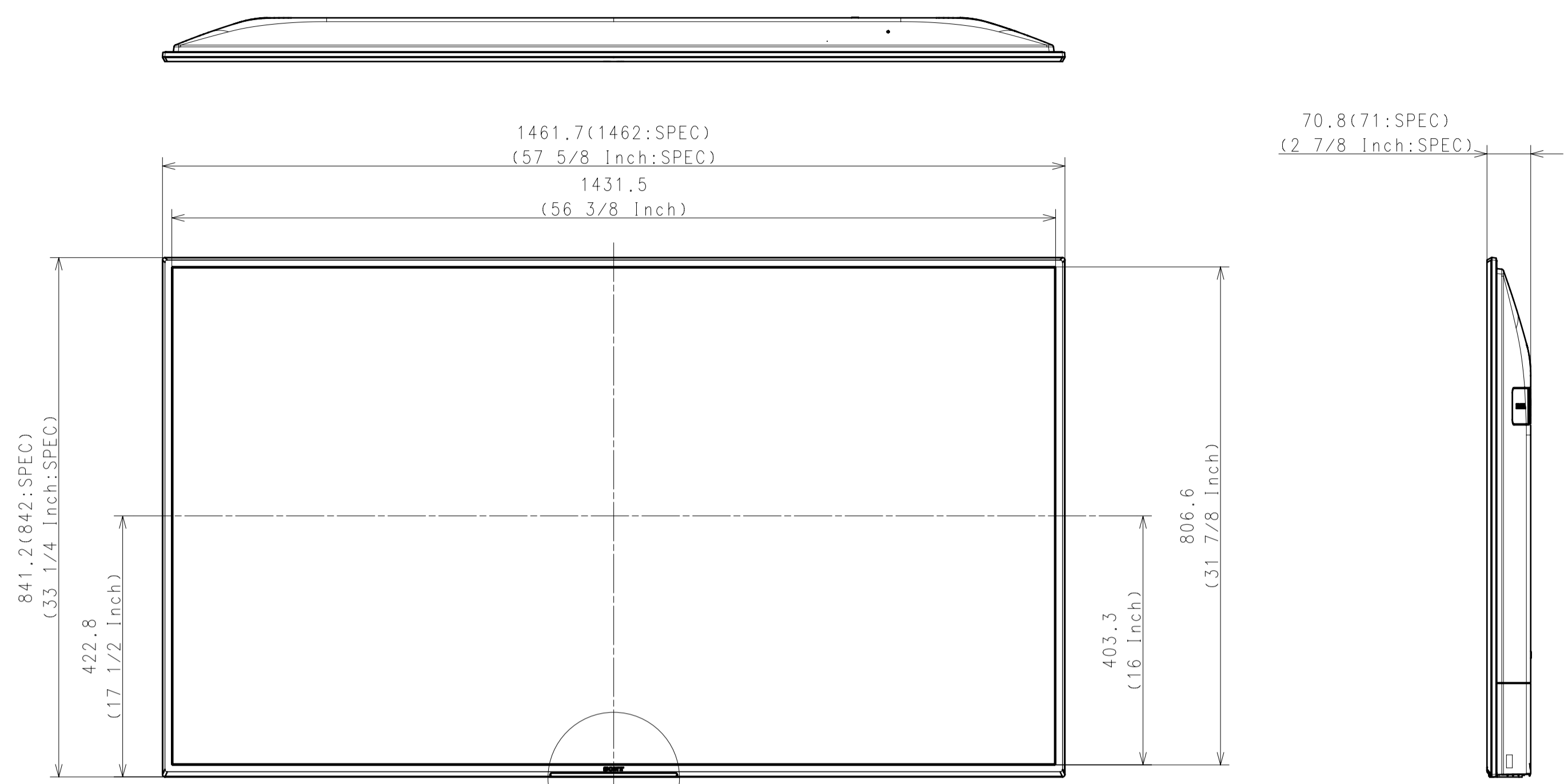
Area	NORTH AMERICA	LATIN AMERICA	GENERAL AREA	
Model Name	KD-65X77L	KD-65X77L	KD-65X77L	
SV No.	SV-41374	SV-41393	SV-41433	
DIMENSION	TV only (W x H x D)	1462 x 842 x 71 mm / 57 5/8 x 33 1/4 x 2 7/8 inch	1462 x 842 x 71 mm	Approx. 1462 x 842 x 71 mm
	TV only with camera (W x H x D)	-	-	-
	TV with Stand (Standard position) (W x H x D)	1462 x 912 x 334 mm / 57 5/8 x 36 x 13 1/4 inch	1462 x 912 x 334 mm	Approx. 1462 x 912 x 334 mm
	TV with Stand (Narrow position) (W x H x D)	-	-	-
	TV with Stand (Soundbar position) (W x H x D)	-	-	-
	TV with Stand (Front position style) (W x H x D)	-	-	-
	TV with Stand (Back position style) (W x H x D)	-	-	-
	TV with Floor Stand (W x H x D)	-	-	-
	Stand Width (Standard position)	1175 mm / 46 3/8 inch	1175 mm	Approx. 1175 mm
	Stand Width (Narrow position)	-	-	-
	Stand Width (Soundbar position)	-	-	-
	Stand Width (Front position style)	-	-	-
	Stand Width (Back position style)	-	-	-
Floor Stand Width	-	-	-	
VESA Hole Pitch	300 x 300 mm / 11 7/8 x 11 7/8 inch	300 x 300 mm	300 x 300 mm	
WEIGHT	TV Only	20.4 kg / 45 lb	20.4 kg	Approx. 20.4 kg
	TV with Stand (Standard position)	20.7 kg / 45.6 lb	20.7 kg	Approx. 20.7 kg
	TV with Stand (Narrow position)	-	-	-
	TV with Stand (Soundbar position)	-	-	-
	TV with Stand (Front/Back position style)	-	-	-
	TV with Floor Stand	-	-	-
	Floor Stand weight (Supply)	-	-	-
Remarks	W-M't Br. Weight (Supply)	-	-	-



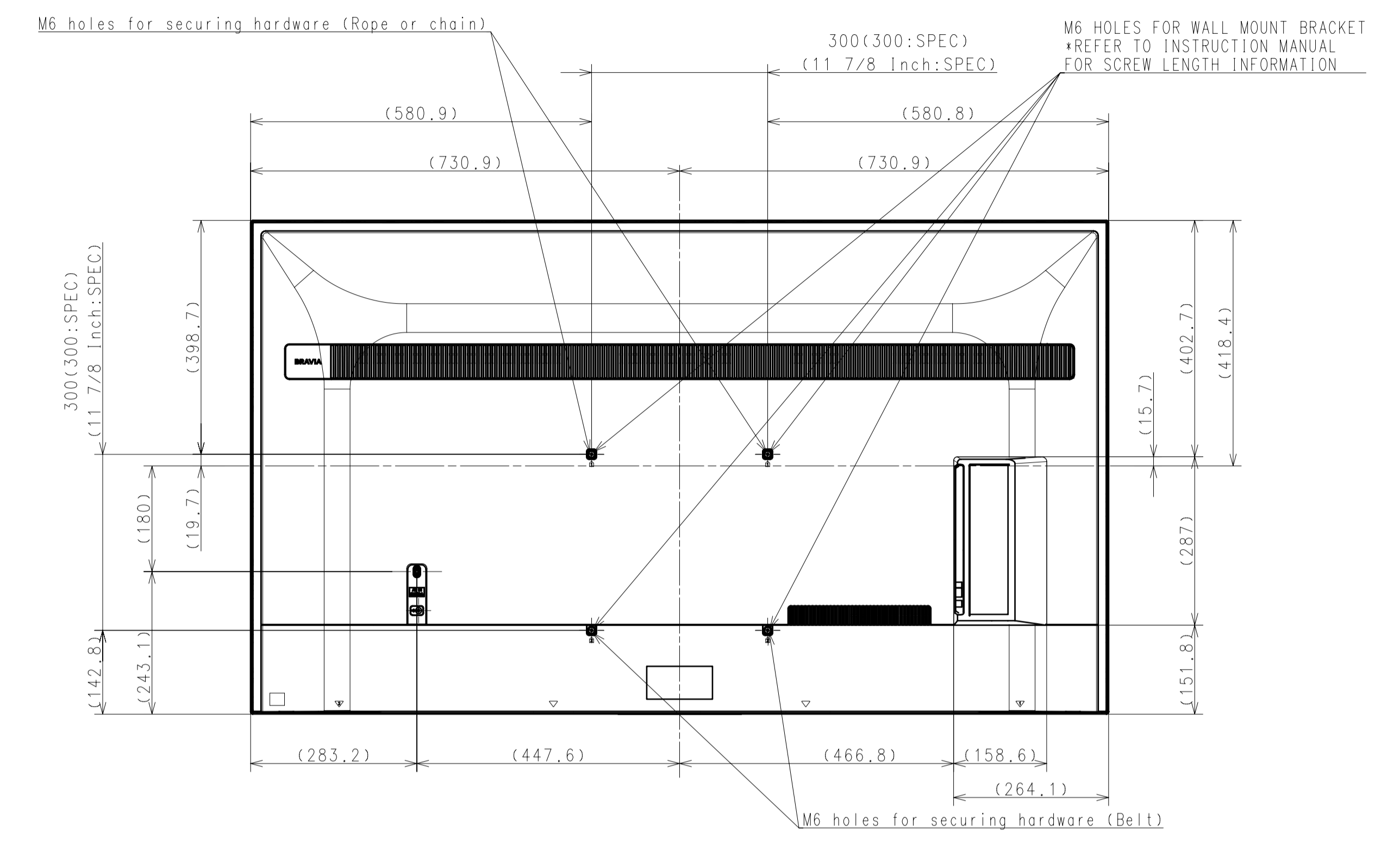
Purchase recycled resins and wire rods only from the business partners that Sony approves as Green Partners.  
 再生樹脂・銅線棒はグリーンパートナーから購入してください。

GENERAL TOLERANCE DATE OF ISSUE: 2022.12.20 DOCUMENT TYPE: ASSEMBLY DRAWING TOLERANCING: JIS B 0013 (D015)		MATERIAL COLOR: FINISH COLOR:	
RESPONSIBLE DEPARTMENT: PANEL & MECHANICAL DESIGN ORIGINAL MODEL: 65(X77L) EXTERIOR VIEW TENTATIVE MODEL: 65(X77L) EXTERIOR VIEW		SHEET/PAGES: 1/4	

WITHOUT STAND



For. LATIN AMERICA



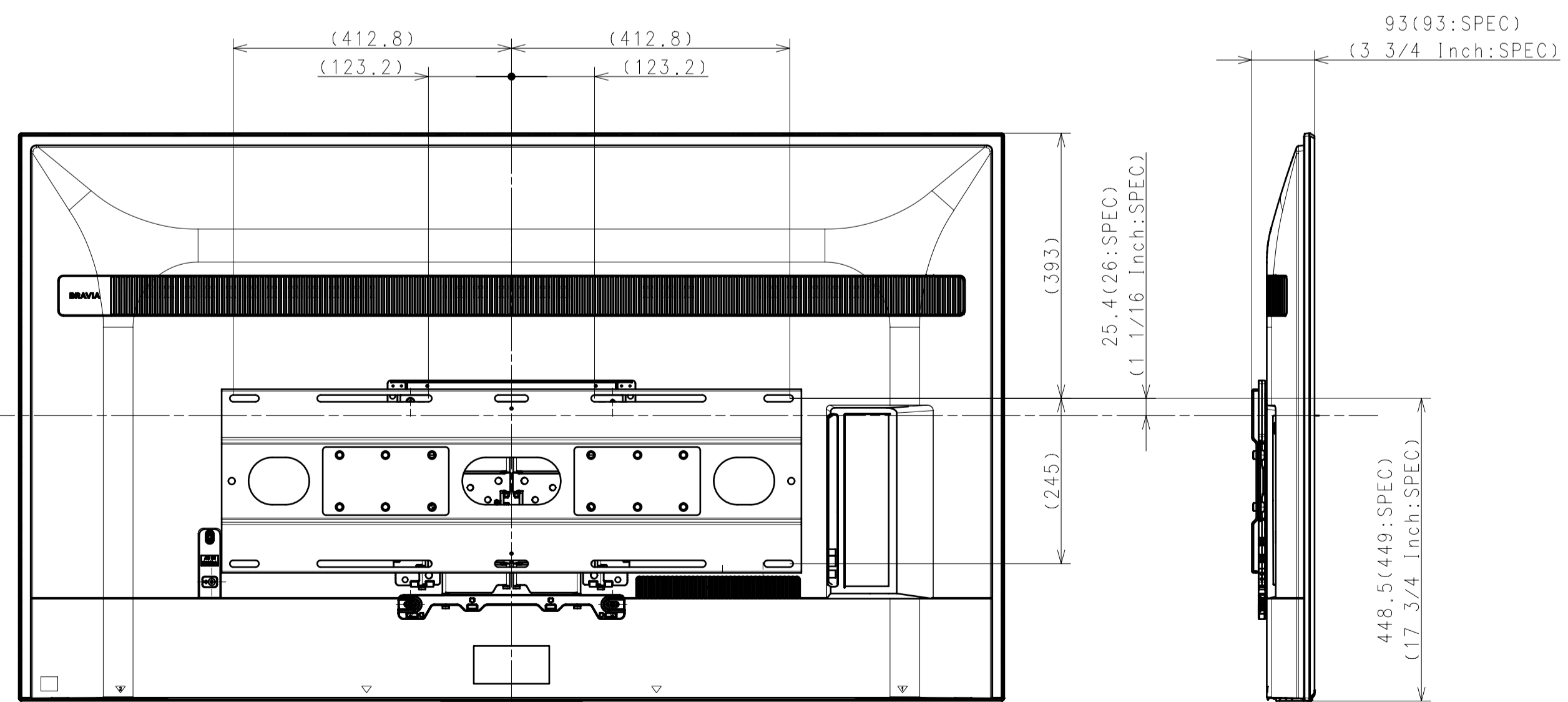
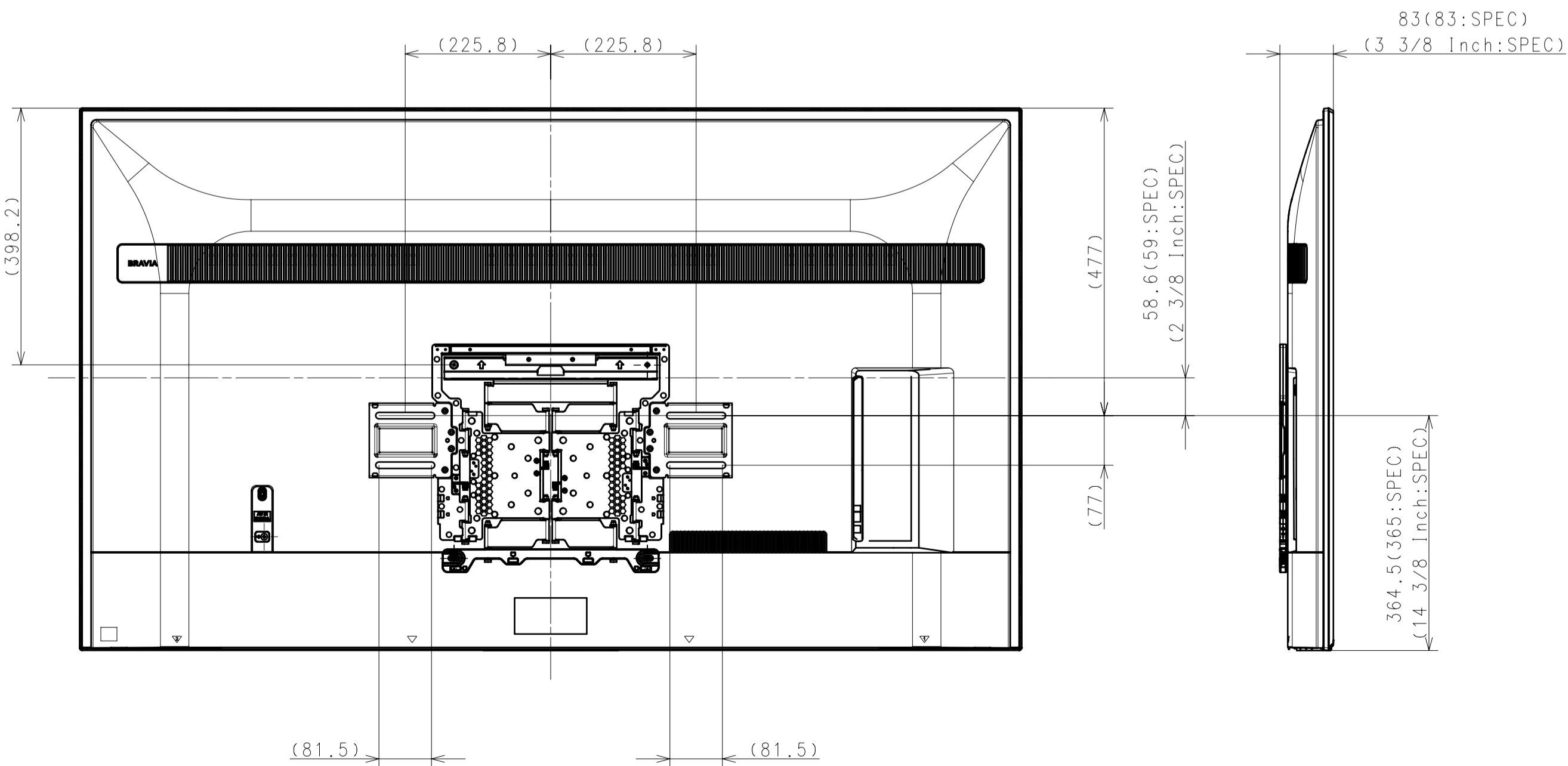
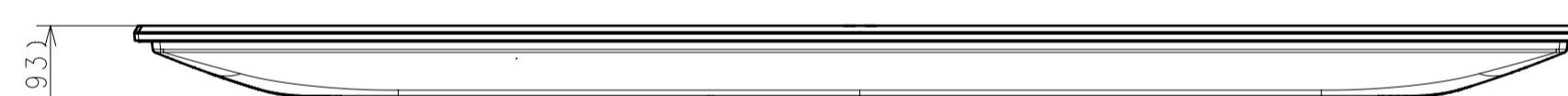
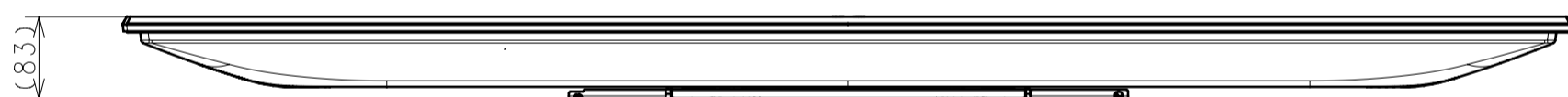
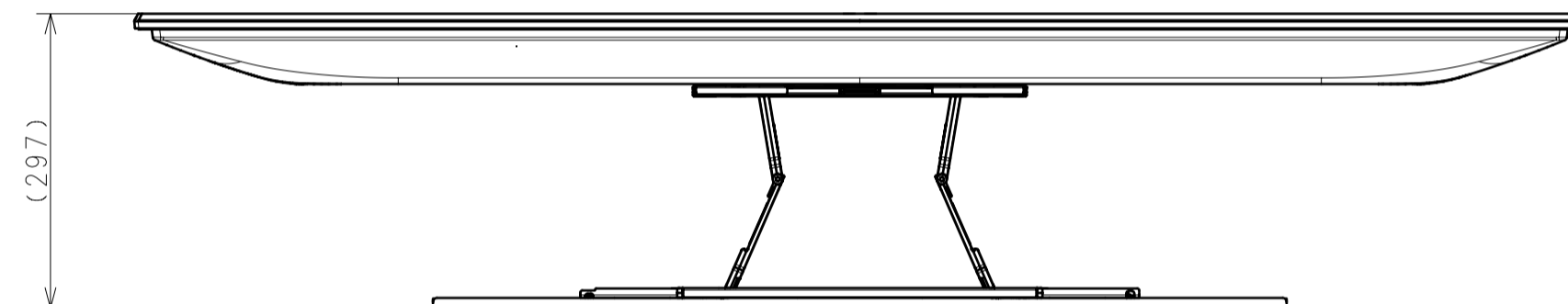
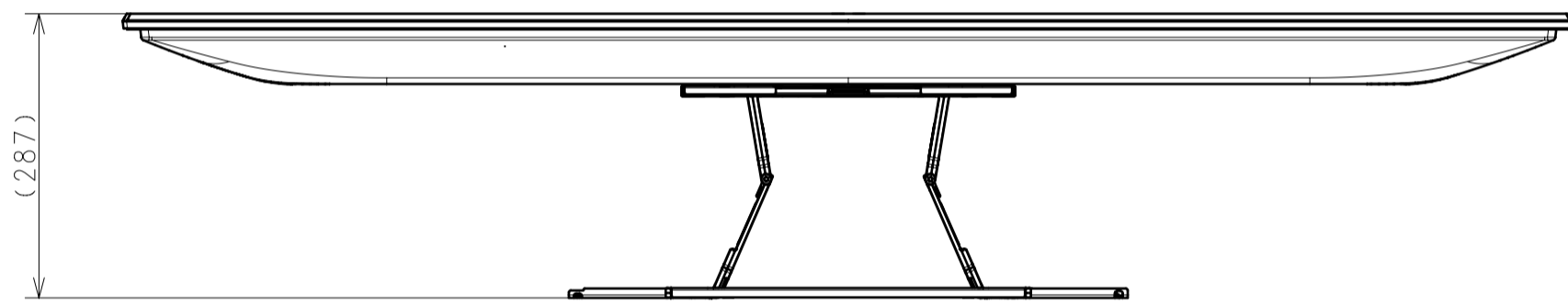
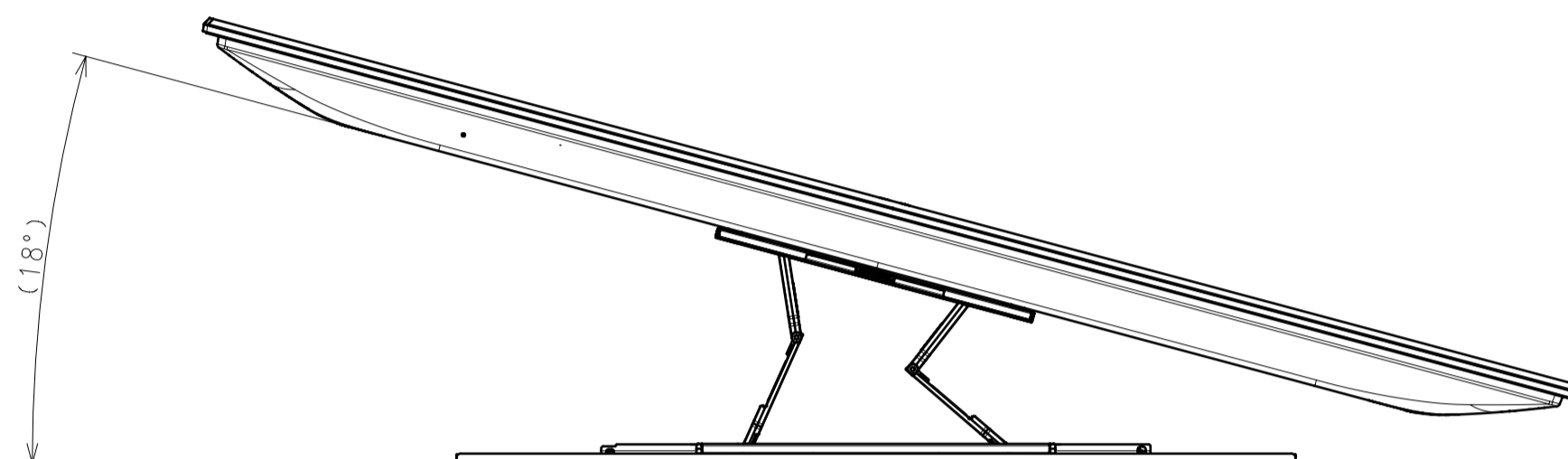
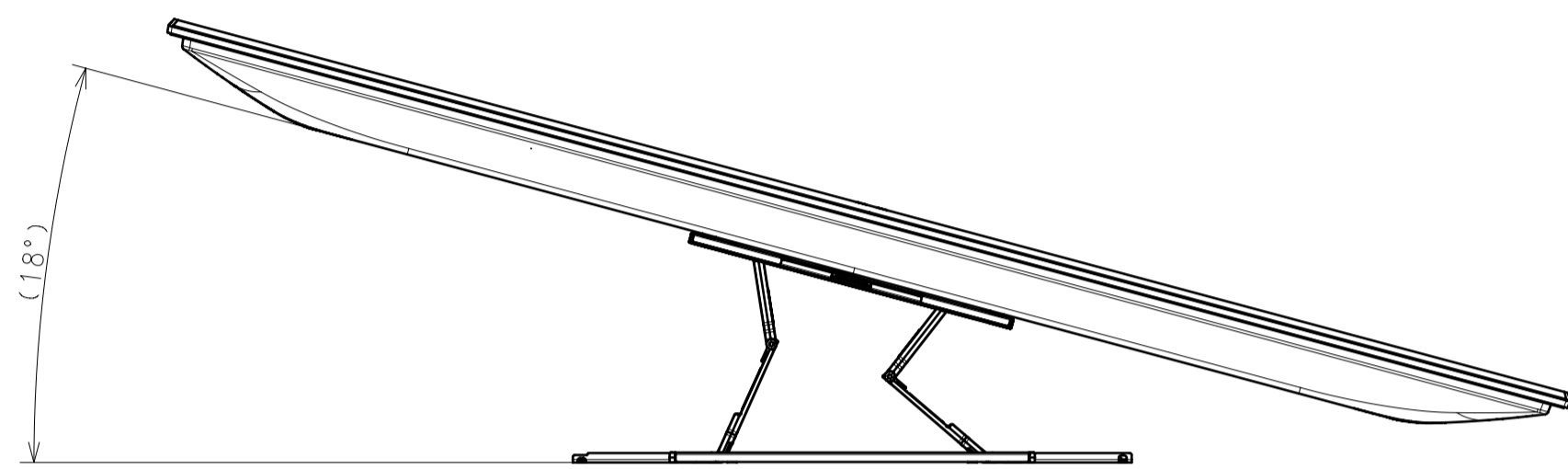
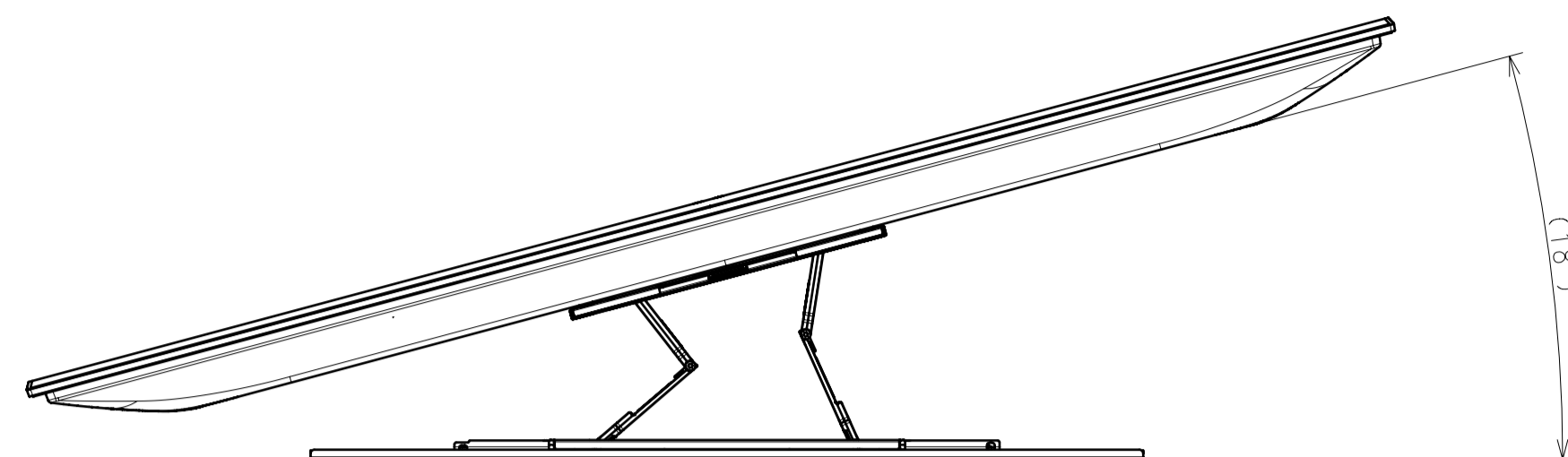
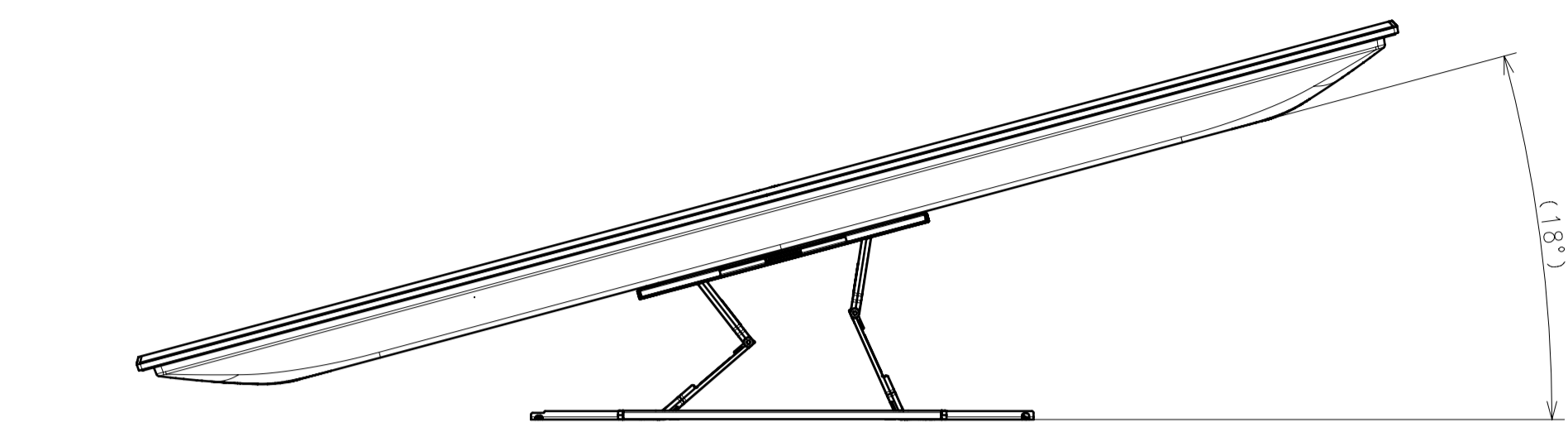
For. NORTH AMERICA, GENERAL AREA

DESCRIPTION1 65(X77L) EXTERIOR VIEW	LEGAL OWNER Sony Corporation	SCALE 1:7
DESCRIPTION2 65(X77L) EXTERIOR VIEW	TENTATIVE PART NO.	SHEET/PAGES 2 / 4



SU-WL 850

SU-WL 855 WITH LATERAL SHAFT BRACKET



DESCRIPTION 1	65(X77L) EXTERIOR VIEW	LEGAL OWNER	Sony Corporation	SCALE	1:7
DESCRIPTION 2	65(X77L) EXTERIOR VIEW	PART NO.		SHEET/PAGES	4 / 4