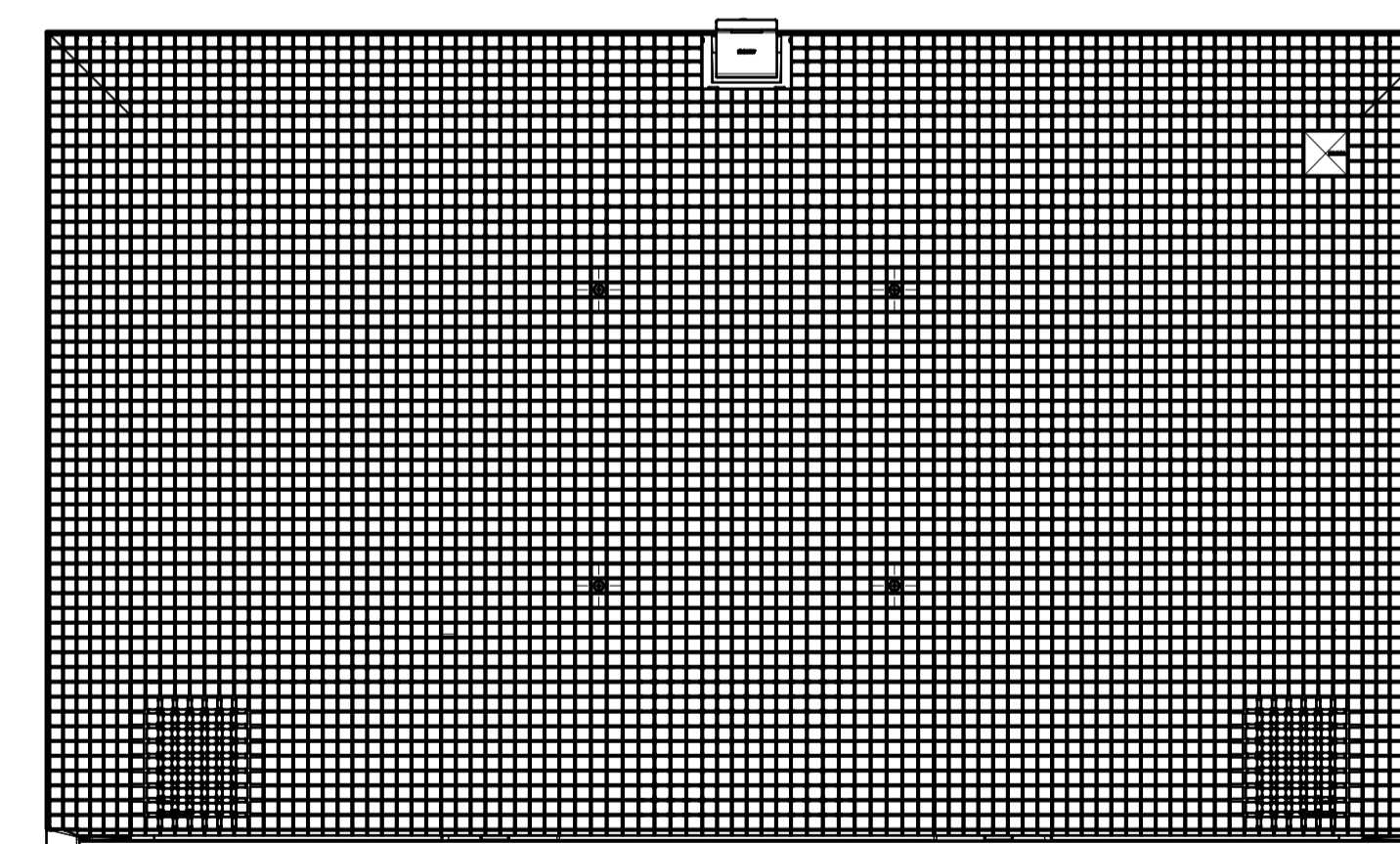
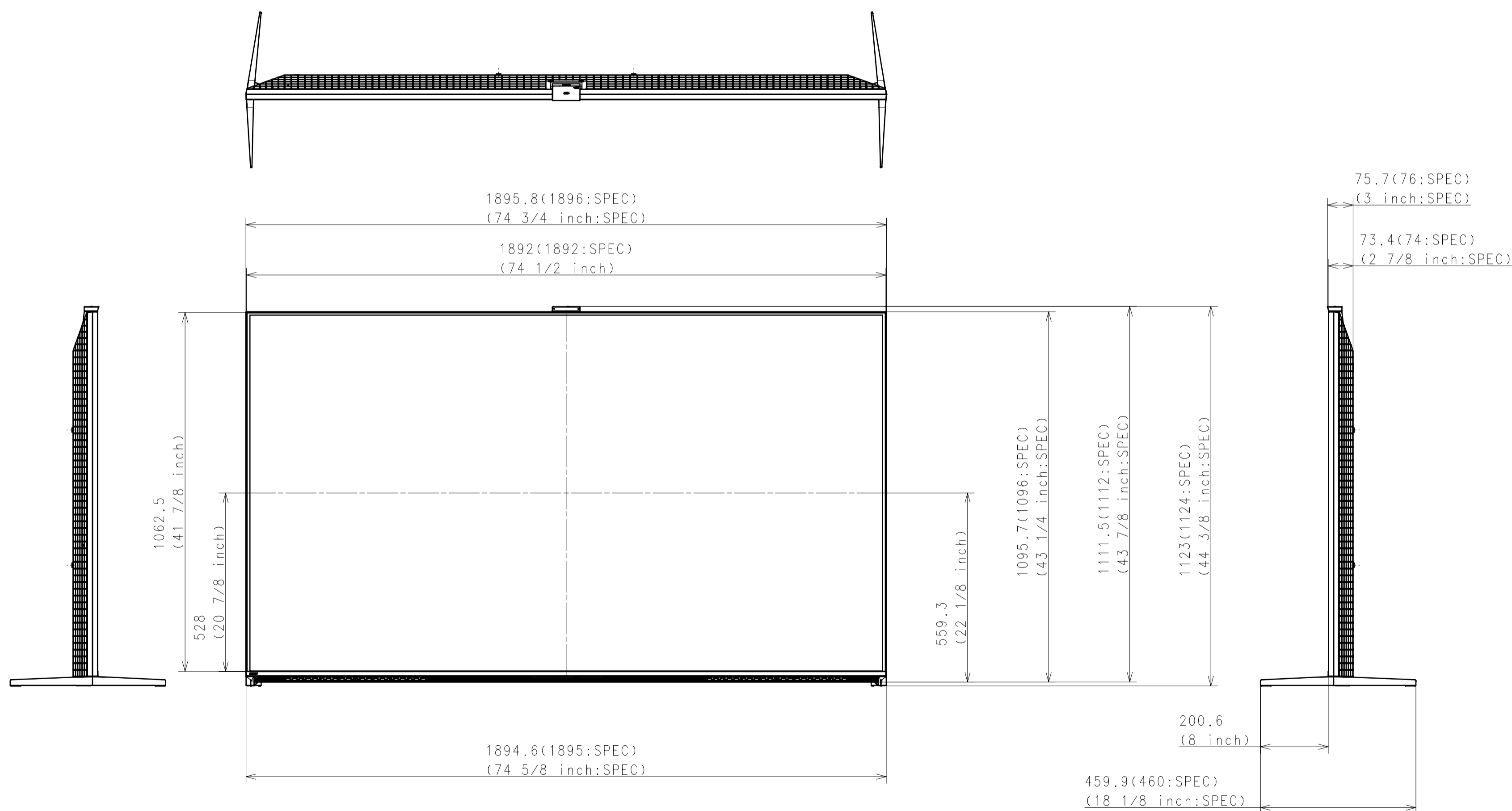


Area		NORTH AMERICA	EUROPE	GENERAL AREA	CHINA
Model Name		XR-85Z9K	XR-85Z9K	XR-85Z9K	XR-85Z9K
SV No.		SV-40233	SV-40363	SV-40189	SV-40315
DIMENSION	TV only (W x H x D)	1896 x 1096 x 74 mm / 74 3/4 x 43 1/4 x 3 inch	Approx. 189.6 x 109.6 x 7.4 cm	Approx. 1896 x 1096 x 74 mm	Approx. 1896 x 1096 x 74 mm
	TV only with camera (WxHxD)	1896 x 1112 x 76 mm / 74 3/4 x 43 7/8 x 3 inch	Approx. 189.6 x 111.2 x 7.6 cm	Approx. 1896 x 1112 x 76 mm	Approx. 1896 x 1112 x 76 mm
	TV with Stand (Standard position) (W x H x D)	1896 x 1123 x 460 mm / 74 3/4 x 44 1/4 x 18 1/8 inch	Approx. 189.6 x 112.3 x 46.0 cm	Approx. 1896 x 1123 x 460 mm	Approx. 1896 x 1123 x 460 mm
	TV with Stand (Narrow position) (W x H x D)	1896 x 1142 x 460 mm / 74 3/4 x 45 x 18 1/8 inch	Approx. 189.6 x 114.2 x 46.0 cm	Approx. 1896 x 1142 x 460 mm	Approx. 1896 x 1142 x 460 mm
	TV with Stand (Soundbar position) (W x H x D)	1896 x 1197 x 460 mm / 74 3/4 x 47 1/4 x 18 1/8 inch	Approx. 189.6 x 119.7 x 46.0 cm	Approx. 1896 x 1197 x 460 mm	Approx. 1896 x 1197 x 460 mm
	TV with Stand (Front position style) (W x H x D)	-	-	-	-
	TV with Stand (Back position style) (W x H x D)	-	-	-	-
	TV with Floor Stand (W x H x D)	-	-	-	-
	Stand Width (Standard position)	1895 mm / 74 5/8 inch	Approx. 189.5 cm	Approx. 1895 mm	Approx. 1895 mm
	Stand Width (Narrow position)	766 mm / 30 1/4 inch	Approx. 76.6 cm	Approx. 766 mm	Approx. 766 mm
	Stand Width (Soundbar position)	1895 mm / 74 5/8 inch	Approx. 189.5 cm	Approx. 1895 mm	Approx. 1895 mm
	Stand Width (Front position style)	-	-	-	-
	Stand Width (Back position style)	-	-	-	-
	Floor Stand Width	-	-	-	-
WEIGHT	VESA Hole Pitch	400 x 400 mm / 15 3/4 x 15 3/4 inch	40.0 x 40.0 cm	400 x 400 mm	400 x 400 mm
	TV Only	58.4 kg / 128.7 lb	Approx. 58.4 kg	Approx. 58.4 kg	Approx. 58.4 kg
	TV with Stand (Standard position)	60.1 kg / 132.4 lb	Approx. 60.1 kg	Approx. 60.1 kg	Approx. 60.1 kg
	TV with Stand (Narrow position)	60.1 kg / 132.4 lb	Approx. 60.1 kg	Approx. 60.1 kg	Approx. 60.1 kg
	TV with Stand (Soundbar position)	60.1 kg / 132.4 lb	Approx. 60.1 kg	Approx. 60.1 kg	Approx. 60.1 kg
	TV with Stand (Front/Back position style)	-	-	-	-
	TV with Floor Stand	-	-	-	-
	Floor Stand weight (Supply)	-	-	-	-
Remarks					

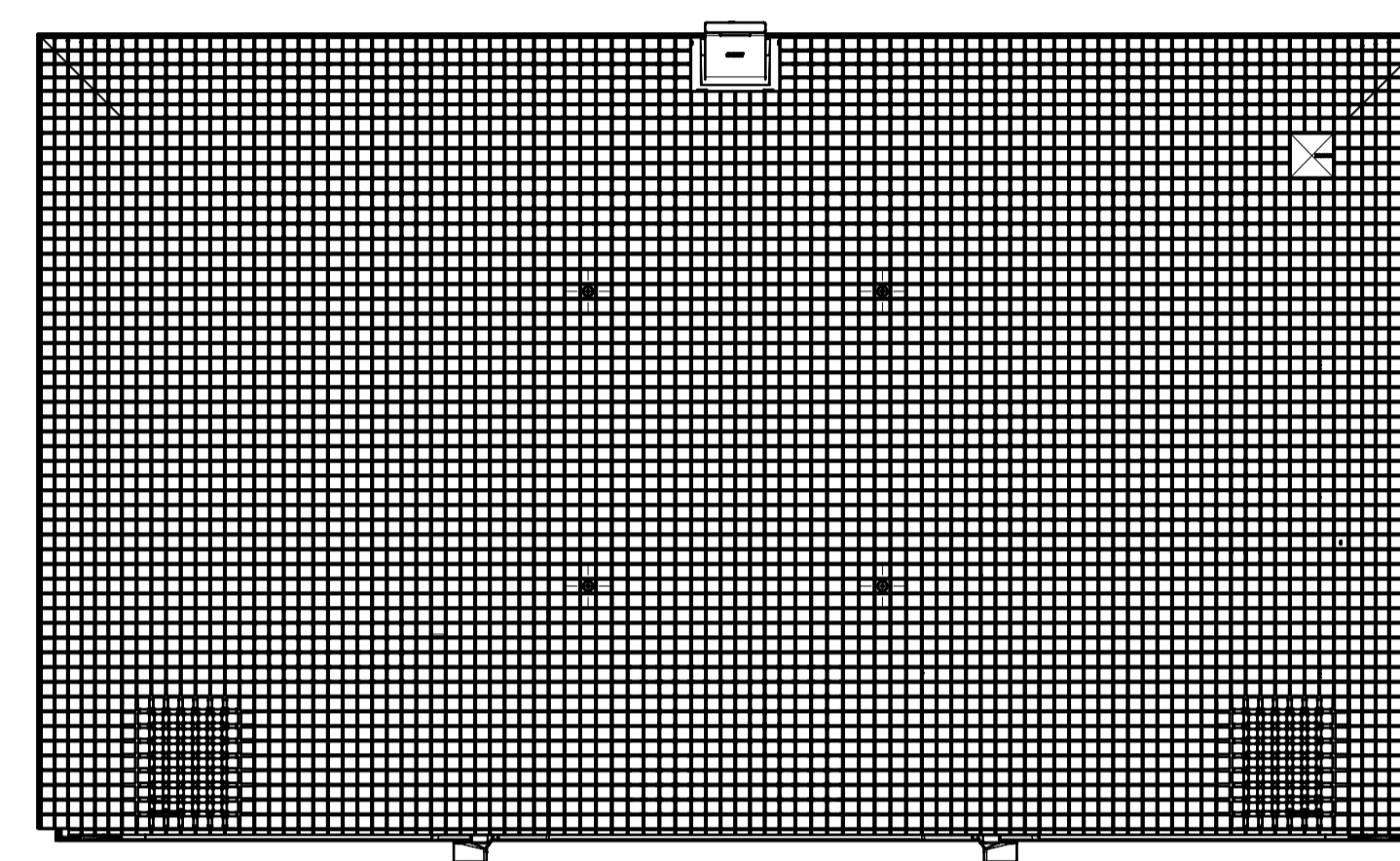
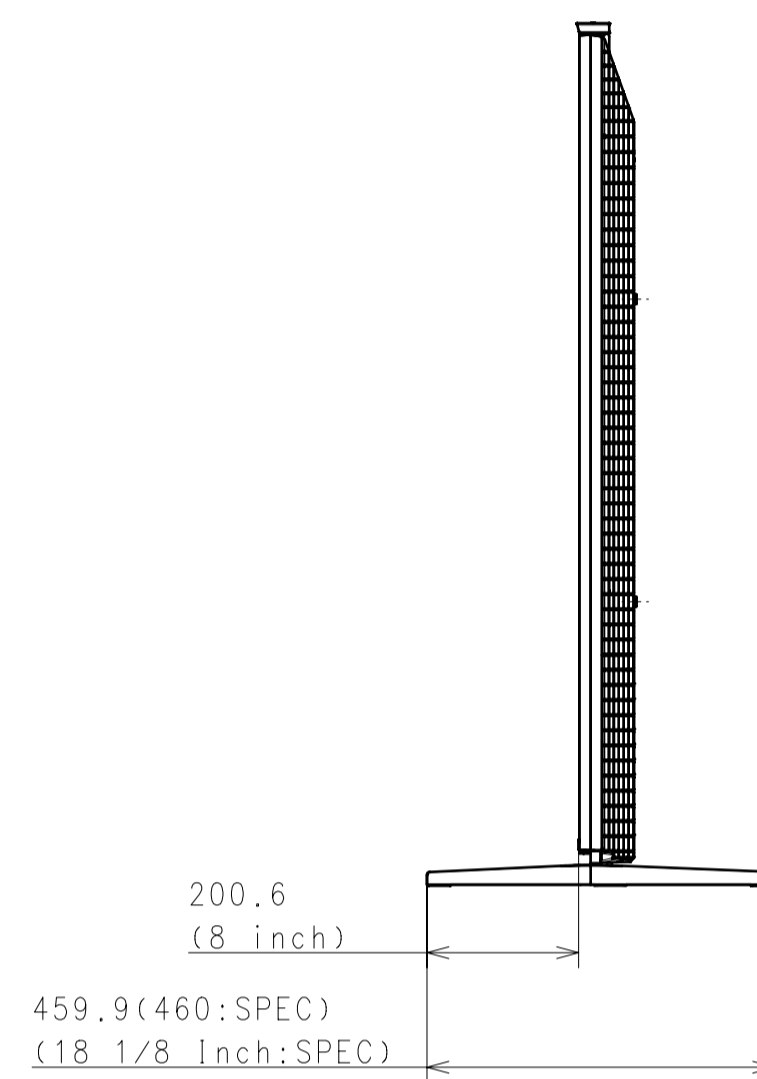
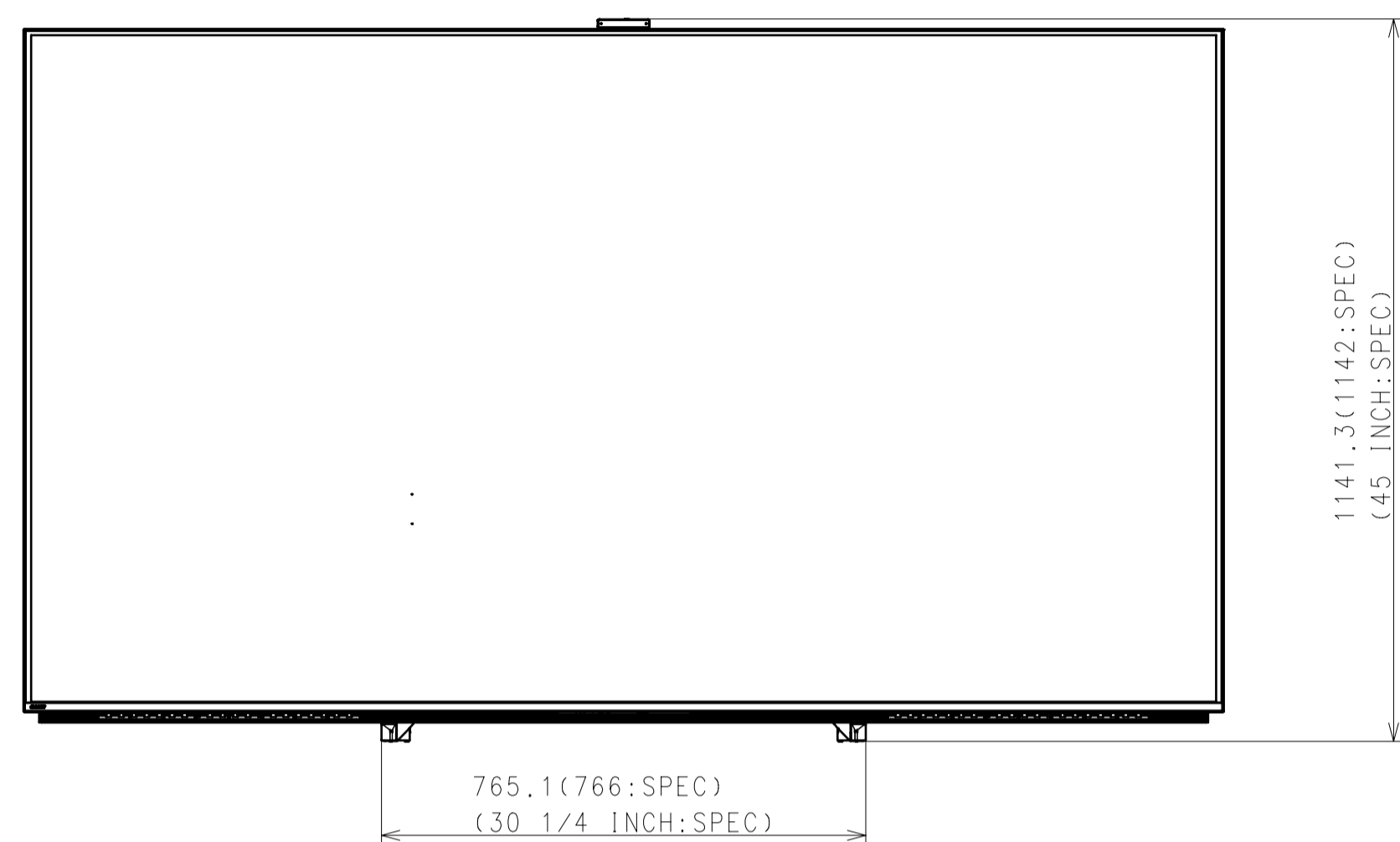
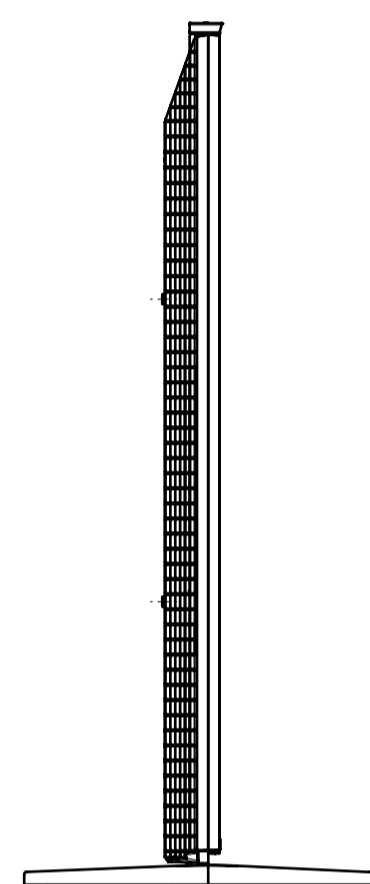
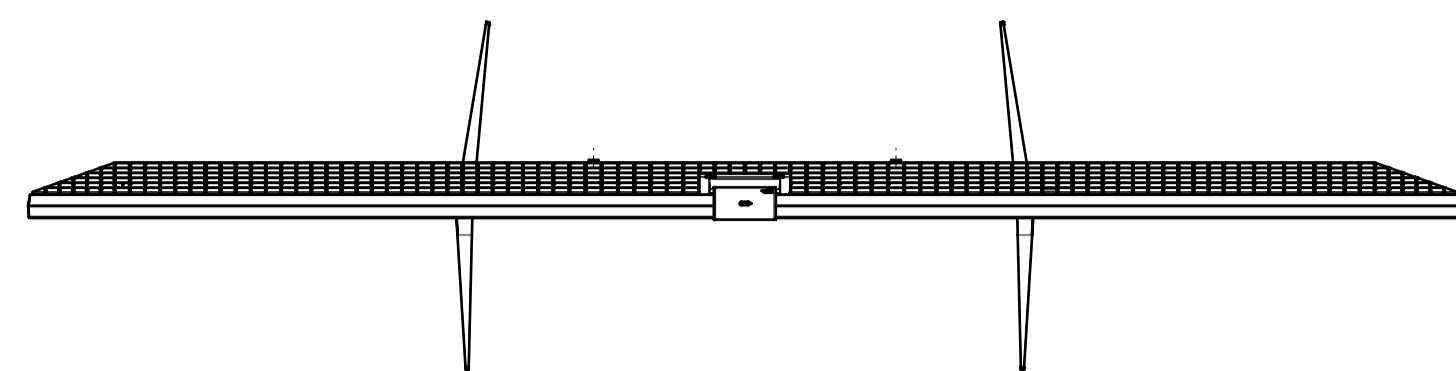
# WITH STAND STANDARD POSITION



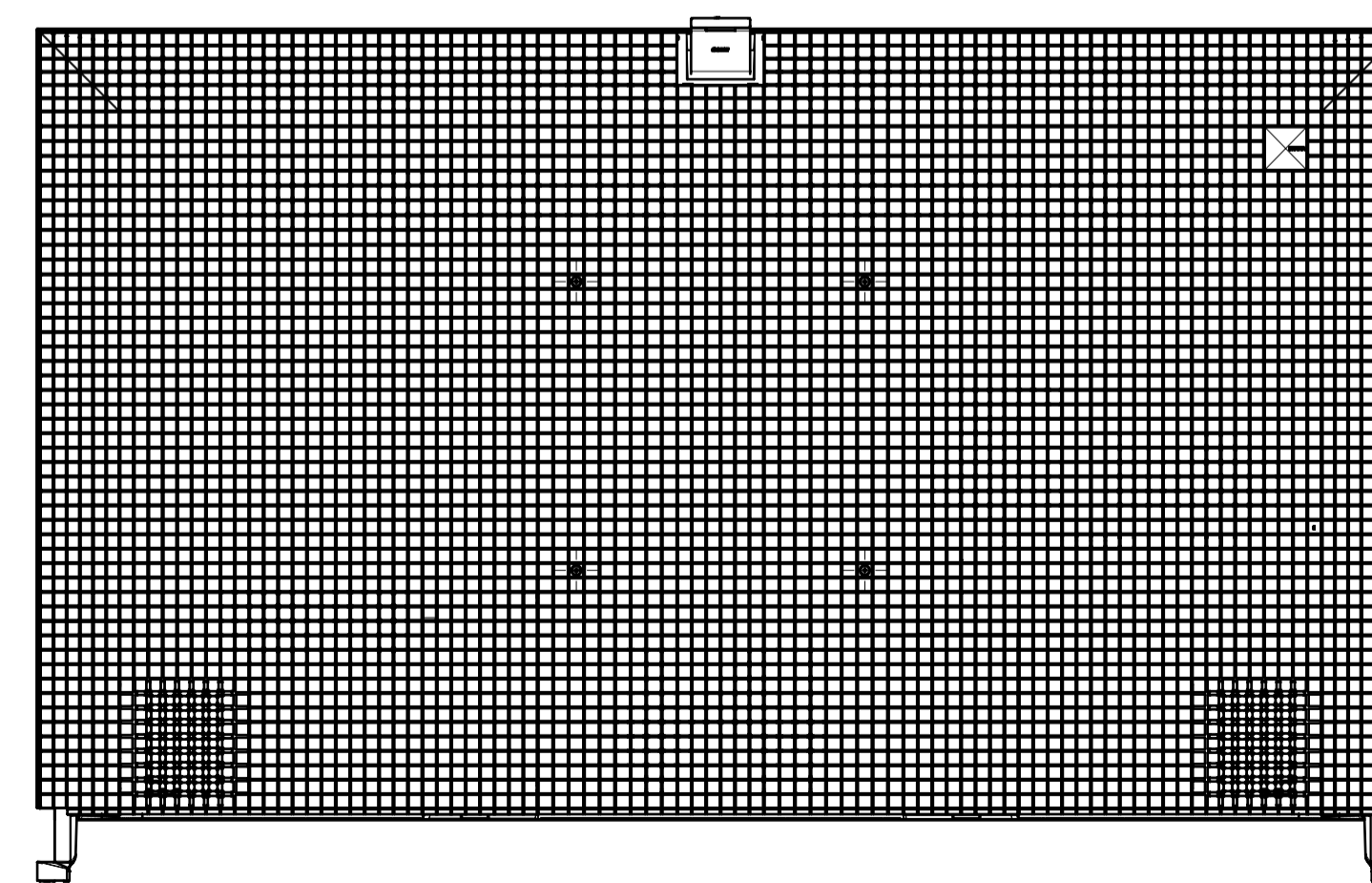
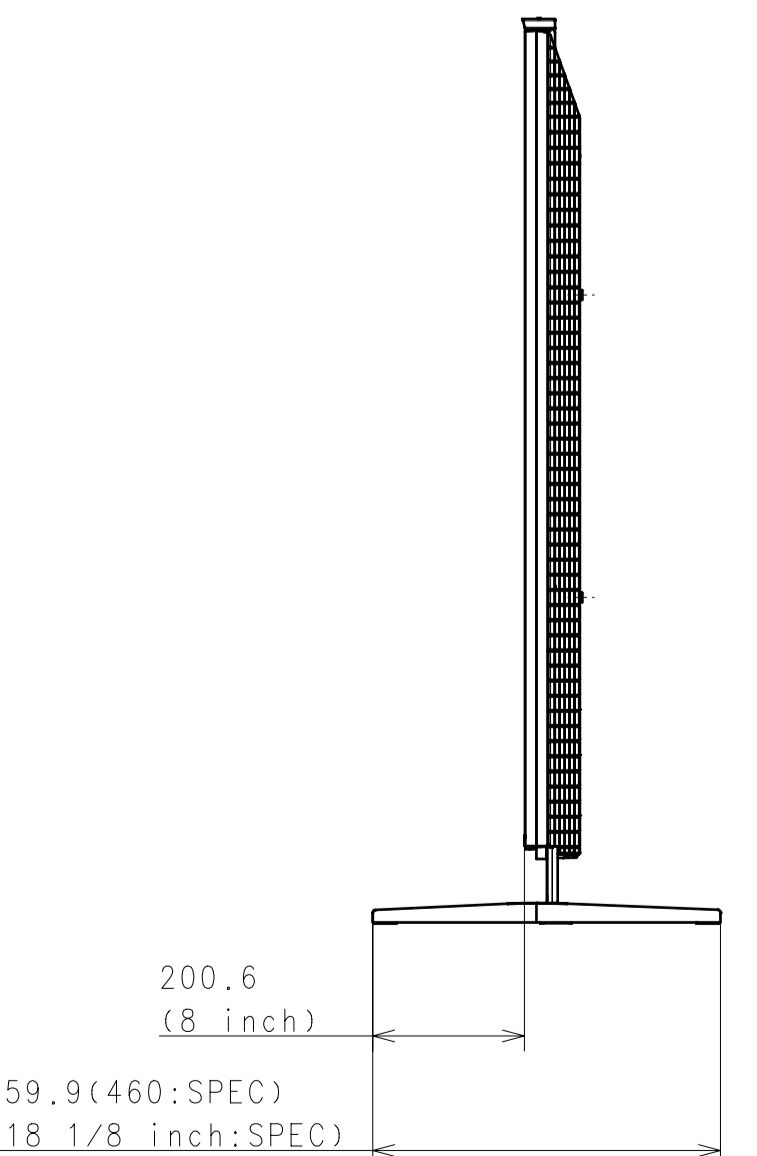
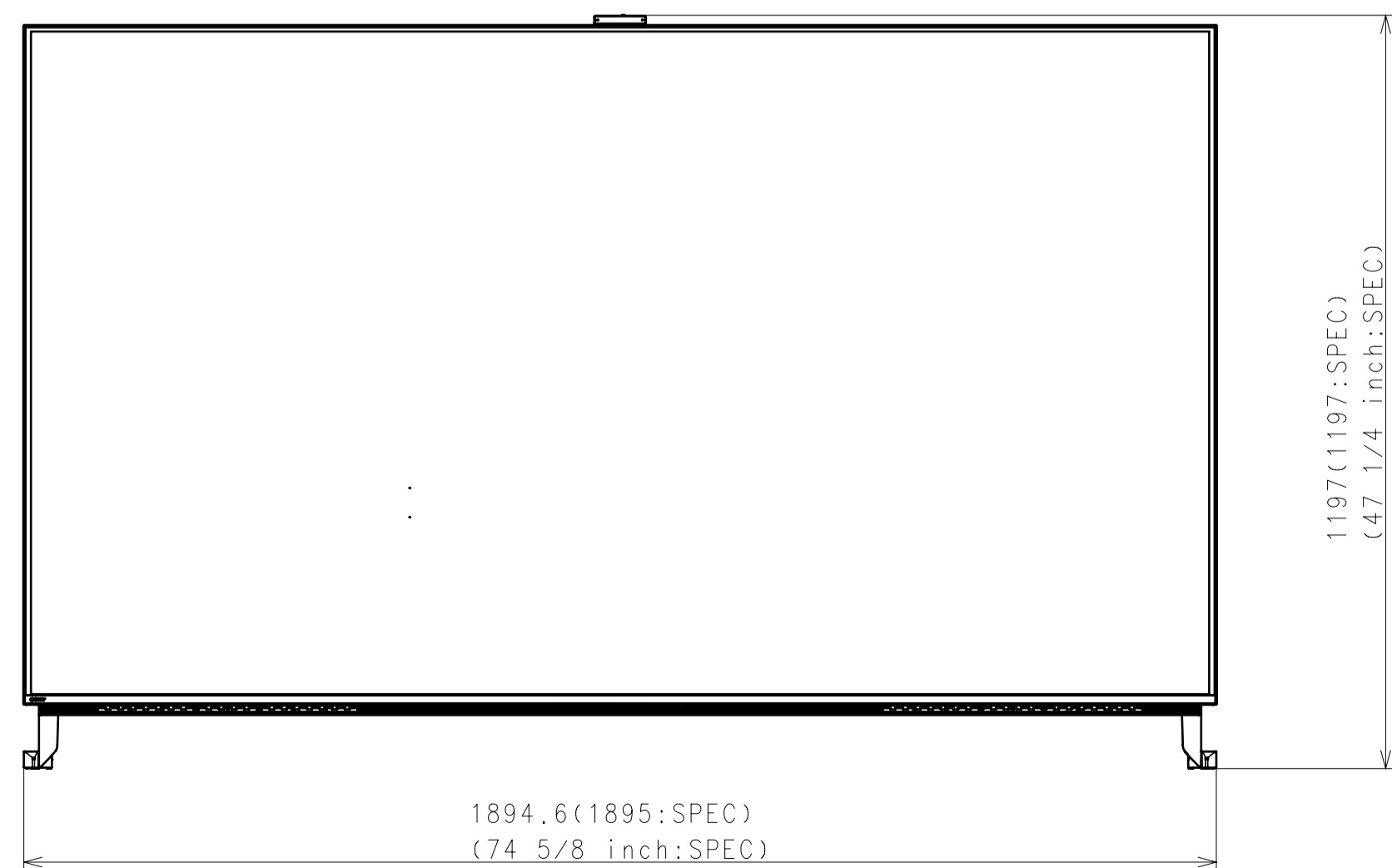
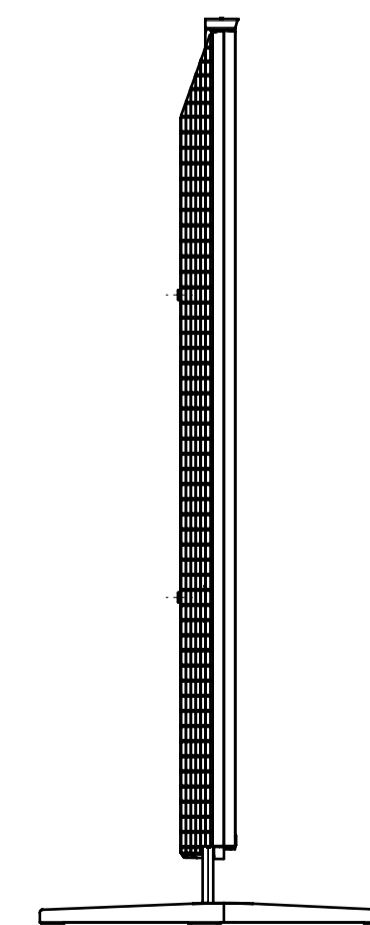
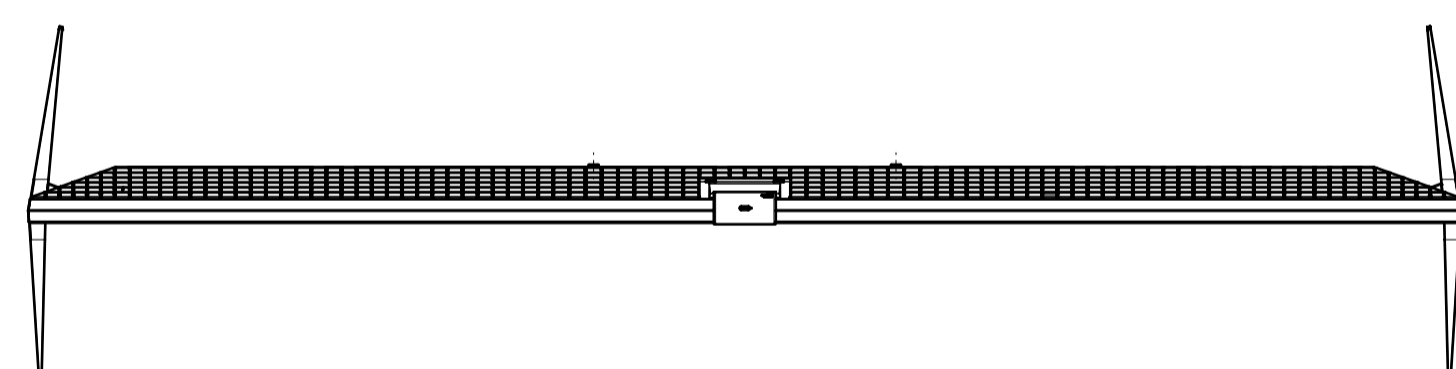
Purchase recycled resins and wire rods only from the business partners that Sony approves as Green Partners.  
再生樹脂・銅線はグリーンパートナー認定受入先から調達すること。

<input checked="" type="checkbox"/> △x <input checked="" type="checkbox"/> △y <input checked="" type="checkbox"/> △z		HISTORY COUNT SUFFIX PART NO. REV.		RELEASE NO. DATE		REVISION		SIGN.		GENERAL TOLERANCE DATE OF ISSUE	
RESPONSIBLE DEPARTMENT Sony Corporation		ORIGINAL MODEL 85 (Z9K) EXTERIOR VIEW		DESCRIPTION 85 (Z9K) EXTERIOR VIEW		MATERIAL COLOR FINISH COLOR		DOCUMENT TYPE PART DRAWING (JIS 9 000(ISO 001))		SHEET/PAGES 1 / 3	

WITH STAND  
NARROW POSITION

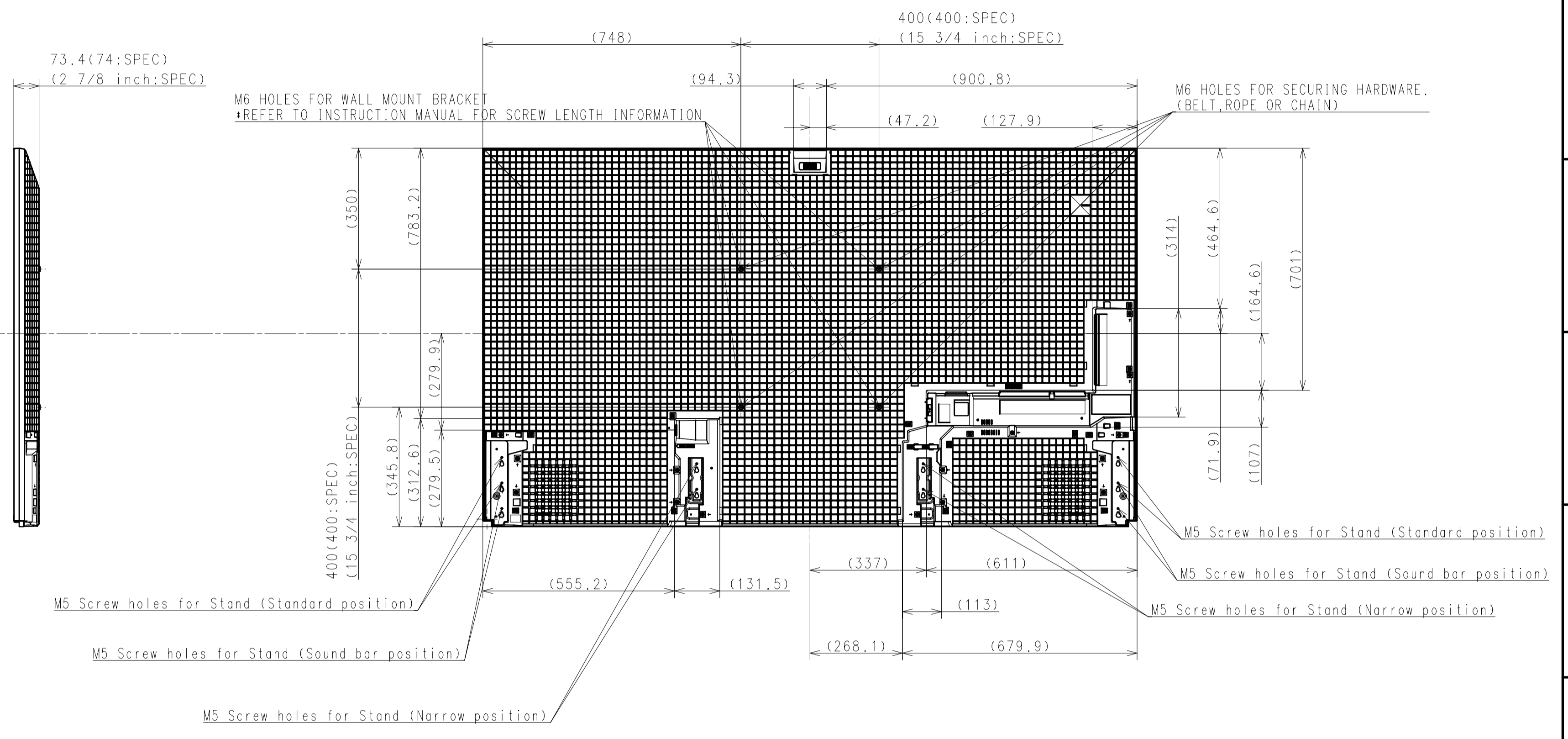
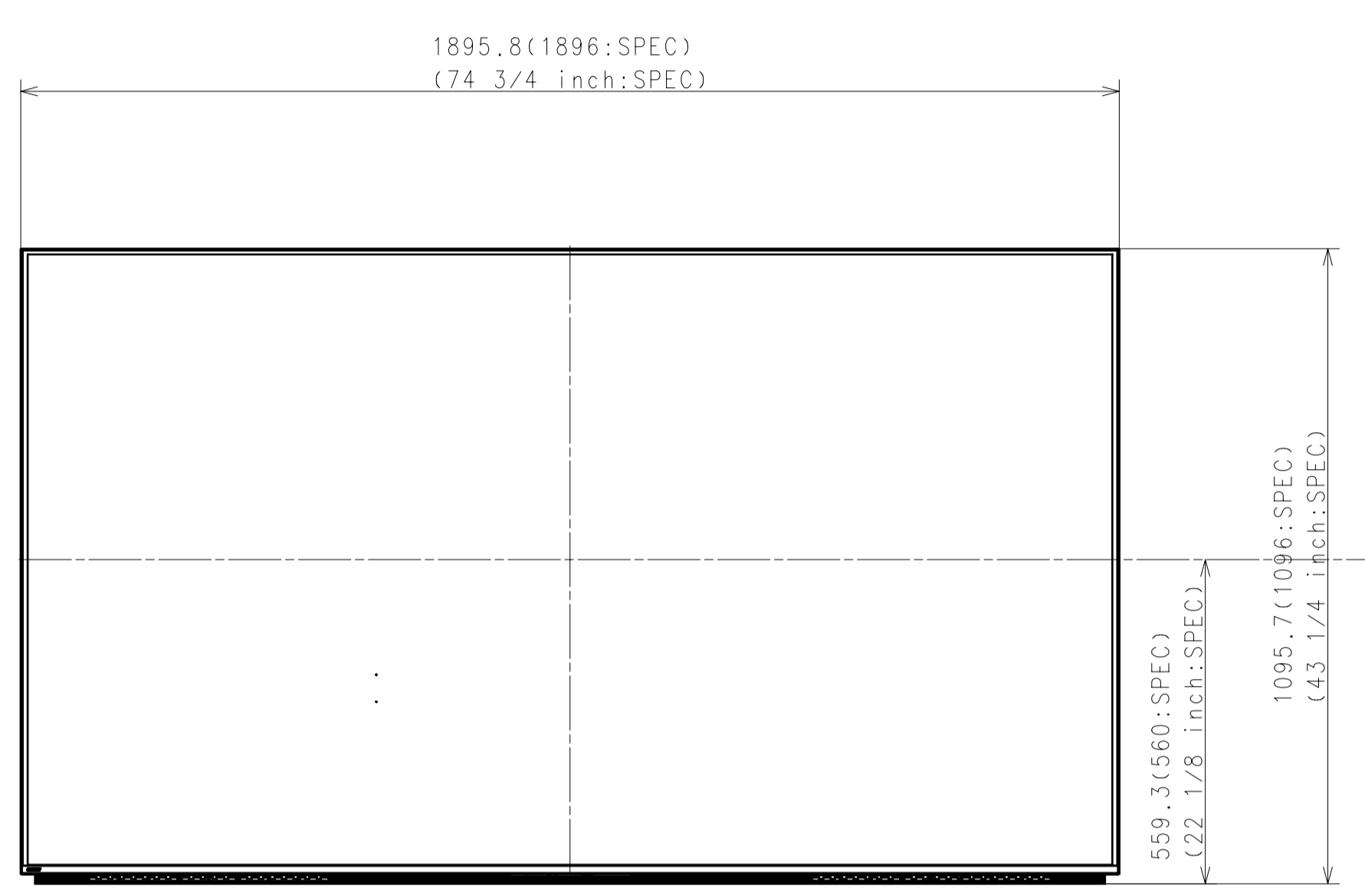


WITH STAND  
SOUND BAR POSITION



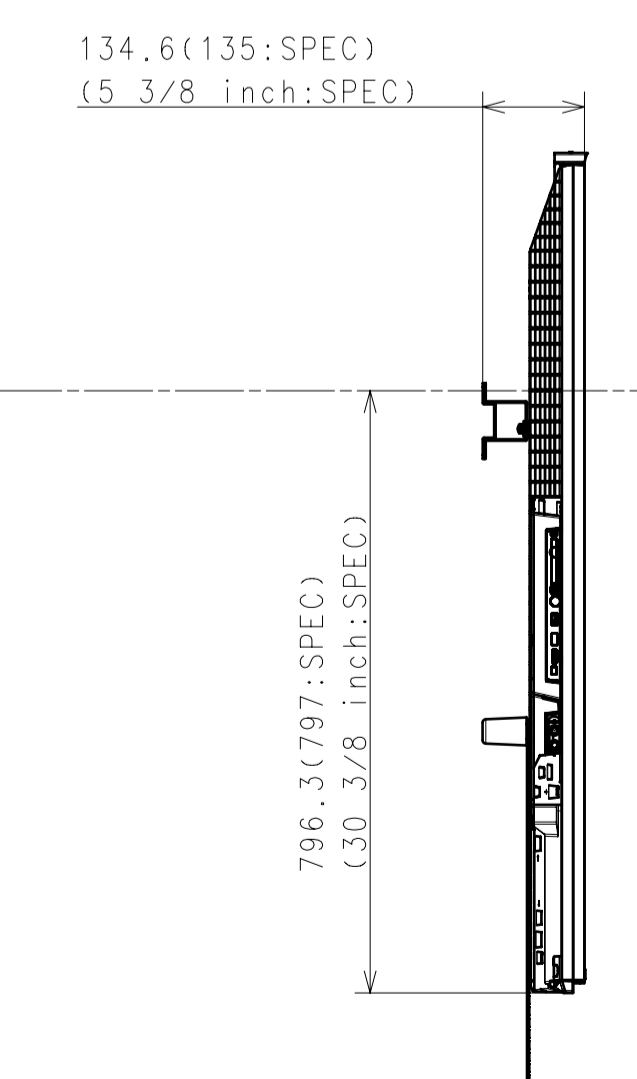
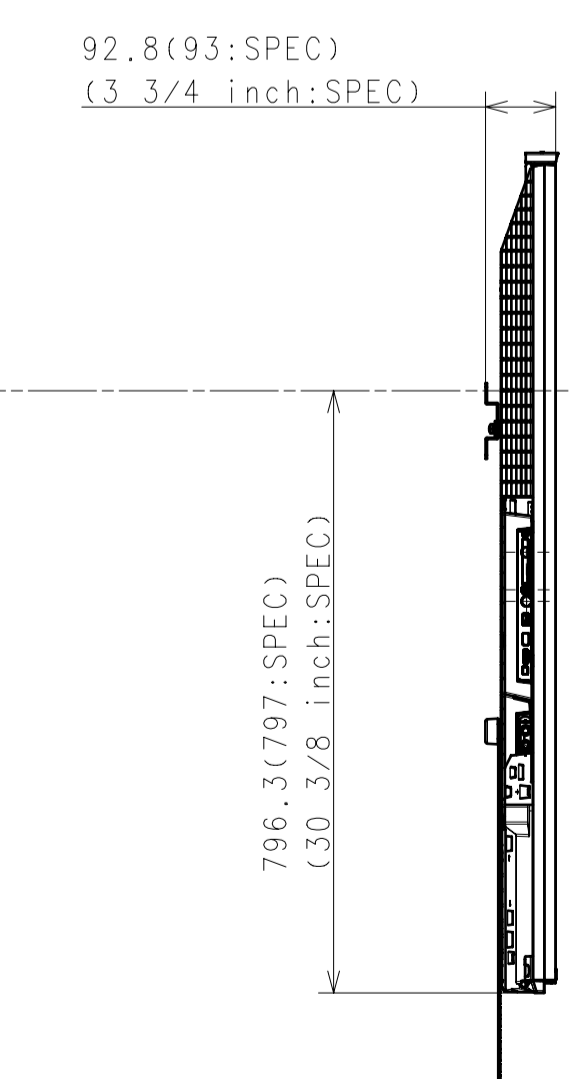
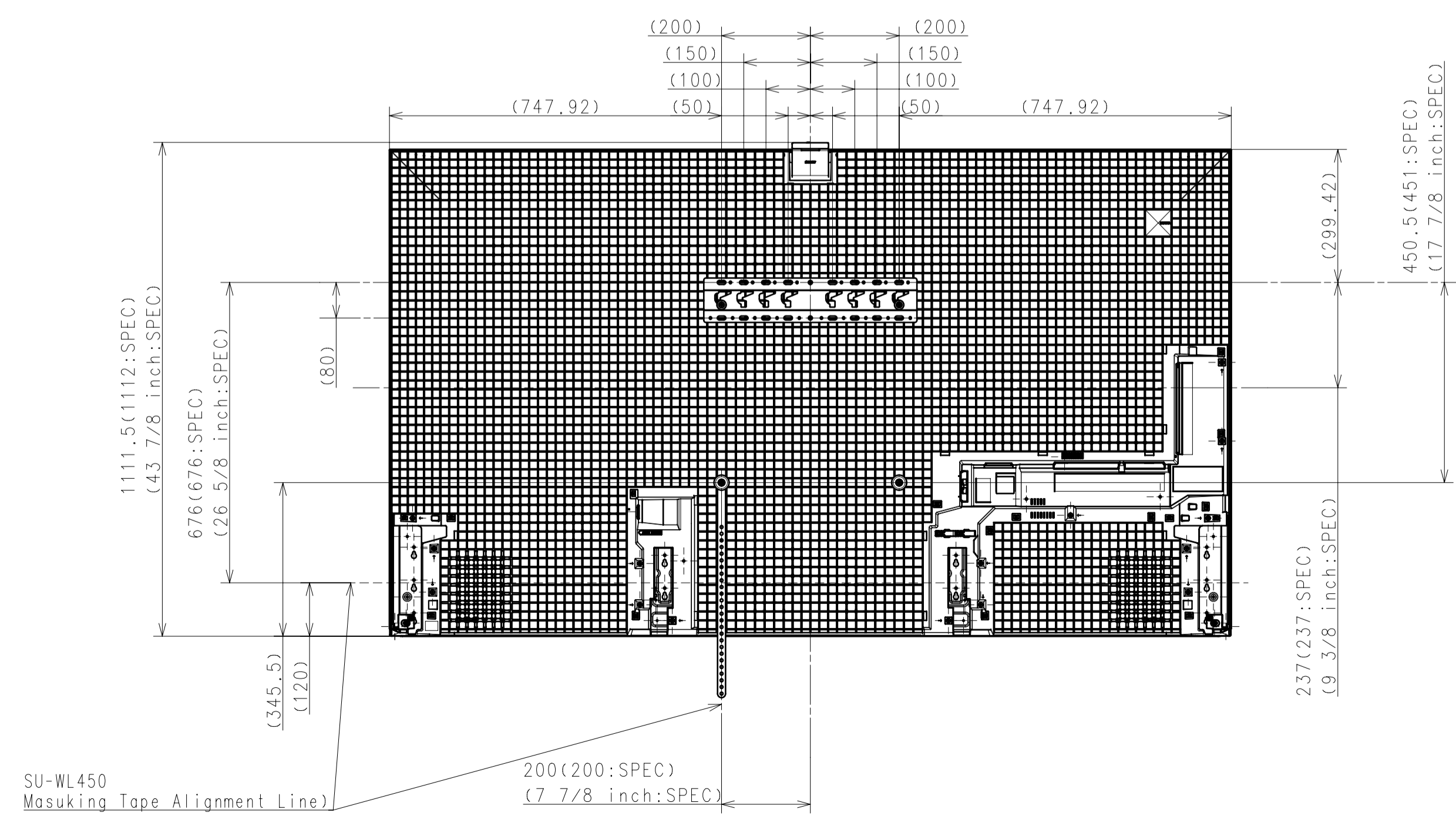
DESCRIPTION 1	LEGAL OWNER	SCALE
85 (Z9K) EXTERIOR VIEW	Sony Corporation	T:1
DESCRIPTION 2	PART NO.	SHEET/PAGES
85 (Z9K) EXTERIOR VIEW		2 / 3

WITHOUT STAND



SLIM MOUNT

STANDARD MOUNT



DESCRIPTION 1	85 (Z9K) EXTERIOR VIEW	LEGAL OWNER	Sony Corporation	SCALE	1:1
DESCRIPTION 2	85 (Z9K) EXTERIOR VIEW	PART NO.		SHEET/PAGES	3 / 3