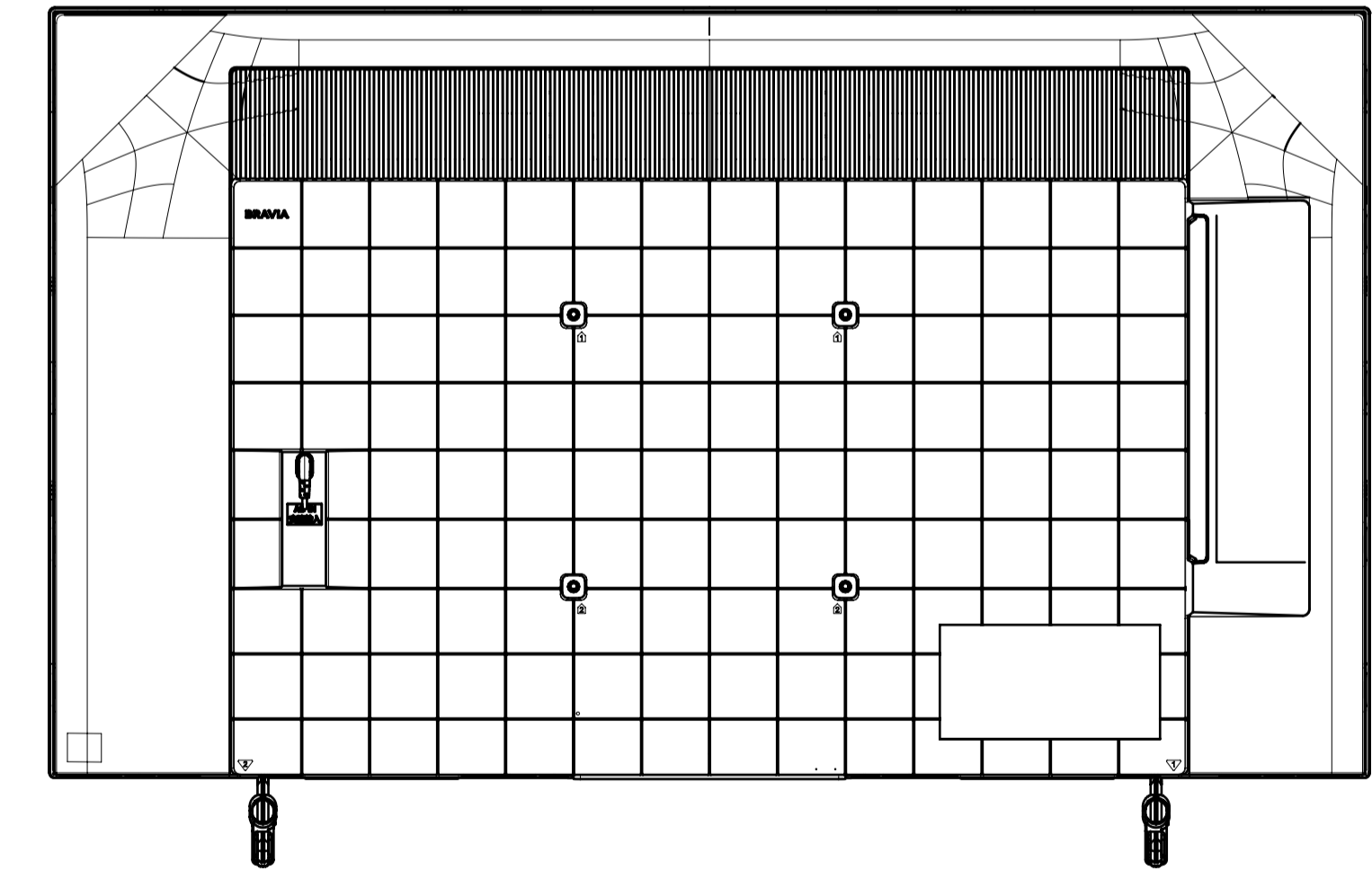
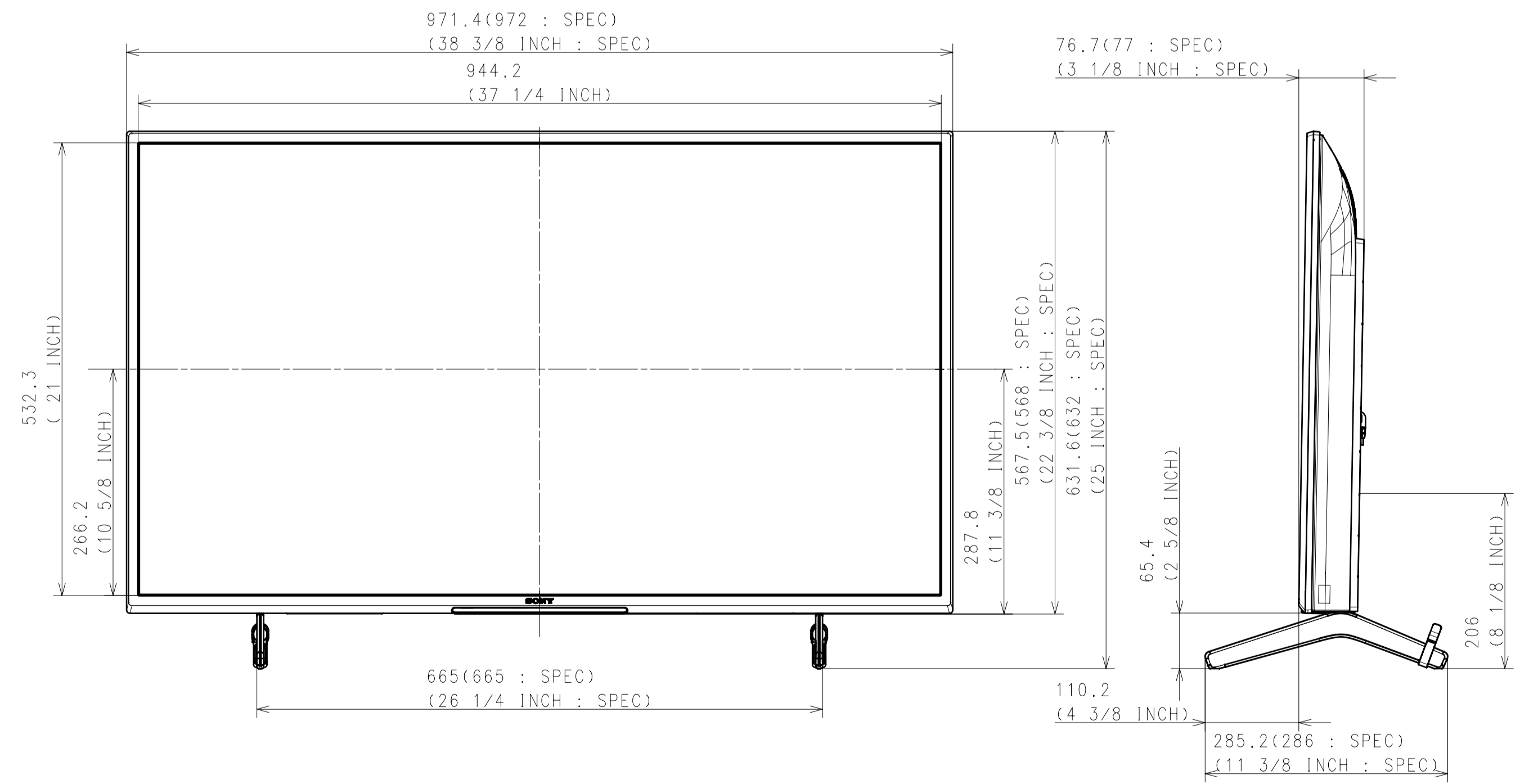
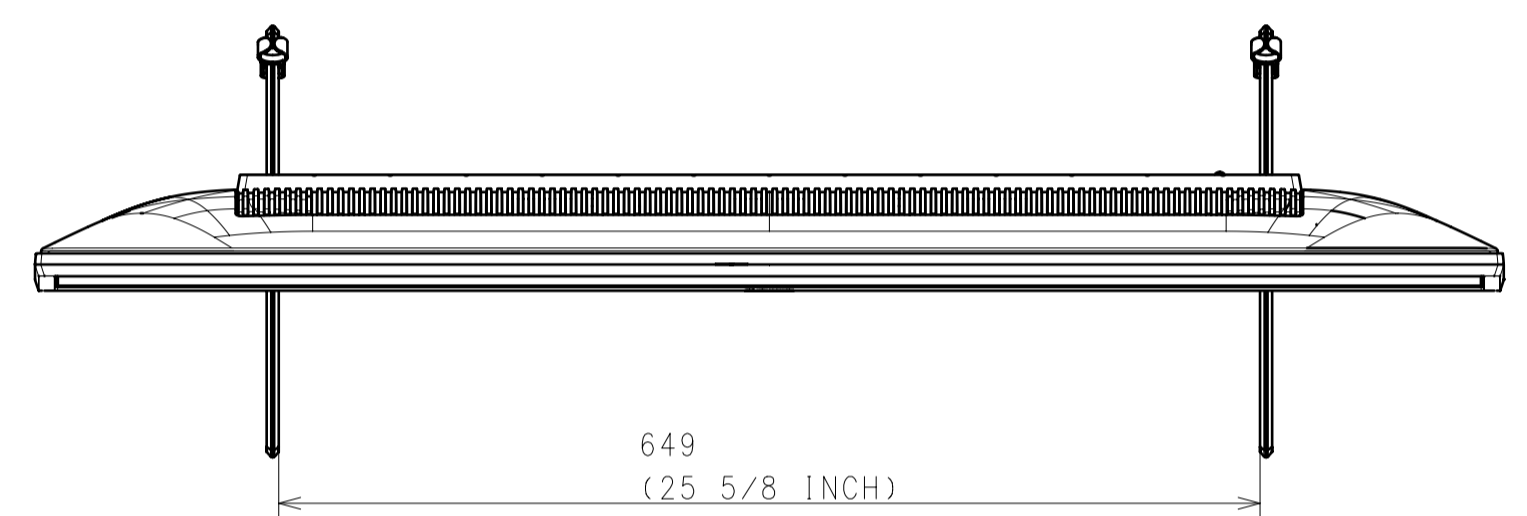


Area	JAPAN	NORTH AMERICA	LATIN AMERICA	EUROPE	EUROPE DERIVATIVE 1	GENERAL AREA
Model Name	KJ-43X80J	KD-43X80J	KD-43X80J	KD-43X81J	KD-43X82J	KD-43X80J
SV No.	SV-39151	SV-39010	SV-39024	SV-39138	SV-39134	SV-39049
DIMENSION	TV only (W x H x D)	97.2 x 56.7 x 7.0 cm	972 x 567 x 70 mm / 38 3/8 x 22 3/8 x 2 7/8 inch	972 x 567 x 70 mm	Approx. 97.2 x 56.7 x 7.0 cm	Approx. 97.2 x 56.7 x 7.0 cm
	TV with Stand (Standard position) (W x H x D)	97.2 x 63.2 x 28.6 cm	972 x 632 x 286 mm / 38 3/8 x 25 x 11 3/8 inch	972 x 632 x 286 mm	Approx. 97.2 x 63.2 x 28.6 cm	Approx. 97.2 x 63.2 x 30.0 cm Δ
	TV with Stand (Narrow position) (W x H x D)	-	-	-	-	-
	TV with Stand (Soundbar position) (W x H x D)	-	-	-	-	-
	TV with Floor Stand (W x H x D)	-	-	-	-	-
WEIGHT	Stand Width (Standard position)	66.5 cm	665 mm / 26 1/4 inch	665 mm	Approx. 66.5 cm	Approx. 66.5 cm
	Stand Width (Narrow position)	-	-	-	-	-
	Stand Width (Soundbar position)	-	-	-	-	-
	Floor Stand Width	-	-	-	-	-
	VESA Hole Pitch	20.0 x 20.0 cm	200 x 200 mm / 7 7/8 x 7 7/8 inch	200 x 200 mm	20.0 x 20.0 cm	20.0 x 20.0 cm
Remarks	TV Only	10 kg	10 kg / 22.1 lb	10 kg	Approx. 10 kg	Approx. 10 kg
	TV with Stand (Standard position)	10.5 kg	10.5 kg / 23.2 lb	10.5 kg	Approx. 10.5 kg	Approx. 13.5 kg
	TV with Stand (Narrow position)	-	-	-	-	-
	TV with Stand (Soundbar position)	-	-	-	-	-
	TV with Floor Stand	-	-	-	-	-
Floor Stand weight (Supply)	-	-	-	-	-	-
W-M't Br. Weight (Supply)	-	-	-	-	-	-
Remarks	-	-	-	-	Center Stand	-

WITH STAND (EXCEPT KD-43X82J)

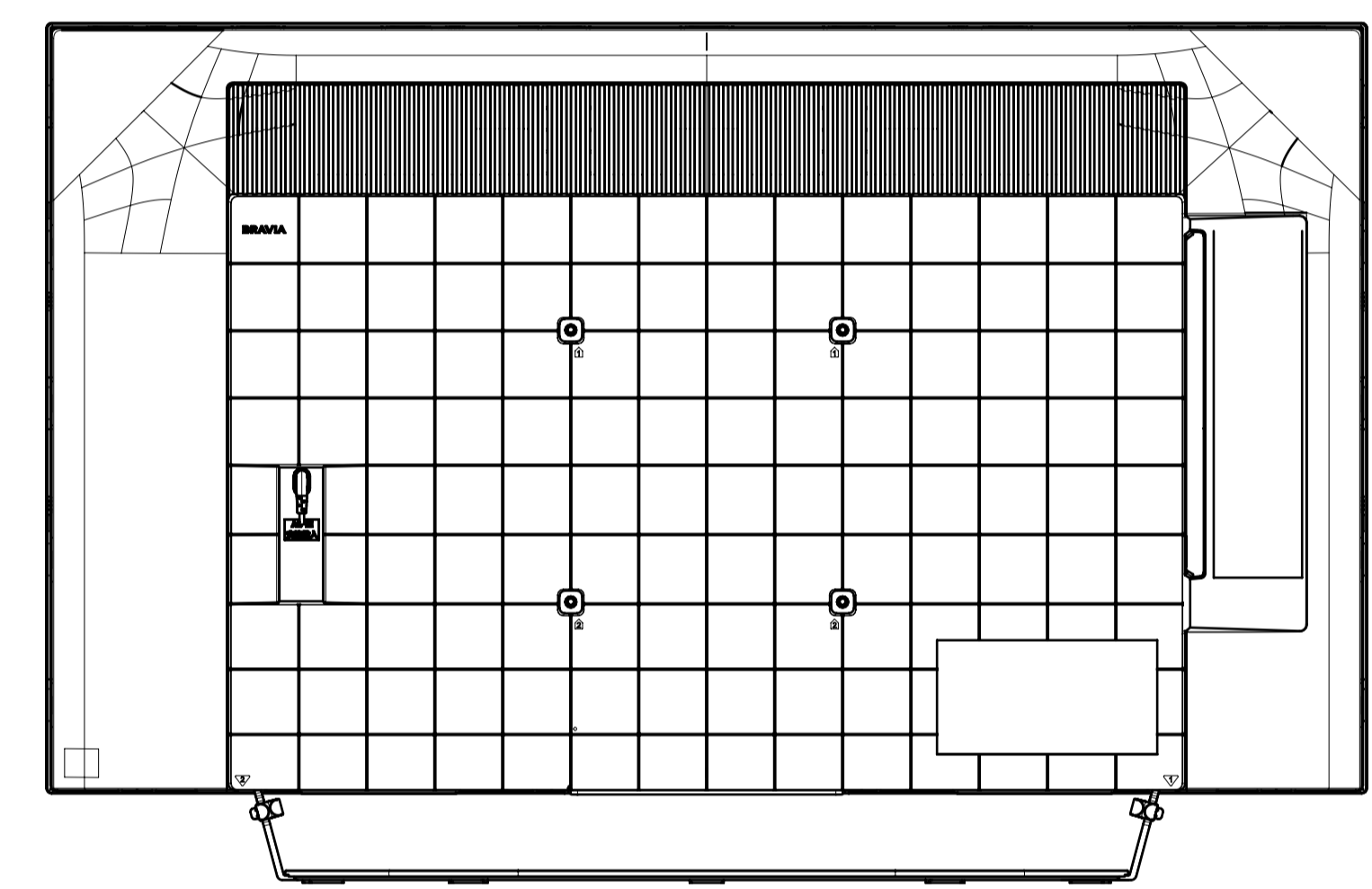
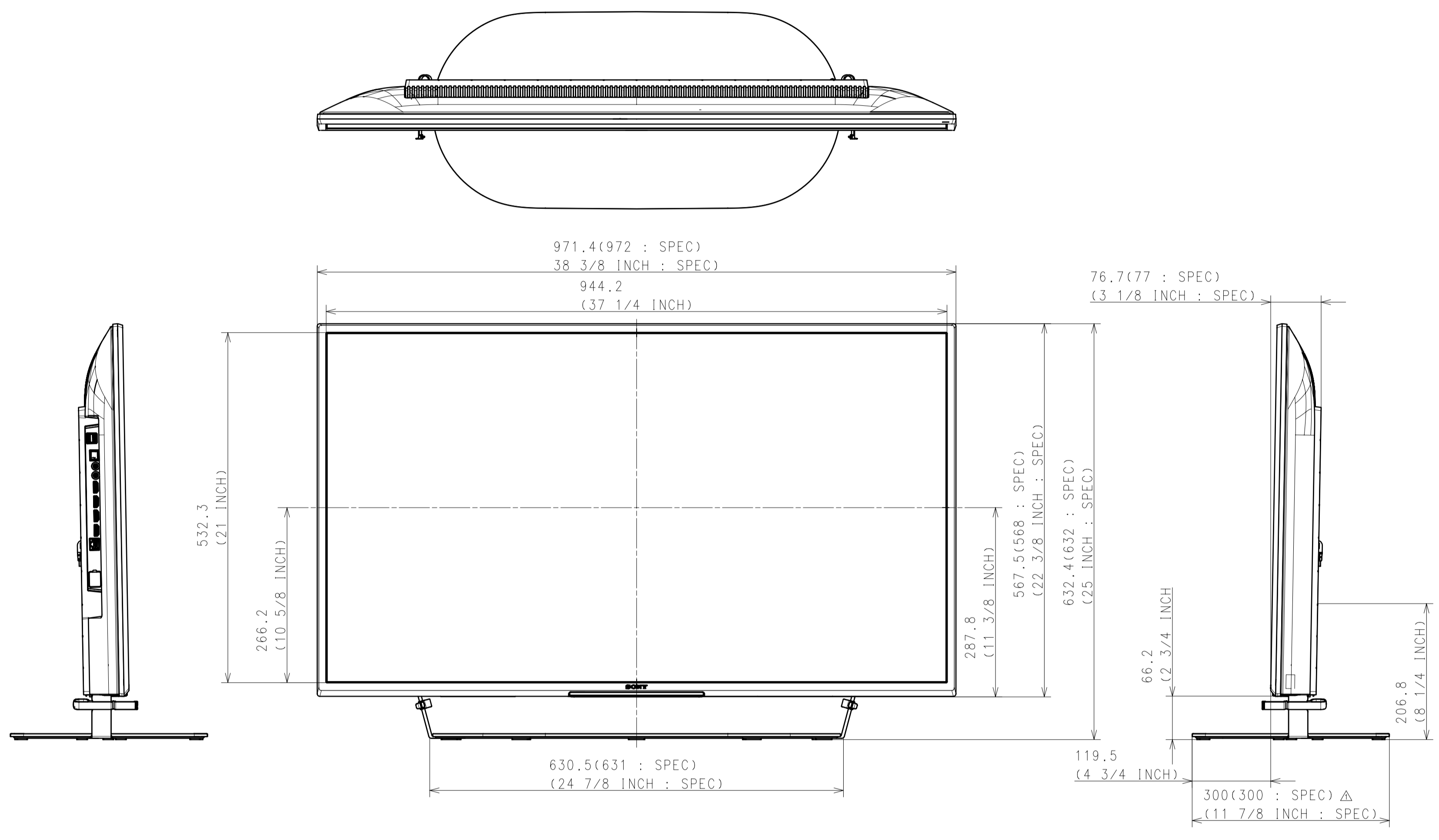


Purchase recycled resins and wire rods only from the business partners that Sony approves as Green Partners.
再生樹脂・銅線材はグリーンパートナー認定品から調達すること。

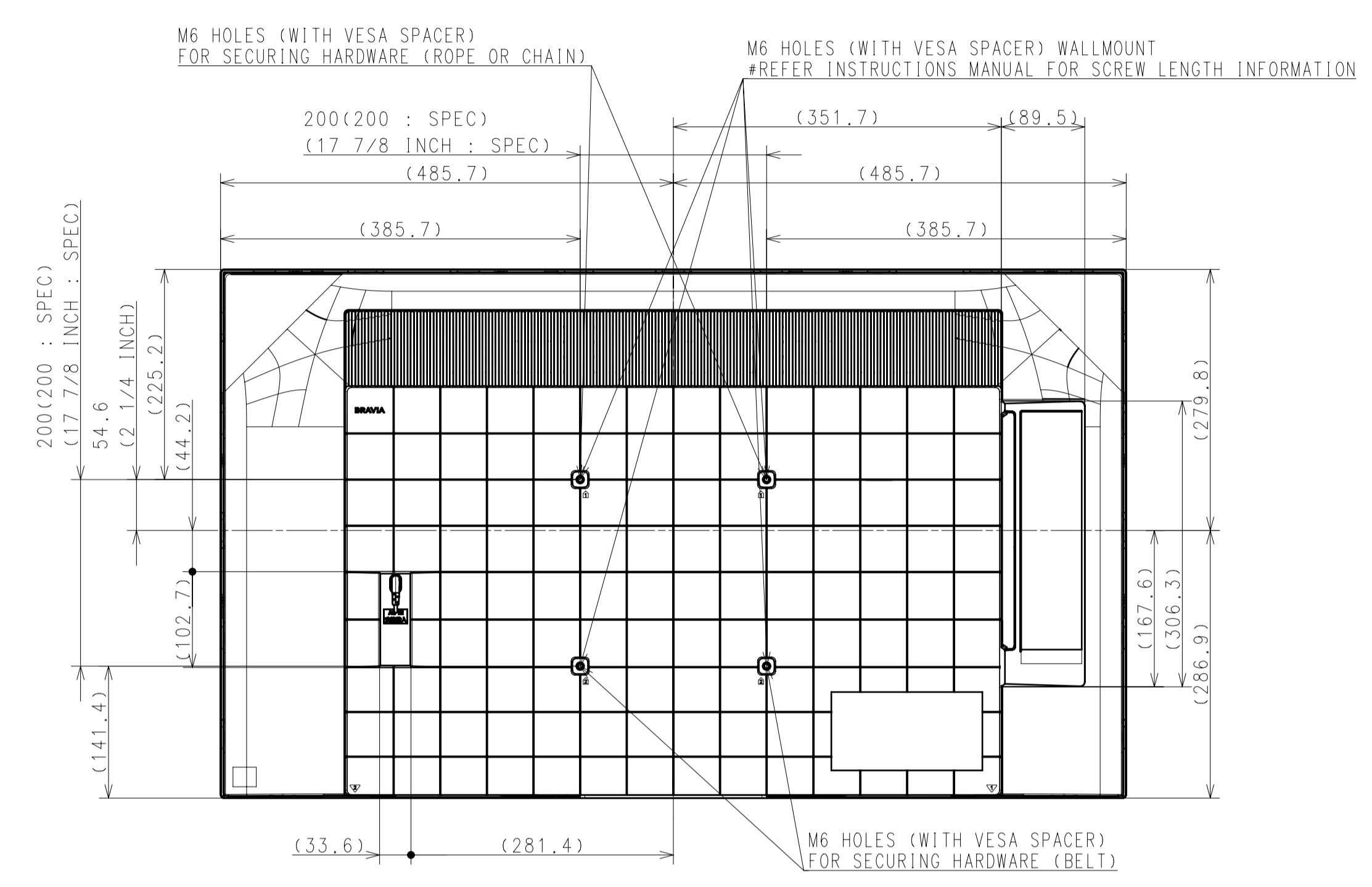
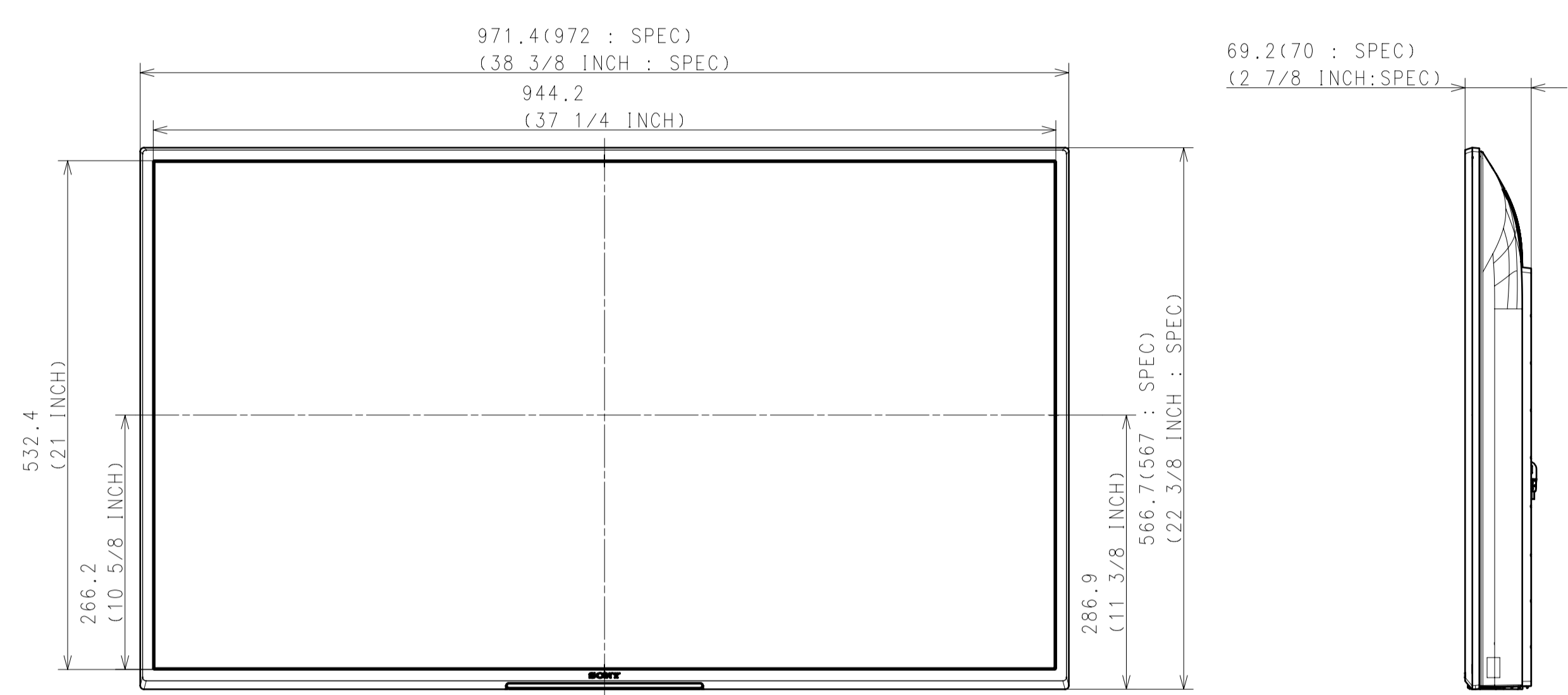
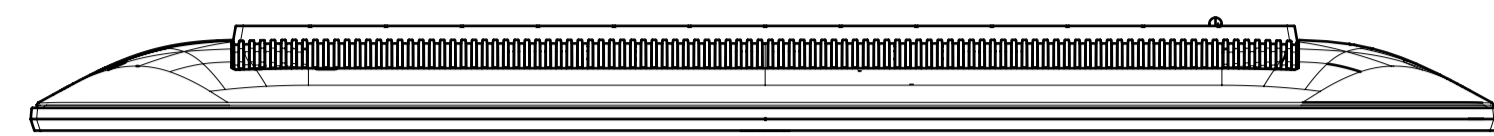
△x				GENERAL TOLERANCE	DATE OF ISSUE
△y					DOCUMENT TYPE
△z					ASSEMBLY
△2	2020.12.03	CORRECT INFORMATION	PHYS. ISSUE		TECHNICAL DRAWING
HISTORY	SUFFIX	RELEASE NO.	REVISION	SIGN.	DATE
1					
2					
LEGAL OWNER	Sony Corporation			MATERIAL COLOR	FINISH COLOR
RESPONSIBLE DEPARTMENT				ORIGINAL MODEL	DESCRIPTION
PLANNED BY	CHECKED BY	APPROVED BY	SCALE	TENTATIVE MODEL	43(X80J) EXTERIOR VIEW
DRAWN BY			1:5		43(X80J) EXTERIOR VIEW
			PROJ. METHOD	SIZE	UNIT
			A1	mm	
				PAGE NO.	SUFFIX
				REV. NO.	1/4

18.08 F spec - D12

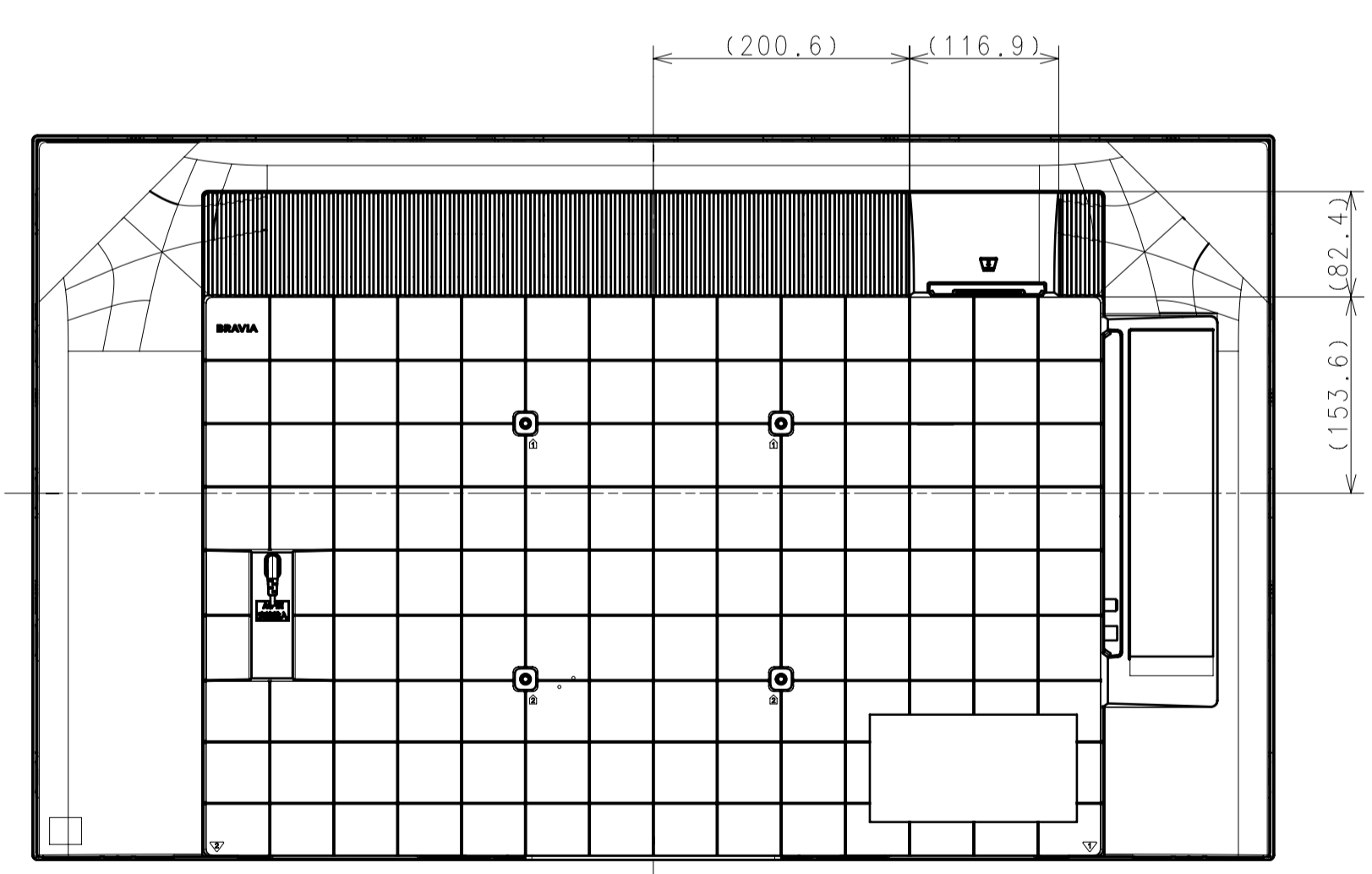
WITH STAND (KD-43X82J)



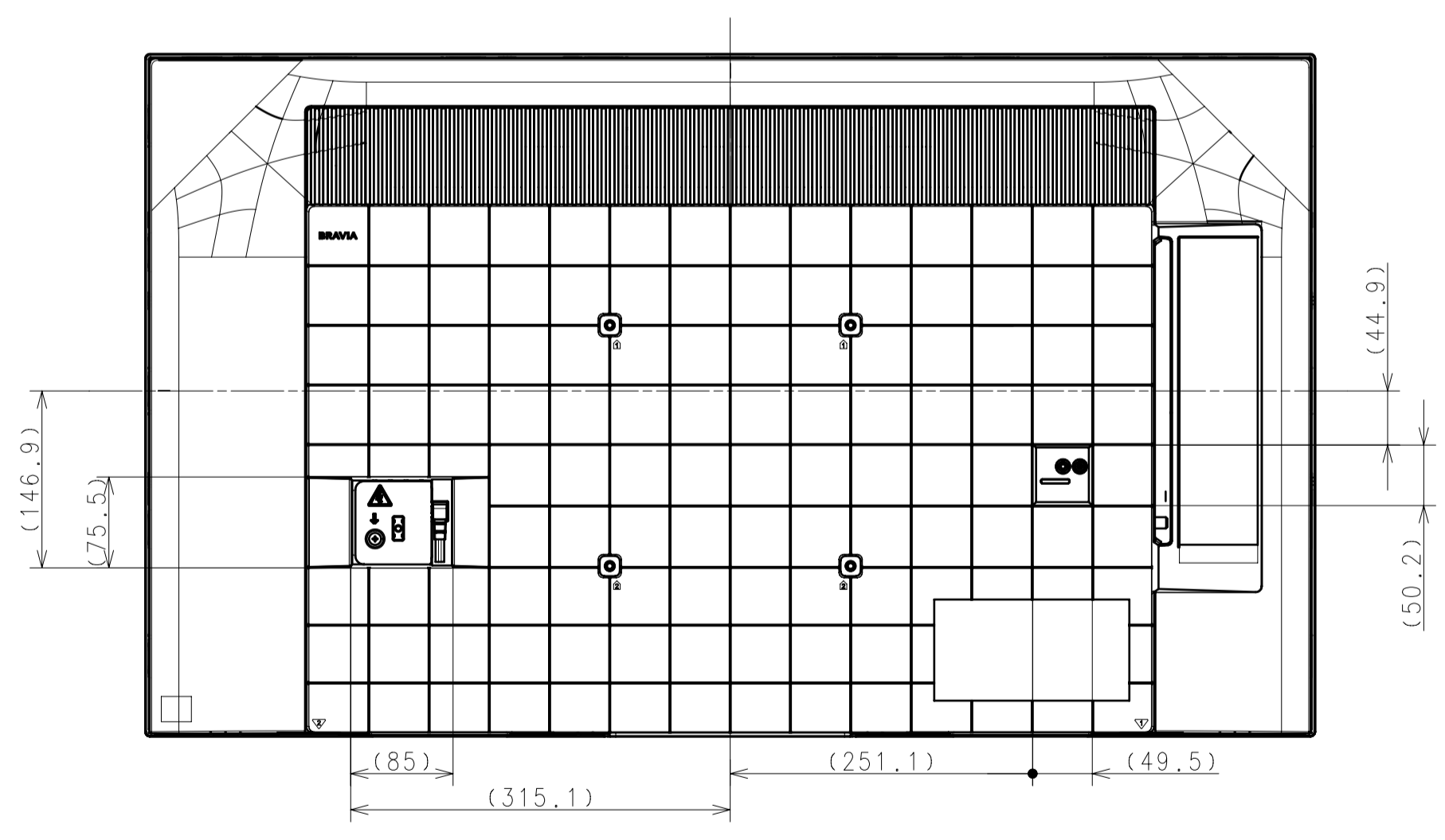
DESCRIPTION 1	LEGAL OWNER	SCALE
43(X80J) EXTERIOR VIEW	Sony Corporation	1:5
DESCRIPTION 2	PART NO.	SHEET/PAGES
43(X80J) EXTERIOR VIEW		2 / 4



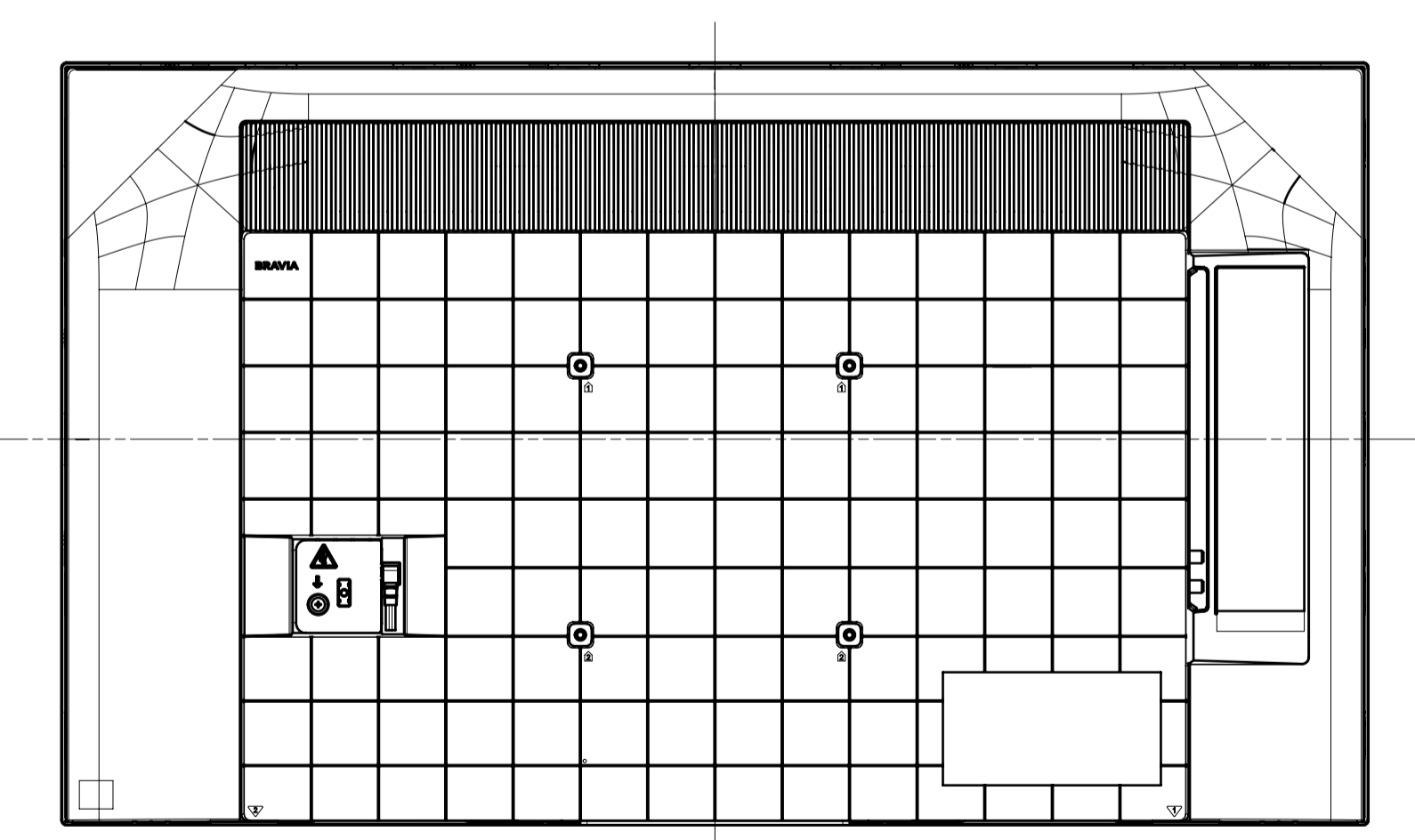
FOR. GENERAL AREA



FOR. EUROPE



FOR. JAPAN



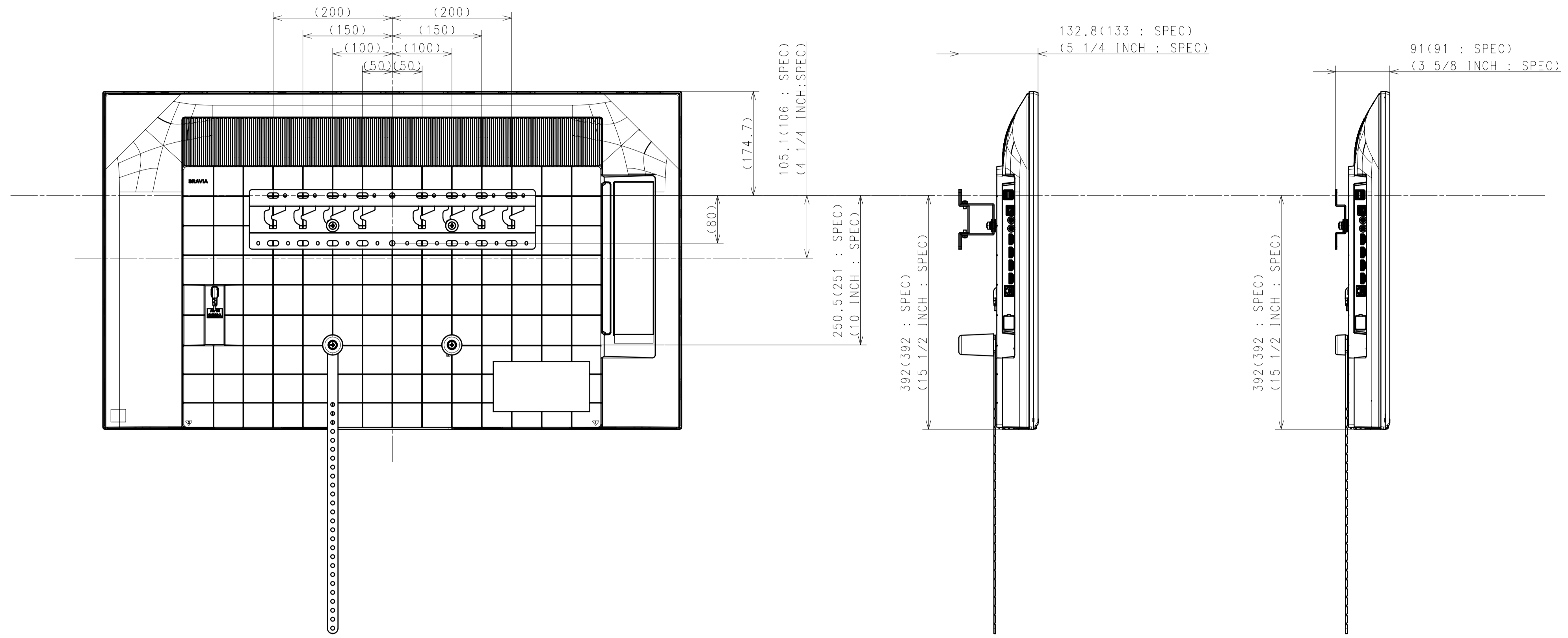
FOR. CHINA

DESCRIPTION1 43(X80J) EXTERIOR VIEW	LEGAL OWNER Sony Corporation	SCALE 1:5
DESCRIPTION2 43(X80J) EXTERIOR VIEW	PART NO.	SHEET/PAGES 3/4

SU-WL450

STANDARD

SLIM



DRAWING

SONY STANDARD

DESCRIPTION 1	LEGAL OWNER	SCALE
43(X80J) EXTERIOR VIEW	Sony Corporation	1:5
DESCRIPTION 2	PART NO.	SHEET/PAGES
43(X80J) EXTERIOR VIEW		4 / 4