

WITH STAND

NARROW POSITION

KD-55X81J

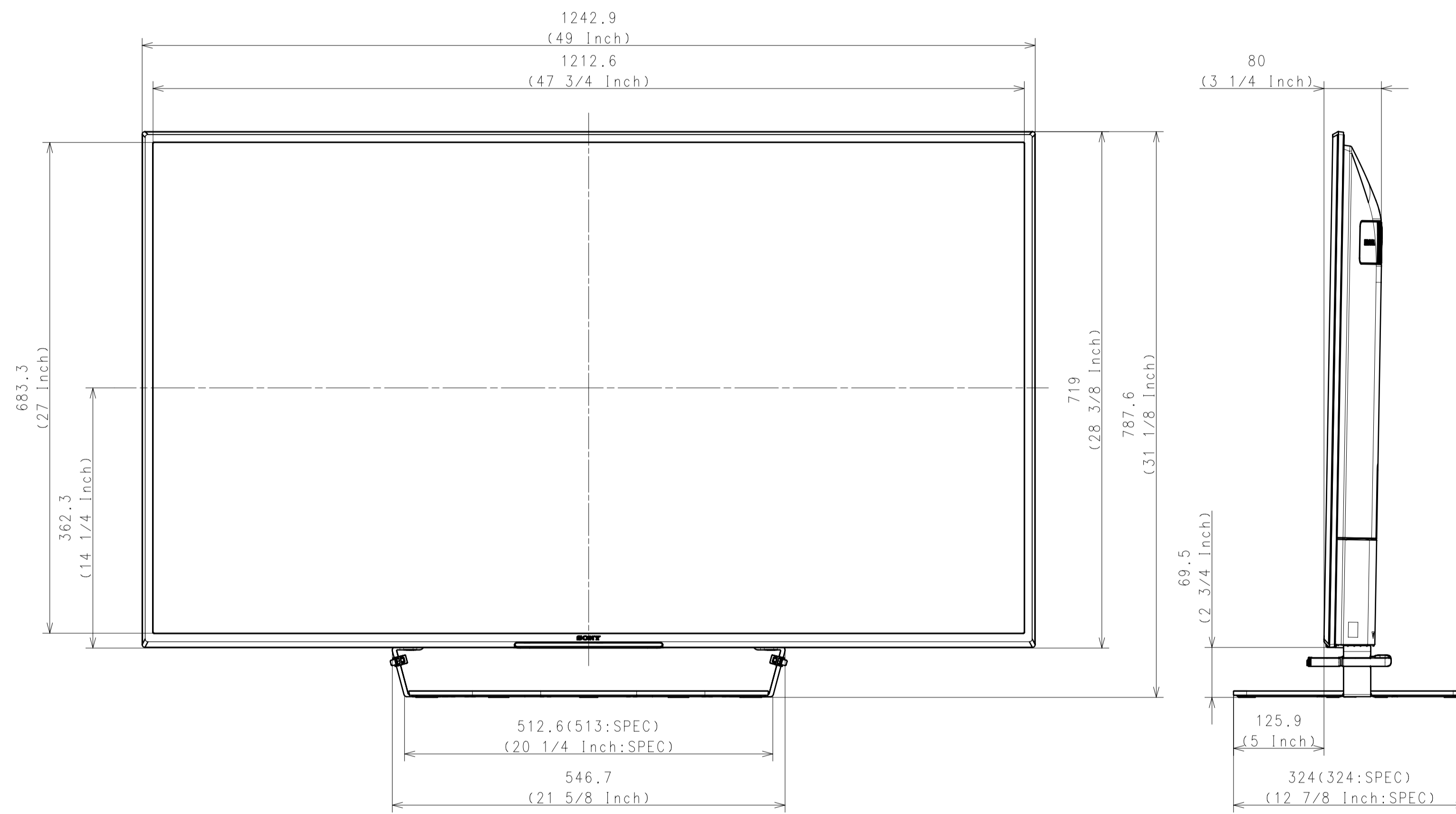
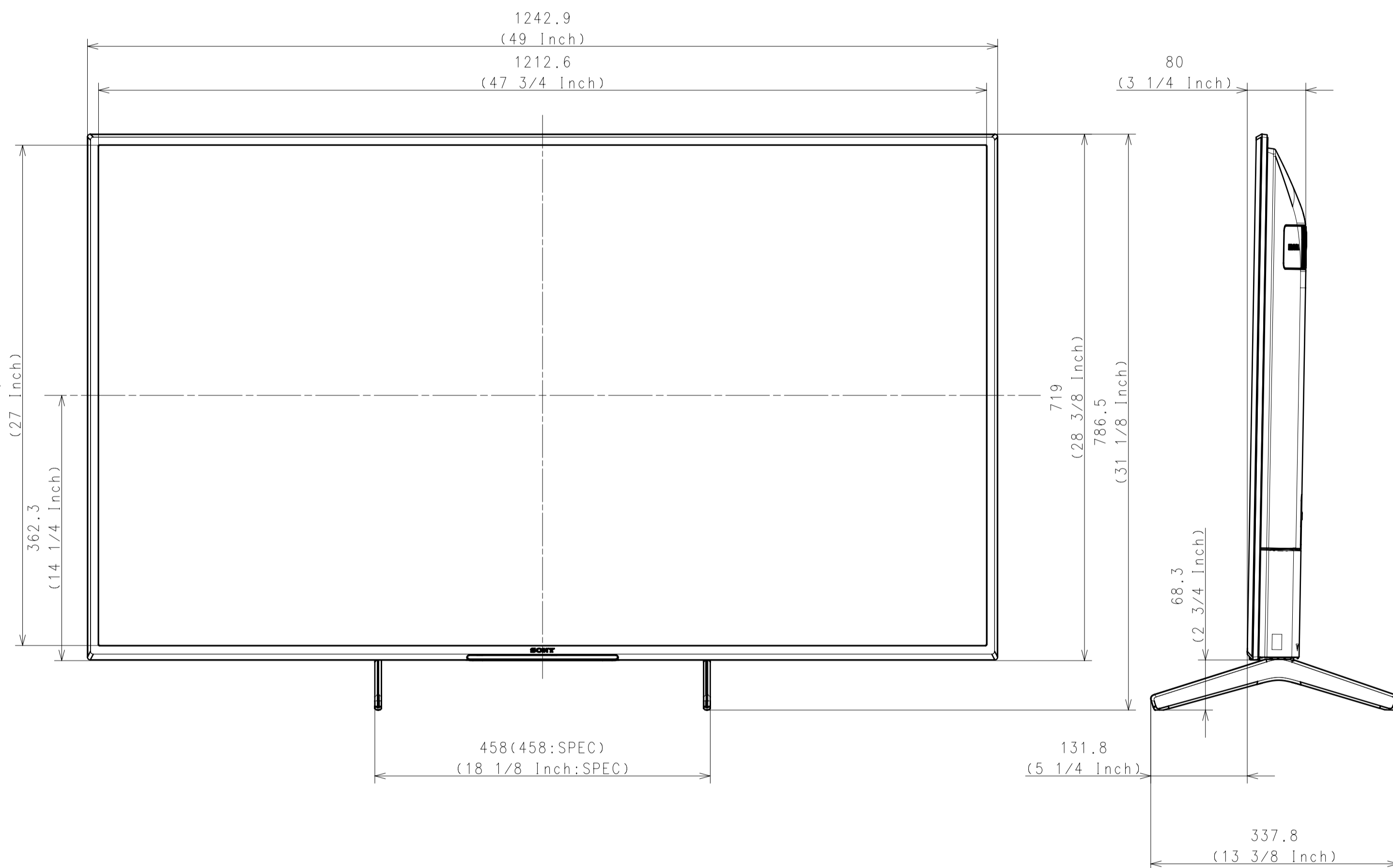
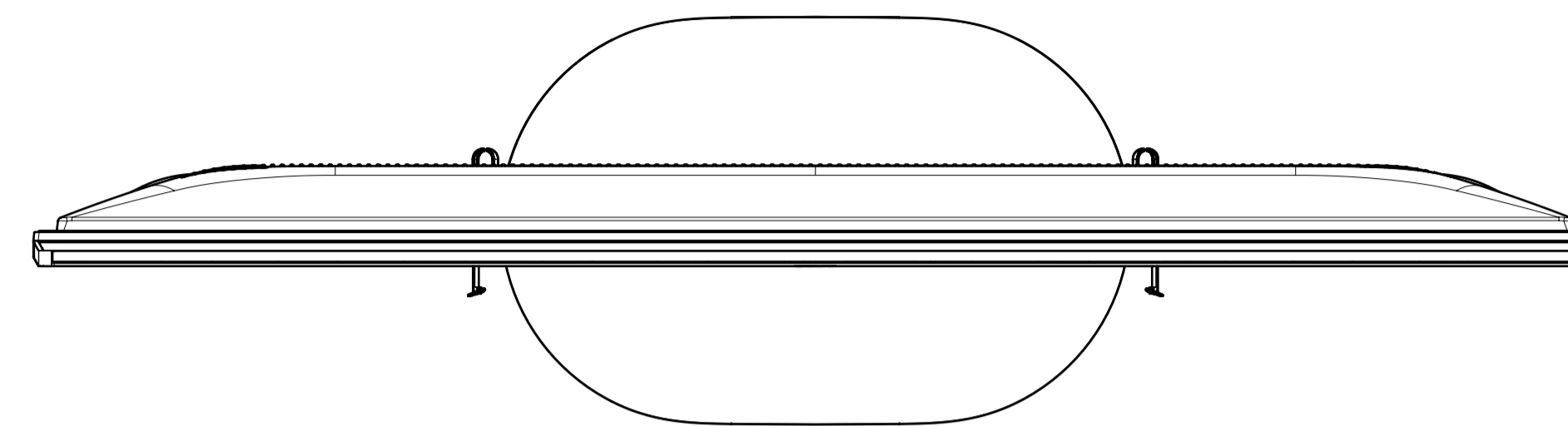
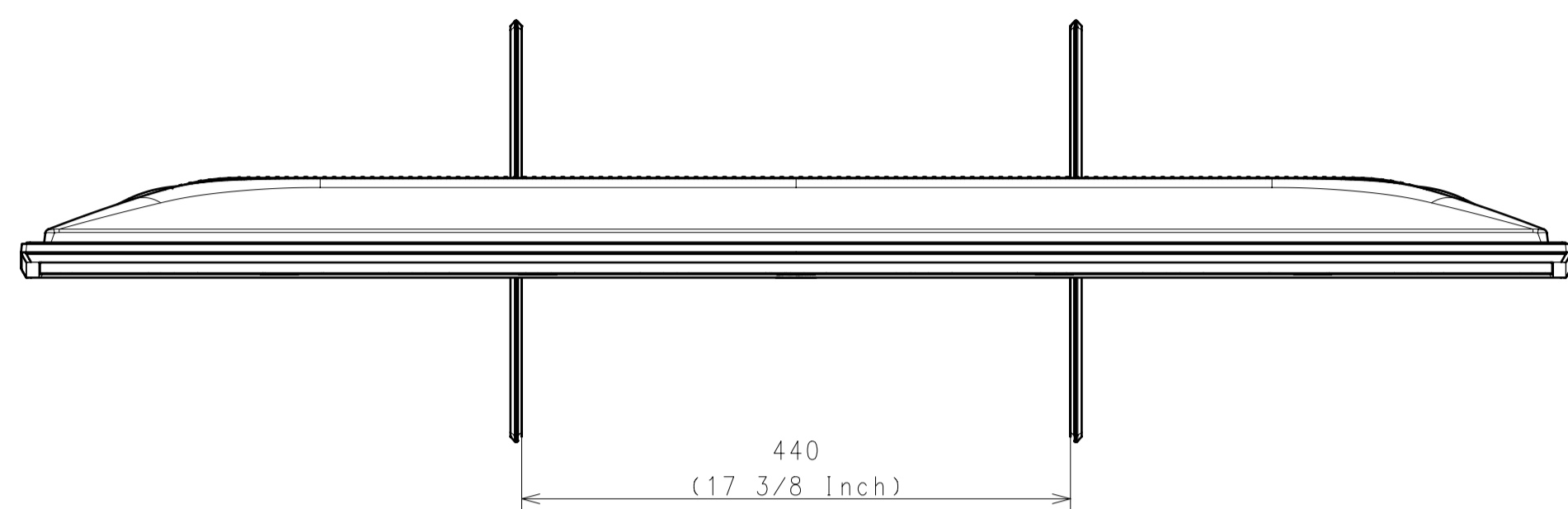
△ KD-55X80J

△ (EUROPE Model only/Except EUROPE2 Model,EUROPE DERIVATIVE1)

CENTER POSITION

KD-55X82J

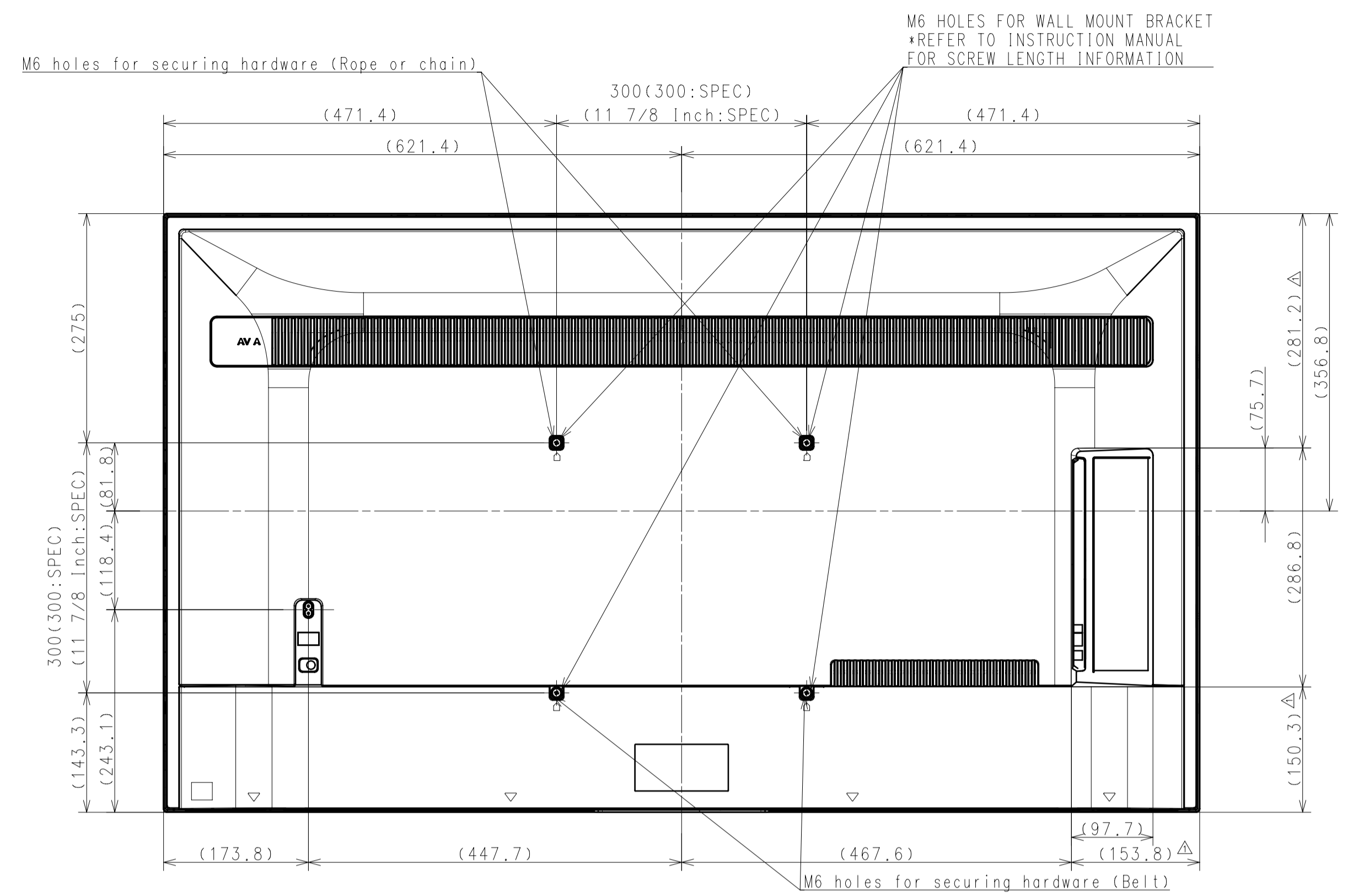
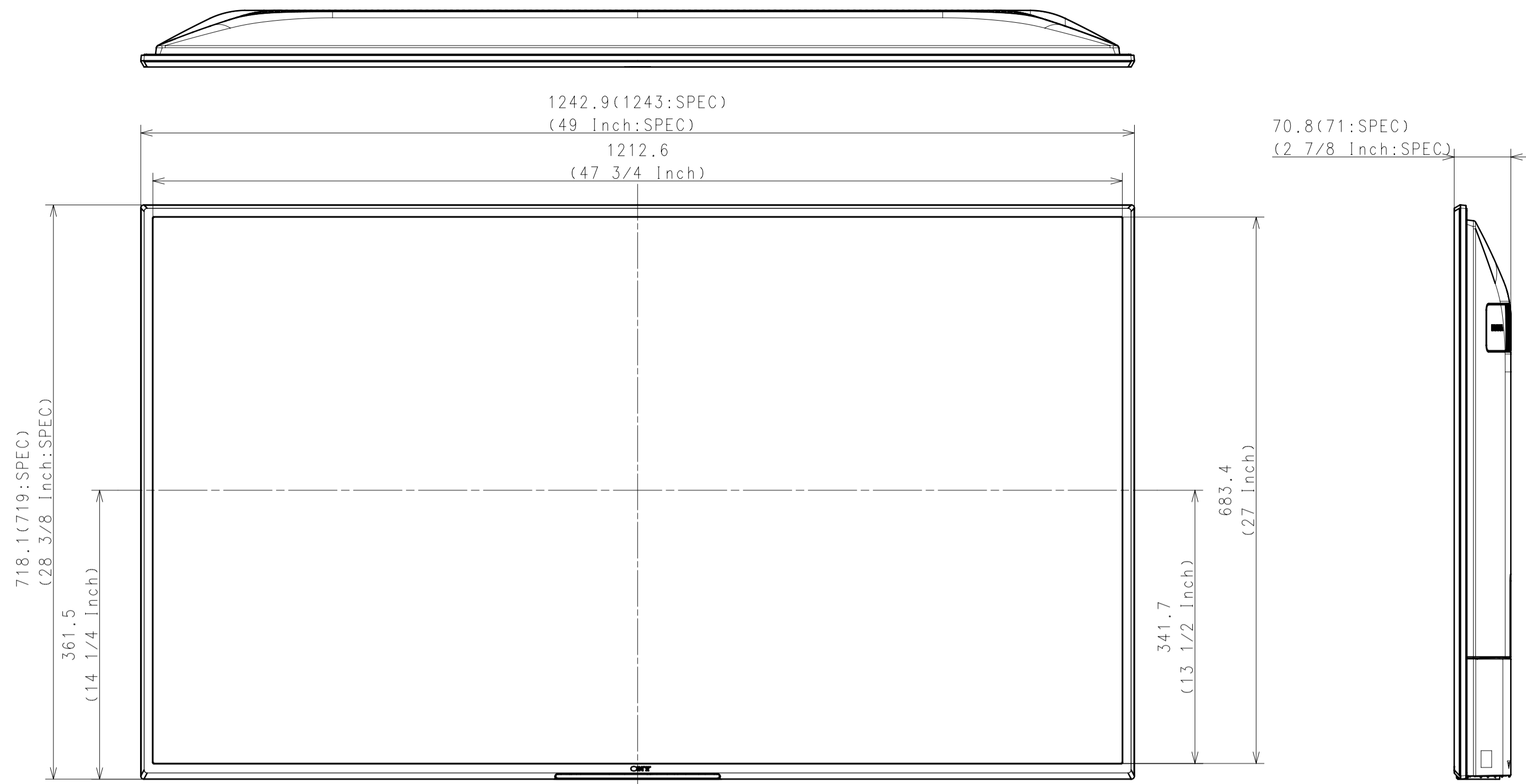
△ (EUROPE DERIVATIVE1 only)



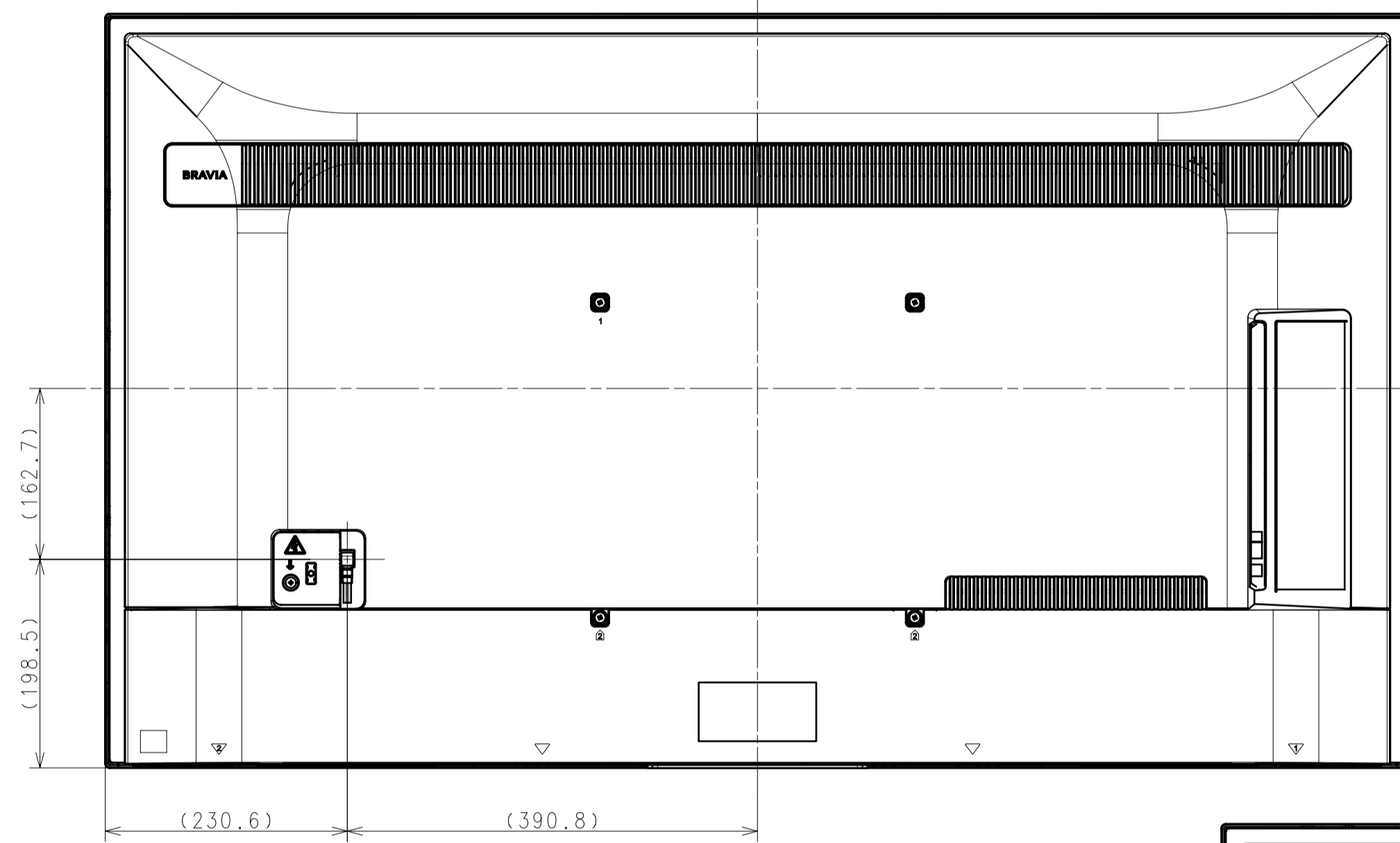
DRAWING
SONY STANDARD

DESCRIPTION 1	LEGAL OWNER	SCALE
55(X80J) EXTERIOR VIEW	Sony Corporation	1:5
DESCRIPTION 2	PART NO.	SHEET/PAGES
55(X80J) EXTERIOR VIEW		2 / 5

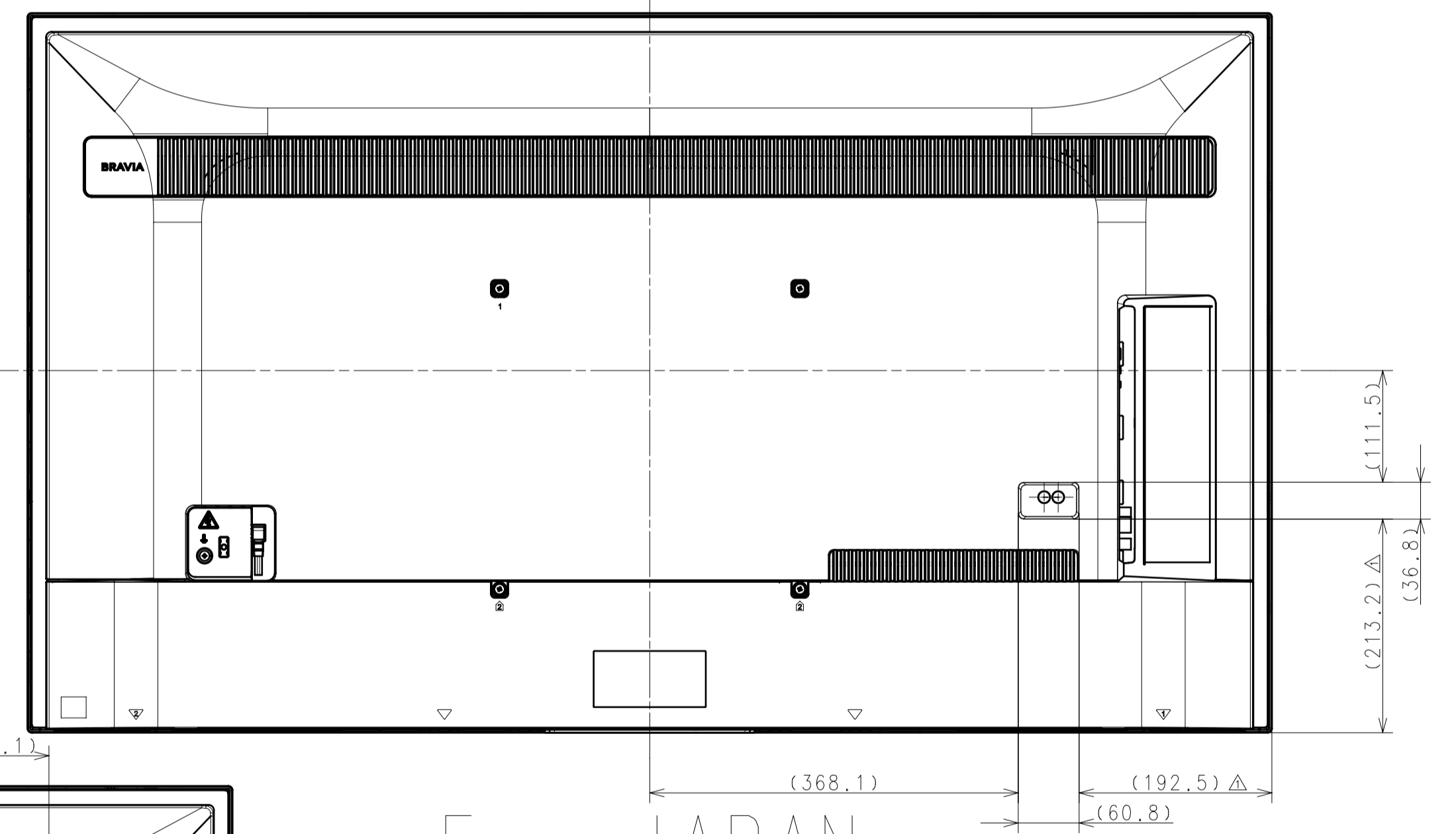
WITHOUT STAND



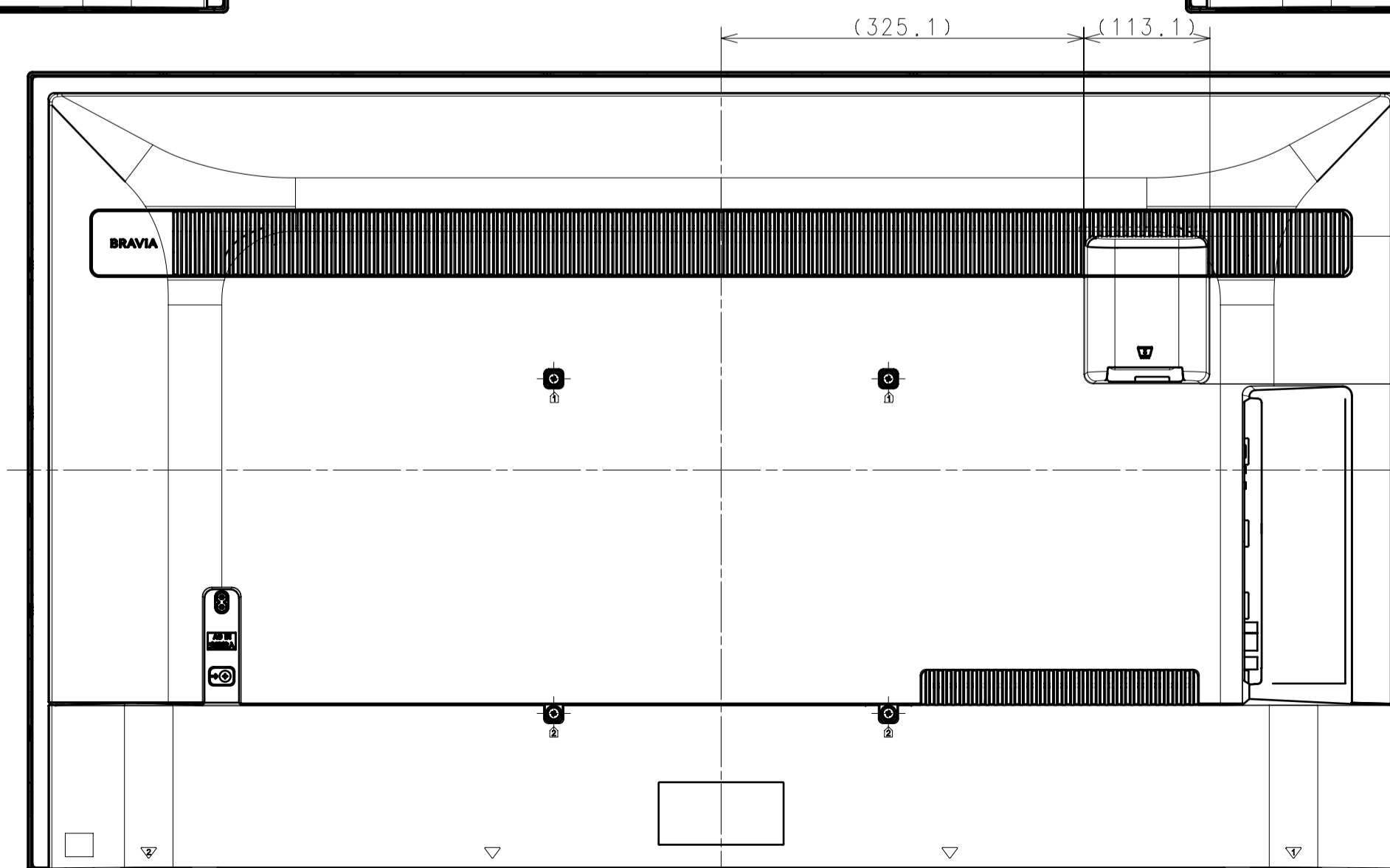
△ For. NORTH AMERICA, GENERAL AREA, CHINA



△ For. LATIN AMERICA



For. JAPAN



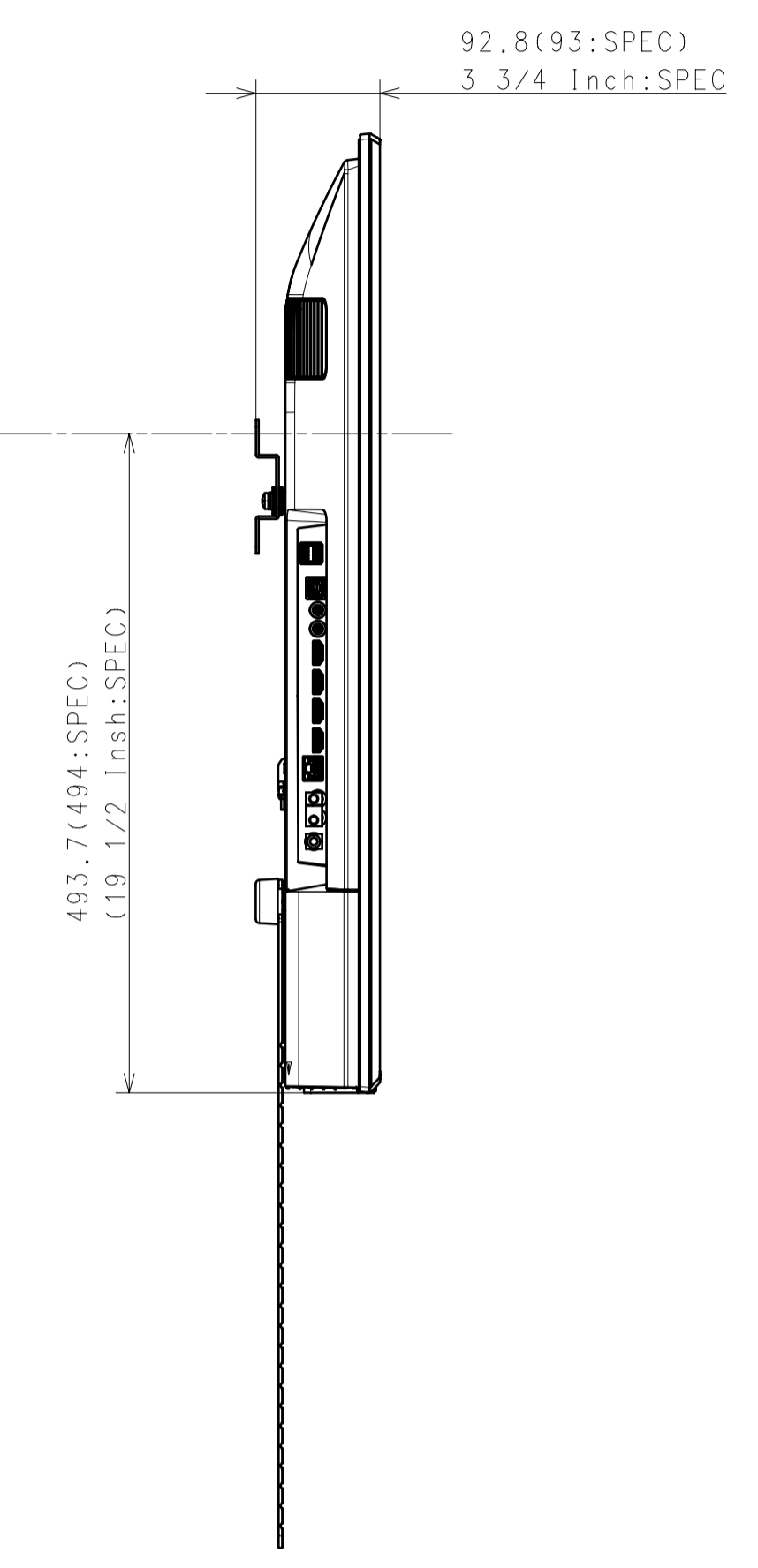
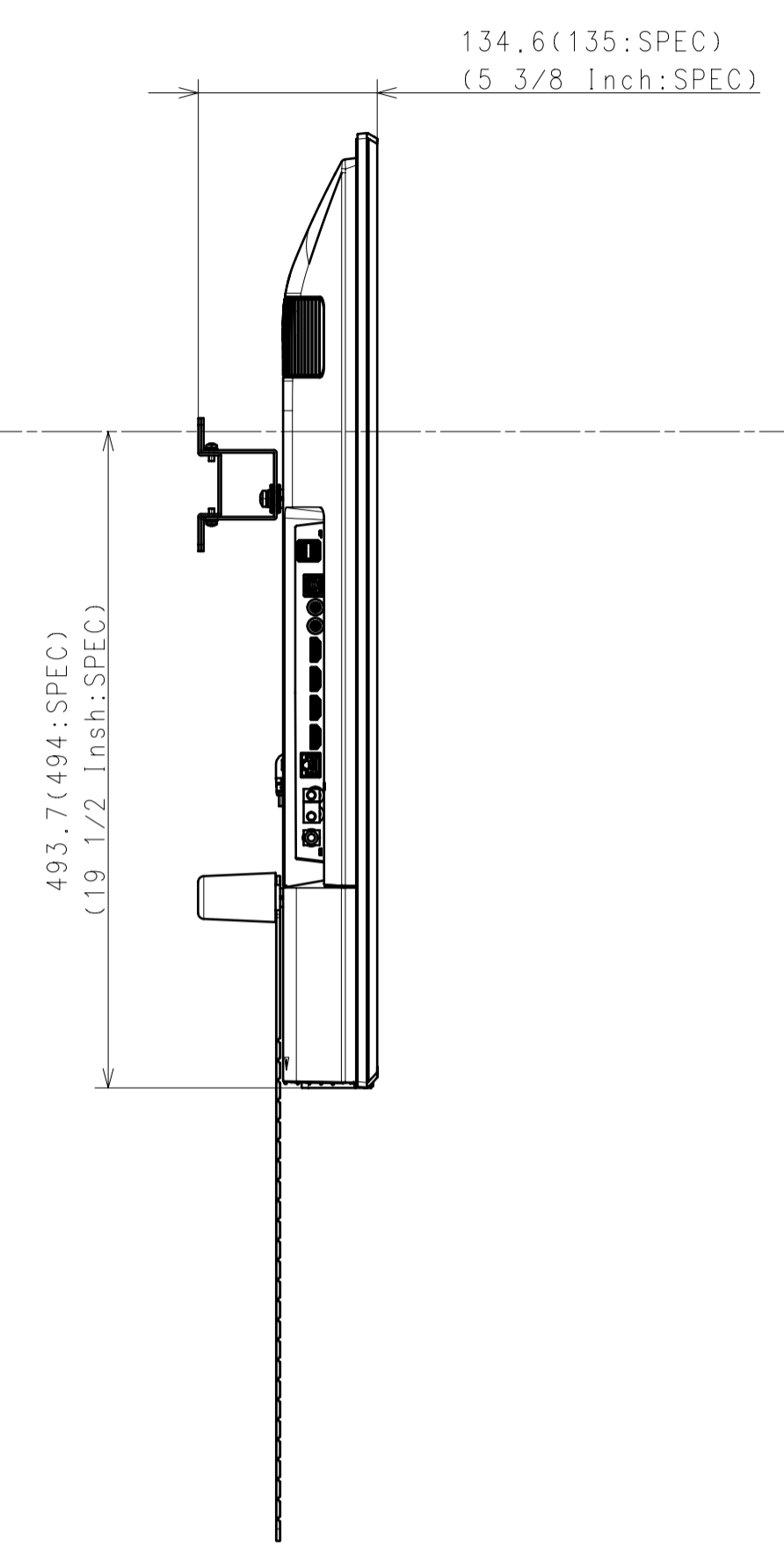
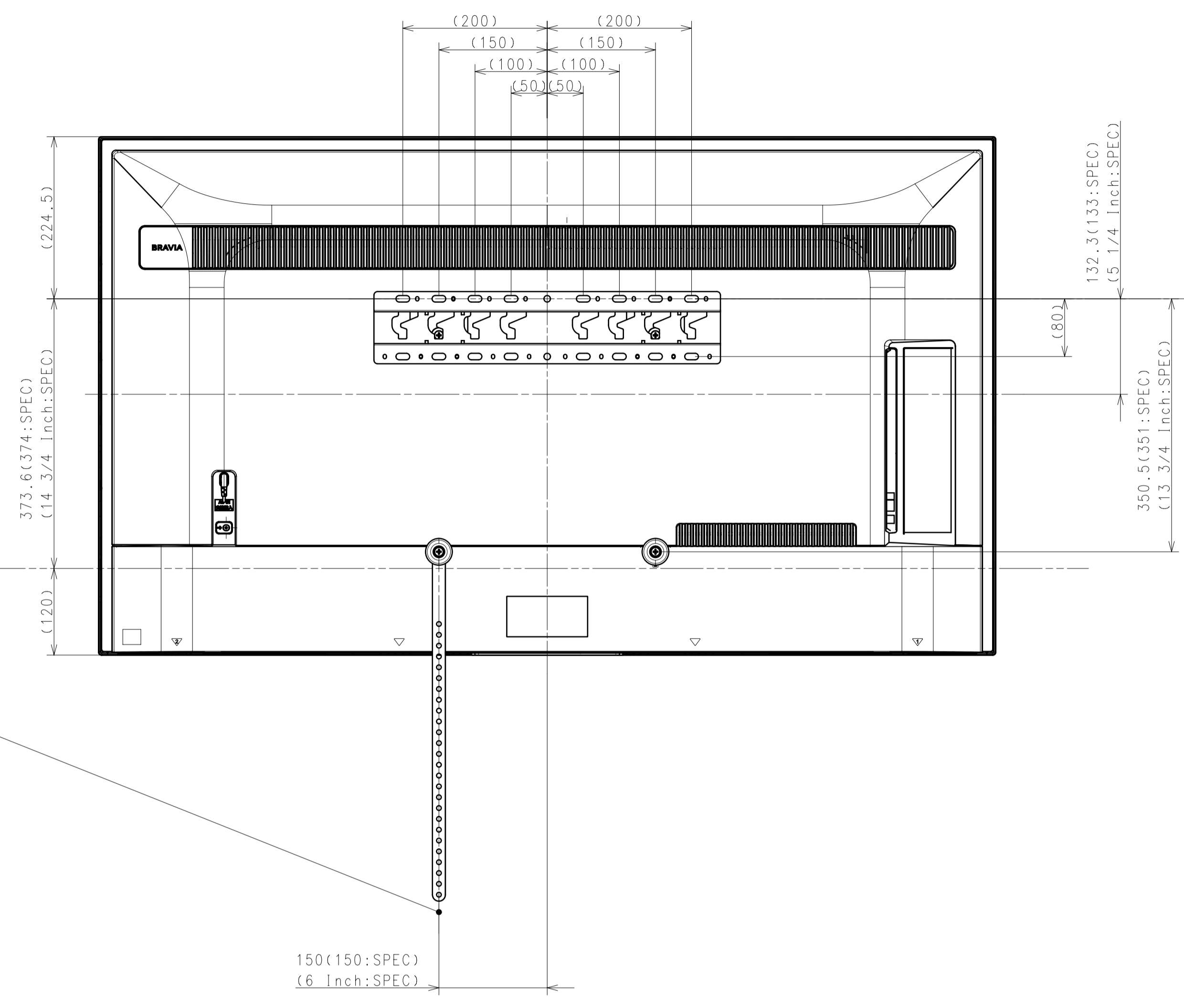
△ For. EUROPE, EUROPE2, EUROPE DERIVATIVE1

DESCRIPTION/1 55(X80J) EXTERIOR VIEW	SCALE 1:5
DESCRIPTION/2 55(X80J) EXTERIOR VIEW	SHEET/PAGES 3/ 5
LEGAL OWNER Sony Corporation	PART NO.
TENTATIVE PART NO.	PART NO.

SU-WL450

STANDARD

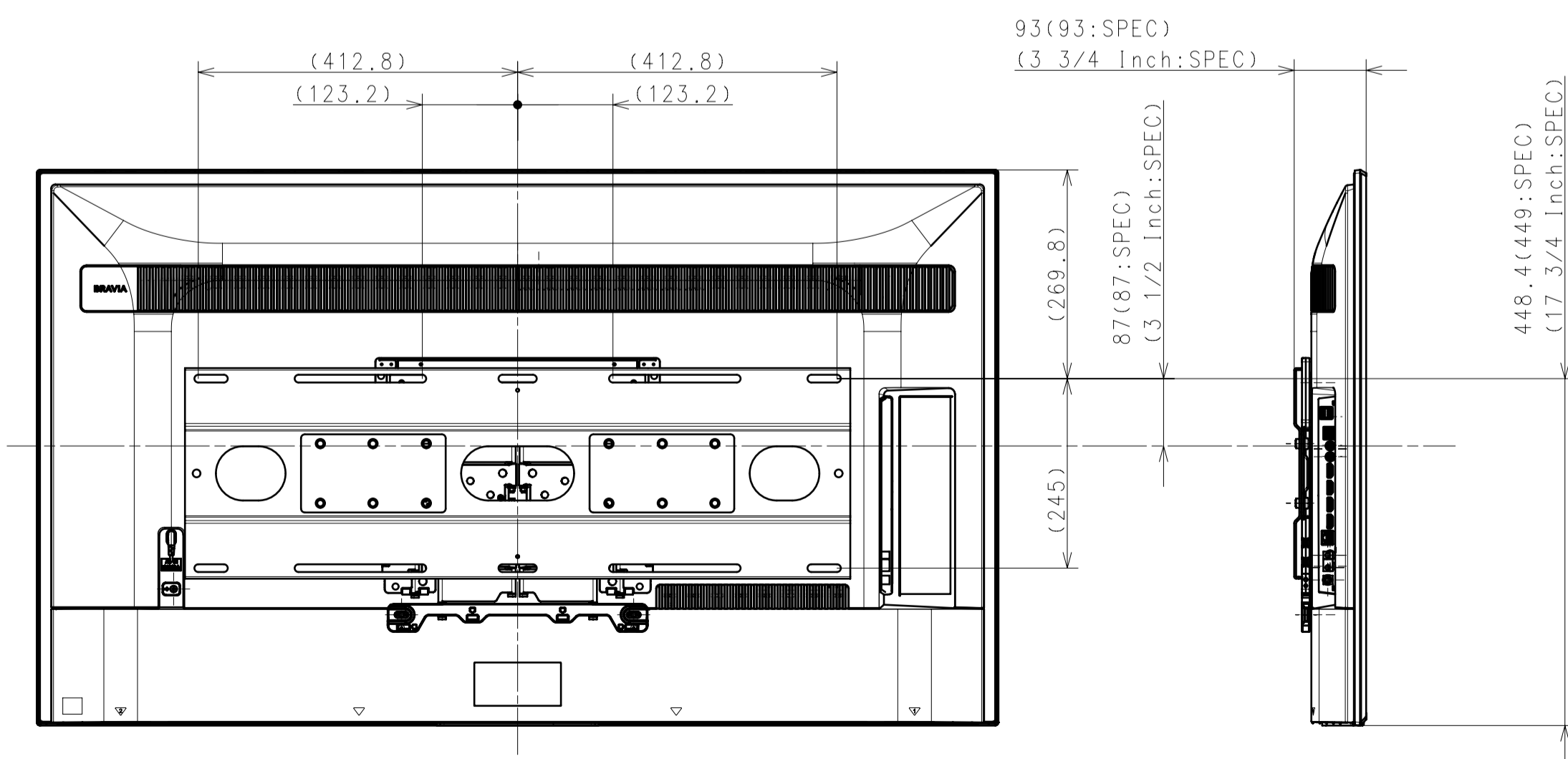
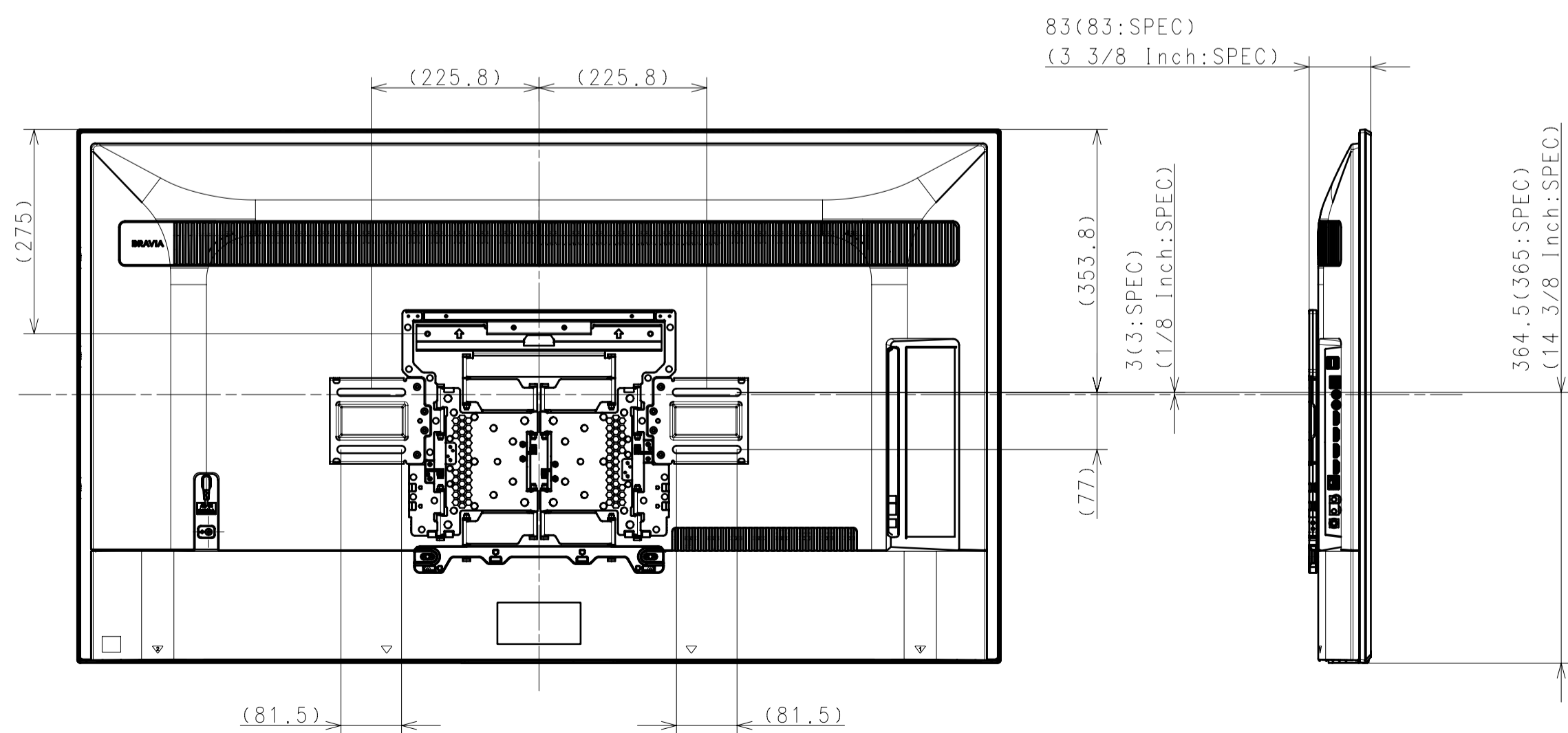
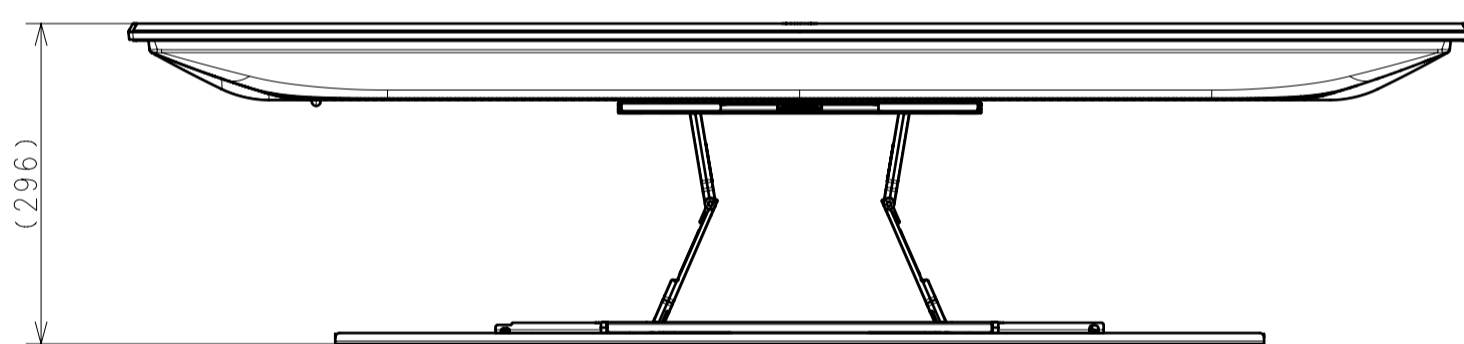
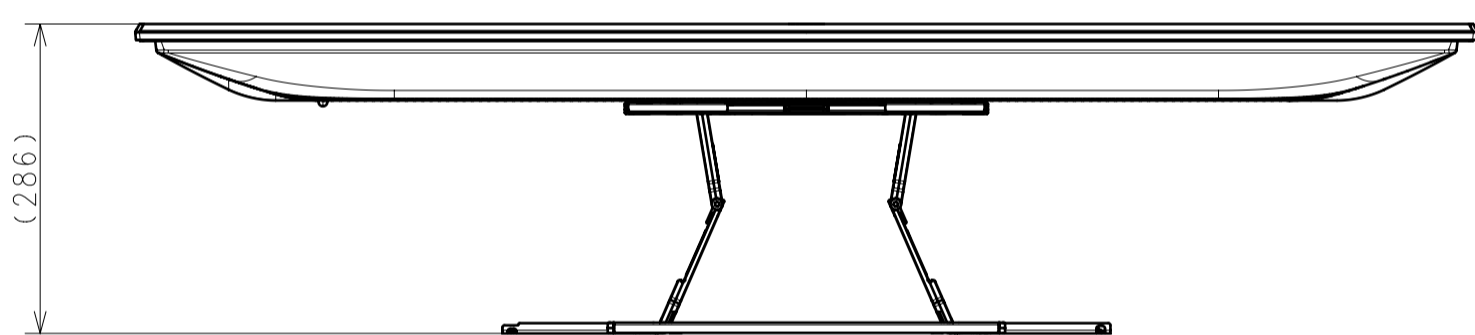
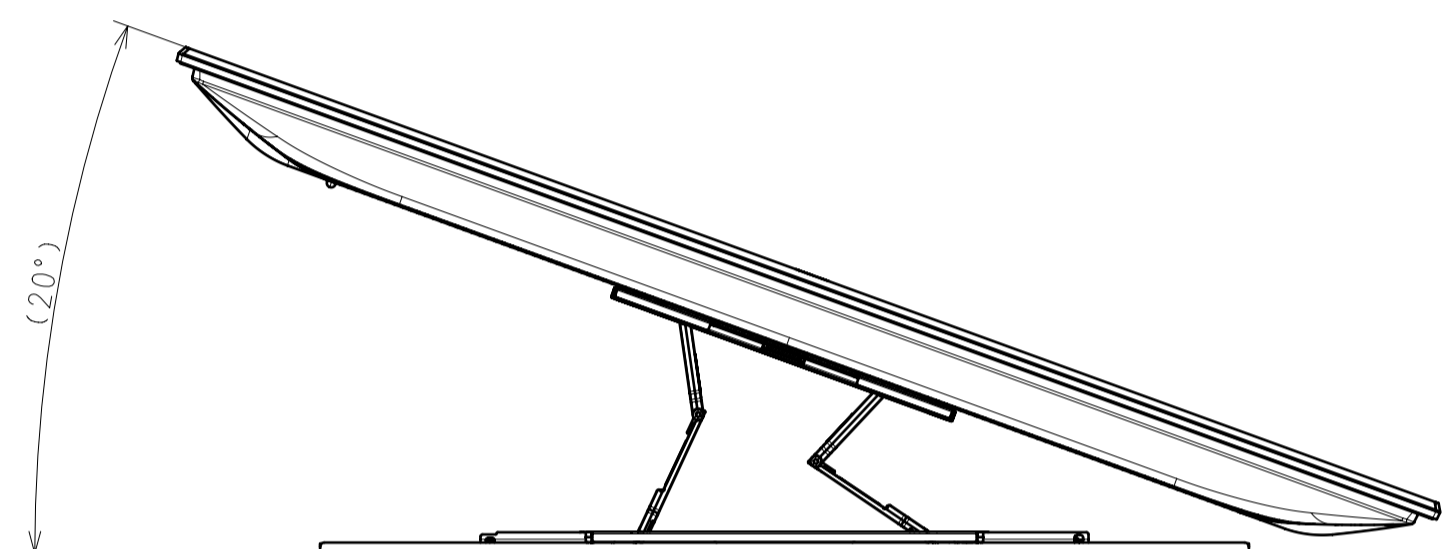
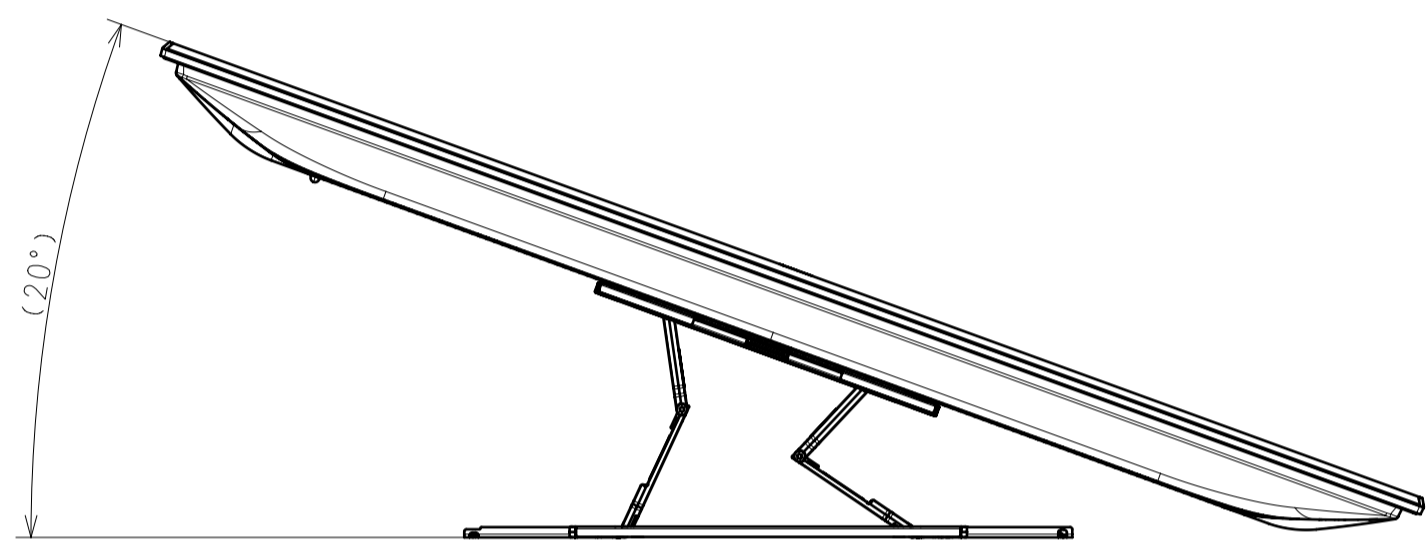
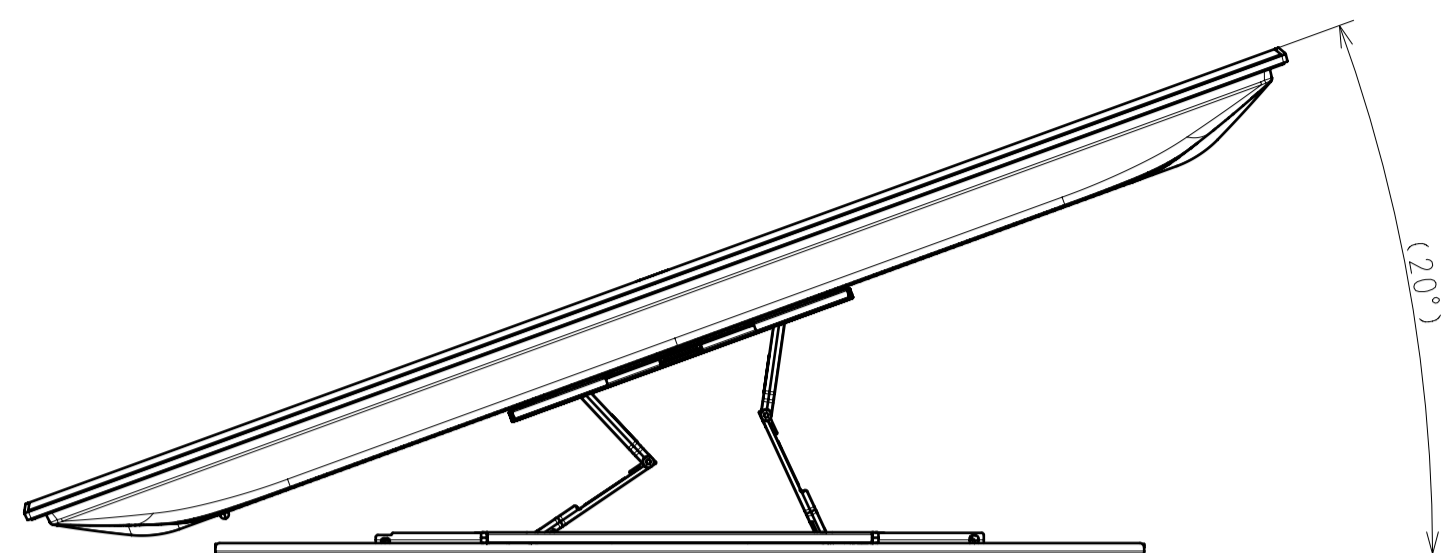
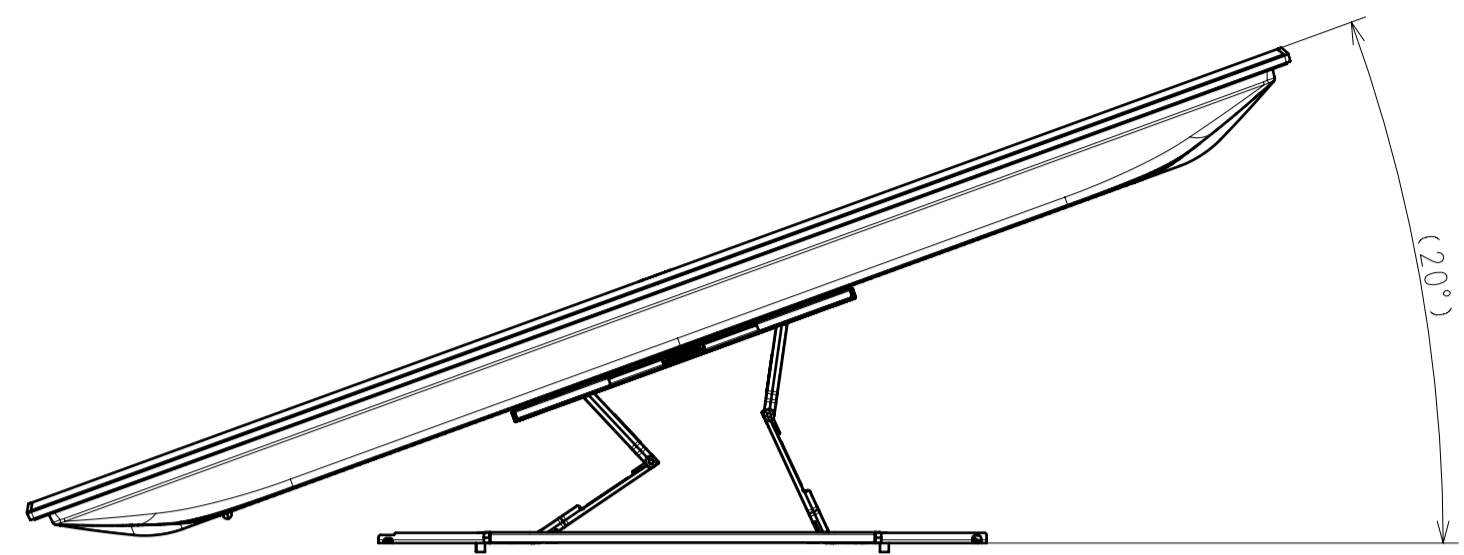
SLIM



DESCRIPTION 1	LEGAL OWNER	SCALE
55(X80J) EXTERIOR VIEW	Sony Corporation	1:5
DESCRIPTION 2	PART NO.	SHEET/PAGES
55(X80J) EXTERIOR VIEW		4 / 5

SU-WL 850

SU-WL 855 WITH LATERAL SHAFT BRACKET



DESCRIPTION 1	LEGAL OWNER	SCALE
55(X80J) EXTERIOR VIEW	Sony Corporation	1:7
DESCRIPTION 2	PART NO.	SHEET/PAGES
55(X80J) EXTERIOR VIEW		5 / 5