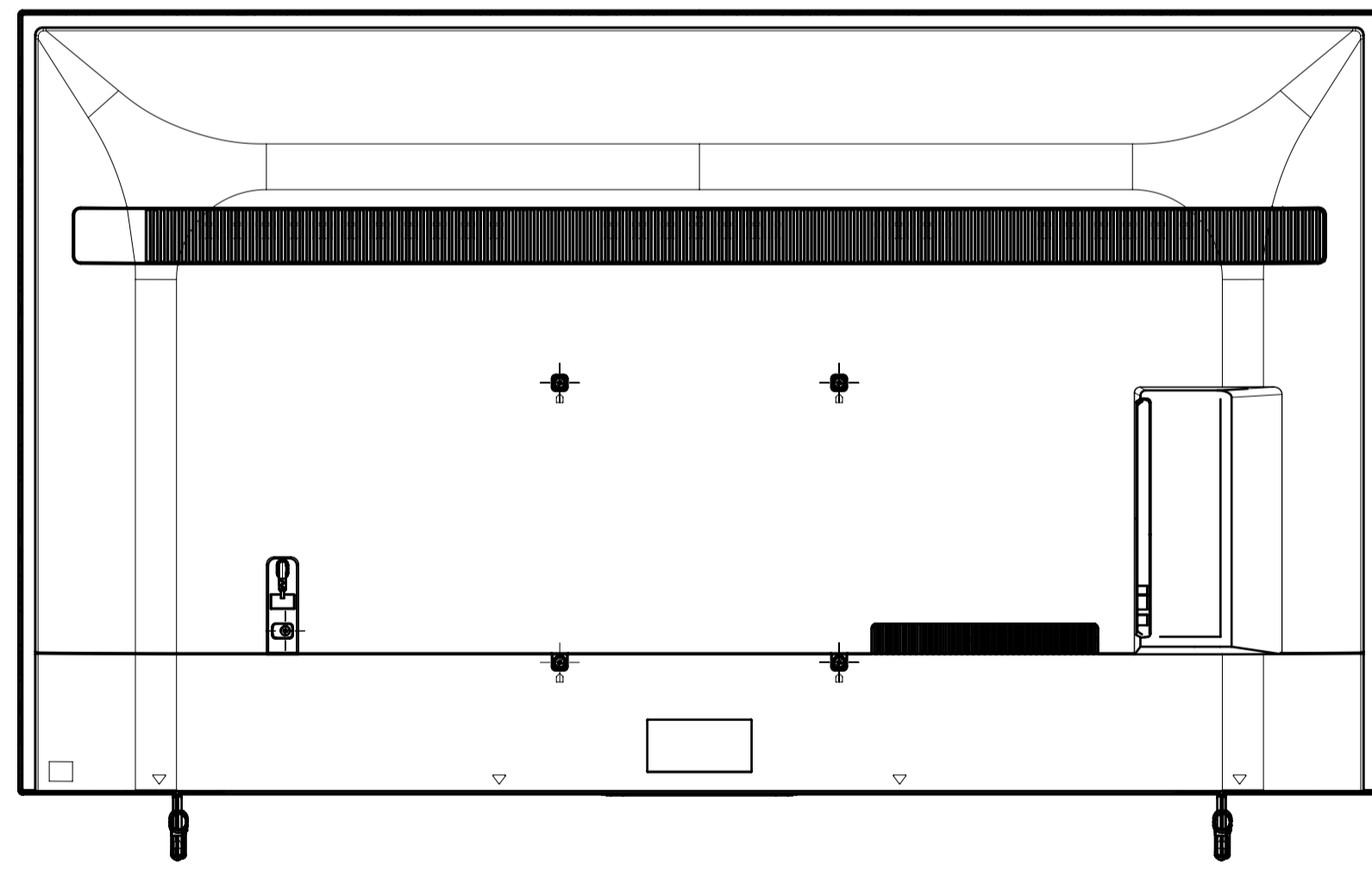
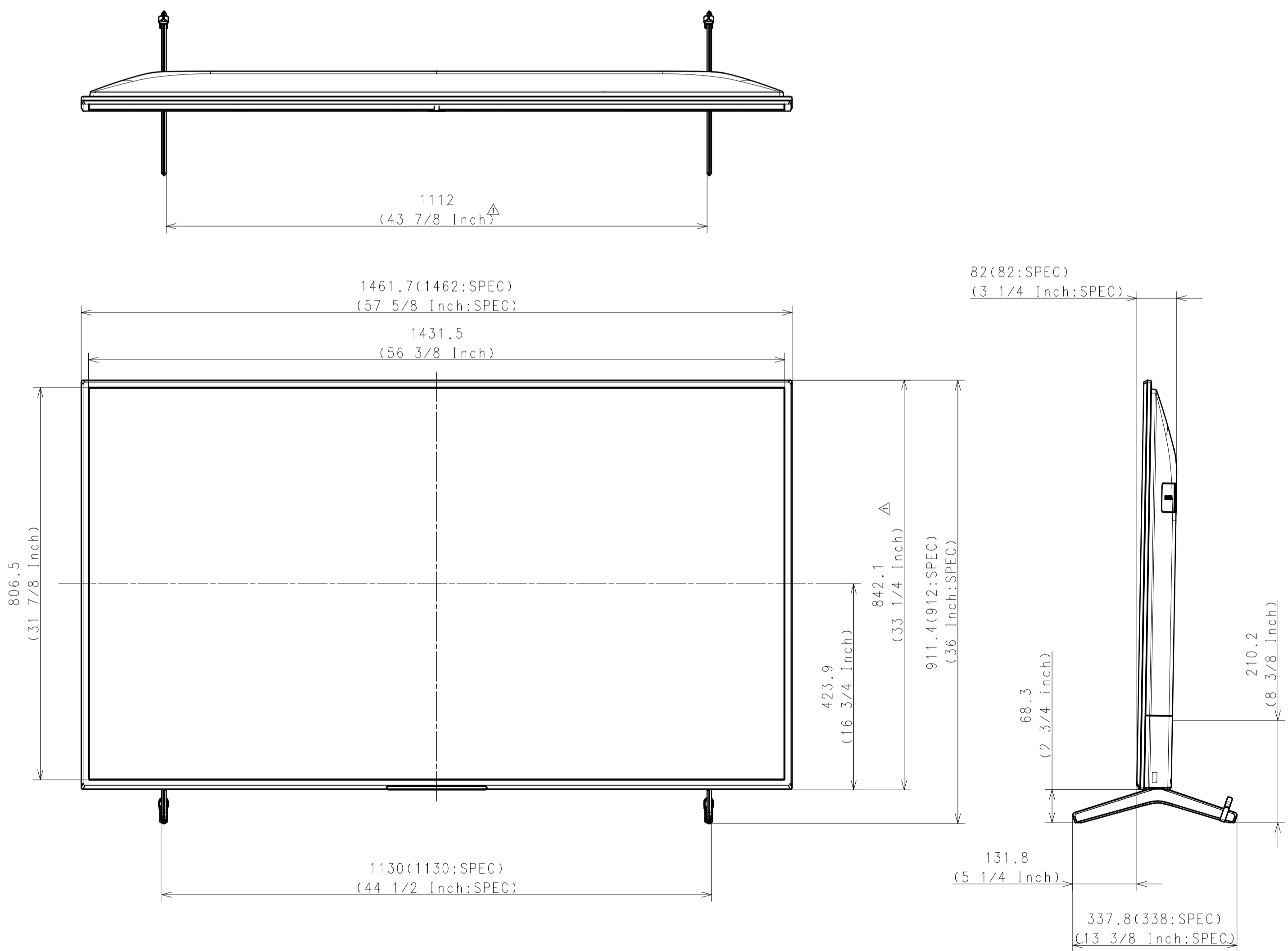


Area	JAPAN	NORTH AMERICA	LATIN AMERICA	EUROPE	EUROPE 2	EUROPE DERIVATIVE 1	GENERAL AREA	CHINA
Model Name	KJ-65X80J	KD-65X80J	KD-65X80J	KD-65X80J	KD-65X81J	KD-65X82J	KD-65X80J	KD-65X80J
SV No.	SV-39146	SV-39004	SV-39021	SV-39116	SV-39117	SV-39112	SV-39037	SV-39092
DIMENSION	TV only (W x H x D)	146.2 x 84.2 x 7.1 cm	1462 x 842 x 71 mm / 57 5/8 x 33 1/4 x 2 7/8 inch	1462 x 842 x 71 mm	Approx. 146.2 x 84.2 x 7.1 cm	Approx. 146.2 x 84.2 x 7.1 cm	Approx. 146.2 x 84.2 x 7.1 cm	Approx. 146.2 x 84.2 x 7.1 cm
	TV with Stand (Standard position) (W x H x D)	146.2 x 91.2 x 33.8 cm	1462 x 912 x 338 mm / 57 5/8 x 36 x 13 3/8 inch	1462 x 912 x 338 mm	Approx. 146.2 x 91.2 x 33.8 cm	Approx. 146.2 x 91.2 x 33.8 cm	Approx. 146.2 x 91.1 x 32.4 cm	Approx. 146.2 x 912 x 338 mm
	TV with Stand (Narrow position) (W x H x D)	-	-	-	Approx. 146.2 x 91.2 x 33.8 cm	-	-	-
	TV with Stand (Soundbar position) (W x H x D)	-	-	-	-	-	-	-
	TV with Floor Stand (W x H x D)	-	-	-	-	-	-	-
	Stand Width (Standard position)	113.0 cm	1130 mm / 44 1/2 inch	1130 mm	Approx. 113.0 cm	Approx. 113.0 cm	Approx. 51.5 cm	Approx. 1130 mm
	Stand Width (Narrow position)	-	-	-	Approx. 47.8 cm	-	-	-
	Stand Width (Soundbar position)	-	-	-	-	-	-	-
	Floor Stand Width	-	-	-	-	-	-	-
WEIGHT	VESA Hole Pitch	30.0 x 30.0 cm	300 x 300 mm / 11 7/8 x 11 7/8 inch	300 x 300 mm	30.0 x 30.0 cm	30.0 x 30.0 cm	30.0 x 30.0 cm	300 x 300 mm
	TV Only	21.6 kg	21.6 kg / 47.6 lb	21.6 kg	Approx. 21.6 kg	Approx. 21.6 kg	Approx. 21.6 kg	Approx. 21.6 kg
	TV with Stand (Standard position)	22.5 kg	22.5 kg / 49.6 lb	22.5 kg	Approx. 22.5 kg	Approx. 22.5 kg	Approx. 25.4 kg	Approx. 22.5 kg
	TV with Stand (Narrow position)	-	-	-	Approx. 22.5 kg	-	-	-
	TV with Stand (Soundbar position)	-	-	-	-	-	-	-
	TV with Floor Stand	-	-	-	-	-	-	-
	Floor Stand weight (Supply)	-	-	-	-	-	-	-
W-M't Br. Weight (Supply)	-	-	-	-	-	-	-	
Remarks	-	-	-	2way	-	Center stand	-	-

WITH STAND

STANDARD POSITION  
△ Except KD-65X82J (EUROPE DERIVATIVE)



Purchase recycled resins and wire rods only from the business partners that Sony approves as Green Partners.  
注: 樹脂・銅線材はリサイクル材を使用するものとします。

REV.	DATE	DESCRIPTION	BY	CHK.	DATE	REVISION	SIGN.
△ 2	2020.11.25	CORRECT INFORMATION (Ver5)	R. Nemoto				
△ 7	2020.11.19	CORRECT INFORMATION (Ver4)	R. Nemoto				
△ 5	2020.11.11	CORRECT INFORMATION (Ver3)	R. Nemoto				
△ 19	2020.10.30	CORRECT INFORMATION (Ver2)	R. Nemoto				

RESPONSIBLE DEPARTMENT	ORIGINAL MODEL	DESCRIPTION
PLANE & MECHANICAL DESIGN	65(X80J)	65(X80J) EXTERIOR VIEW
DRAWN BY	CHECKED BY	APPROVED BY
2020.09.23	Asakura, Seishoh	
SCALE	TENTATIVE MODEL	DESCRIPTION
1:7	65(X80J) EXTERIOR VIEW	
SIZE	UNIT	PAGE NO.
A1	mm	1 / 5
DATE	REV. NO.	SHEET/PAGES
2020.09.23		1 / 5

WITH STAND

NARROW POSITION

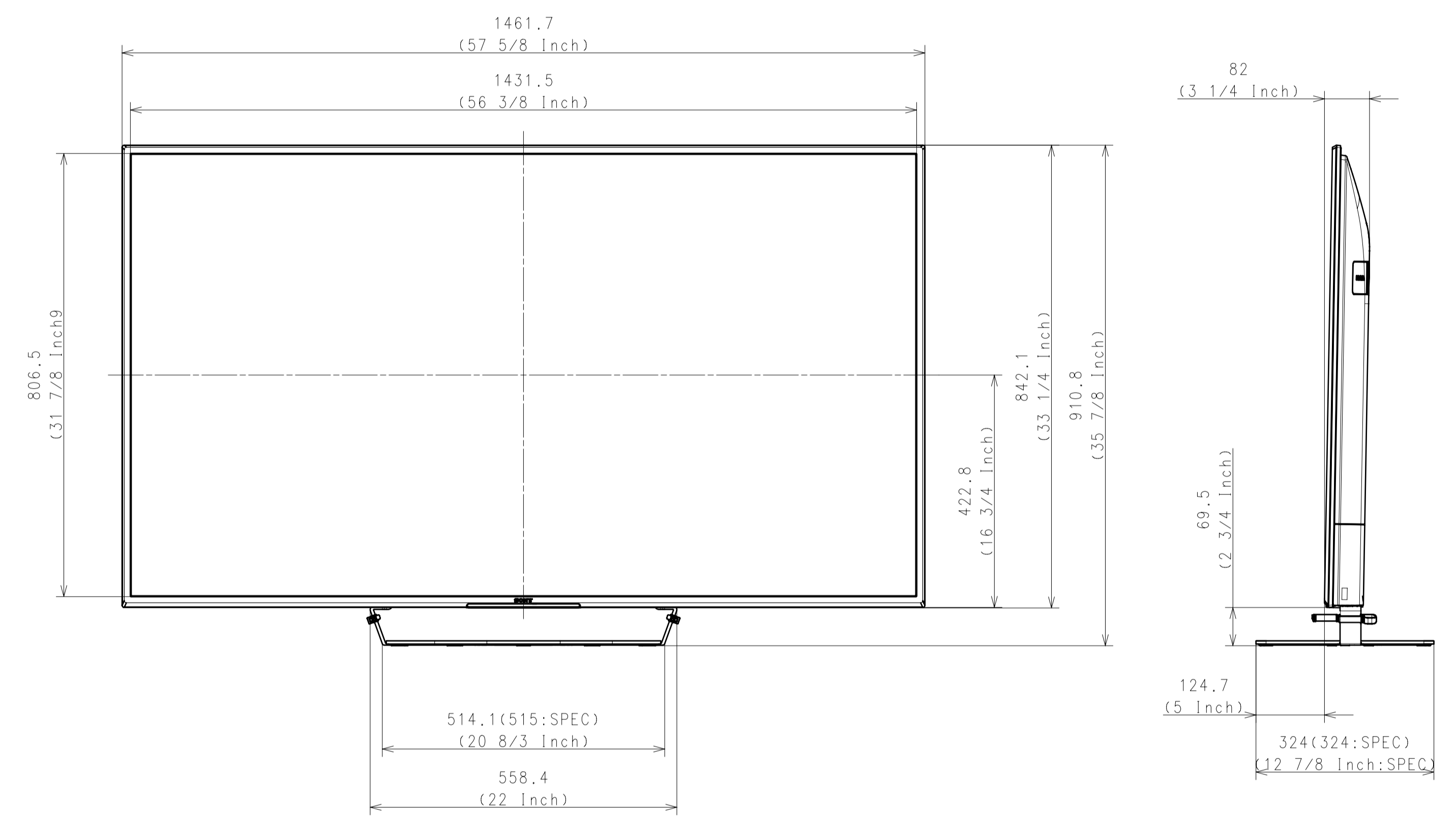
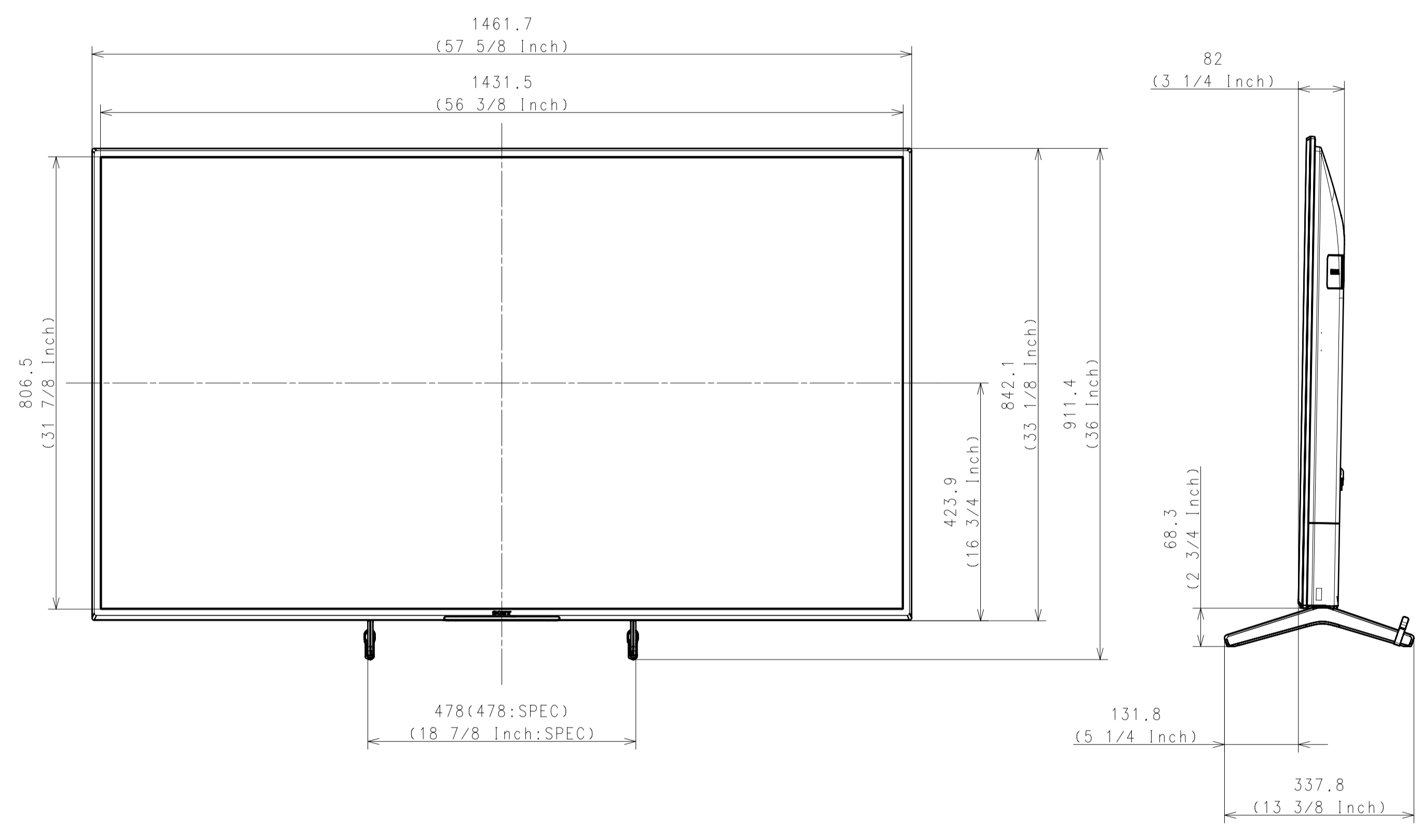
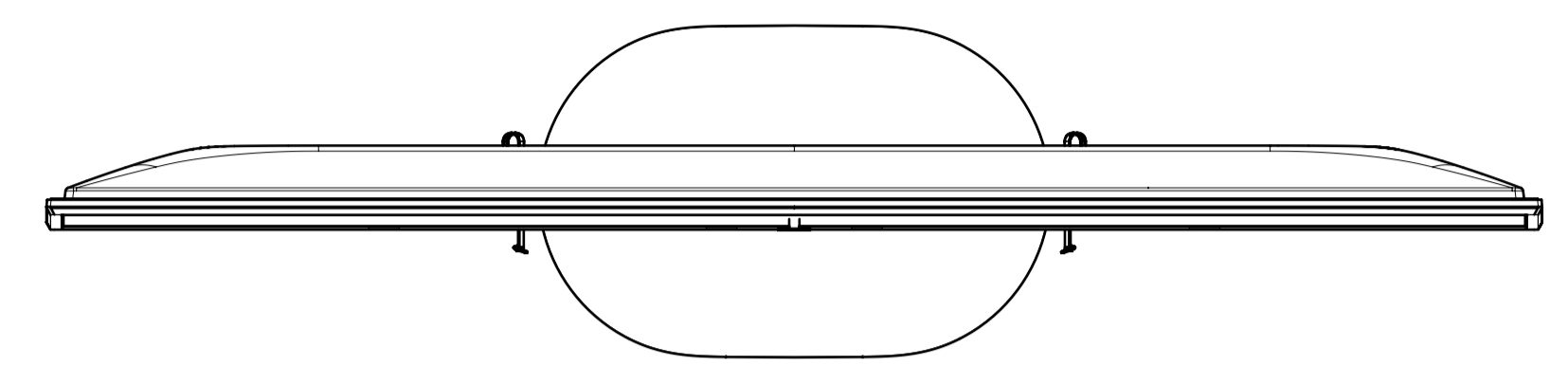
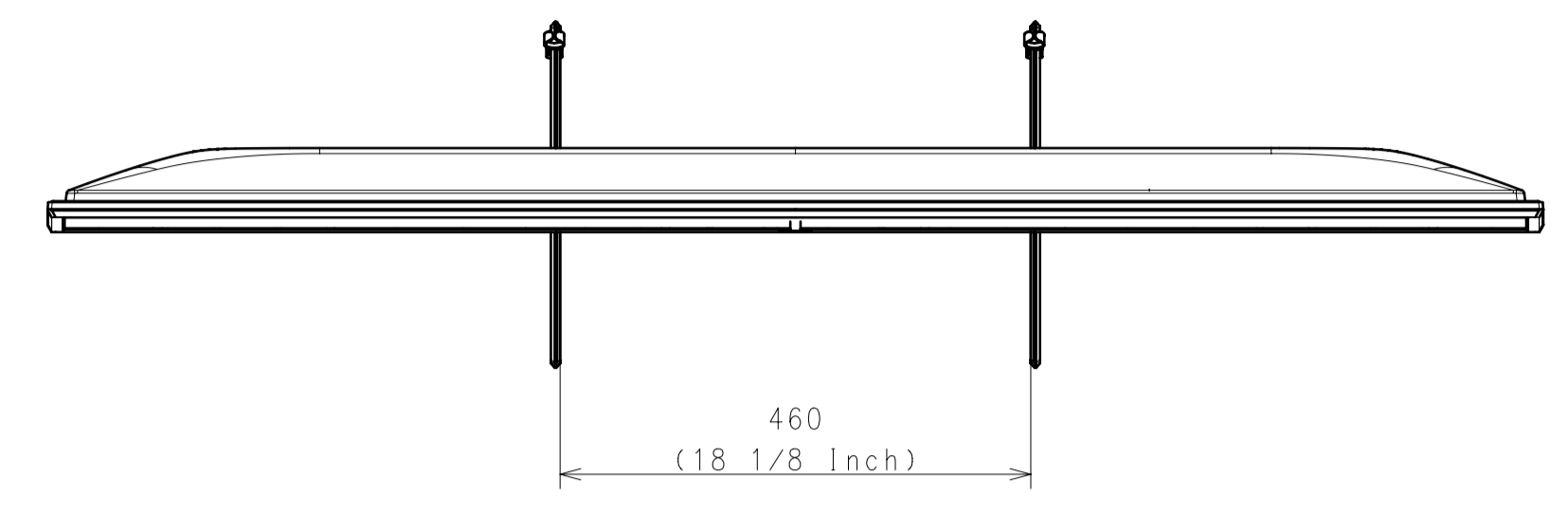
KD-65X81J

① KD-65X80J

③ (EUROPE Model only/Except EUROPE2 Model, EUROPE DERIVATIVE1)

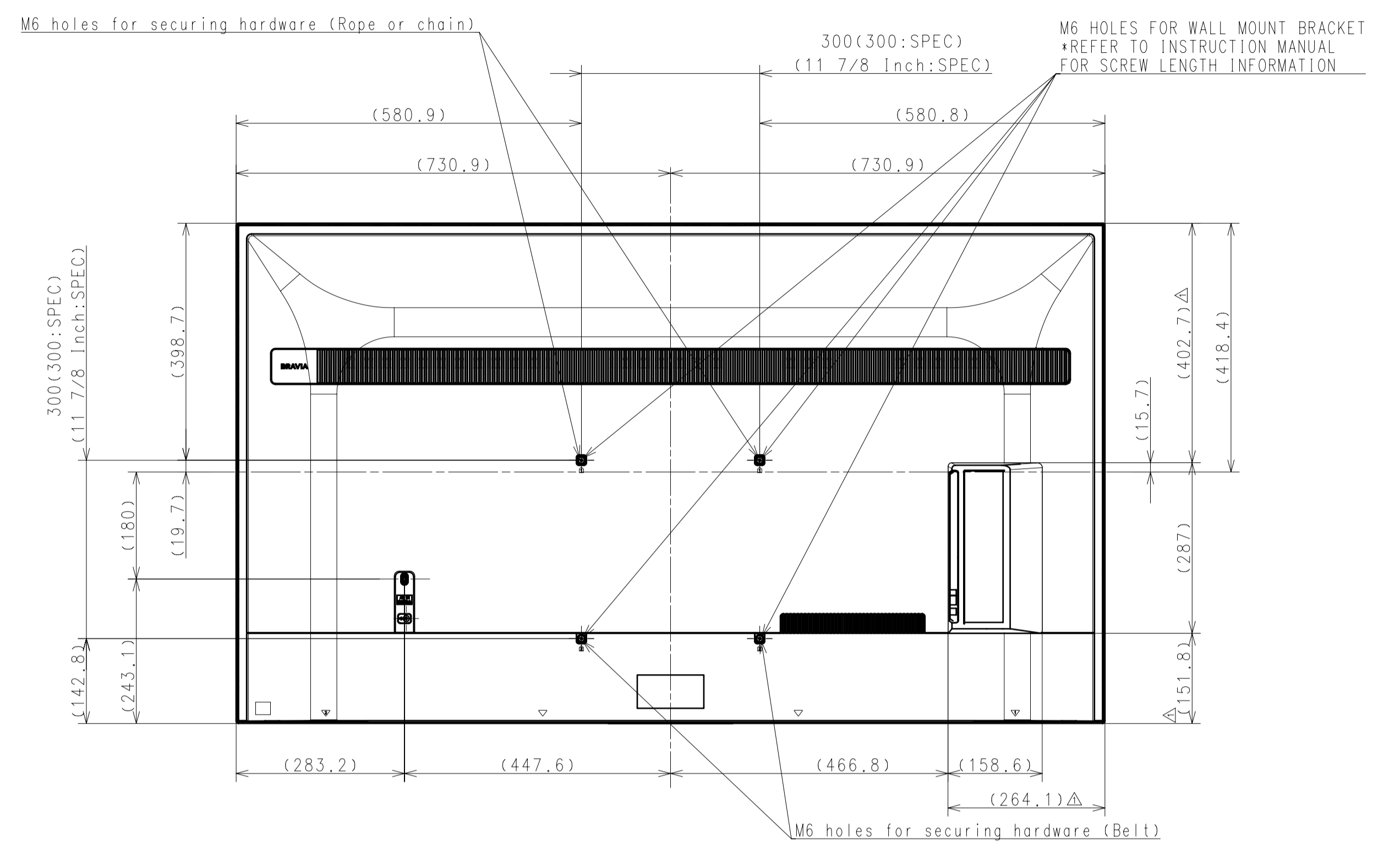
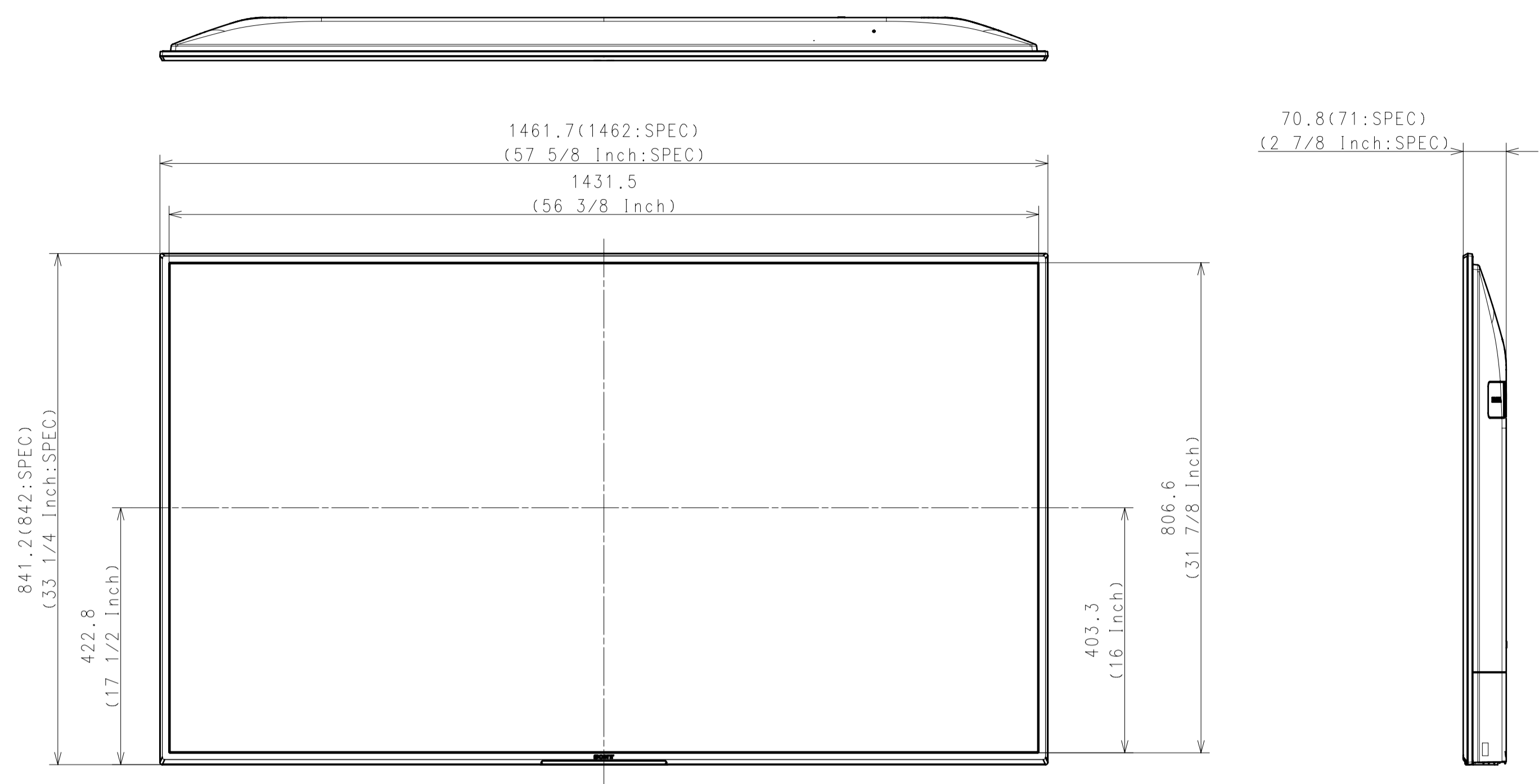
CENTER POSITION

③ KD-65X82J (EUROPE DERIVATIVE1 only)

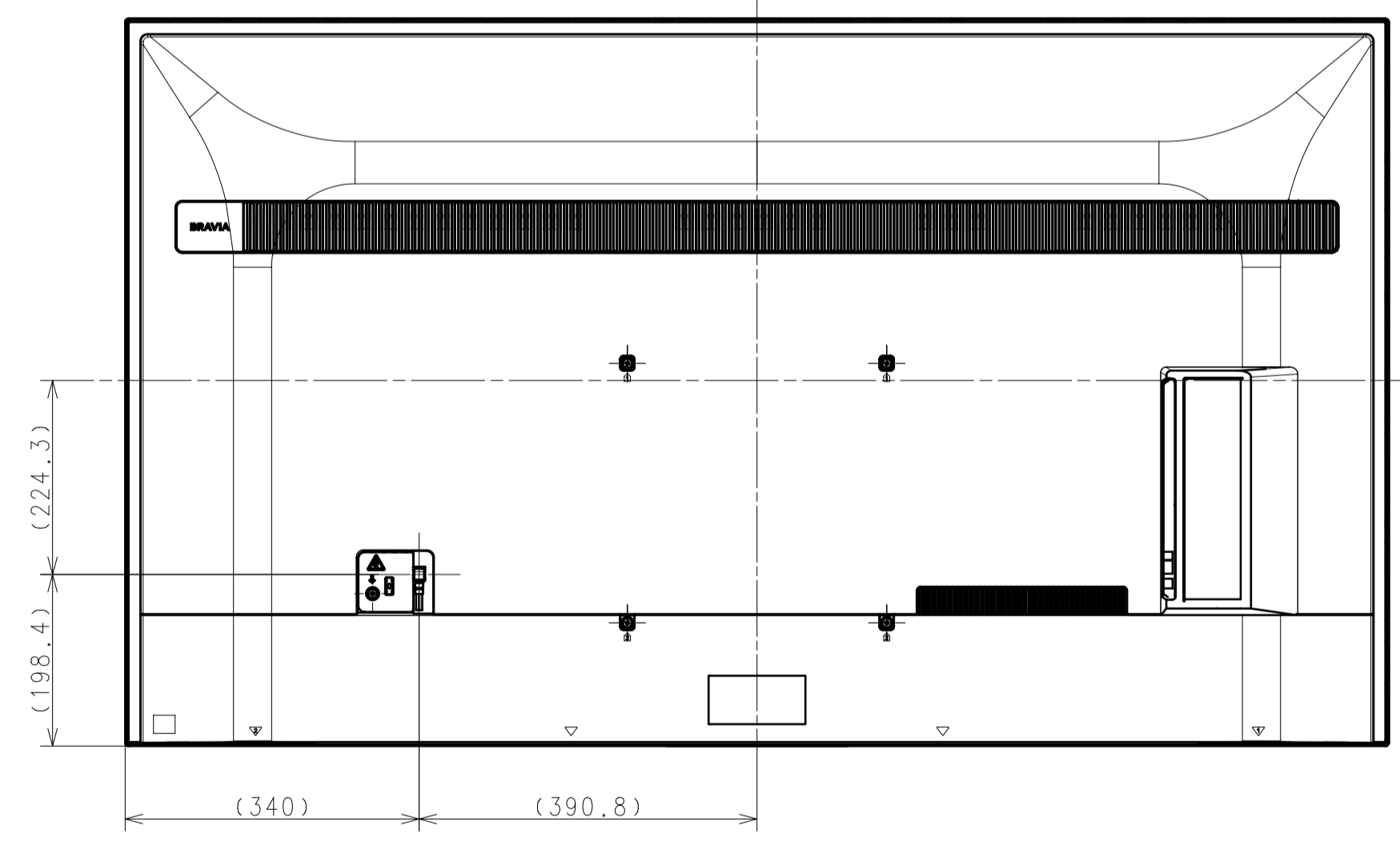


DESCRIPTION 1 65(X80J) EXTERIOR VIEW	LEGAL OWNER Sony Corporation	SCALE 1:7
DESCRIPTION 2 65(X80J) EXTERIOR VIEW	PART NO.	SHEET/PAGES 2 / 5

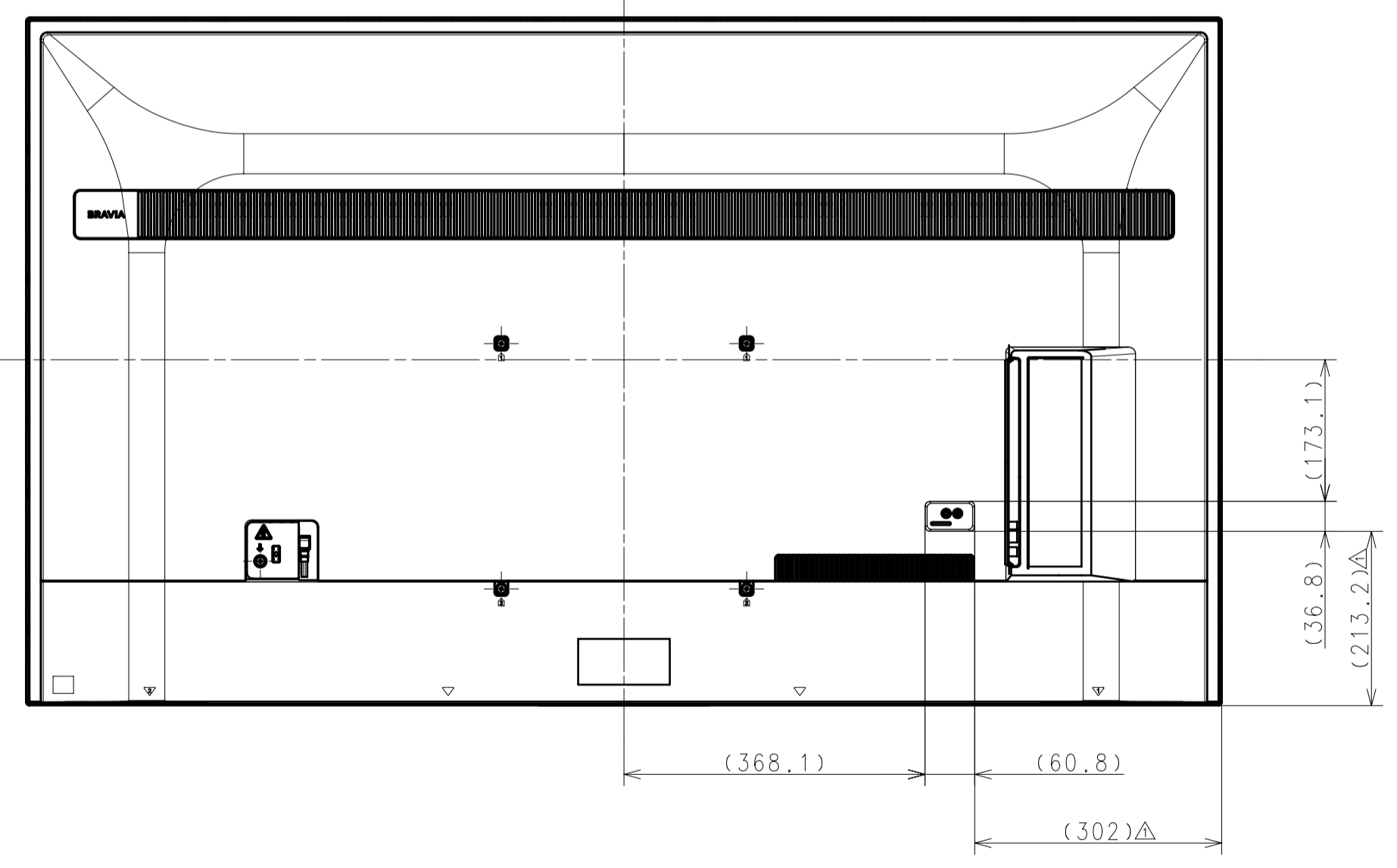
WITHOUT STAND



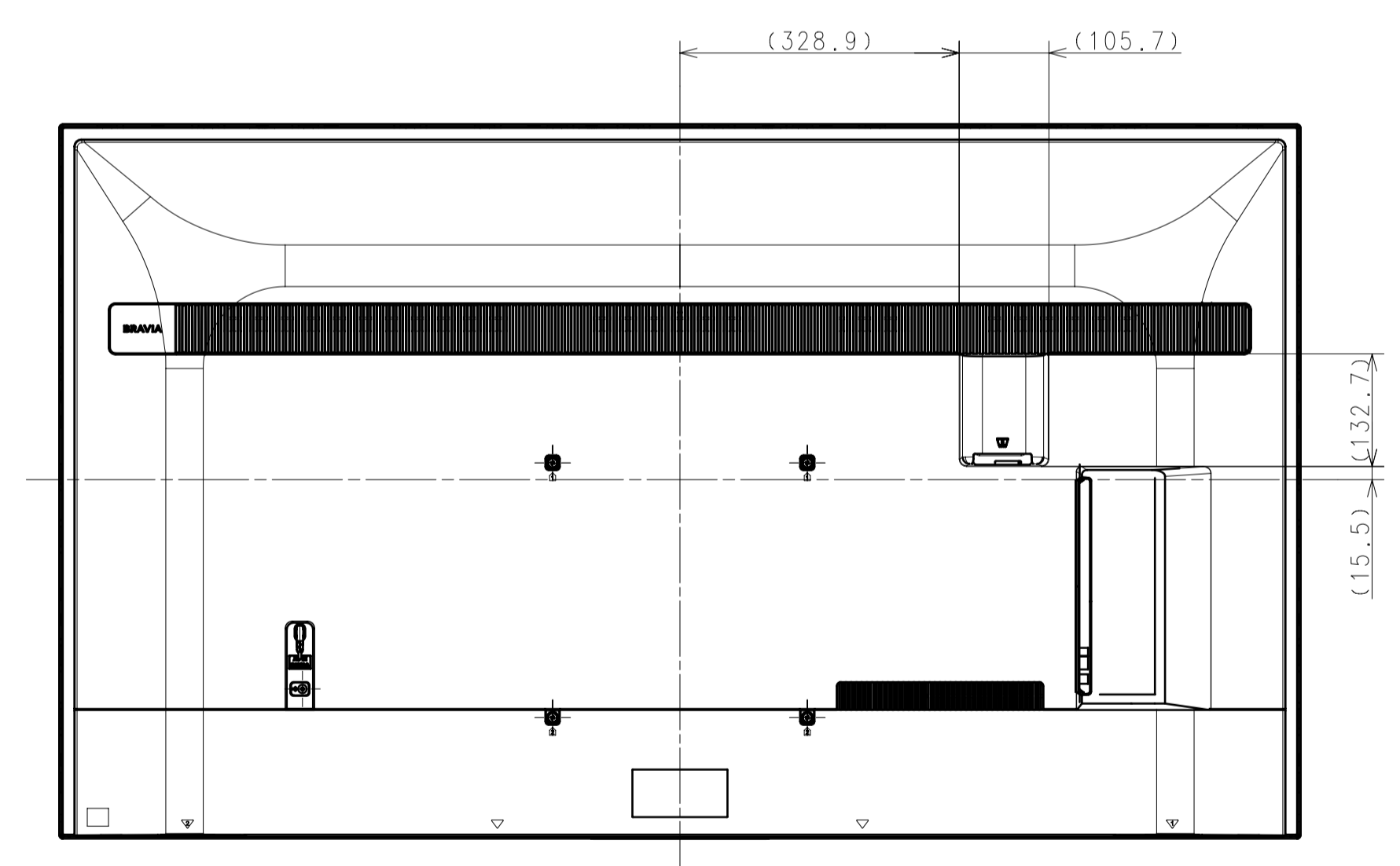
△ For. NORTH AMERICA, GENERAL AREA, CHINA



△ For. LATIN AMERICA



△ For. JAPAN



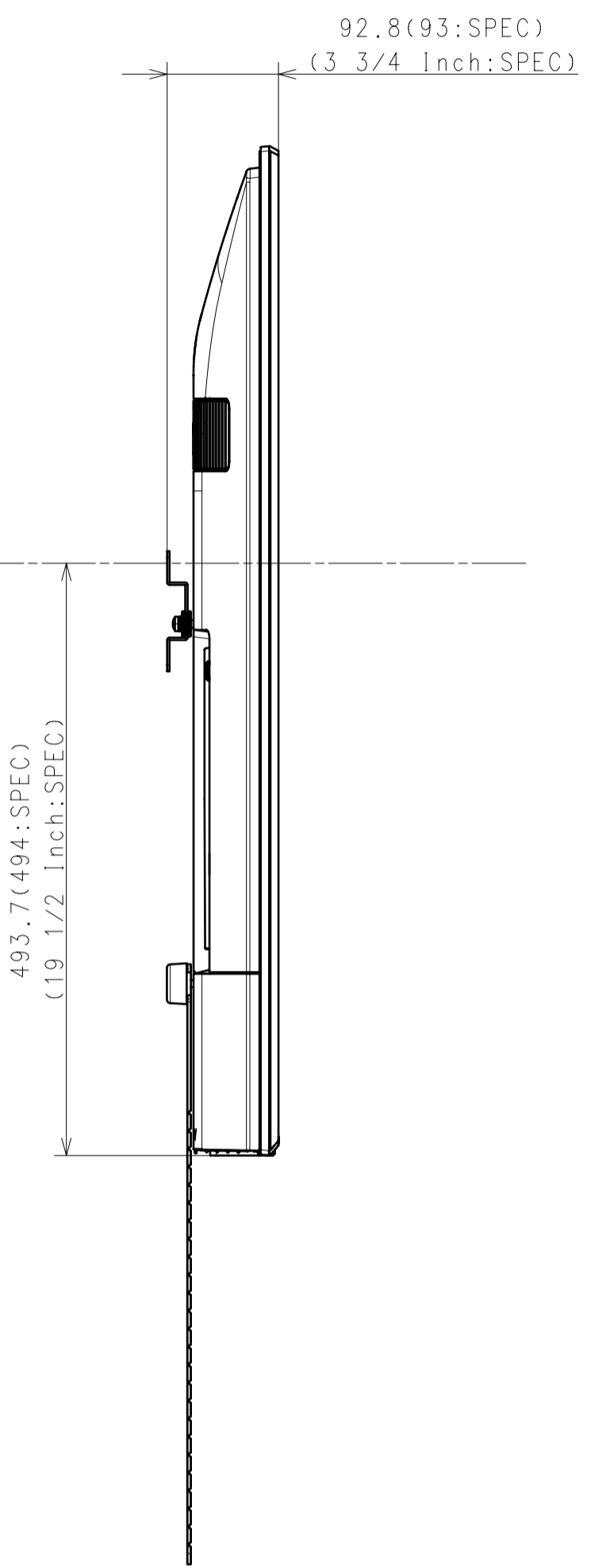
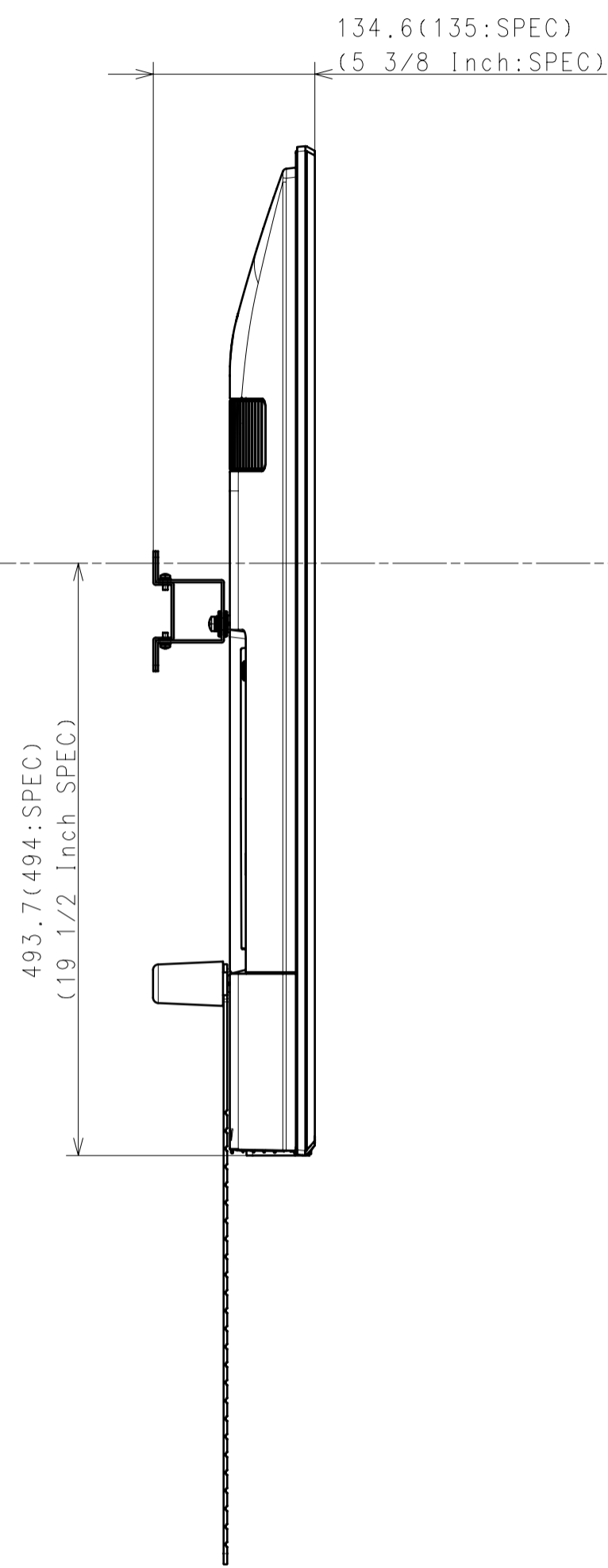
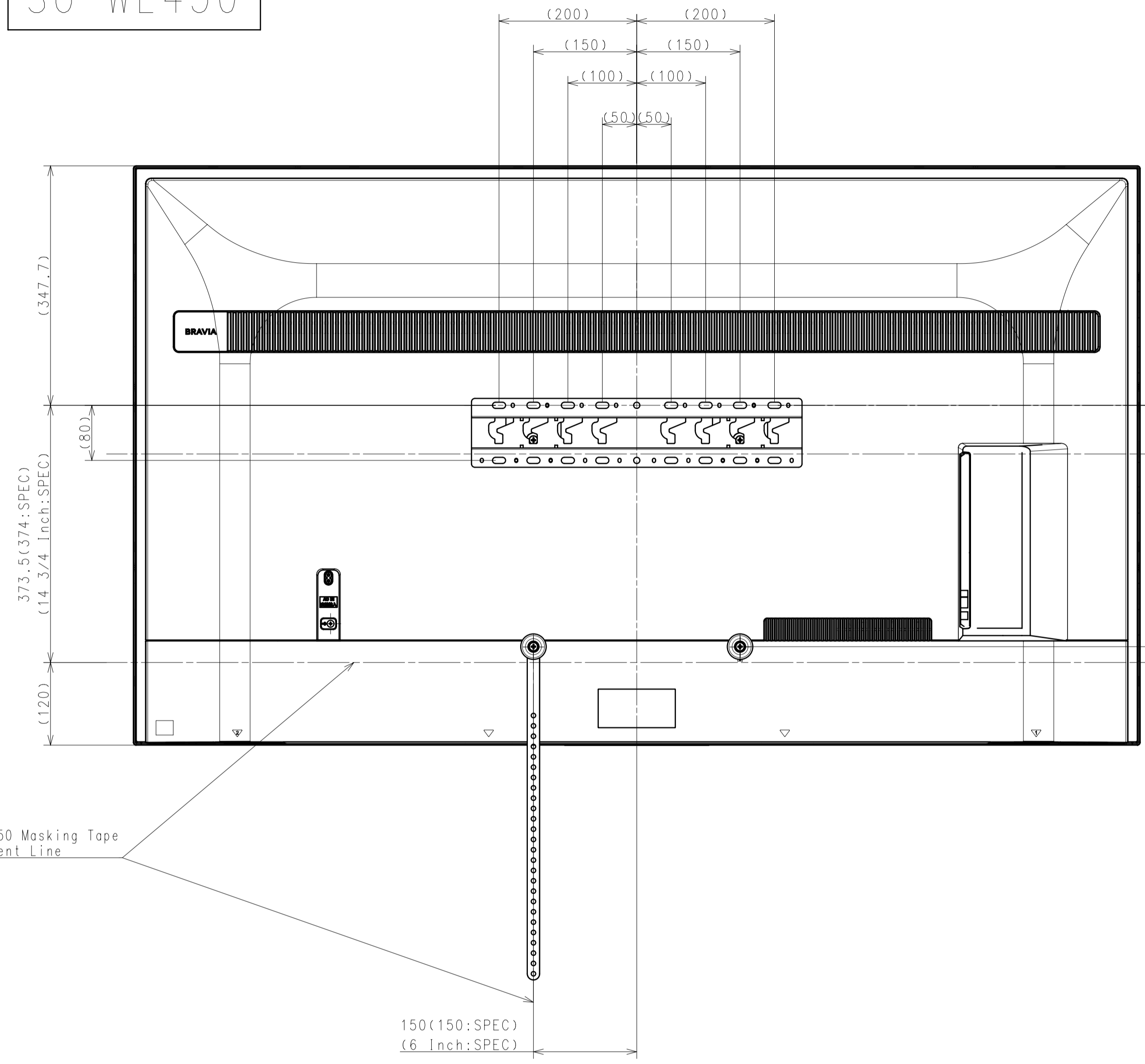
△ For. EUROPE, EUROPE2  
EUROPE DERIVATIVE1

DESCRIPTION1 65(X80J) EXTERIOR VIEW	SCALE 1:7
DESCRIPTION2 65(X80J) EXTERIOR VIEW	SCALE 3/5
LEGAL OWNER Sony Corporation	
TENTATIVE PART NO.	PART NO.

SU-WL450

STANDARD

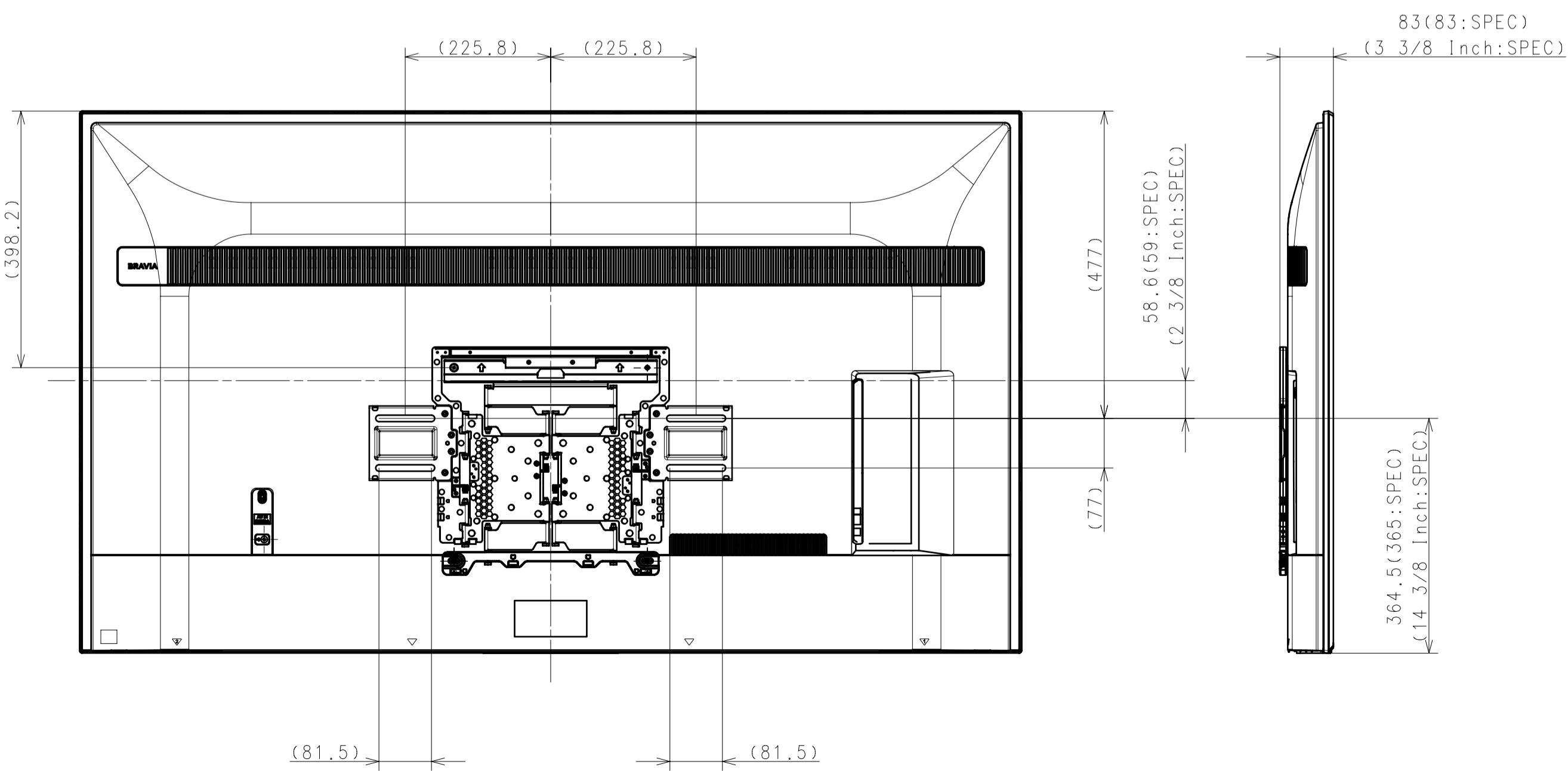
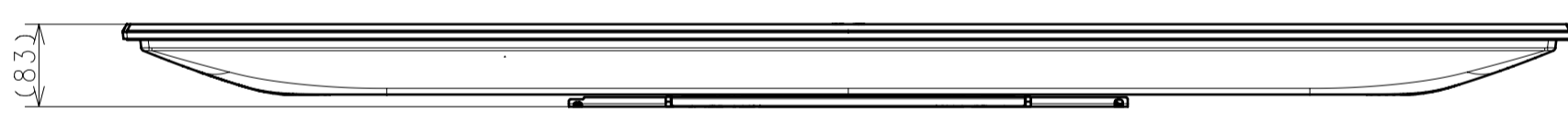
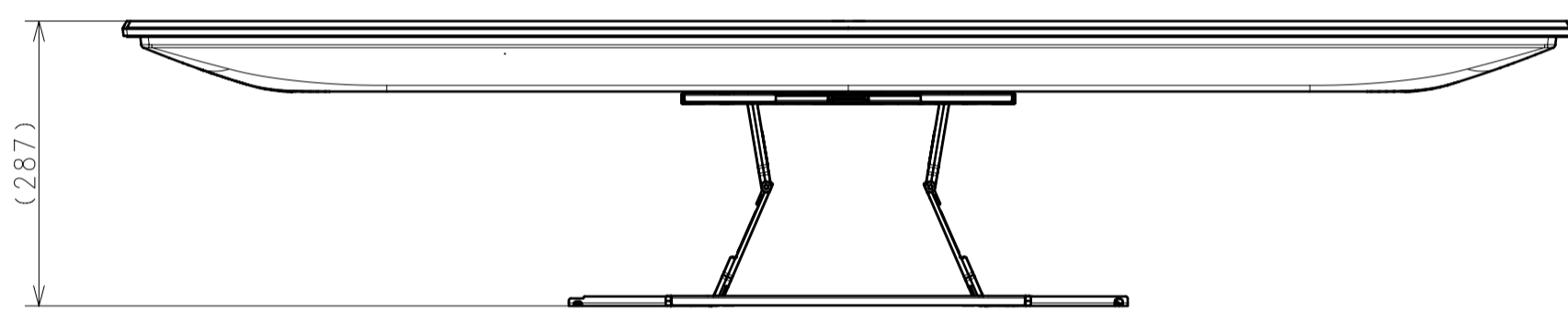
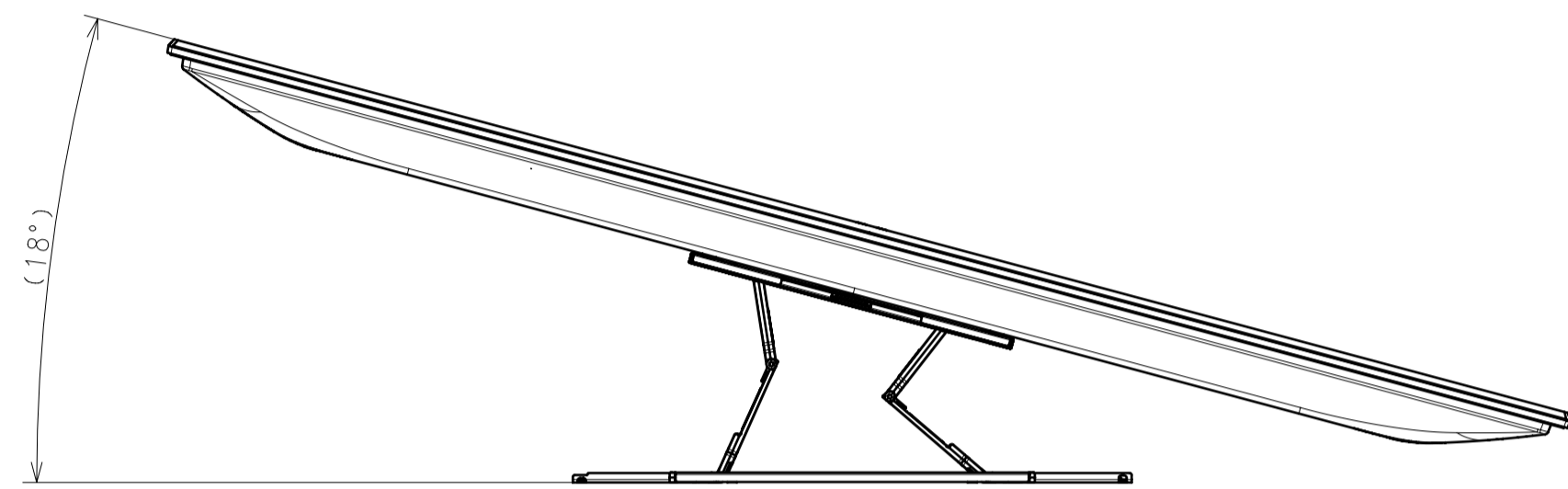
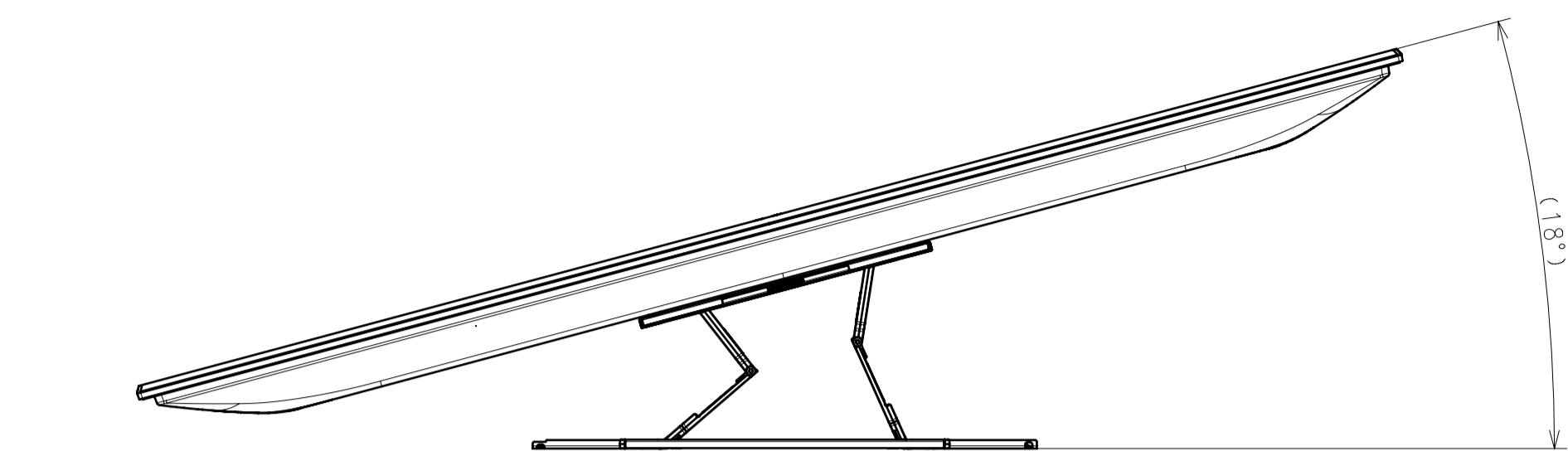
SLIM



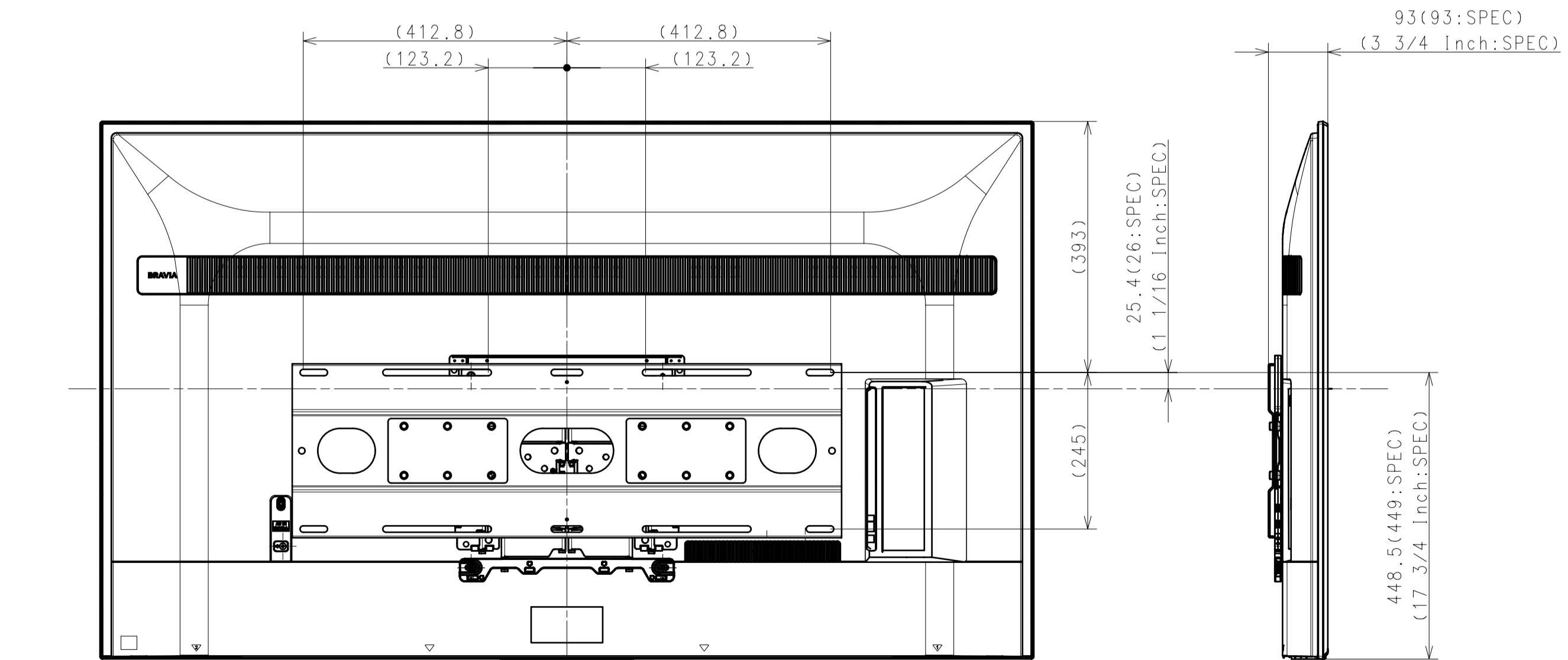
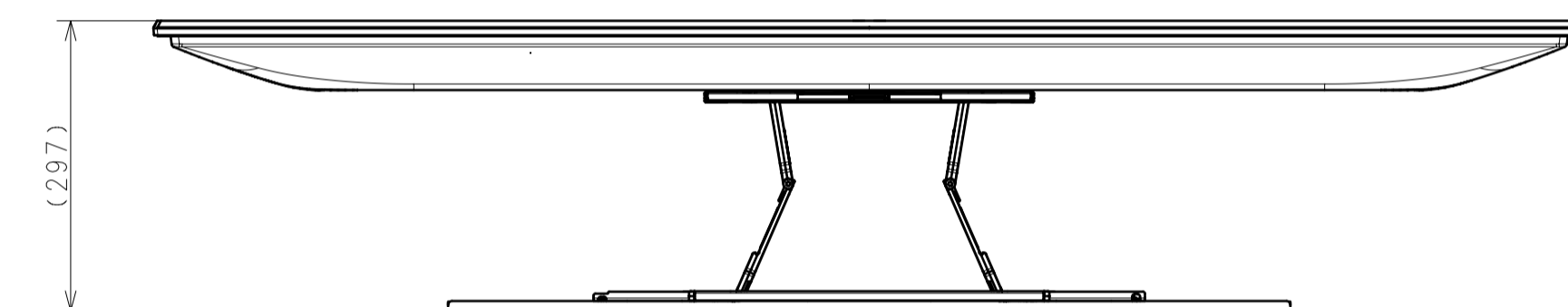
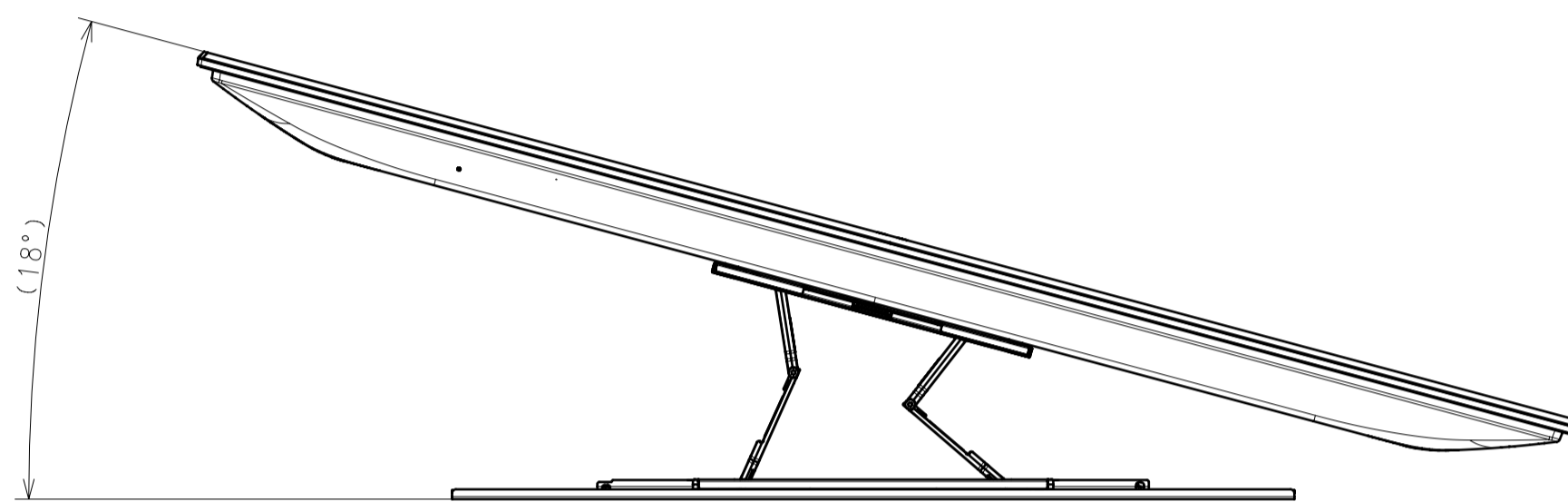
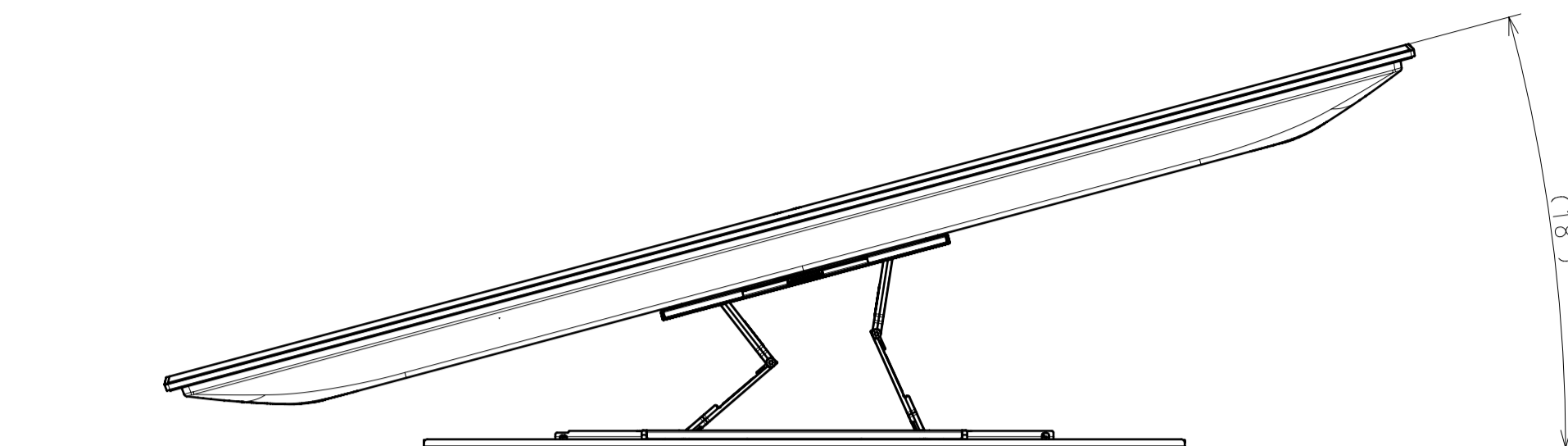
SONY STANDARD  
DRAWING

DESCRIPTION 1	LEGAL OWNER	SCALE
65(X80J) EXTERIOR VIEW	Sony Corporation	1:5
DESCRIPTION 2	PART NO.	SHEET/PAGES
65(X80J) EXTERIOR VIEW		4 / 5

SU-WL 850



SU-WL 855 WITH LATERAL SHAFT BRACKET



DESCRIPTION 1	LEGAL OWNER	SCALE
65(X80J) EXTERIOR VIEW	Sony Corporation	1:7
DESCRIPTION 2	PART NO.	SHEET/PAGES
65(X80J) EXTERIOR VIEW		5 / 5