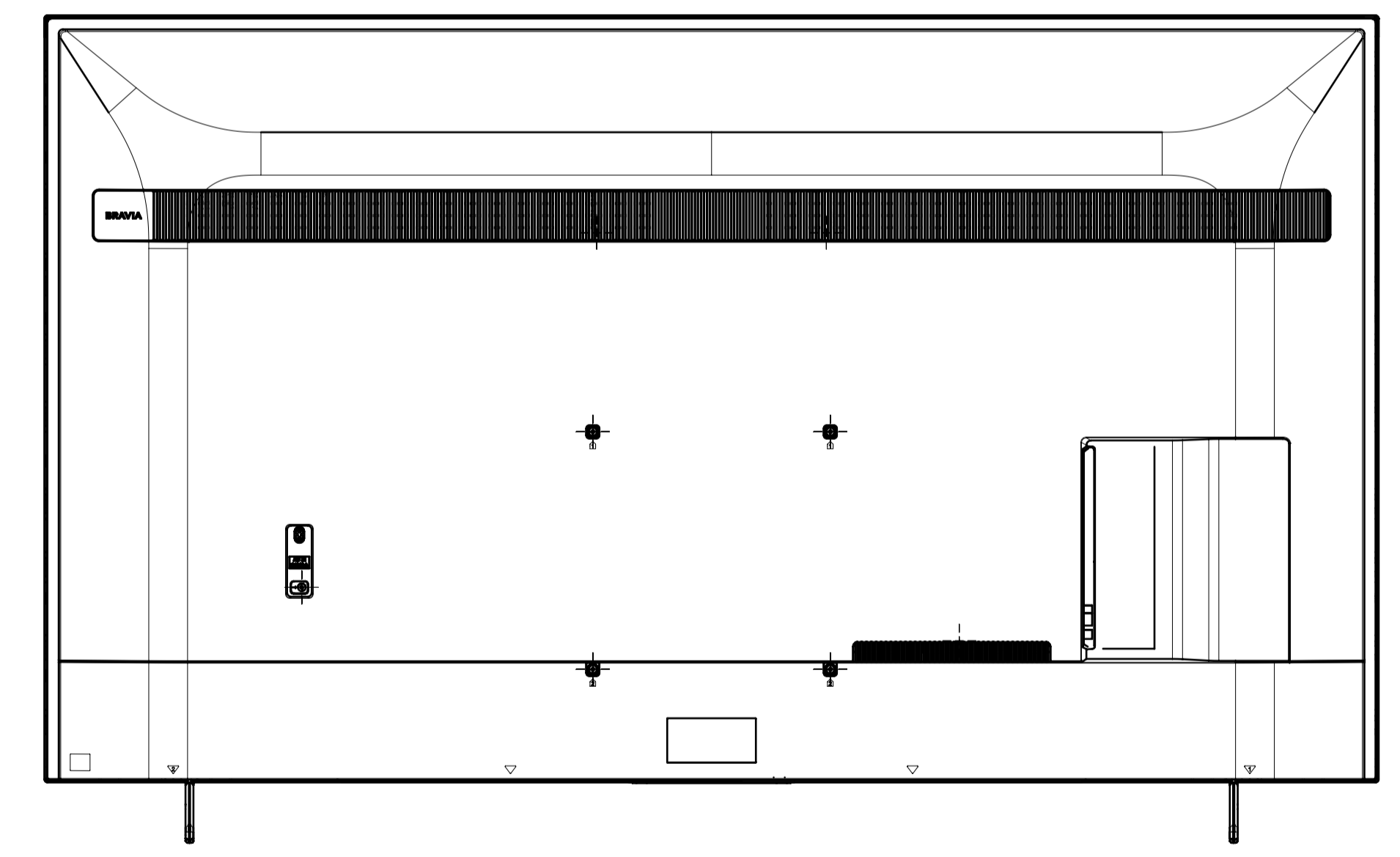
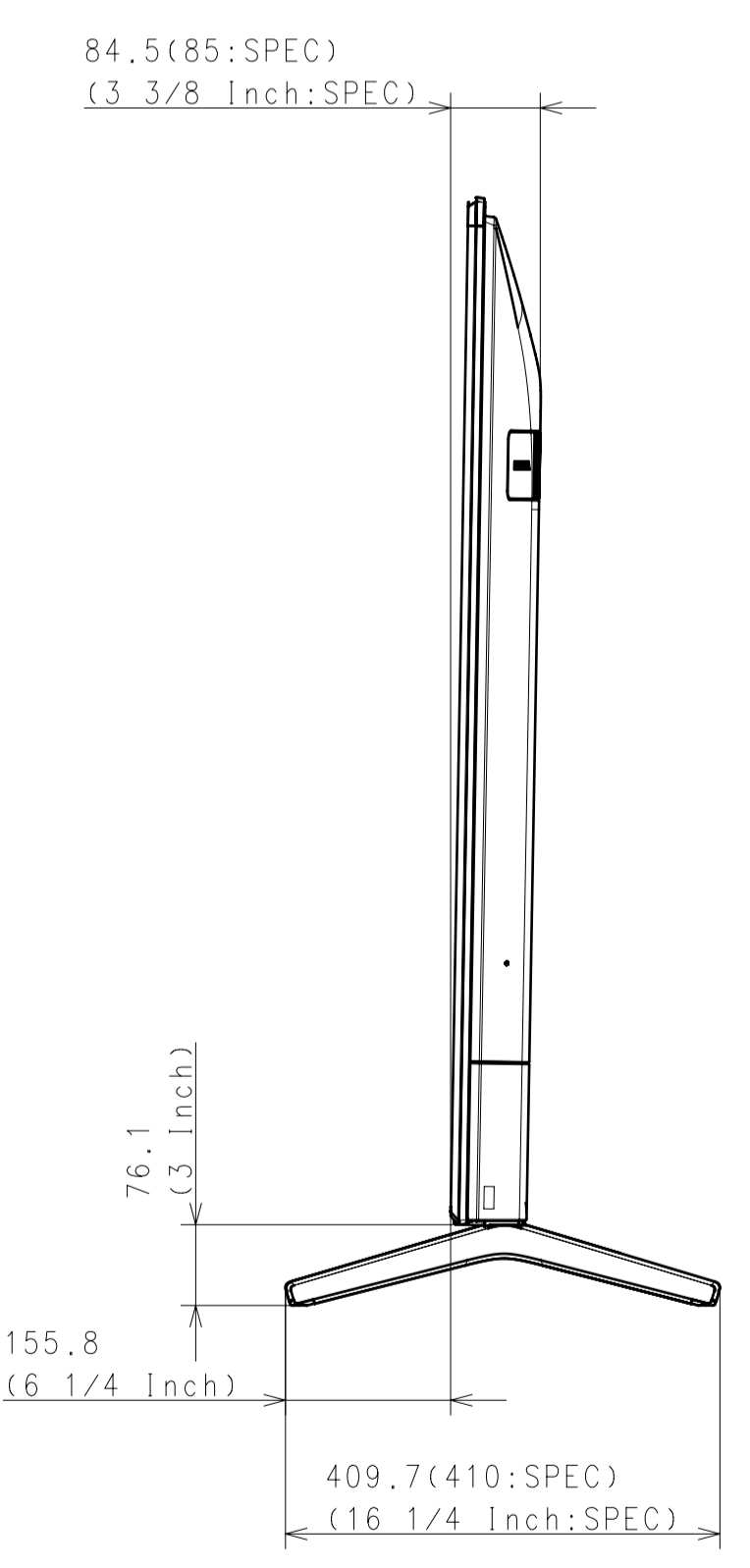
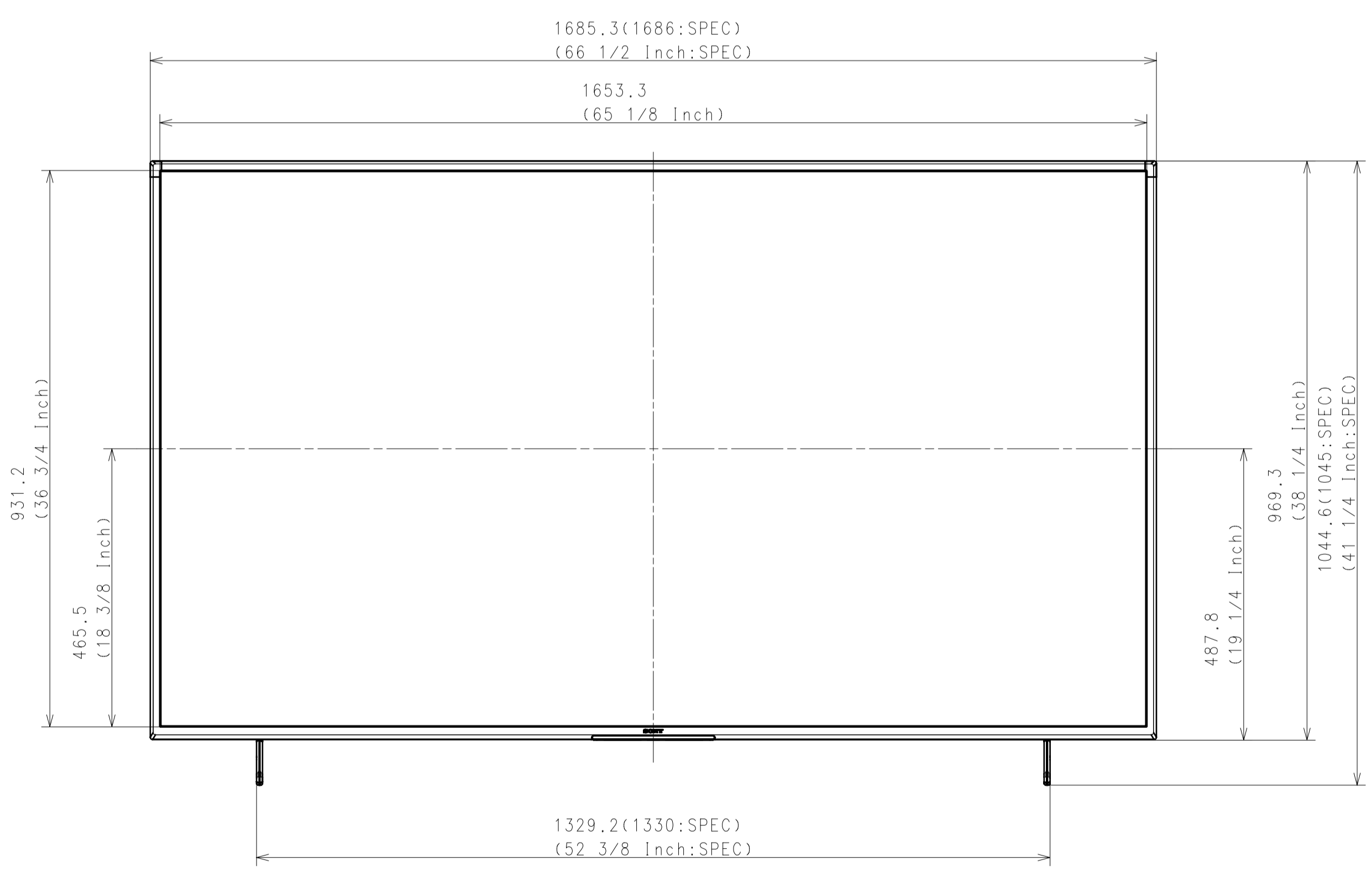
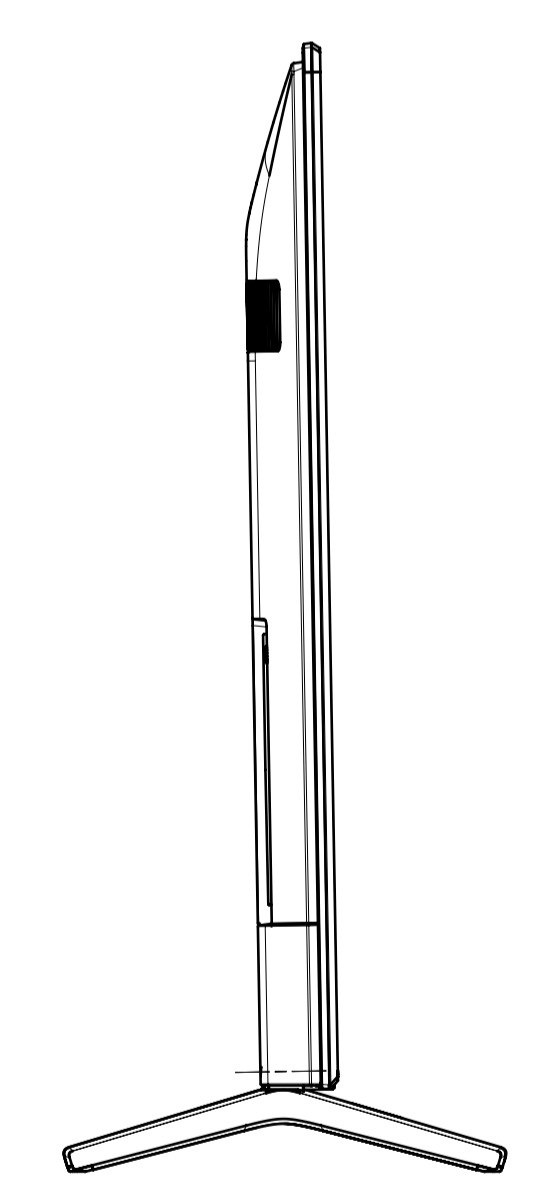
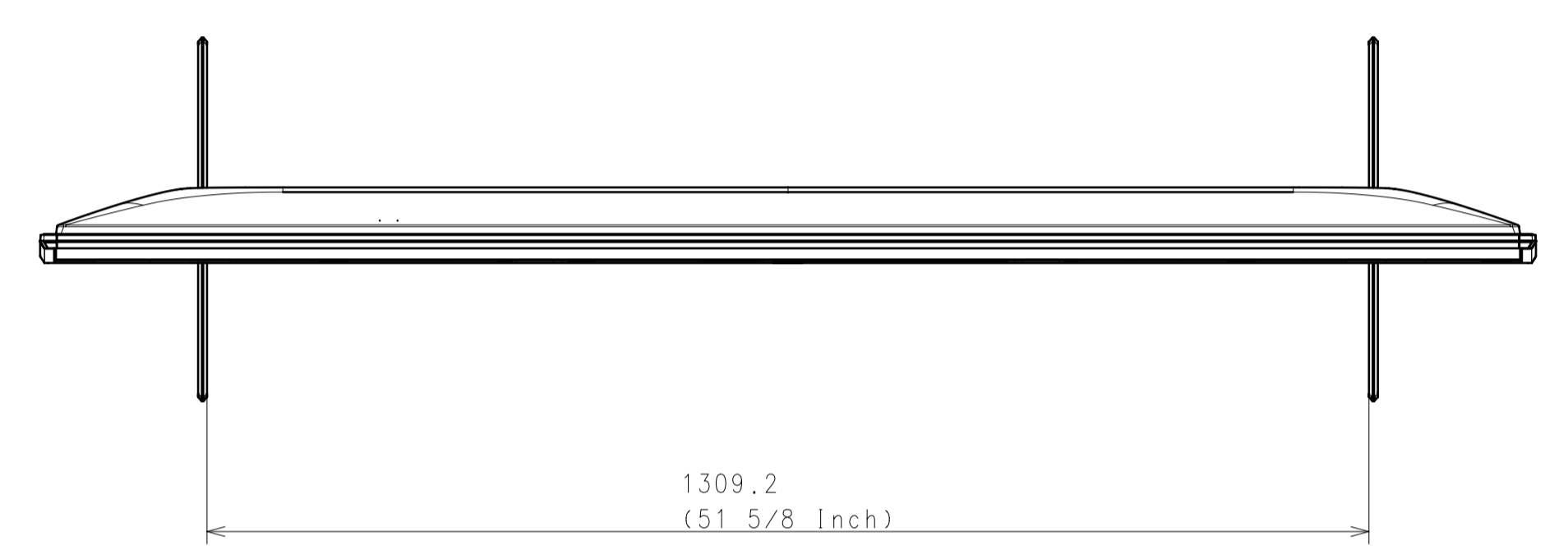


Area		NORTH AMERICA	LATIN AMERICA	EUROPE	EUROPE DERIVATIVE 1	GENERAL AREA	CHINA
Model Name		KD-75X80J	KD-75X80J △	KD-75X81J	KD-75X82J	KD-75X80J	KD-75X80J
SV No.		SV-39002	SV-39020 △	SV-39160	SV-39159	SV-39034	SV-39091
DIMENSION	TV only (W x H x D)	1686 x 969 x 72 mm / 66 1/2 x 38 1/4 x 2 7/8 inch	1686 x 969 x 72 mm	Approx. 168.6 x 96.9 x 7.2 cm	Approx. 168.6 x 96.9 x 7.2 cm	Approx. 1686 x 969 x 72 mm	Approx. 1686 x 969 x 72 mm
	TV with Stand (Standard position) (W x H x D)	1686 x 1045 x 410 mm / 66 1/2 x 41 1/4 x 16 1/4 inch	1686 x 1045 x 410 mm	Approx. 168.6 x 104.5 x 41.0 cm	Approx. 168.6 x 104.3 x 44.0 cm	Approx. 1686 x 1045 x 410 mm	Approx. 1686 x 1045 x 410 mm
	TV with Stand (Narrow position) (W x H x D)	-	-	Approx. 168.6 x 104.5 x 41.0 cm	-	-	-
	TV with Stand (Soundbar position) (W x H x D)	-	-	-	-	-	-
	TV with Floor Stand (W x H x D)	-	-	-	-	-	-
	Stand Width (Standard position)	1330 mm / 52 3/8 inch	1330 mm	Approx. 133.0 cm	Approx. 62.3 cm	Approx. 1330 mm	Approx. 1330 mm
	Stand Width (Narrow position)	-	-	Approx. 55.9 cm	-	-	-
	Stand Width (Soundbar position)	-	-	-	-	-	-
	Floor Stand Width	-	-	-	-	-	-
VESA Hole Pitch	300 x 300 mm / 11 7/8 x 11 7/8 inch	300 x 300 mm	30.0 x 30.0 cm	30.0 x 30.0 cm	300 x 300 mm	300 x 300 mm	
WEIGHT	TV Only	31.6 kg / 69.7 lb	31.6 kg	Approx. 31.6 kg	Approx. 31.6 kg	Approx. 31.6 kg	Approx. 31.6 kg
	TV with Stand (Standard position)	32.9 kg / 72.5 lb	32.9 kg	Approx. 32.9 kg	Approx. 36.5 kg	Approx. 32.9 kg	Approx. 32.9 kg
	TV with Stand (Narrow position)	-	-	Approx. 32.9 kg	-	-	-
	TV with Stand (Soundbar position)	-	-	-	-	-	-
	TV with Floor Stand	-	-	-	-	-	-
	Floor Stand weight (Supply)	-	-	-	-	-	-
	W-M't Br. Weight (Supply)	-	-	-	-	-	-
Remarks				2way	Center stand		

WITH STAND

STANDARD POSITION
Except KD-75X82J



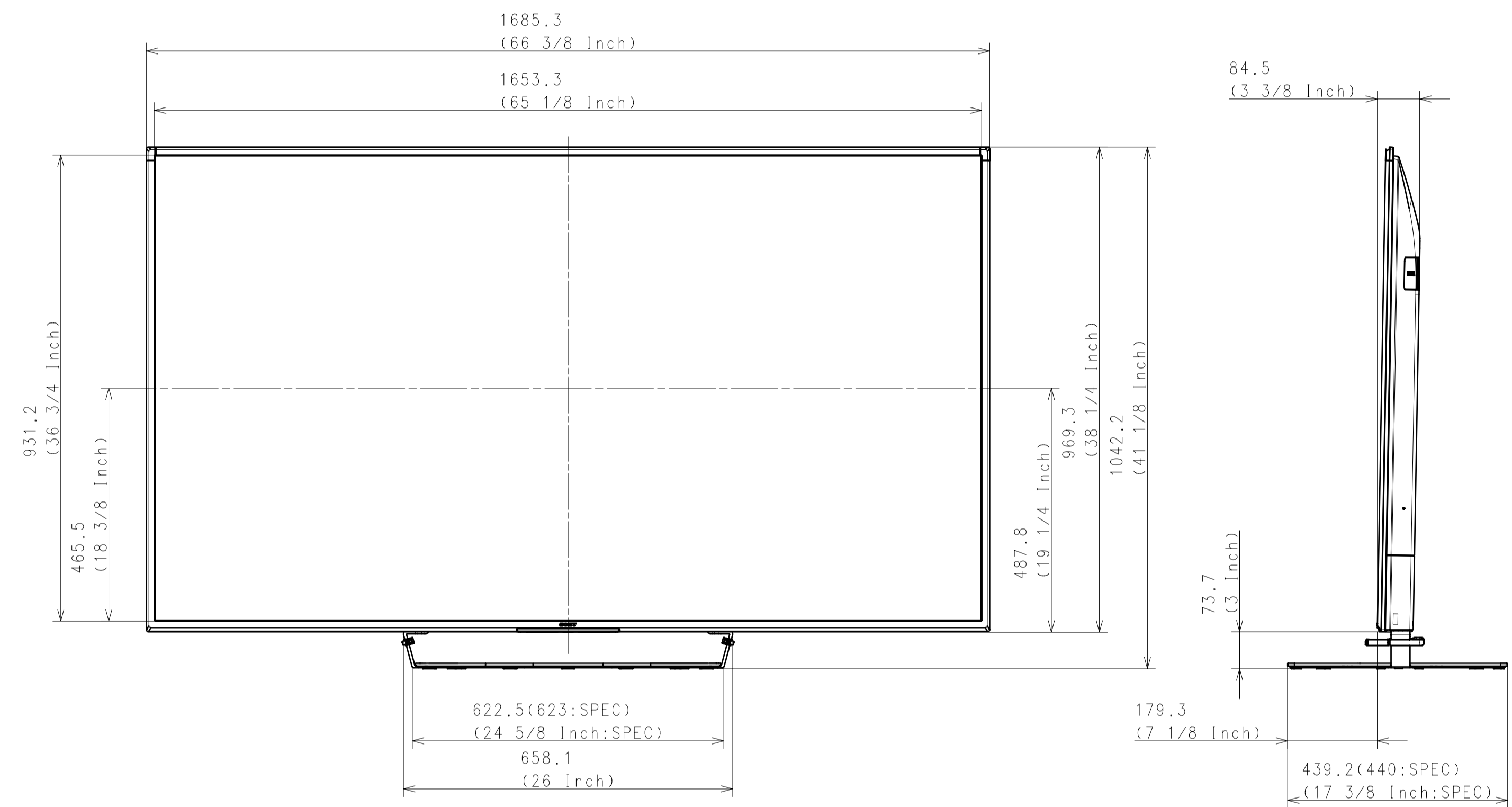
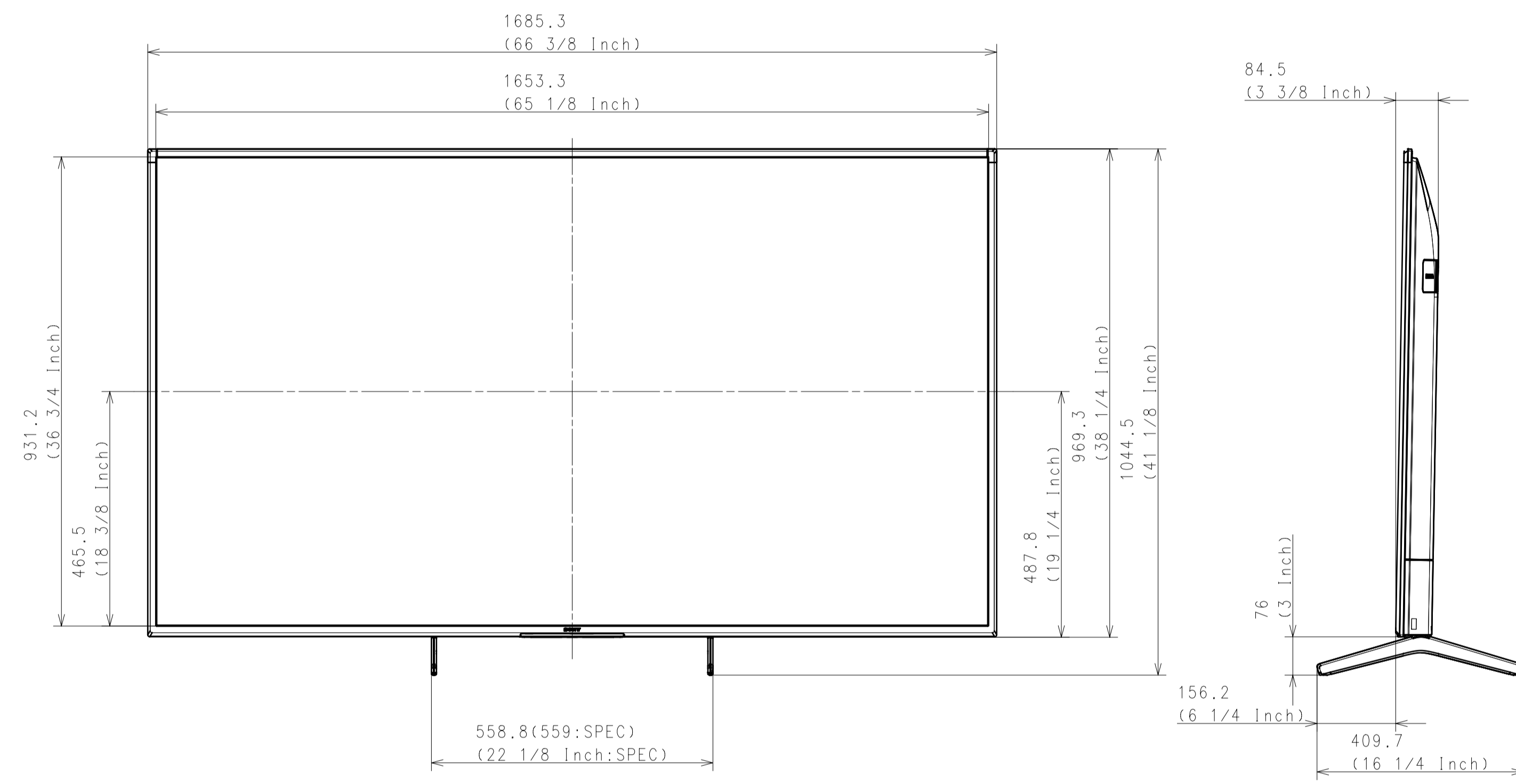
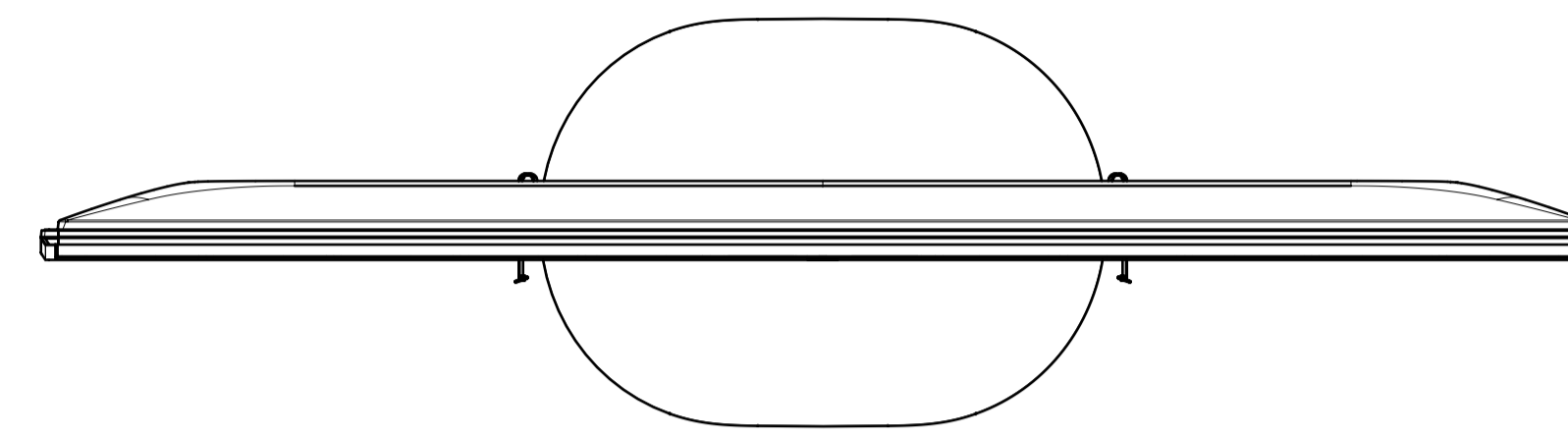
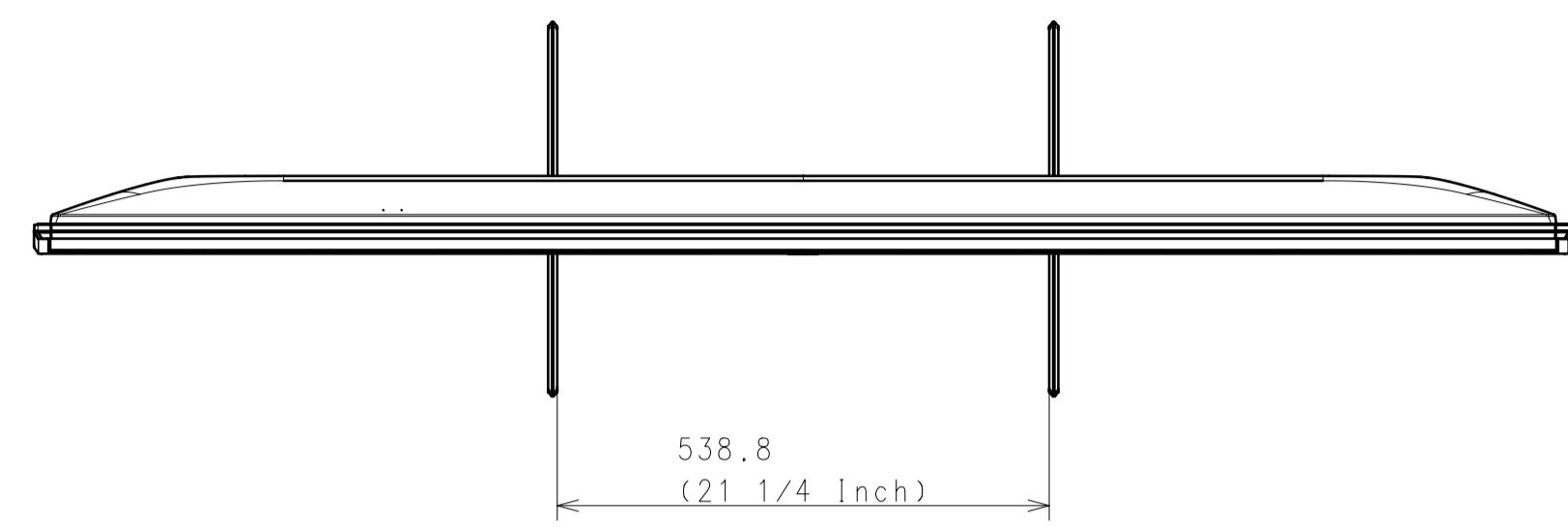
Purchase recycled resins and wire rods only from the business partners that Sony approves as Green Partners.
再生樹脂・銅線材はグリーンパートナー認定受注先から調達すること。

△x						GENERAL TOLERANCE	DATE OF ISSUE
△y							2020.10.09
△z							DOCUMENT TYPE
△2	2020.11.25	CORRECT INFORMATION (Ver2)					ASSEMBLY
HISTORY	SUFFIX	RELEASE NO.	DATE	REVISION	SIGN.		TOLERANCE
1							DRAWING
2							(JIS & JWEI(CIS) BASIS)
LEGAL OWNER						MATERIAL COLOR	FINISH COLOR
Sony Corporation							
RESPONSIBLE DEPARTMENT	PLANE & MECHANICAL DESIGN			ORIGINAL MODEL	DESCRIPTION		
PLANNED BY	2020.10.09			DESIGNED BY	75(X80J) EXTERIOR VIEW		
DRAWN BY	2020.10.09			APPROVED BY	75(X80J) EXTERIOR VIEW		
SCALE	1:2			TENTATIVE MODEL			
SIZE	A1			UNIT	mm		
SHEET NO.	1 / 5			SUFFIX	REV. NO.		

WITH STAND

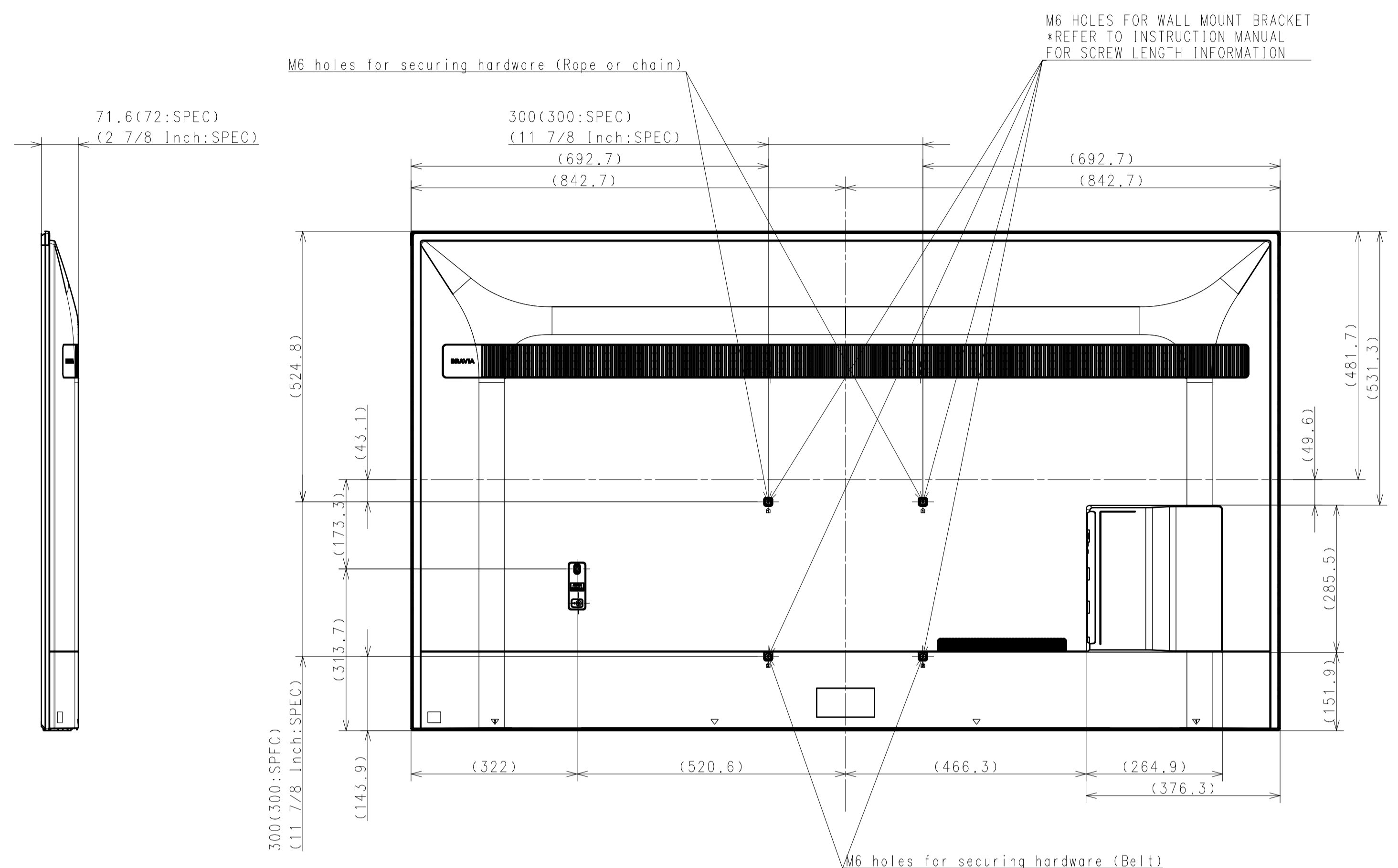
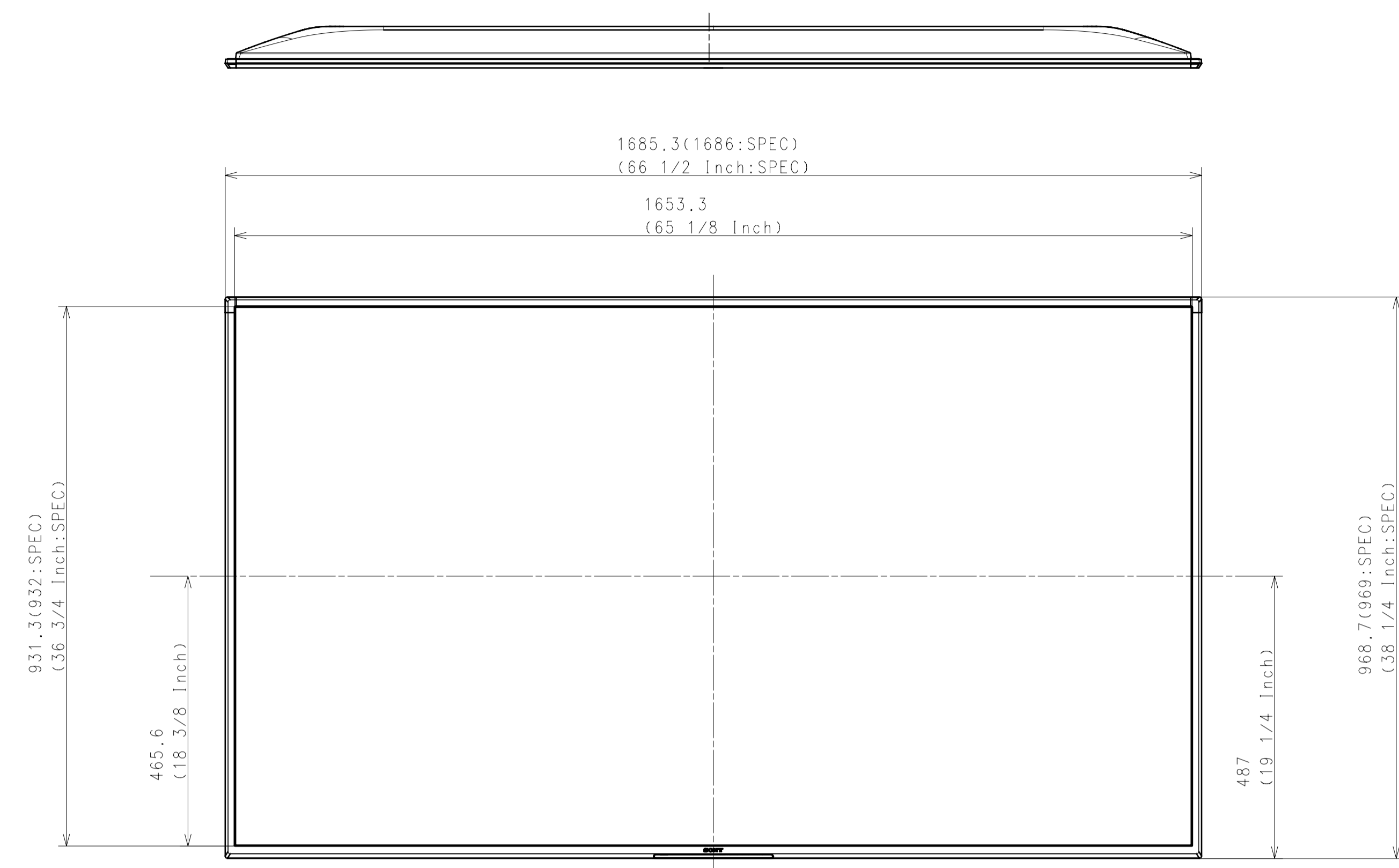
NARROW POSITION
 KD-75X81J
 (EUROPE Model only)

CENTER POSITION
 KD-75X82J

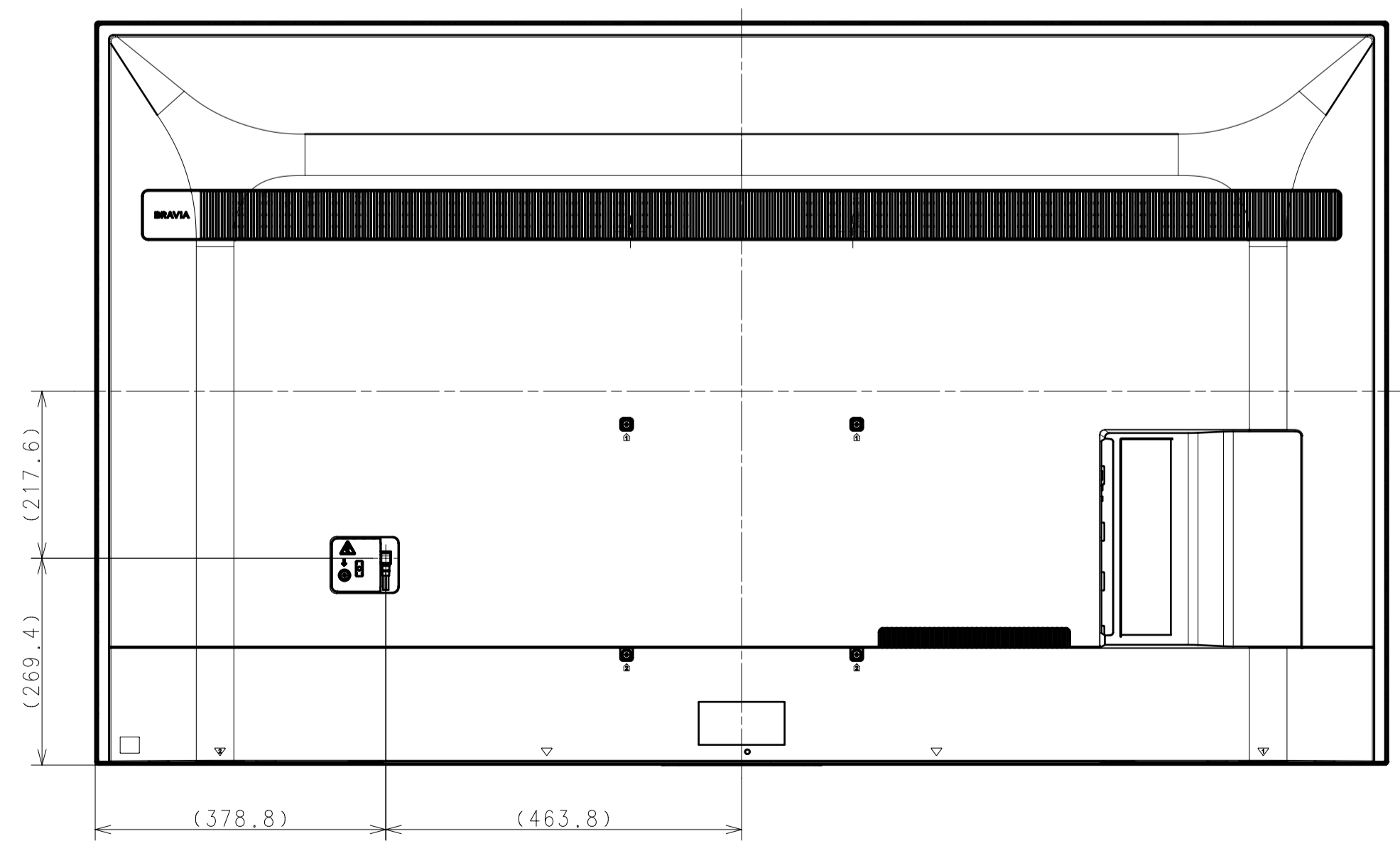


DESCRIPTION (E)	LEGAL OWNER	SCALE
75(X80J) EXTERIOR VIEW	Sony Corporation	1:8
DESCRIPTION (J)	PART NO.	SHEET/PAGES
75(X80J) EXTERIOR VIEW		2 / 5

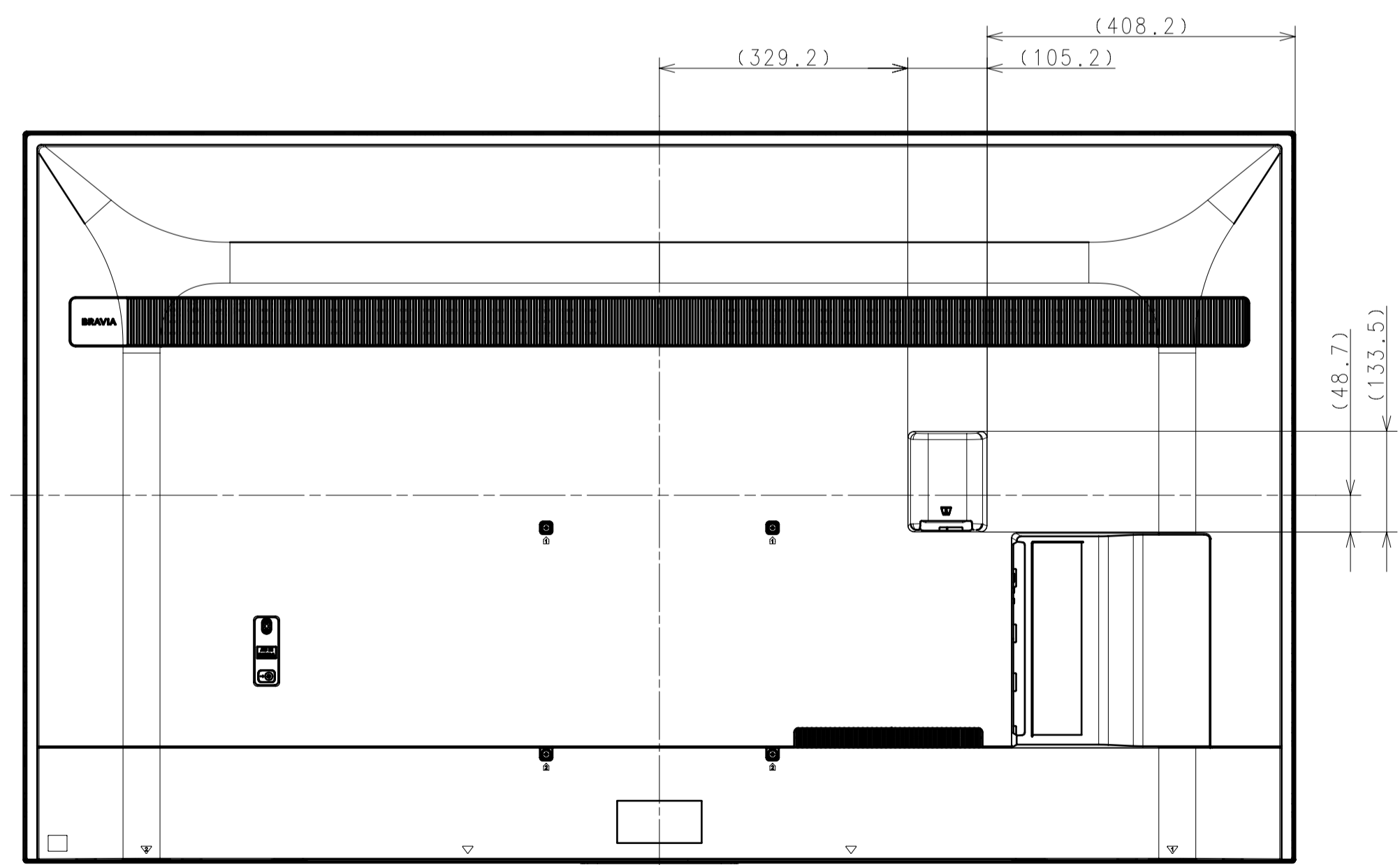
WITHOUT STAND



For .NORTH AMERICA, CHINA, GENERAL AREA
1:8



For .LATIN AMERICA
1:8



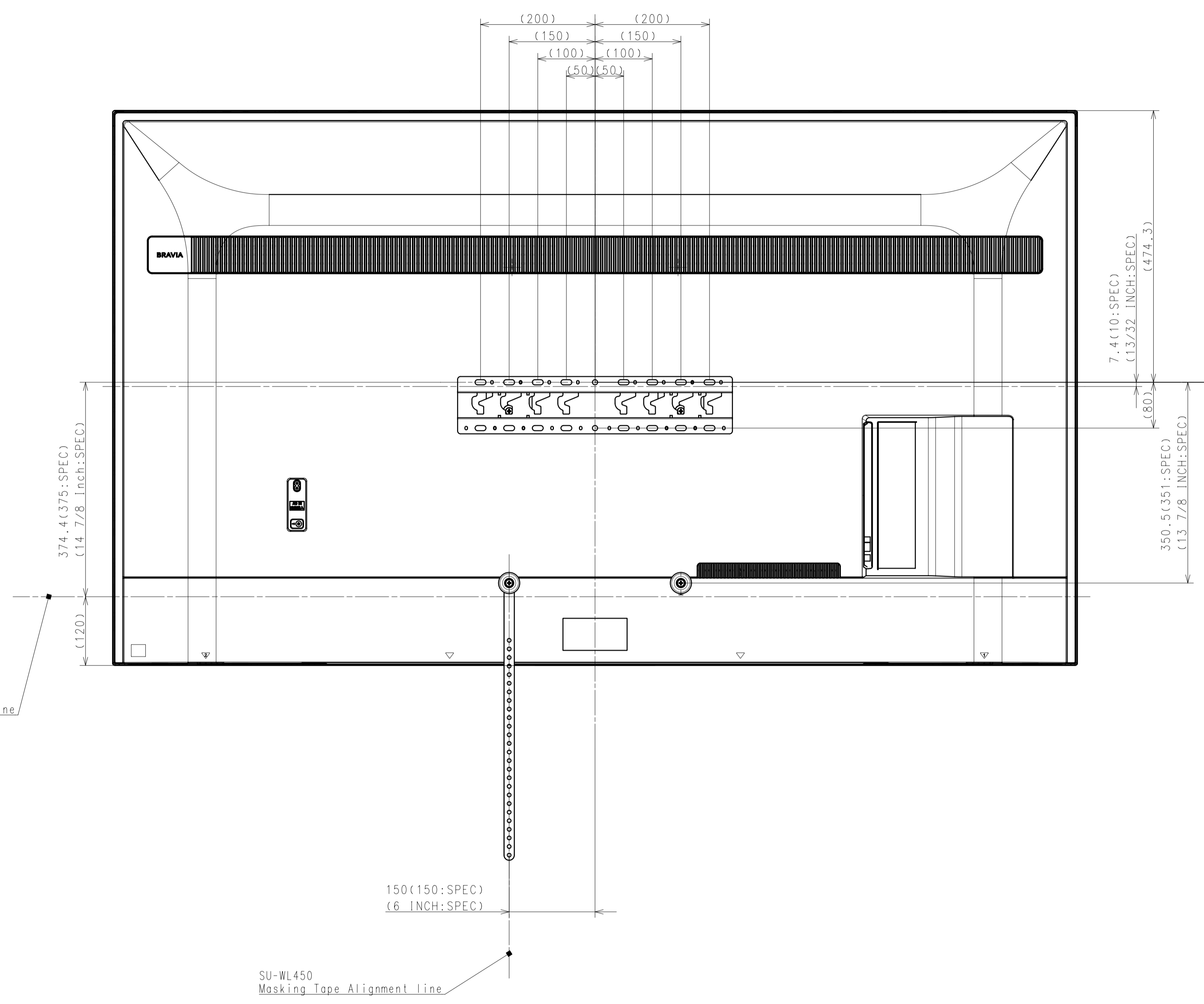
For .EUROPE
1:8

DESCRIPTION: 75(X80J) EXTERIOR VIEW	SCALE: 1:7
DESCRIPTION: 75(X80J) EXTERIOR VIEW	SCALE: 3/5
DATE: 15.12	SCALE: 1:7
DESCRIPTION: 75(X80J) EXTERIOR VIEW	SCALE: 3/5

SU-WL450

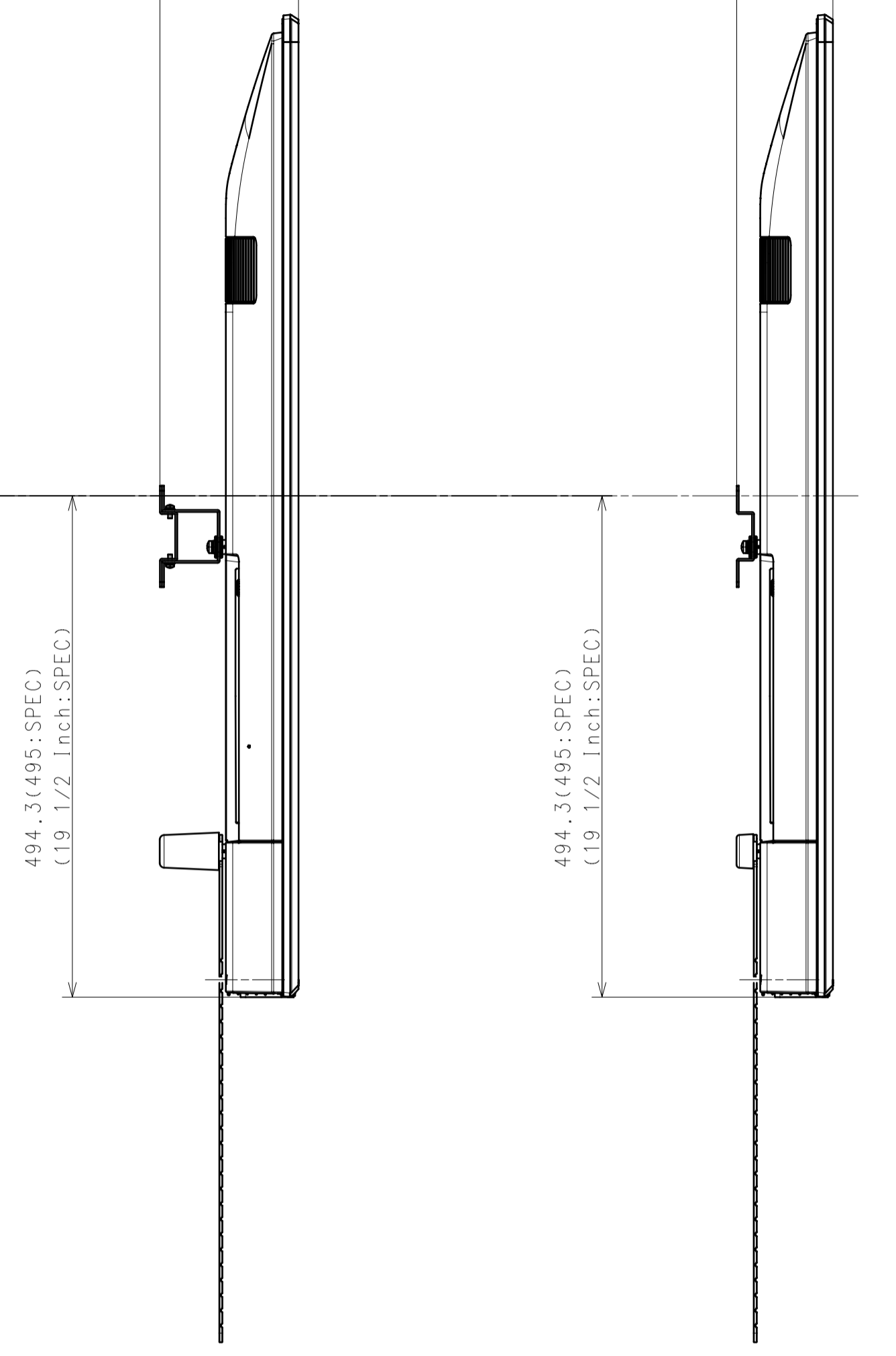
STANDARD

SLIM



136.6 (137:SPEC)
(5 1/2 INCH:SPEC)

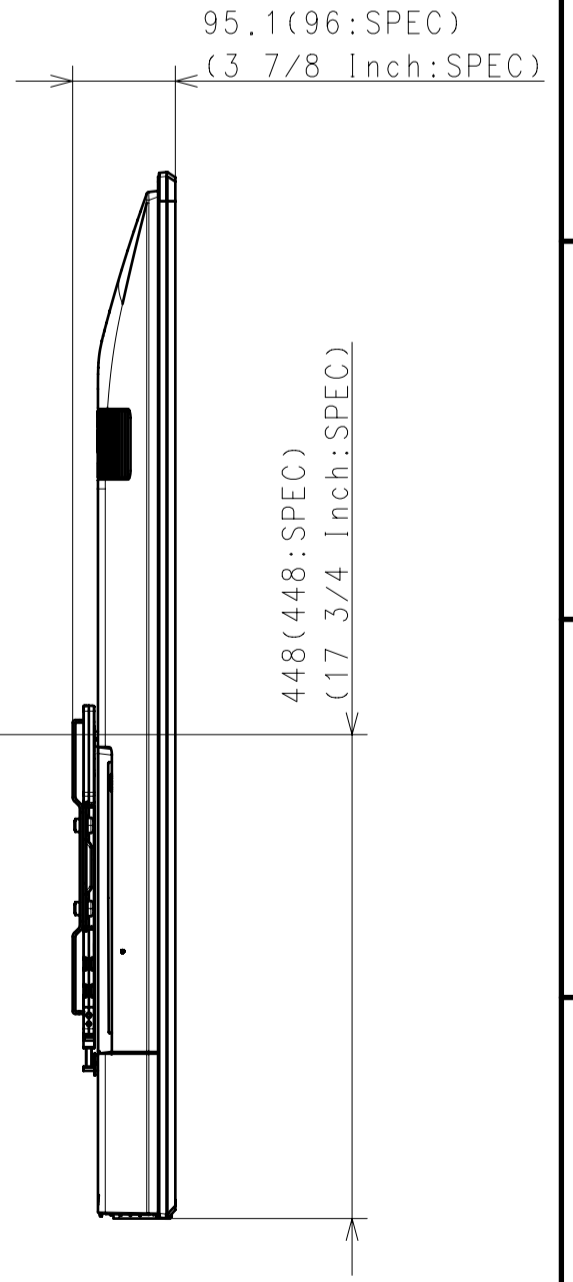
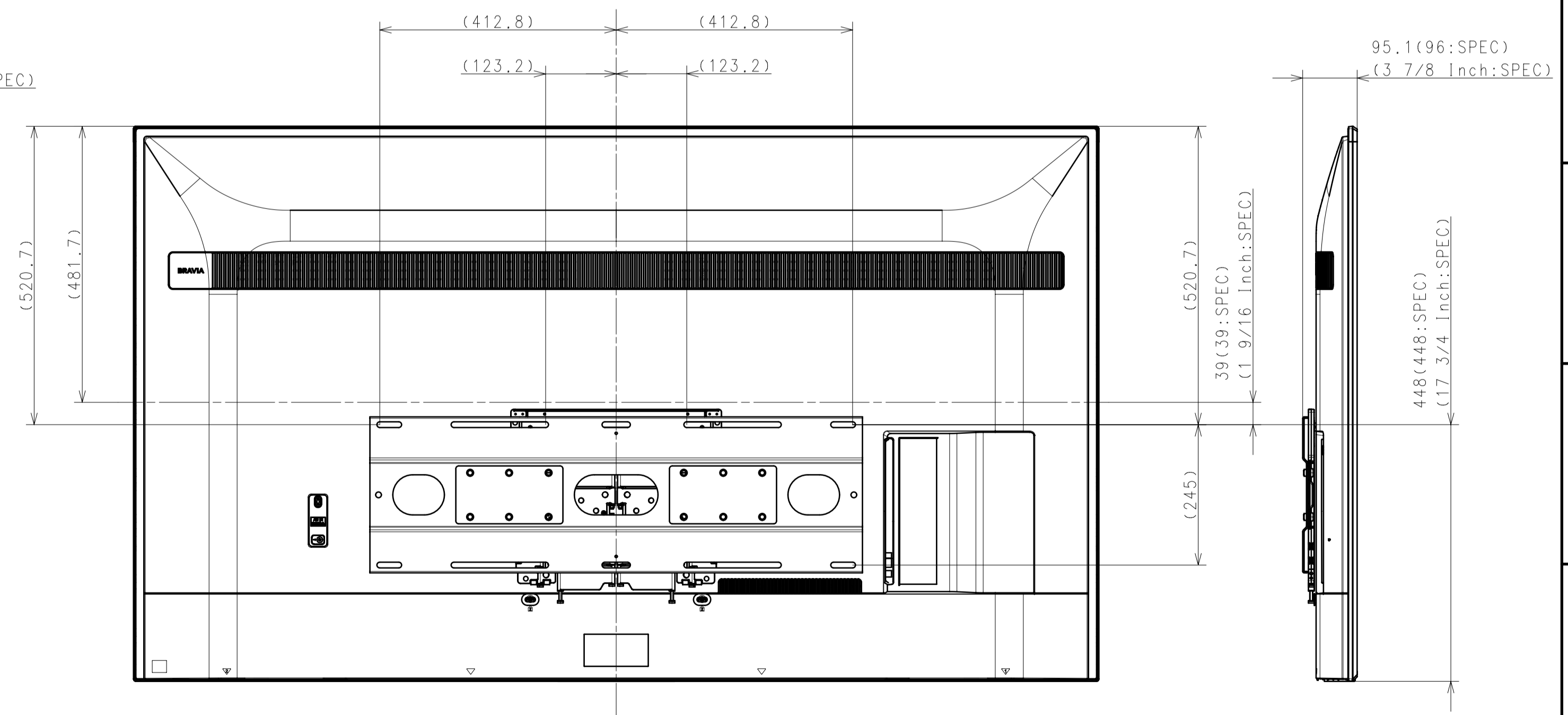
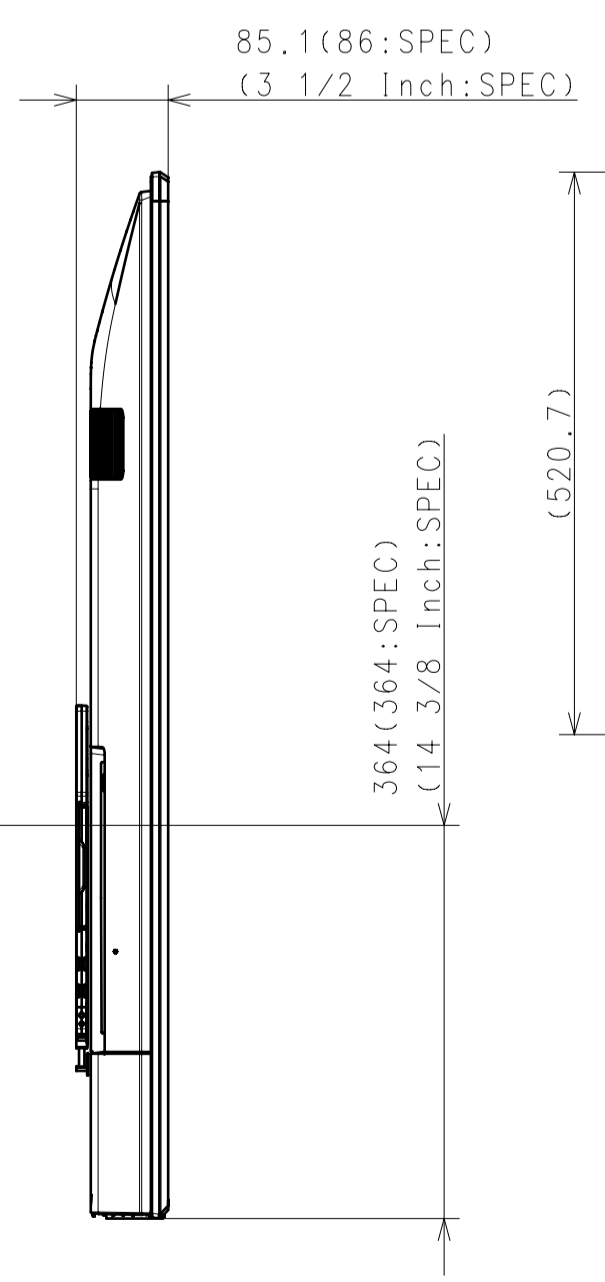
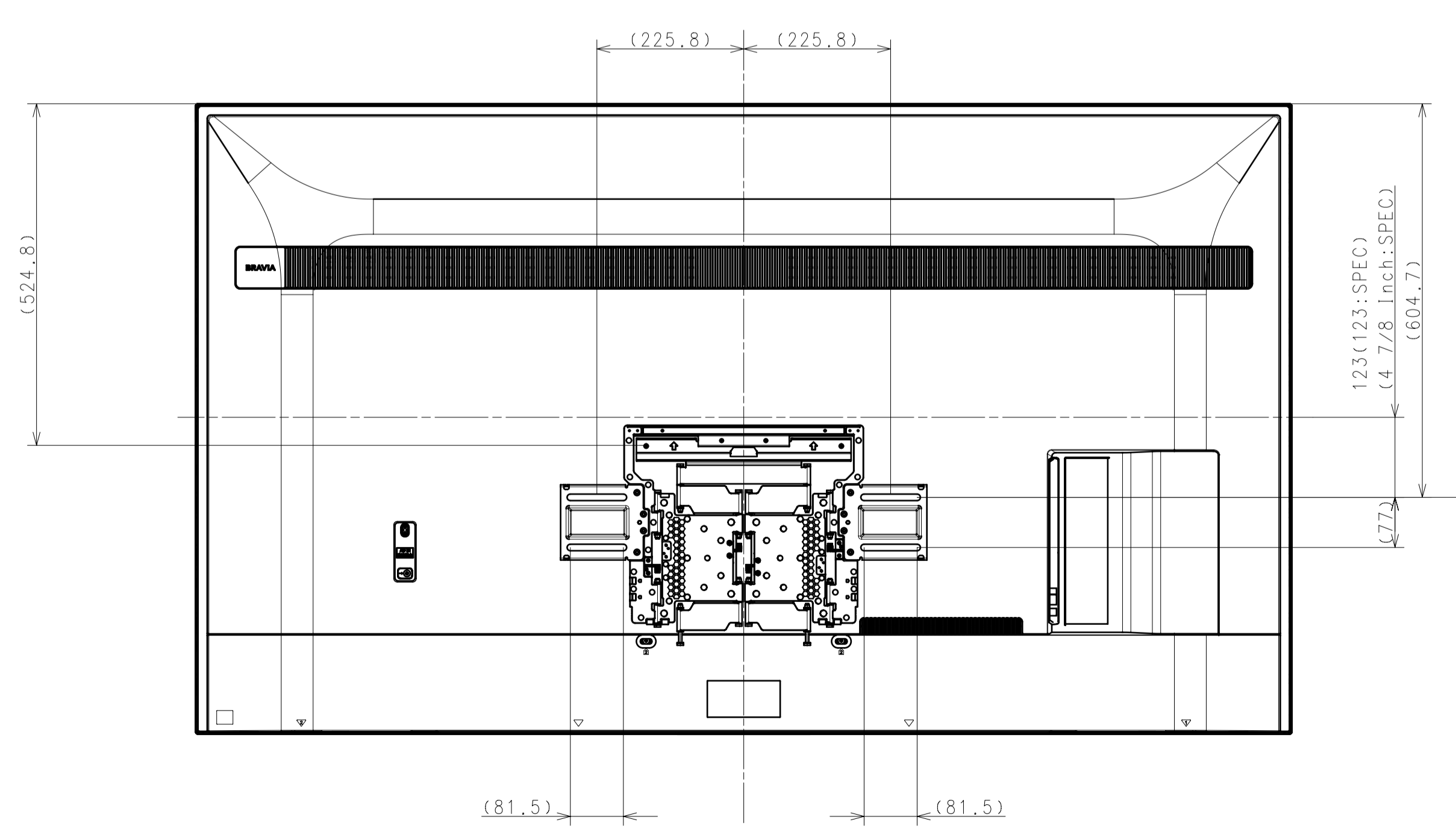
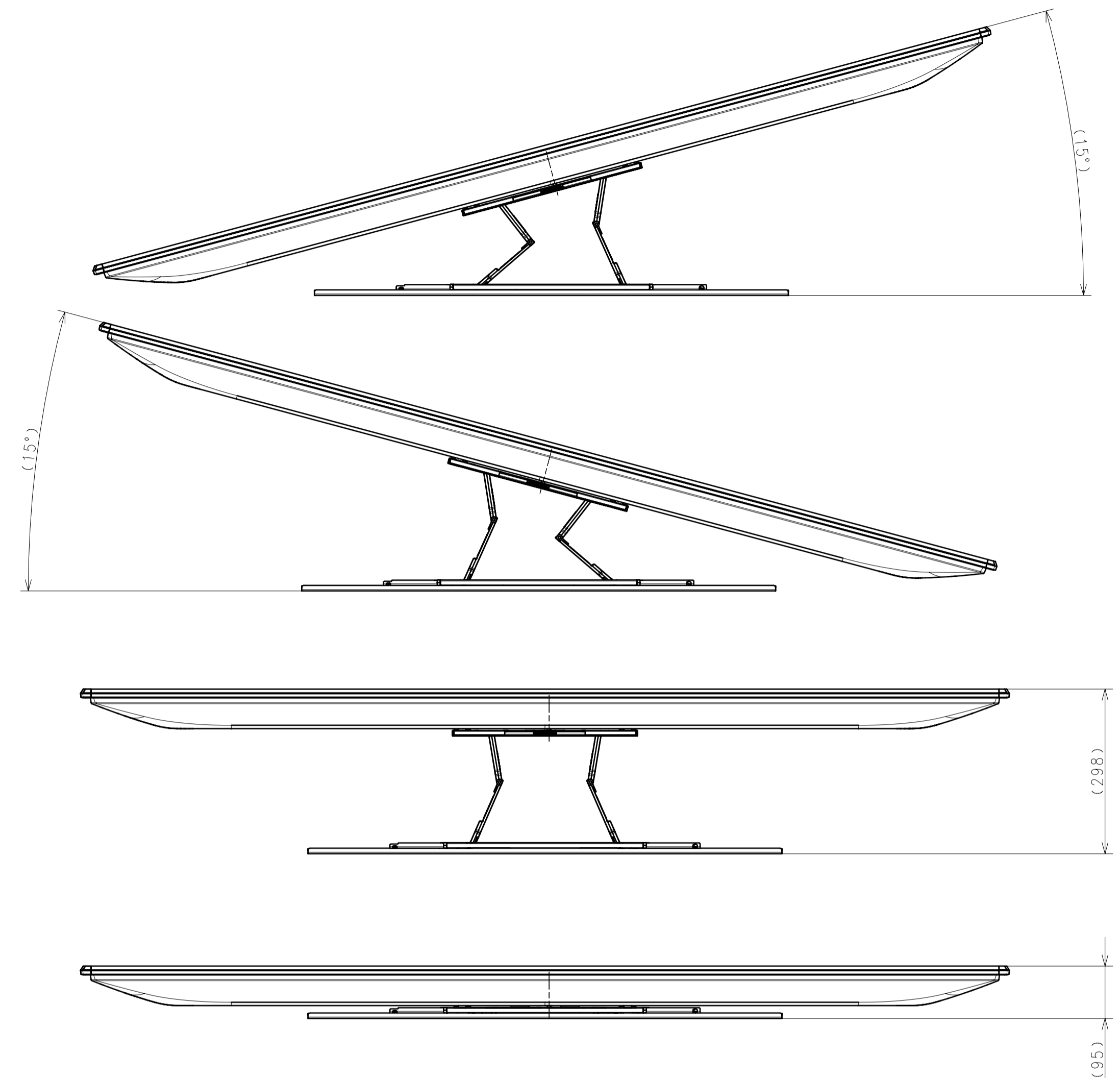
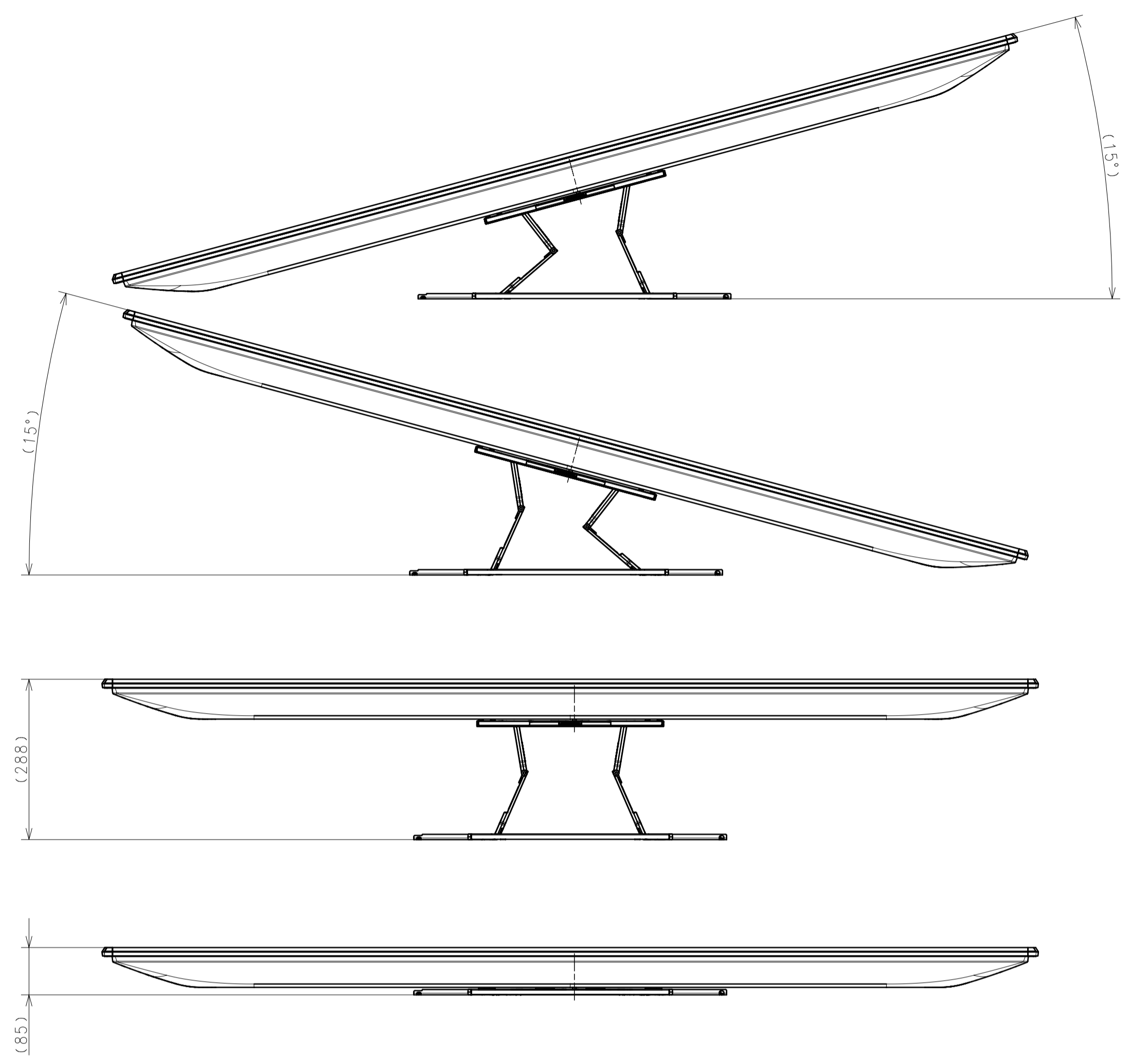
94.8 (95:SPEC)
(3 3/4 INCH:SPEC)



DESCRIPTION 1	75(X80J) EXTERIOR VIEW	LEGAL OWNER	Sony Corporation	SCALE	1:5
DESCRIPTION 2	75(X80J) EXTERIOR VIEW	PART NO.		SHEET/PAGES	4 / 5

SU-WL 850

SU-WL 855 WITH LATERAL SHAFT BRACKET



DESCRIPTION 1	LEGAL OWNER	SCALE
75(X80J) EXTERIOR VIEW	Sony Corporation	1:7
DESCRIPTION 2	PART NO.	SHEET/PAGES
75(X80J) EXTERIOR VIEW		5 / 5