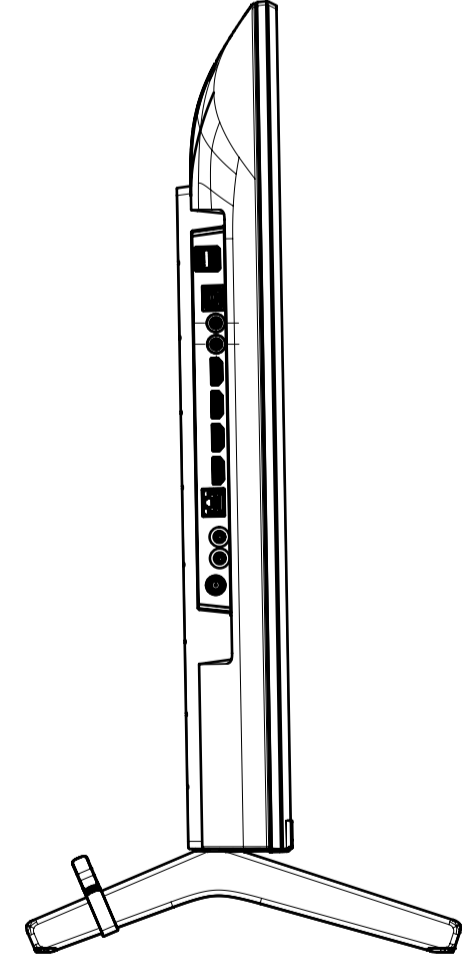
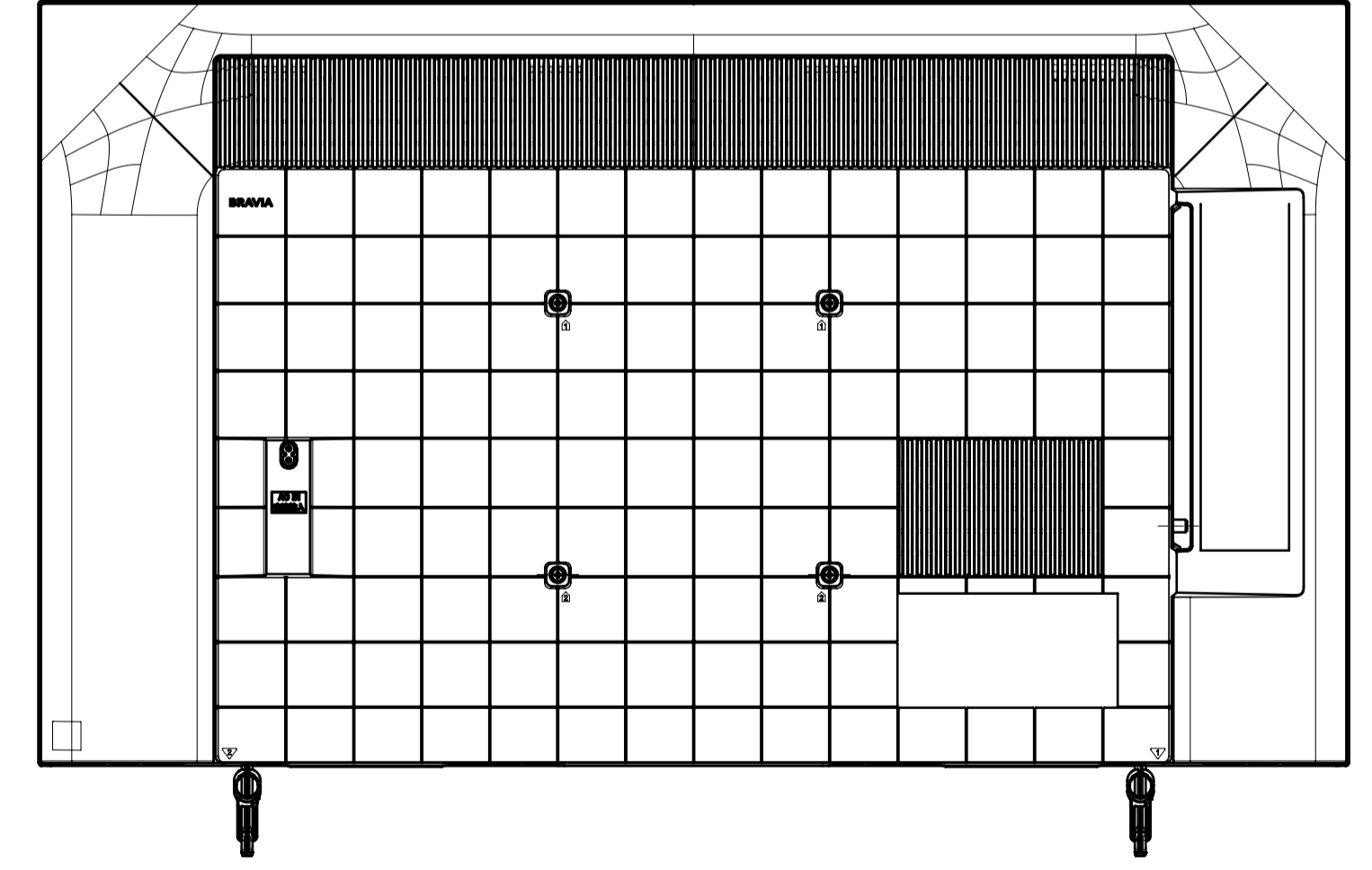
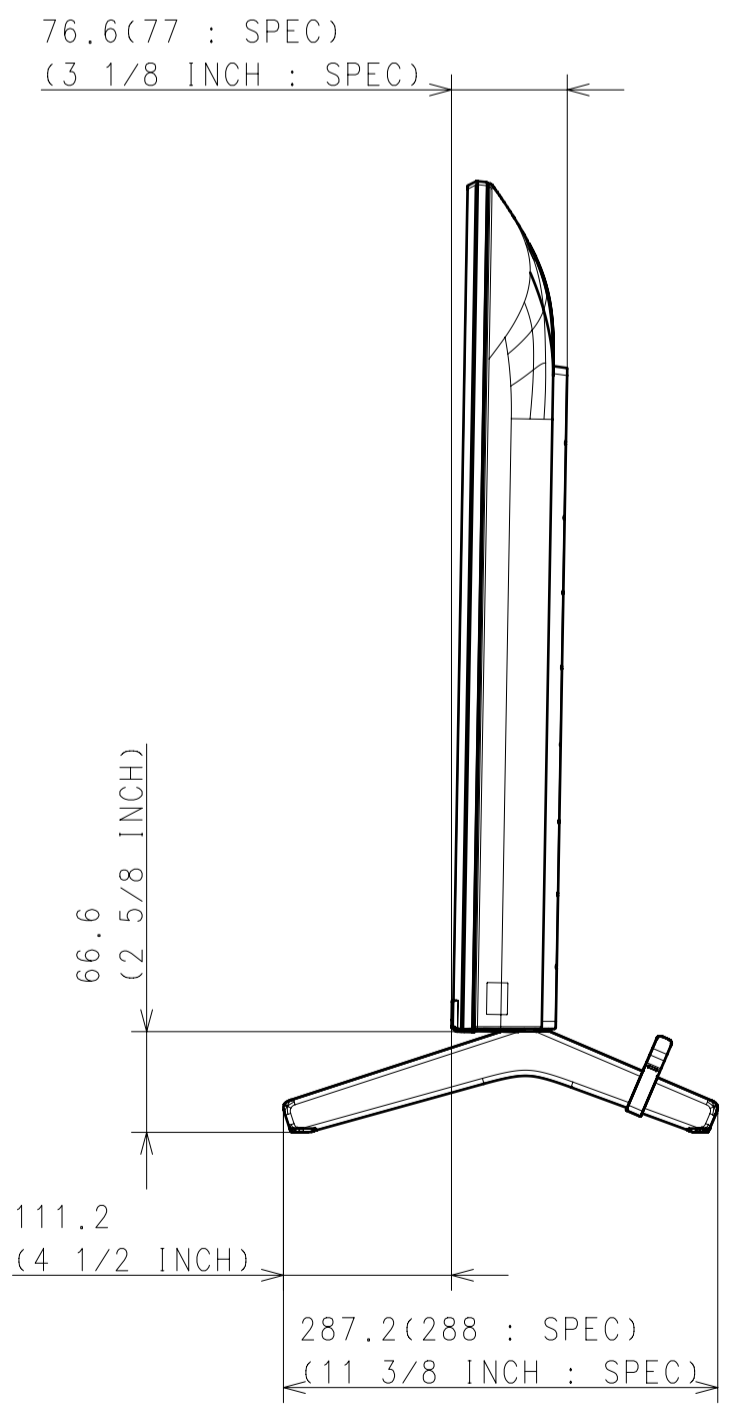
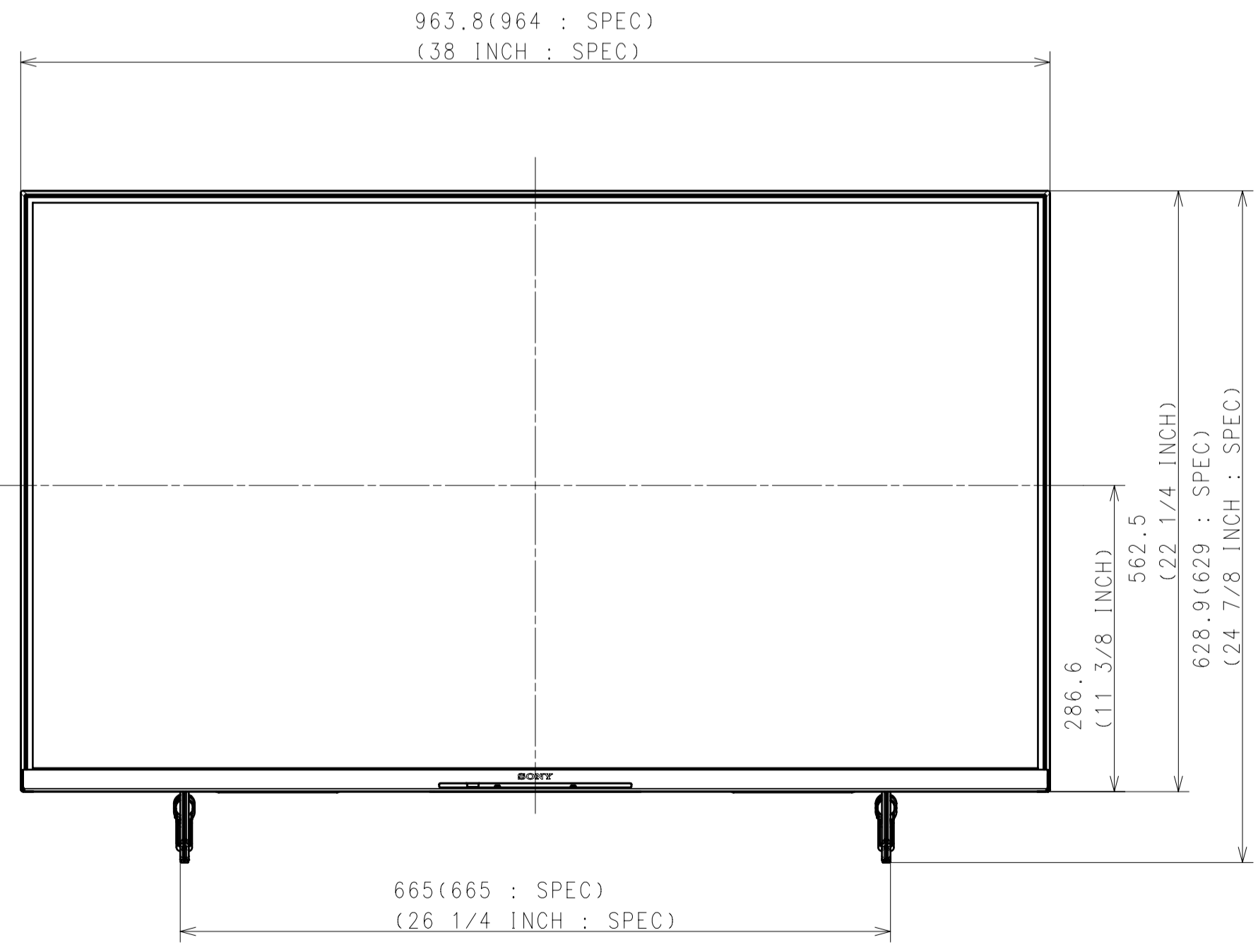
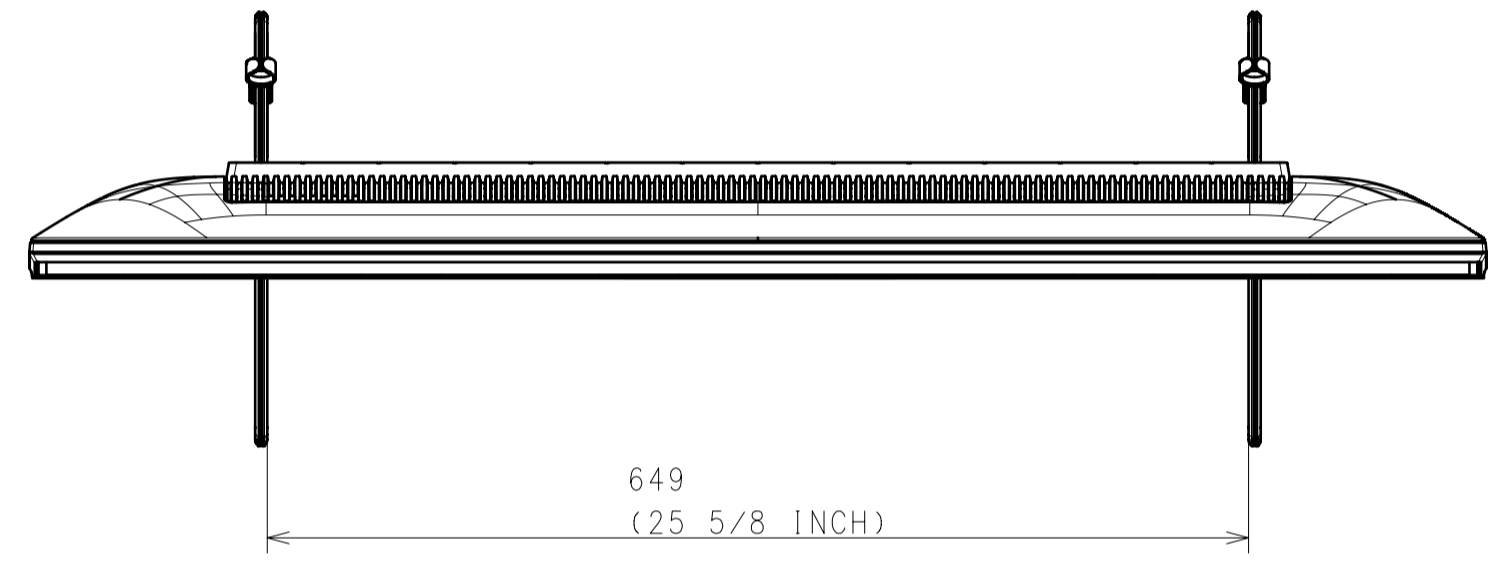


WITH STAND

MAIN STAND
STANDARD POSITION
Except KD-43X82K(EUROPE DERIVATIVE 1) &
KD-43X80K(NORTH AMERICA / LATIN AMERICA)

Area	JAPAN	NORTH AMERICA	LATIN AMERICA	EUROPE	EUROPE DERIVATIVE 1	GENERAL AREA	
Model Name	KJ-43X80K	KD-43X80K	KD-43X80K	KD-43X80K	KD-43X82K	KD-43X80K	
SV No.	SV-40145	SV-40008	SV-40020	SV-40116	SV-40117	SV-40047	
DIMENSION	TV only (W x H x D)	96.4 x 56.3 x 6.9 cm	964 x 563 x 69 mm / 38 x 22 1/4 x 2 3/4 inch	964 x 563 x 69 mm	Approx. 96.4 x 56.3 x 6.9 cm	Approx. 96.4 x 56.3 x 6.9 cm	Approx. 964 x 563 x 69 mm
	TV only with camera (WxHxD)	-	-	-	-	-	-
	TV with Stand (Standard position) (W x H x D)	96.4 x 62.9 x 28.8 cm	964 x 628 x 286 mm / 38 x 24 3/4 x 11 3/8 inch	964 x 628 x 286 mm	Approx. 96.4 x 62.9 x 28.8 cm	Approx. 96.4 x 63.0 x 30.3 cm	Approx. 964 x 629 x 288 mm
	TV with Stand (Narrow position) (W x H x D)	-	-	-	-	-	-
	TV with Stand (Soundbar position) (W x H x D)	-	-	-	-	-	-
	TV with Stand (Front position style) (W x H x D)	-	-	-	-	-	-
	TV with Stand (Back position style) (W x H x D)	-	-	-	-	-	-
	TV with Floor Stand (W x H x D)	-	-	-	-	-	-
	Stand Width (Standard position)	66.5 cm	665 mm / 26 1/4 inch	665 mm	Approx. 66.5 cm	Approx. 63.1 cm	Approx. 665 mm
	Stand Width (Narrow position)	-	-	-	-	-	-
	Stand Width (Soundbar position)	-	-	-	-	-	-
	Stand Width (Front position style)	-	-	-	-	-	-
	Stand Width (Back position style)	-	-	-	-	-	-
	Floor Stand Width	-	-	-	-	-	-
VESA Hole Pitch	20.0 x 20.0 cm	200 x 200 mm / 7 7/8 x 7 7/8 inch	200 x 200 mm	20.0 x 20.0 cm	20.0 x 20.0 cm	200 x 200 mm	
TV Only	10.1 kg	10.1 kg / 22.3 lb	10.1 kg	Approx. 10.1 kg	Approx. 10.1 kg	Approx. 10.1 kg	
TV with Stand (Standard position)	10.7 kg	10.6 kg / 23.4 lb	10.6 kg	Approx. 10.7 kg	Approx. 13.1 kg	Approx. 10.7 kg	
TV with Stand (Narrow position)	-	-	-	-	-	-	
TV with Stand (Soundbar position)	-	-	-	-	-	-	
TV with Stand (Front/Back position style)	-	-	-	-	-	-	
TV with Floor Stand	-	-	-	-	-	-	
Floor Stand weight (Supply)	-	-	-	-	-	-	
W-M't Br. Weight (Supply)	-	-	-	-	-	-	
Remarks		Main Stand(APH)	Main Stand(APH)		Center Stand		

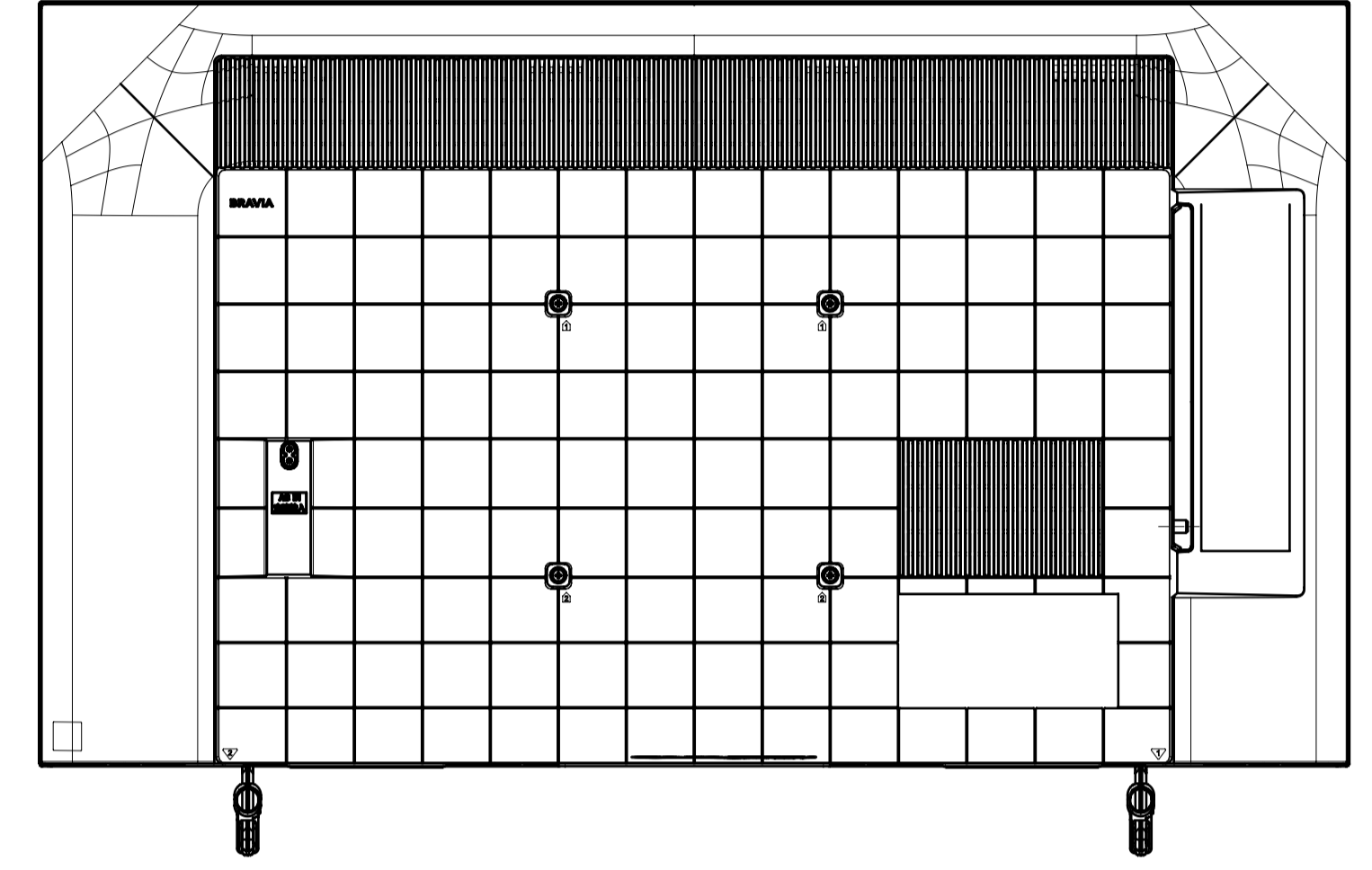
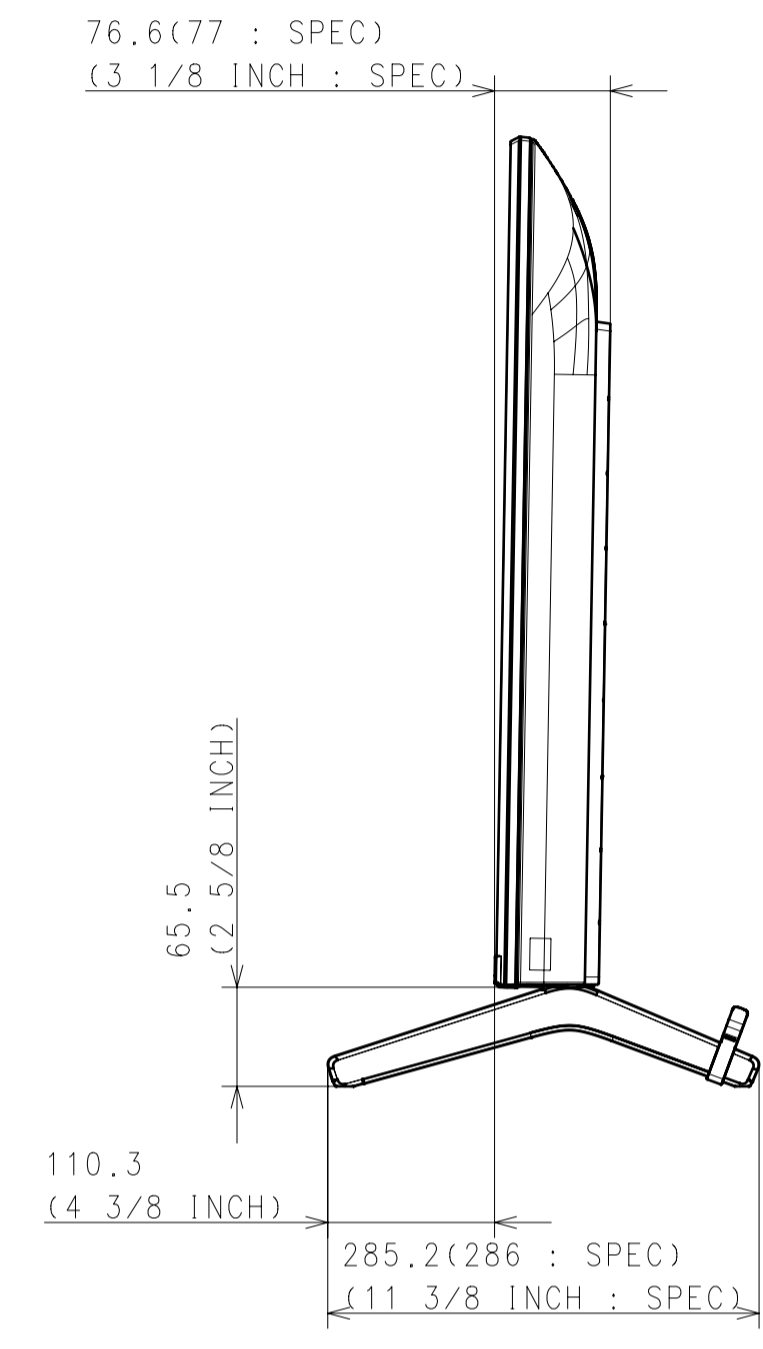
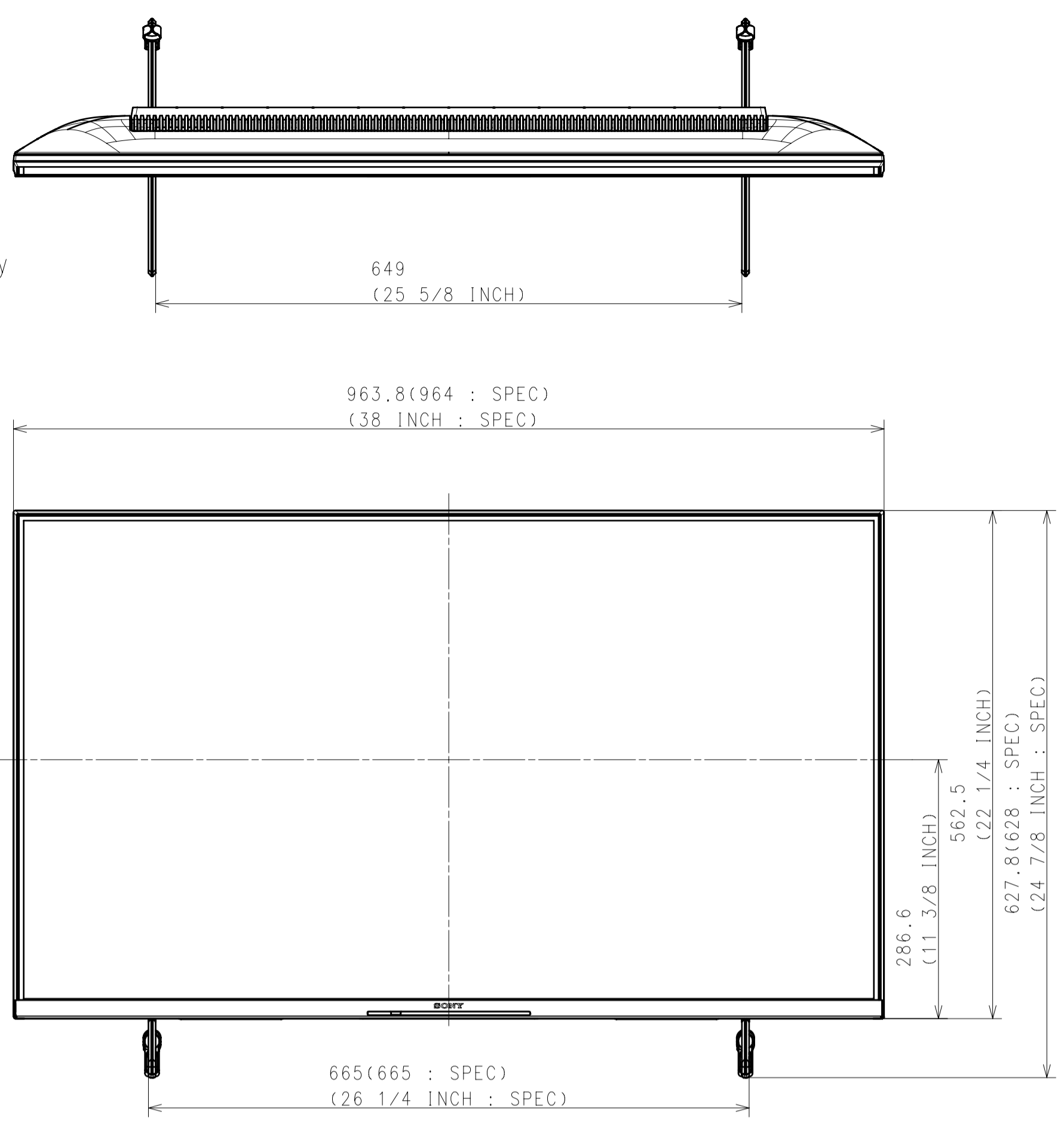


Purchase recycled resins and wire rods only from the business partners that Sony approves as Green Partners.
再生樹脂・鋼線鋼材はグリーンパートナー認定品から調達すること。

DATE OF ISSUE 2021.10.08	DOCUMENT TYPE ASSEMBLY	GENERAL TOLERANCE	FINISH/COLOR
TOLENCANCING DRAWING	(JIS & JWEI(JIS) BASIS)		
HISTORY & COUNT	SUFFIX AREA NO. REV. DATE	RELEASE NO. DATE	REVISION
LEGAL OWNER	Sony Corporation		
RESPONSIBLE DEPARTMENT PANEL & MECHANICAL DESIGN	DESIGNED BY 2021.10.08 Asai, Saitoh	CHECKED BY	APPROVED BY
ORIGINAL MODEL 43(X80K)	DESCRIPTION 43(X80K) EXTERIOR VIEW	SCALE 1:5	TENTATIVE MODEL
DRAWN BY 2021.10.08	SIZE A1	UNIT mm	PAGE NO. 1/4
TITLE PANEL & MECHANICAL DESIGN	REV. NO.	SUFFIX	REV. NO.

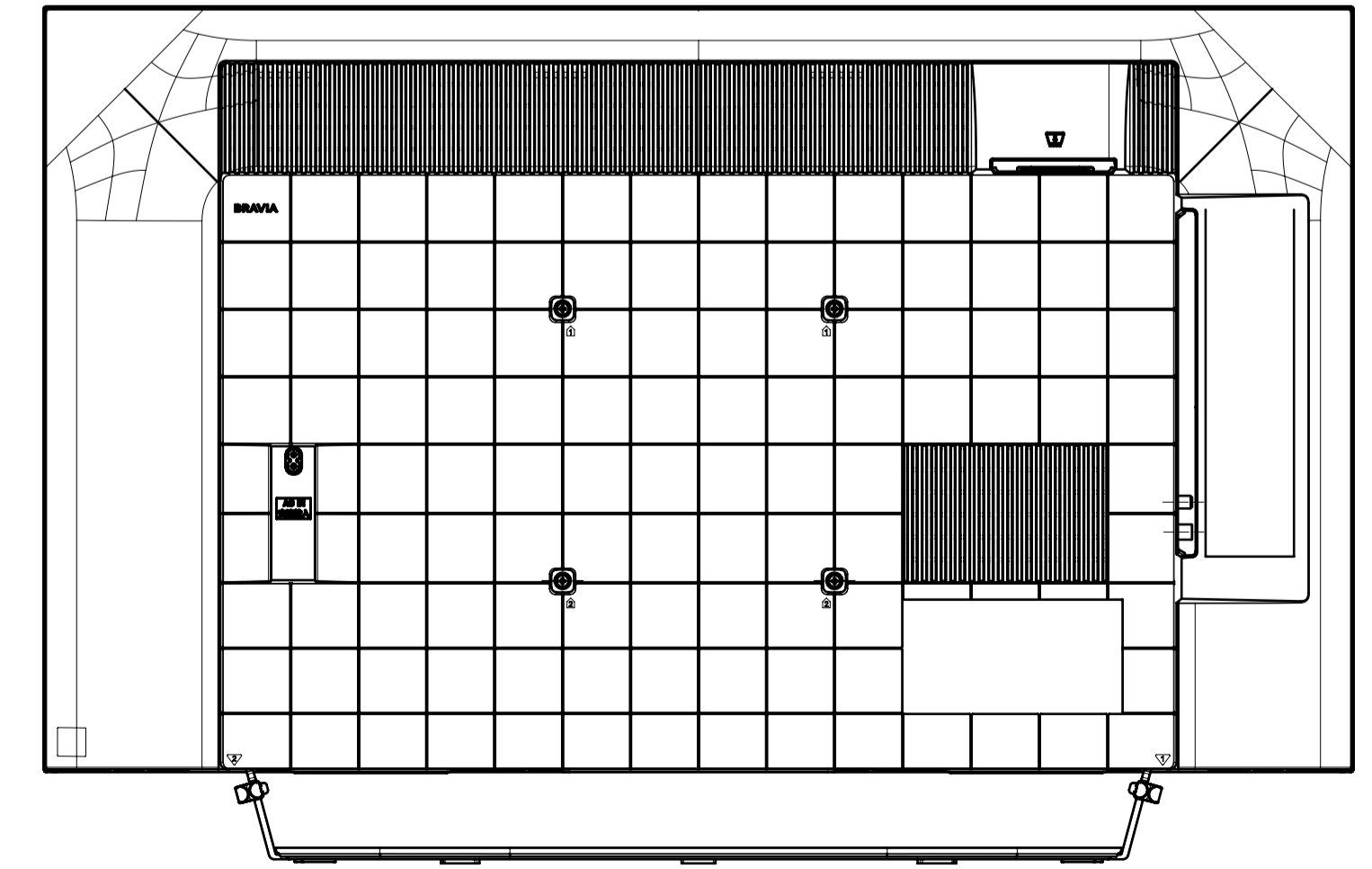
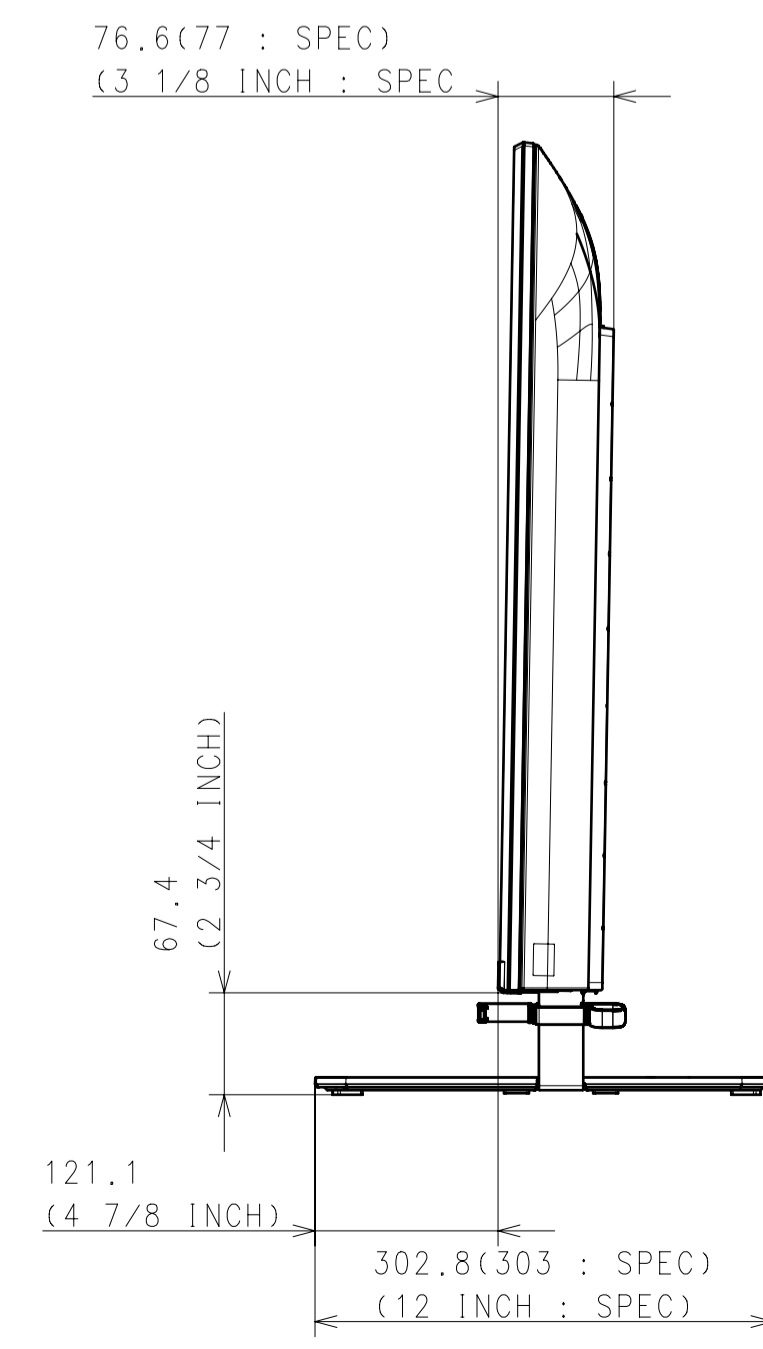
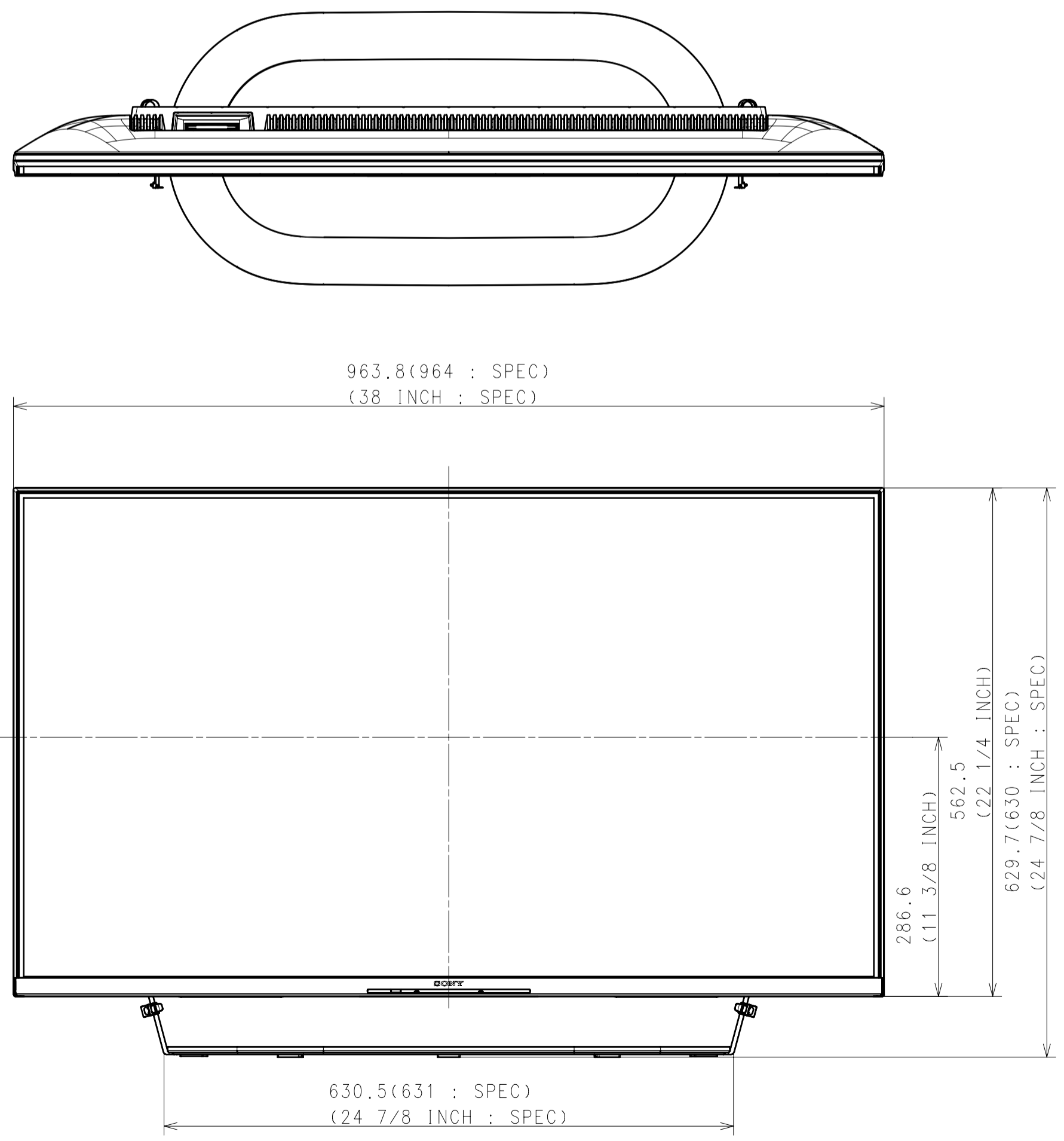
WITH STAND

MAIN STAND (APH)
STANDARD POSITION
KD-43X80K
(NORTH AMERICA / LATIN AMERICA) Only



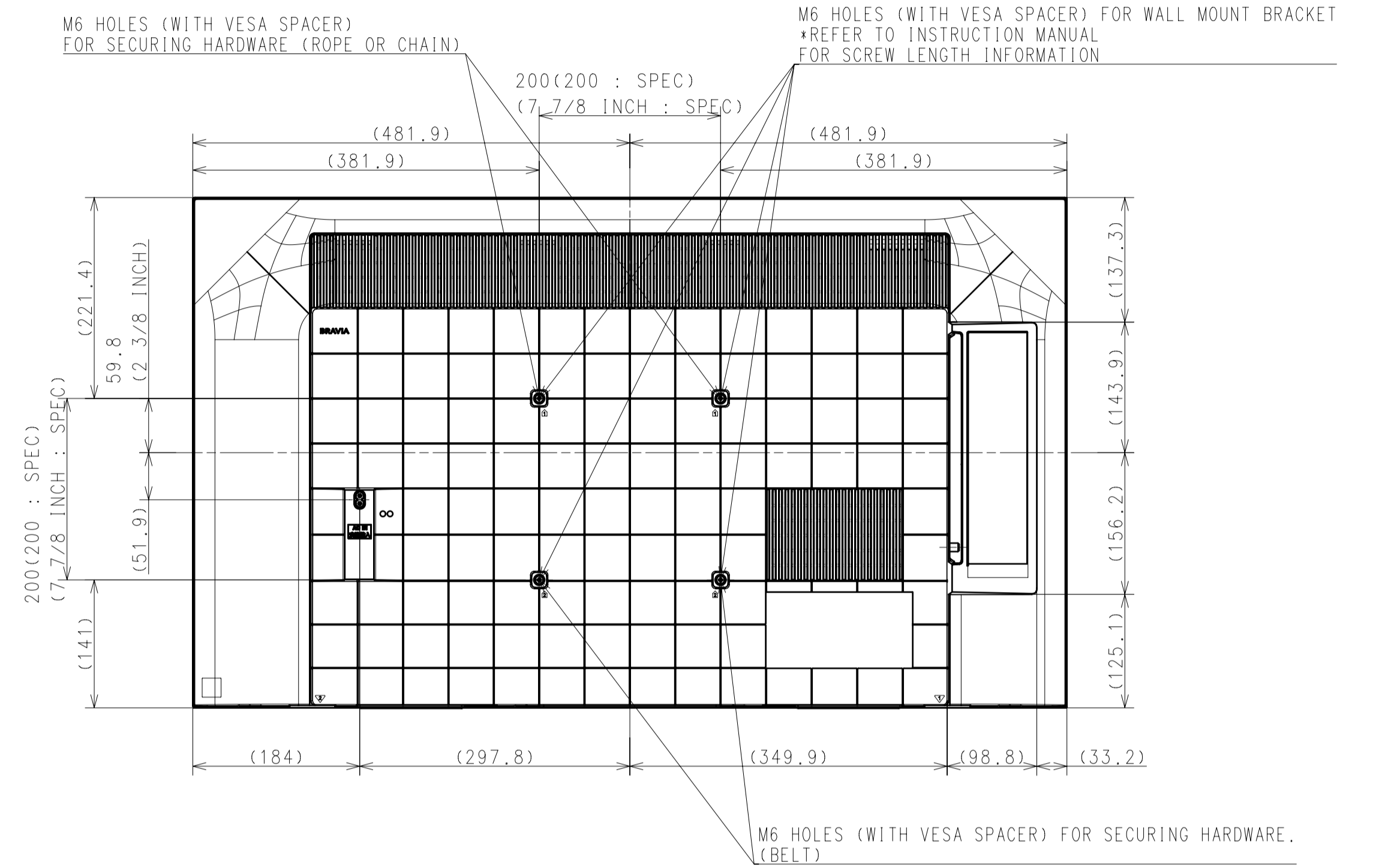
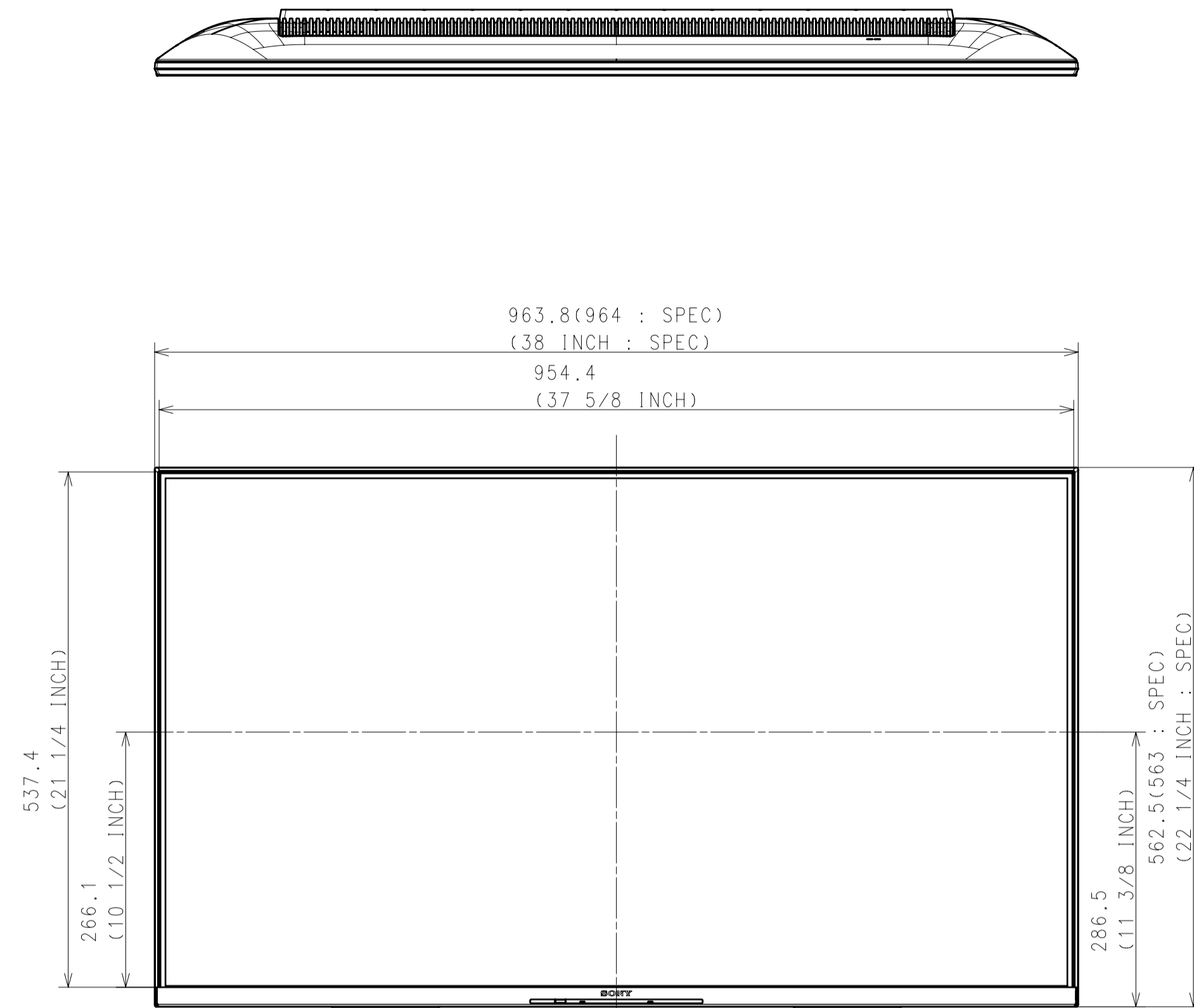
WITH STAND

CENTER STAND
STANDARD POSITION
KD-43X82K(EUROPE DERIVATIVE 1) Only

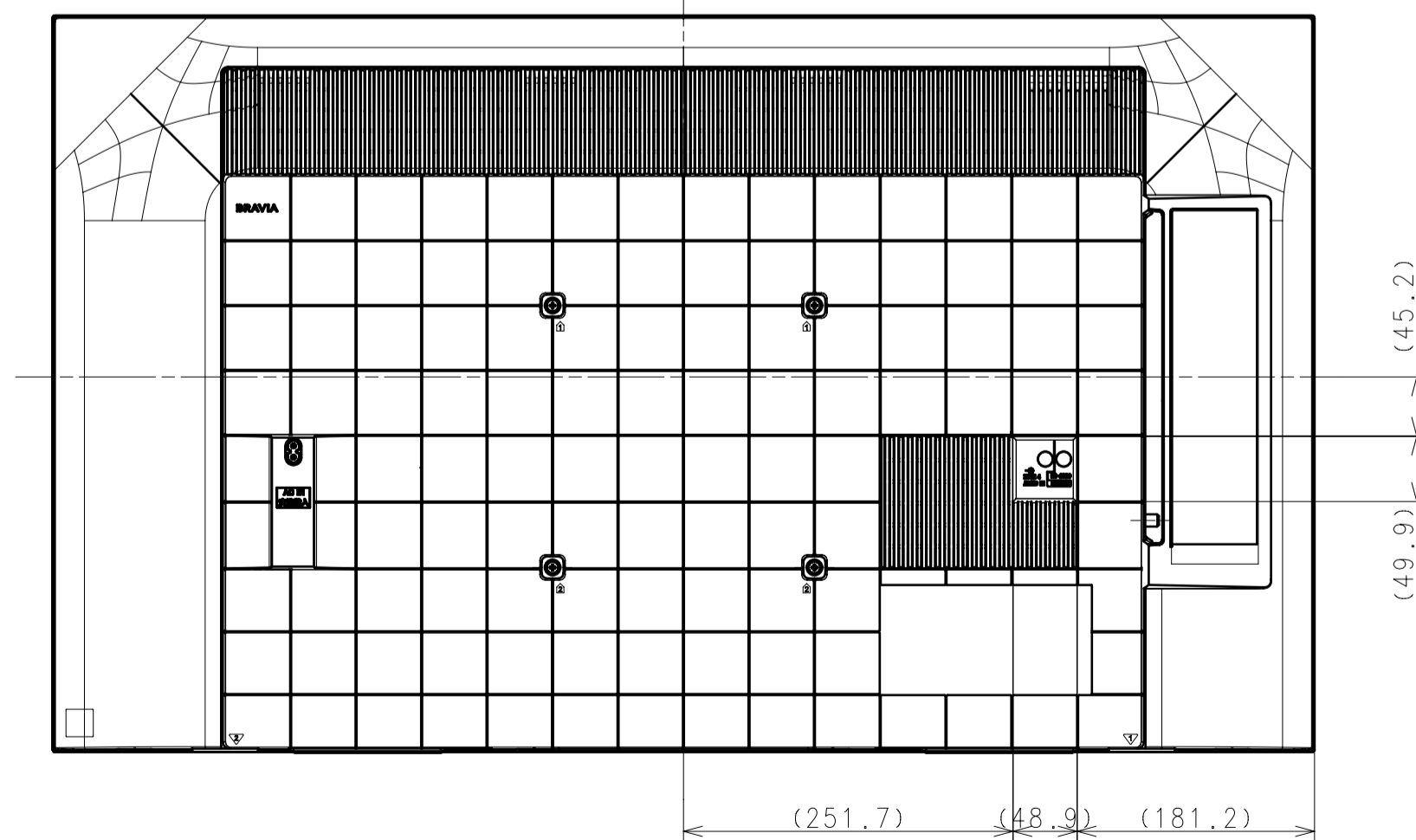


DESCRIPTION 1 43(X80K) EXTERIOR VIEW	LEGAL OWNER Sony Corporation	SCALE 1:5
DESCRIPTION 2 43(X80K) EXTERIOR VIEW	PART NO.	SHEET/PAGES 2 / 4

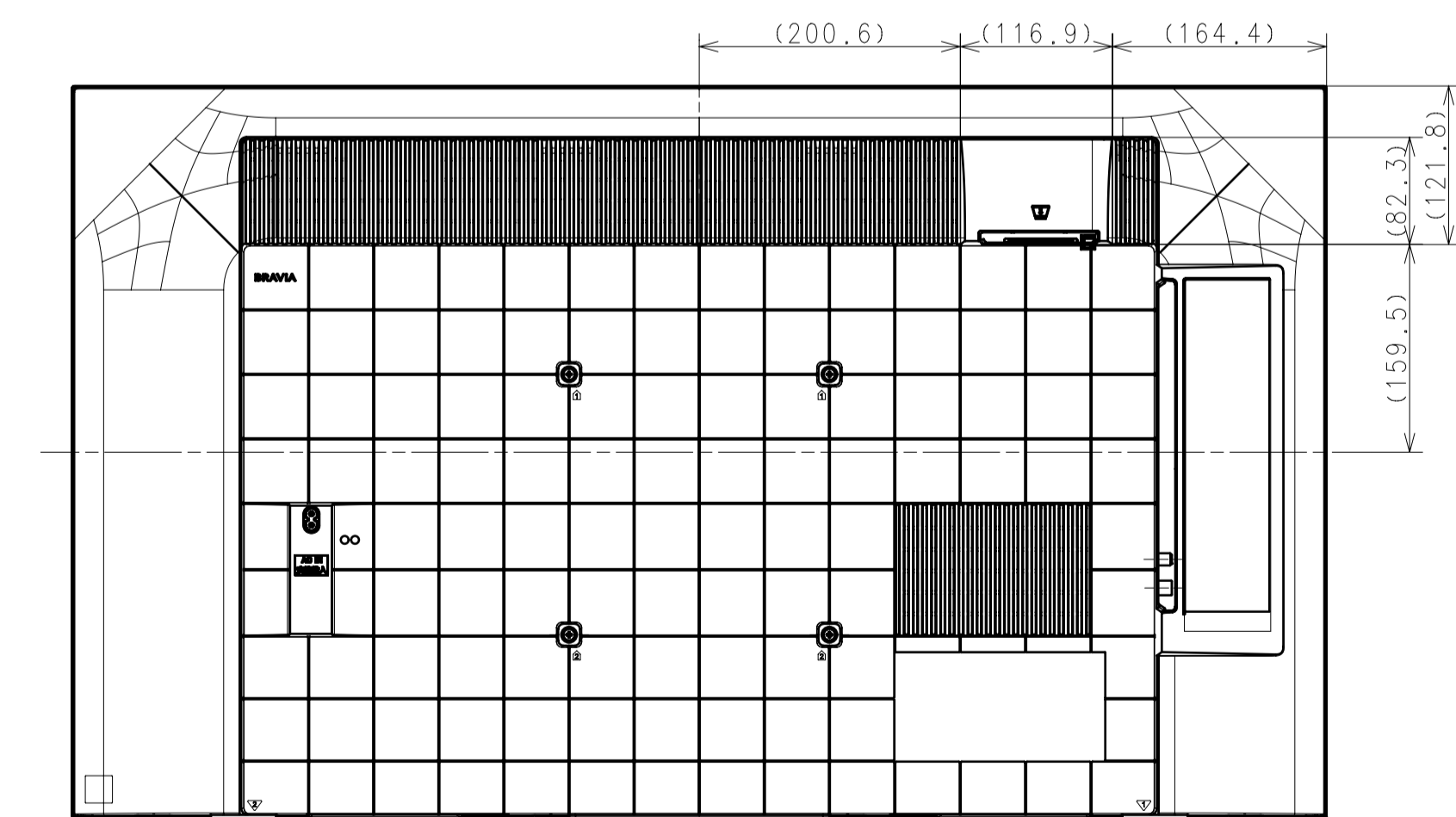
WITHOUT STAND



FOR GENERAL AREA, NORTH AMERICA, LATIN AMERICA



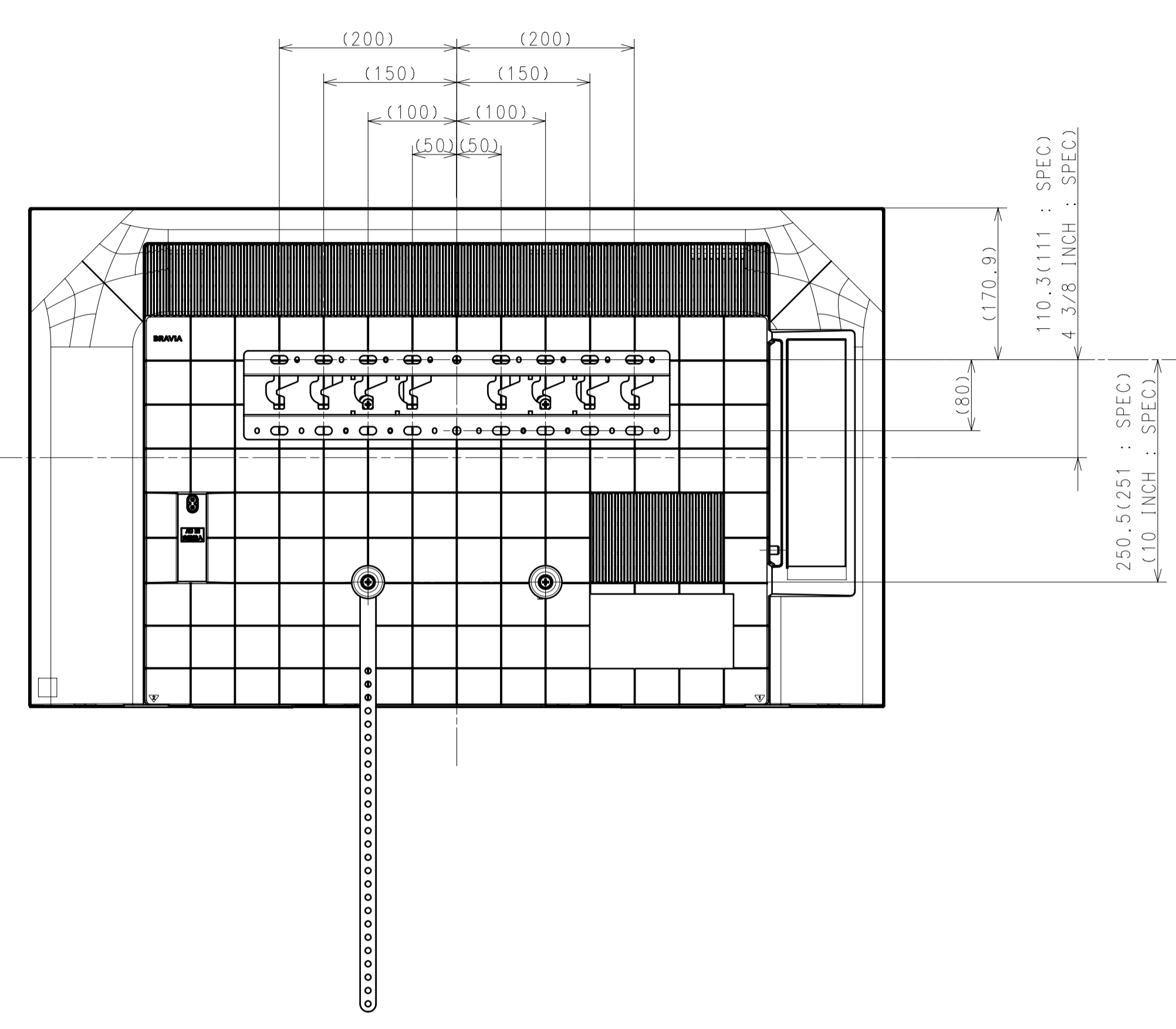
FOR JAPAN



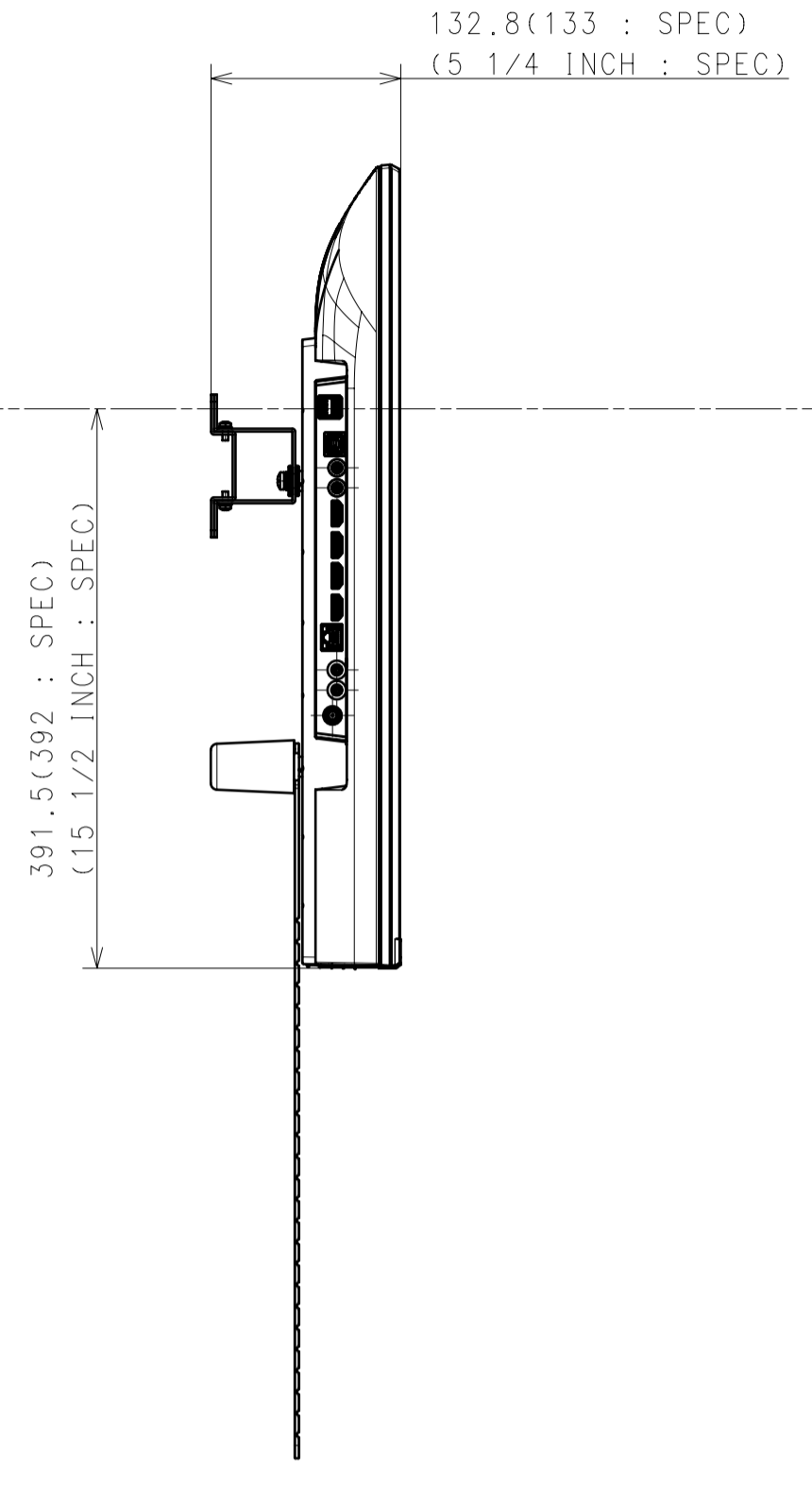
FOR EUROPE

DESCRIPTIONS 43(X80K) EXTERIOR VIEW	LEGAL OWNER Sony Corporation	SCALE 1:5
DESCRIPTIONS 43(X80K) EXTERIOR VIEW	PART NO.	SHEET/PAGES 3 / 4

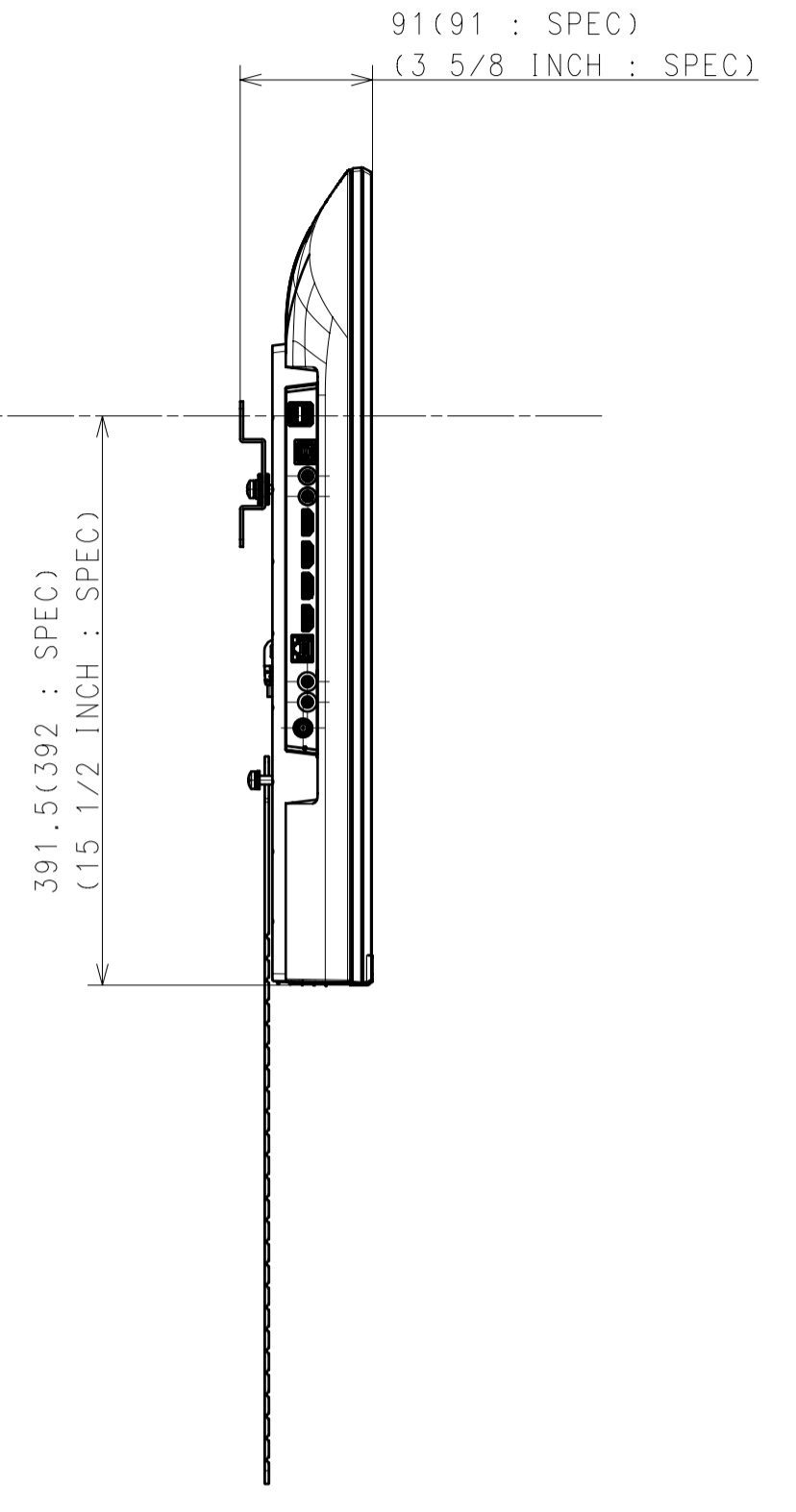
SU-WL 450



STANDARD



SLIM



SONY STANDARD

DESCRIPTION 1	LEGAL OWNER	SCALE
43(X80K) EXTERIOR VIEW	Sony Corporation	1:5
DESCRIPTION 2	PART NO.	SHEET/PAGES
43(X80K) EXTERIOR VIEW		4 / 4