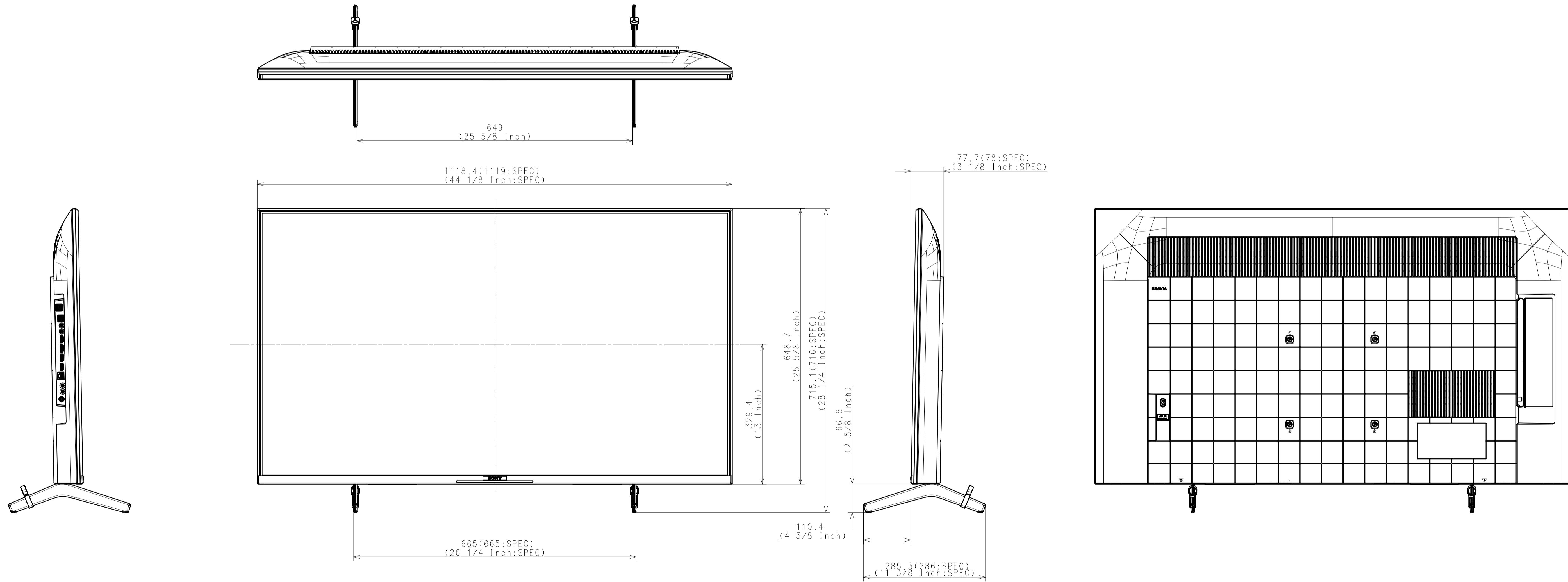


Area	JAPAN	NORTH AMERICA	LATIN AMERICA	EUROPE	EUROPE DERIVATIVE 1	GENERAL AREA	
Model Name	KJ-50X80K	KD-50X80K	KD-50X80K	KD-50X80K	KD-50X82K	KD-50X80K	
SV No.	SV-40143	SV-40007	SV-40019	SV-40112	SV-40113	SV-40044	
DIMENSION	TV only (W x H x D)	111.9 x 64.9 x 7.0 cm	1119 x 649 x 70 mm / 44 1/8 x 25 5/8 x 2 7/8 inch	1119 x 649 x 70 mm	Approx. 111.9 x 64.9 x 7.0 cm	Approx. 111.9 x 64.9 x 7.0 cm	Approx. 1119 x 649 x 70 mm
	TV only with camera (WxHxD)	-	-	-	-	-	-
	TV with Stand (Standard position) (W x H x D)	111.9 x 71.6 x 28.8 cm	1119 x 715 x 286 mm / 44 1/8 x 28 1/4 x 11 3/8 inch	1119 x 715 x 286 mm	Approx. 111.9 x 71.6 x 28.8 cm	Approx. 111.9 x 71.6 x 30.3 cm	Approx. 1119 x 716 x 288 mm
	TV with Stand (Narrow position) (W x H x D)	-	-	-	-	-	-
	TV with Stand (Soundbar position) (W x H x D)	-	-	-	-	-	-
	TV with Stand (Front position style) (W x H x D)	-	-	-	-	-	-
	TV with Stand (Back position style) (W x H x D)	-	-	-	-	-	-
	TV with Floor Stand (W x H x D)	-	-	-	-	-	-
	Stand Width (Standard position)	66.5 cm	665 mm / 26 1/4 inch	665 mm	Approx. 66.5 cm	Approx. 63.1 cm	Approx. 665 mm
	Stand Width (Narrow position)	-	-	-	-	-	-
	Stand Width (Soundbar position)	-	-	-	-	-	-
Stand Width (Front position style)	-	-	-	-	-	-	
Stand Width (Back position style)	-	-	-	-	-	-	
Floor Stand Width	-	-	-	-	-	-	
VESA Hole Pitch	20.0 x 20.0 cm	200 x 200 mm / 7 7/8 x 7 7/8 inch	200 x 200 mm	20.0 x 20.0 cm	20.0 x 20.0 cm	200 x 200 mm	
TV Only	12.4 kg	12.4 kg / 27.4 lb	12.4 kg	Approx. 12.4 kg	Approx. 12.4 kg	Approx. 12.4 kg	
TV with Stand (Standard position)	13 kg	13 kg / 28.7 lb	13 kg	Approx. 13 kg	Approx. 15.4 kg	Approx. 13 kg	
TV with Stand (Narrow position)	-	-	-	-	-	-	
TV with Stand (Soundbar position)	-	-	-	-	-	-	
TV with Stand (Front/Back position style)	-	-	-	-	-	-	
TV with Floor Stand	-	-	-	-	-	-	
Floor Stand weight (Supply)	-	-	-	-	-	-	
W-M't Br. Weight (Supply)	-	-	-	-	-	-	
Remarks		Main Stand(APH)	Main Stand(APH)		Center Stand		

WITH STAND

MAIN STAND
STANDARD POSITION
Except KD-50X82K(EUROPE DERIVATIVE 1) &
KD-50X80K(NORTH AMERICA, LATIN AMERICA)

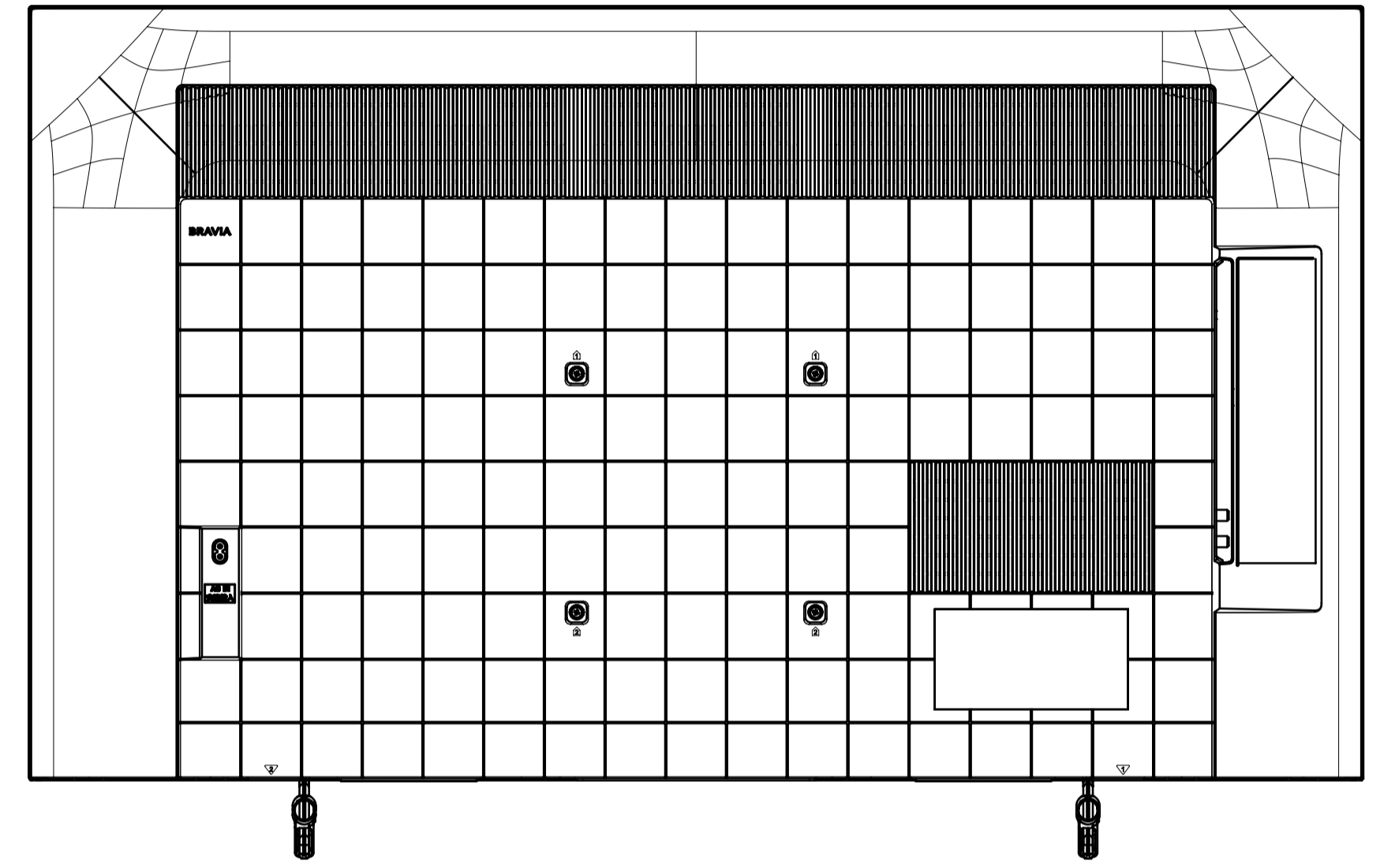
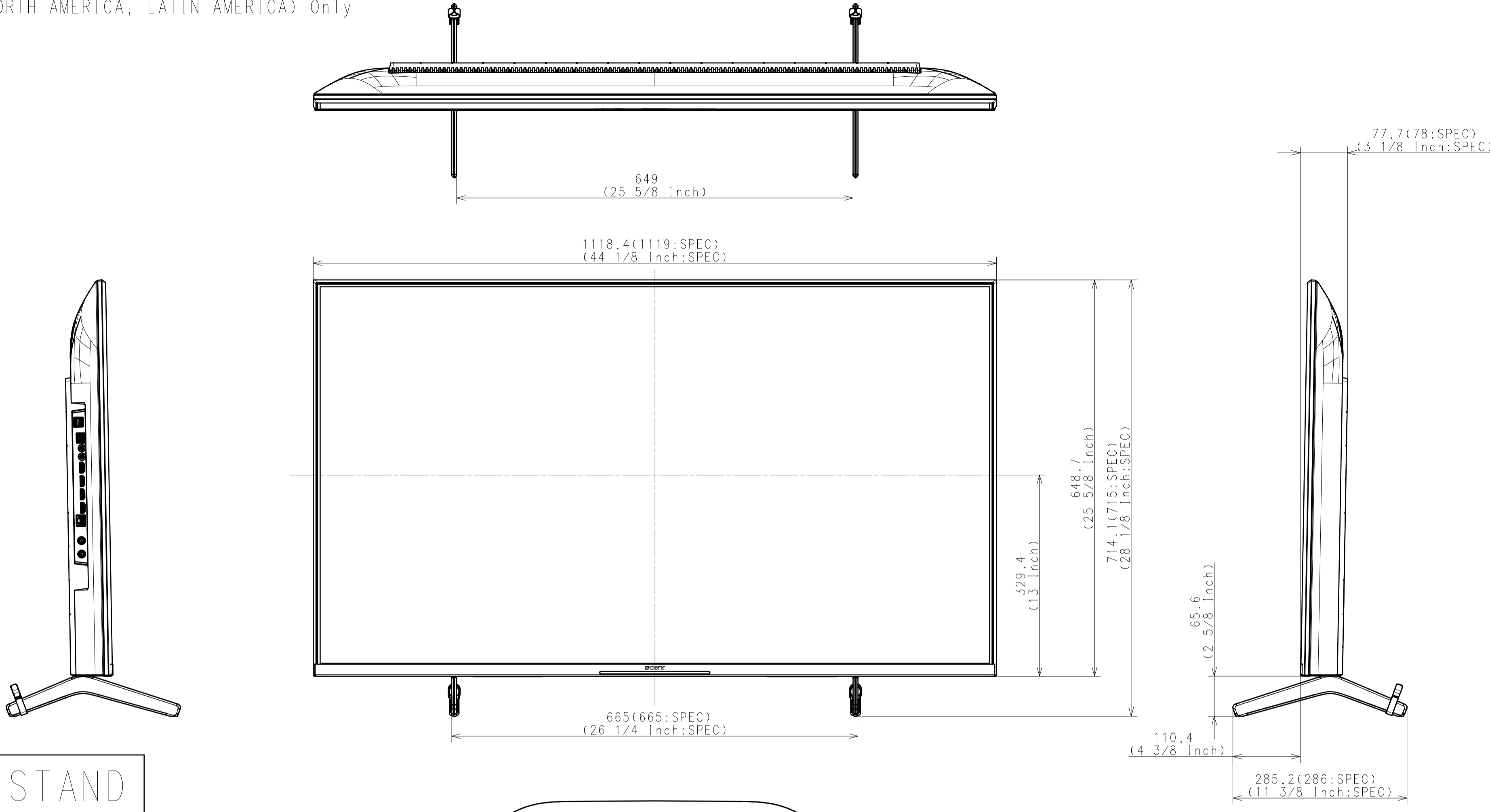


Purchase recycled resins and wire rods only from the business partners that Sony approves as Green Partners.
再生樹脂・鋼線鋼材はグリーンパートナー 認定製品からの調達を促すこと。

DATE OF ISSUE	DOCUMENT TYPE	GENERAL TOLERANCE	FINISH(COLOR)																																							
2021.10.08	ASSEMBLY DRAWING																																									
<table border="1"> <tr> <td>HISTORY</td> <td>SUFFIX</td> <td>RELEASE NO.</td> <td>REVISION</td> <td>SIGN.</td> </tr> <tr> <td>1</td> <td></td> <td></td> <td></td> <td></td> </tr> </table>				HISTORY	SUFFIX	RELEASE NO.	REVISION	SIGN.	1																																	
HISTORY	SUFFIX	RELEASE NO.	REVISION	SIGN.																																						
1																																										
<table border="1"> <tr> <td>RESPONSIBLE DEPARTMENT</td> <td>ORIGINAL MODEL</td> <td>DESCRIPTION</td> </tr> <tr> <td>PLANE & MECHANICAL DESIGN</td> <td>50(X80K)</td> <td>50(X80K) EXTERIOR VIEW</td> </tr> <tr> <td>PLANNED BY</td> <td>TENTATIVE MODEL</td> <td>DESCRIPTION</td> </tr> <tr> <td>2021.10.08</td> <td>50(X80K)</td> <td>50(X80K) EXTERIOR VIEW</td> </tr> <tr> <td>DRAWN BY</td> <td>SCALE</td> <td>SIZE</td> </tr> <tr> <td>2021.10.08</td> <td>1:5</td> <td>A1</td> </tr> <tr> <td>Yasuko Takaki</td> <td>PROJ. METHOD</td> <td>UNIT</td> </tr> <tr> <td></td> <td></td> <td>mm</td> </tr> <tr> <td></td> <td></td> <td>PART NO.</td> </tr> <tr> <td></td> <td></td> <td>SUFFIX</td> </tr> <tr> <td></td> <td></td> <td>REV. NO.</td> </tr> <tr> <td></td> <td></td> <td>SHEET/PAGES</td> </tr> <tr> <td></td> <td></td> <td>1 / 4</td> </tr> </table>				RESPONSIBLE DEPARTMENT	ORIGINAL MODEL	DESCRIPTION	PLANE & MECHANICAL DESIGN	50(X80K)	50(X80K) EXTERIOR VIEW	PLANNED BY	TENTATIVE MODEL	DESCRIPTION	2021.10.08	50(X80K)	50(X80K) EXTERIOR VIEW	DRAWN BY	SCALE	SIZE	2021.10.08	1:5	A1	Yasuko Takaki	PROJ. METHOD	UNIT			mm			PART NO.			SUFFIX			REV. NO.			SHEET/PAGES			1 / 4
RESPONSIBLE DEPARTMENT	ORIGINAL MODEL	DESCRIPTION																																								
PLANE & MECHANICAL DESIGN	50(X80K)	50(X80K) EXTERIOR VIEW																																								
PLANNED BY	TENTATIVE MODEL	DESCRIPTION																																								
2021.10.08	50(X80K)	50(X80K) EXTERIOR VIEW																																								
DRAWN BY	SCALE	SIZE																																								
2021.10.08	1:5	A1																																								
Yasuko Takaki	PROJ. METHOD	UNIT																																								
		mm																																								
		PART NO.																																								
		SUFFIX																																								
		REV. NO.																																								
		SHEET/PAGES																																								
		1 / 4																																								

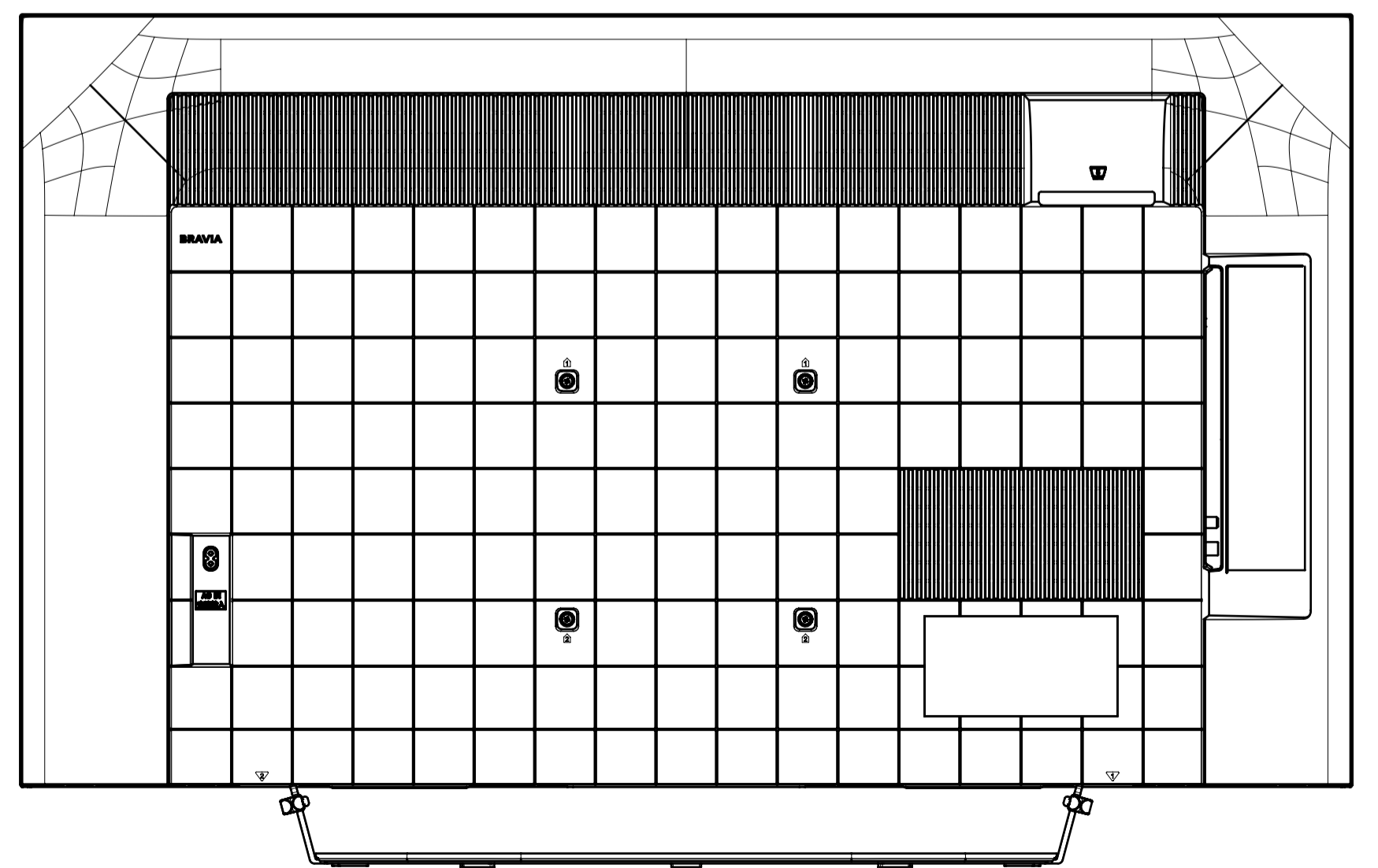
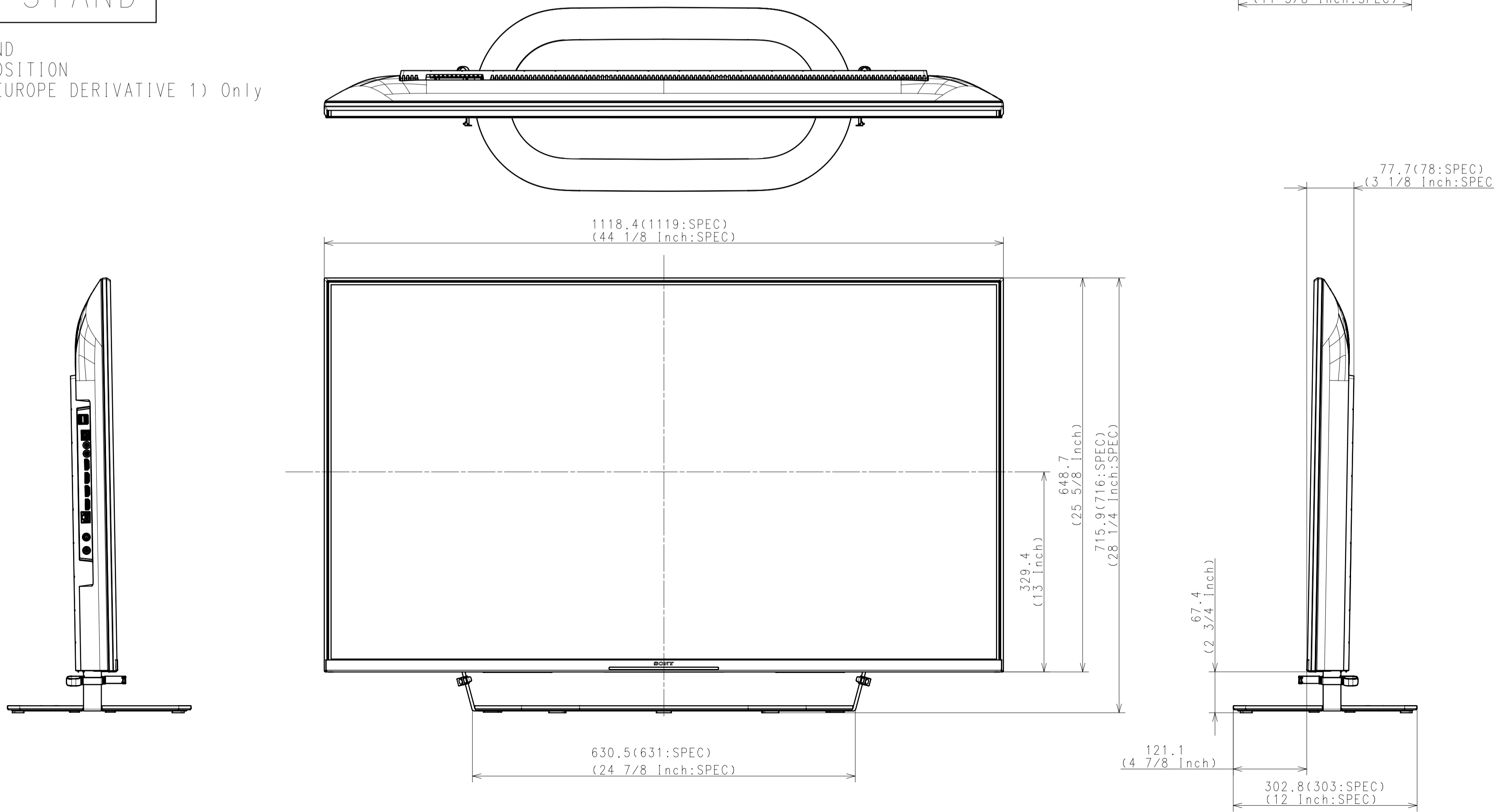
WITH STAND

MAIN STAND (APH)
STANDARD POSITION
KD-50X80K (NORTH AMERICA, LATIN AMERICA) Only



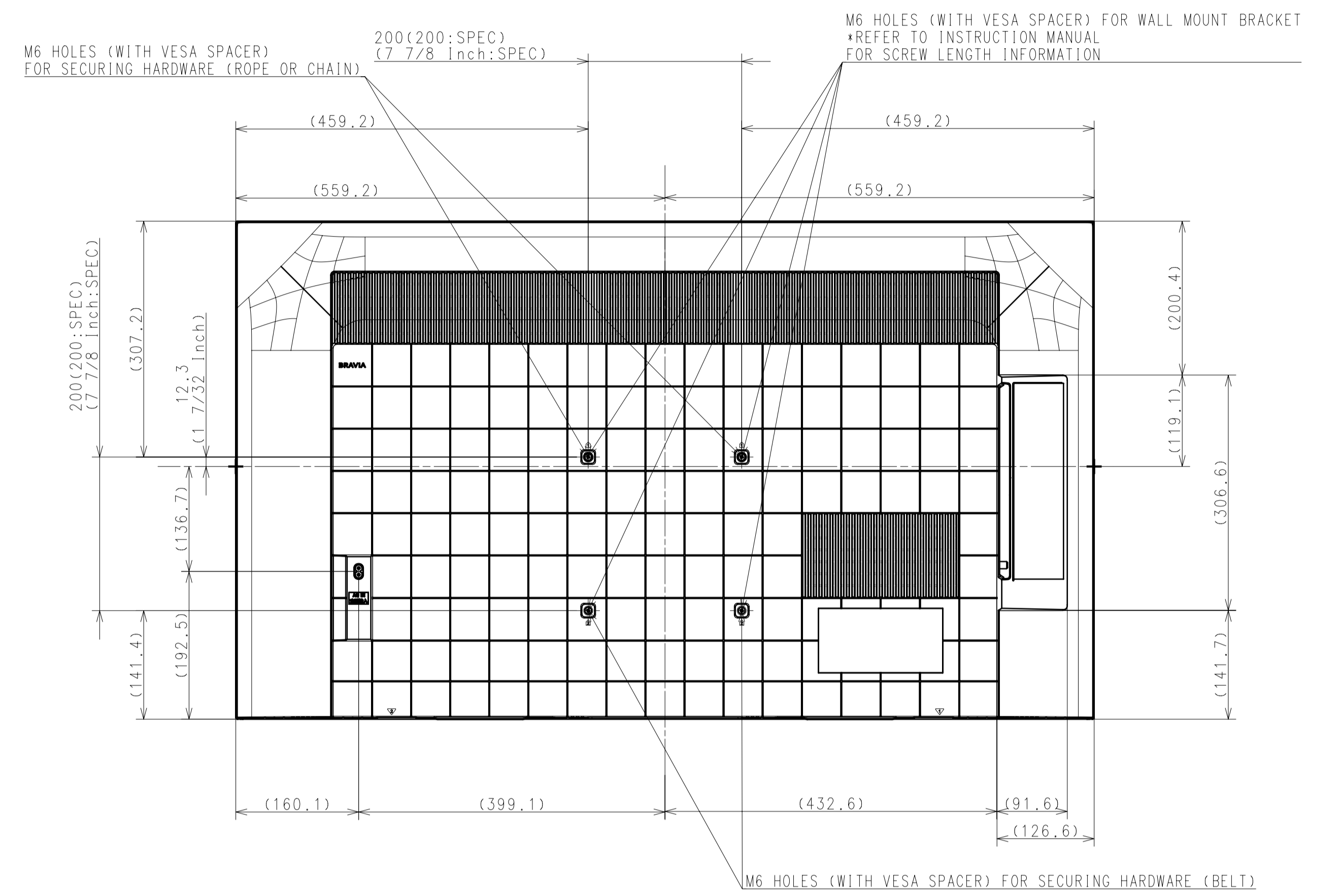
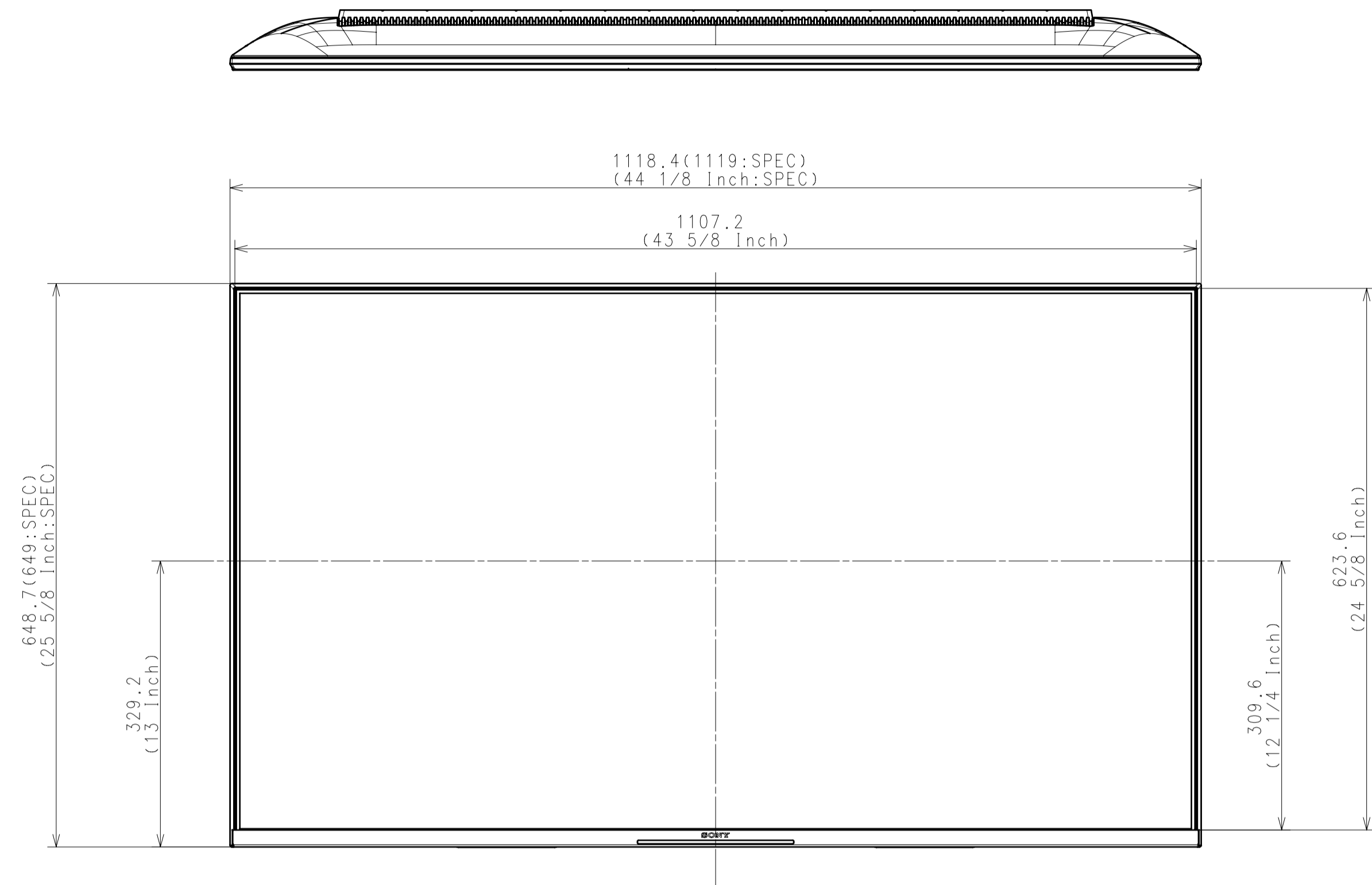
WITH STAND

CENTER STAND
STANDARD POSITION
KD-50X82K (EUROPE DERIVATIVE 1) Only

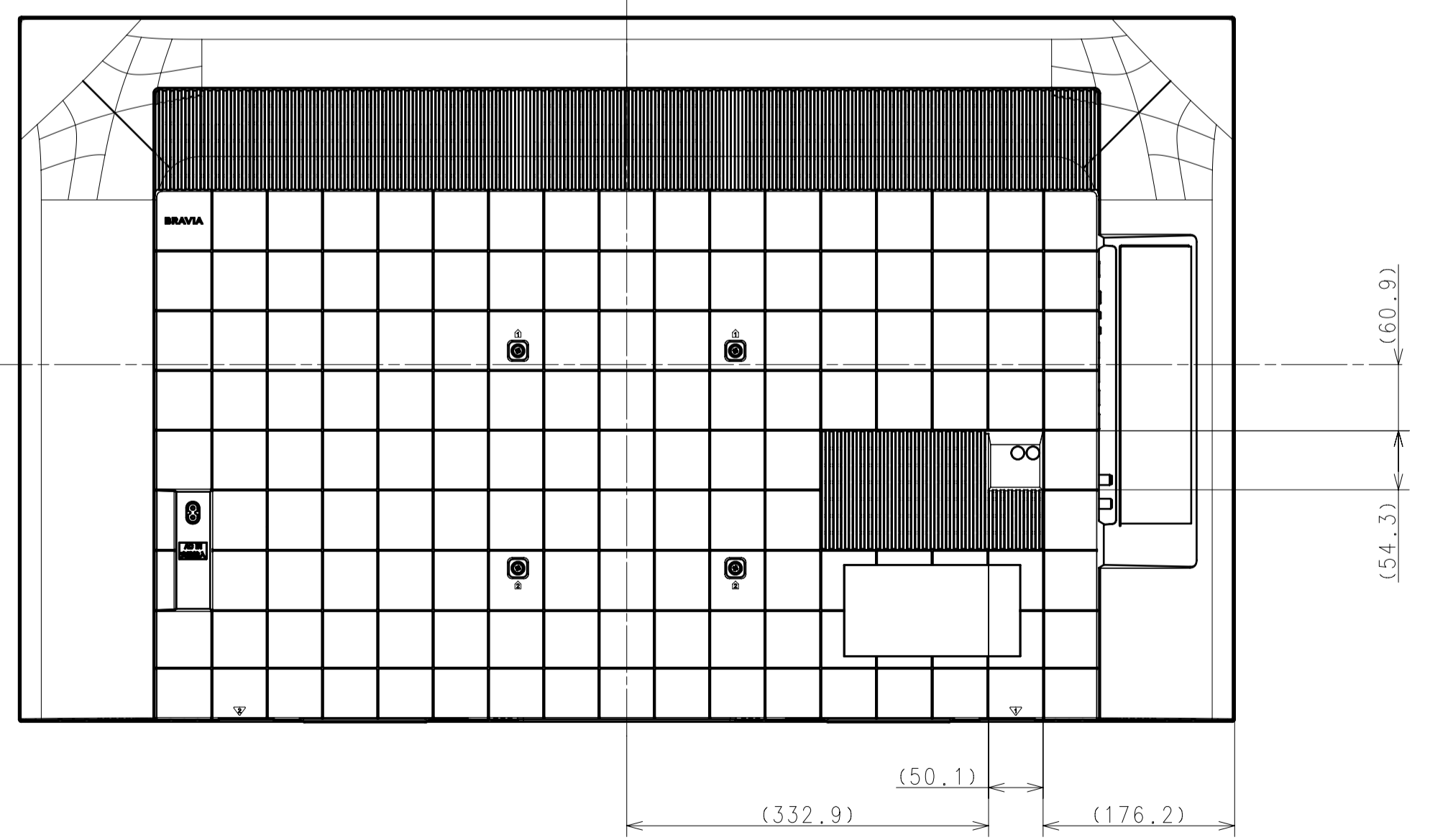


DESCRIPTION 1	LEGAL OWNER	SCALE
50(X80K) EXTERIOR VIEW	Sony Corporation	1:5
DESCRIPTION 2	PART NO.	SHEET/PAGES
50(X80K) EXTERIOR VIEW		2 / 4

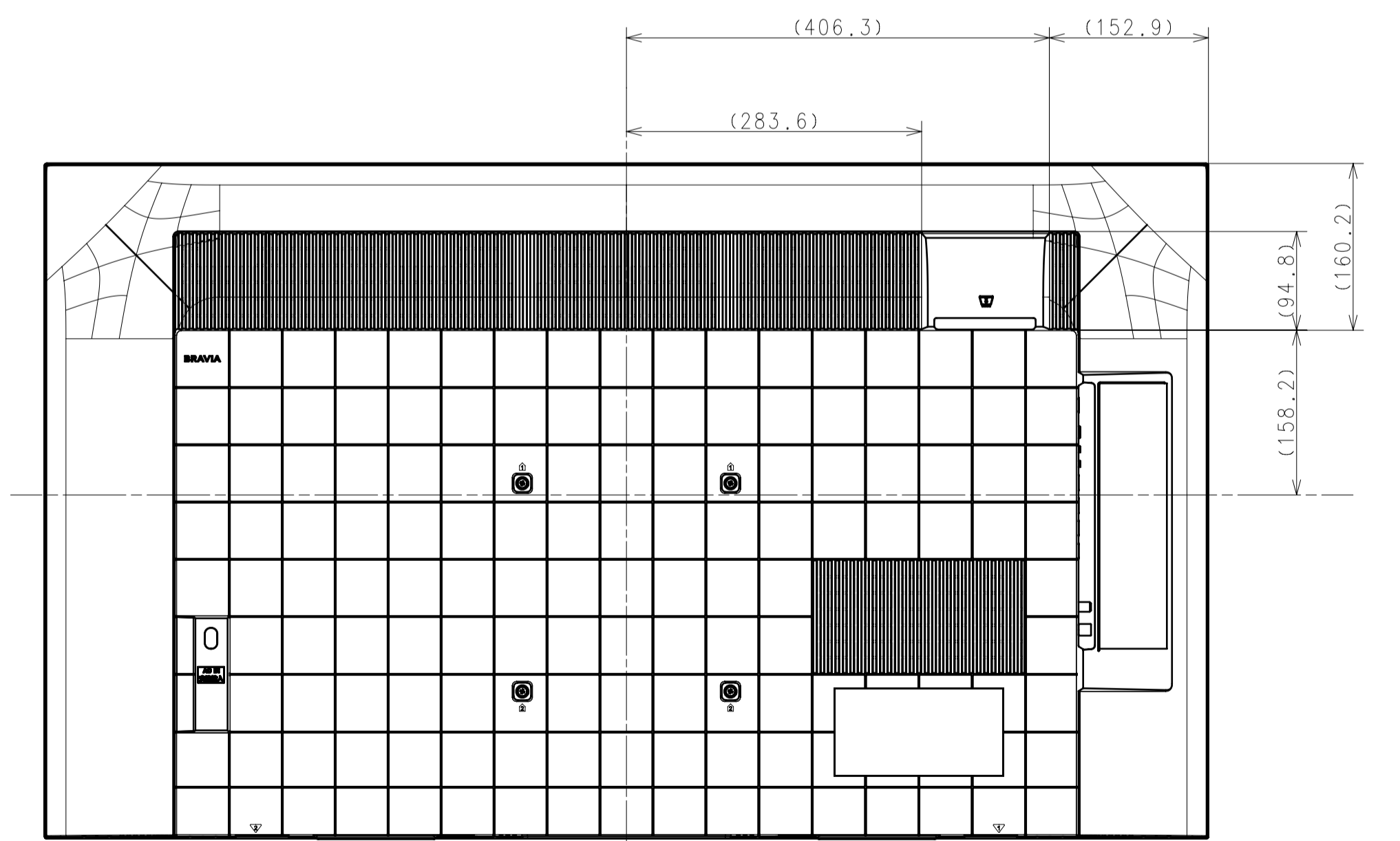
WITHOUT STAND



For GENERAL AREA, NORTH AMERICA, LATIN AMERICA



For JAPAN



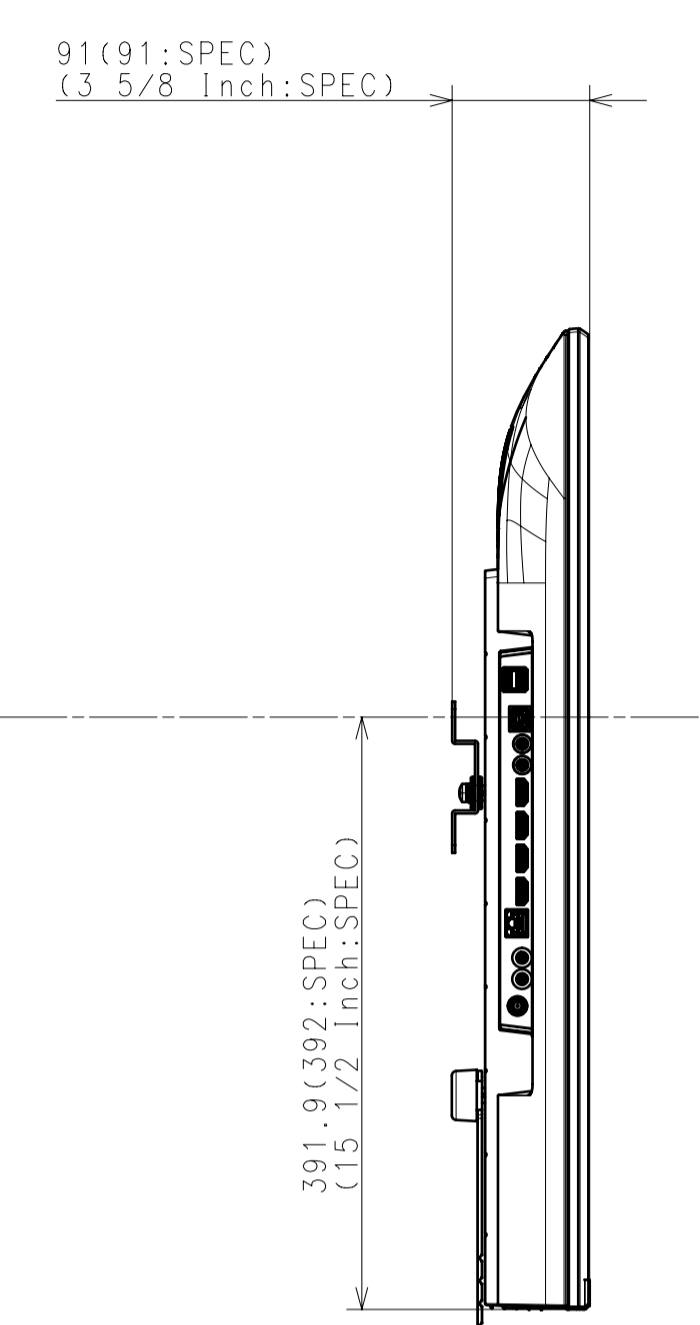
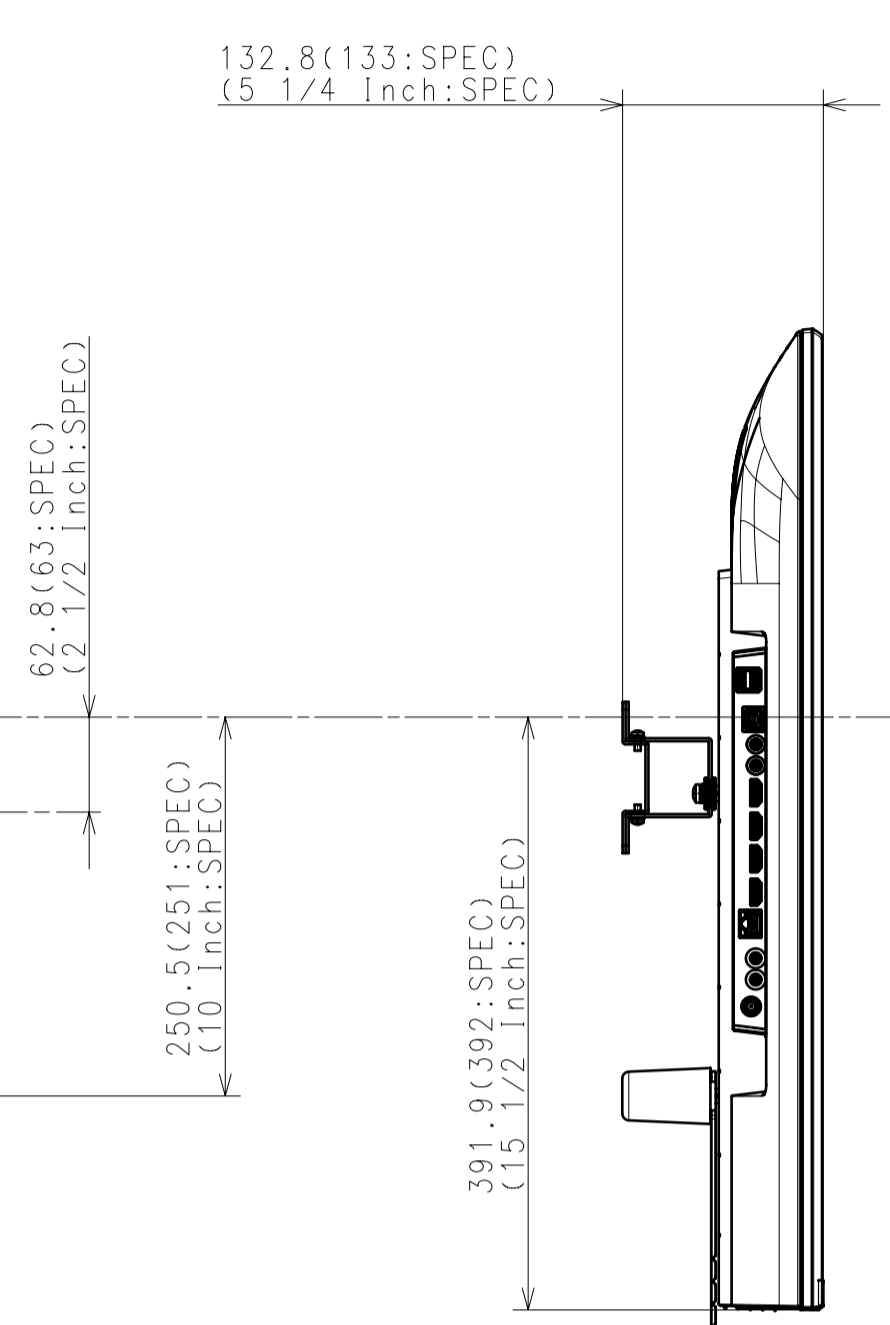
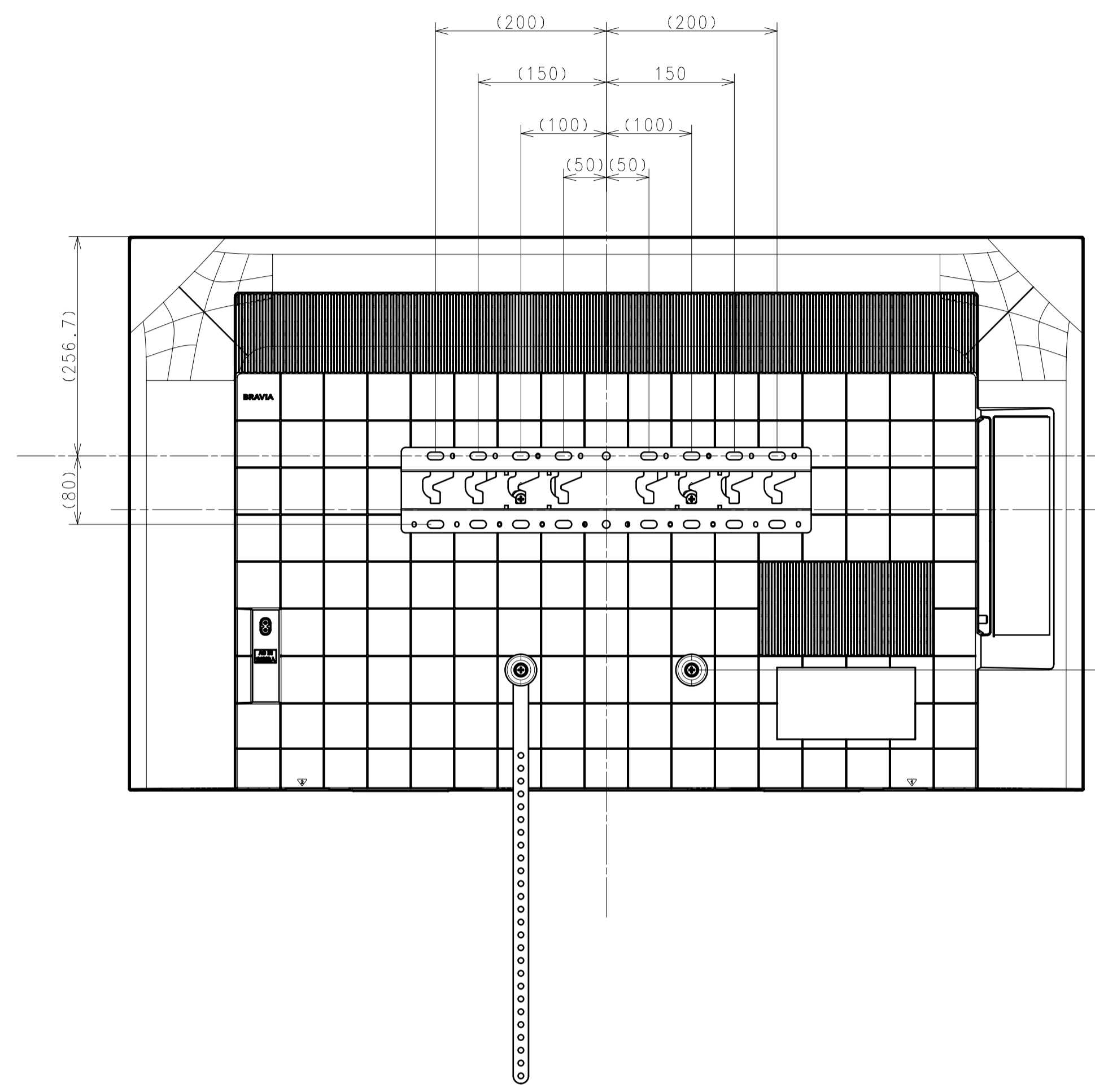
For EUROPE

DESCRIPTION	LEGAL OWNER	SCALE
50(X80K) EXTERIOR VIEW	Sony Corporation	1:5
50(X80K) EXTERIOR VIEW	PART NO.	SHEET/PAGES
		3 / 4

SU-WL450

STANDARD

SLIM



SONY STANDARD

DESCRIPTION 01	LEGAL OWNER	SCALE
50(X80K) EXTERIOR VIEW	Sony Corporation	1:5
DESCRIPTION 02	PART NO.	SHEET/PAGES
50(X80K) EXTERIOR VIEW		4 / 4