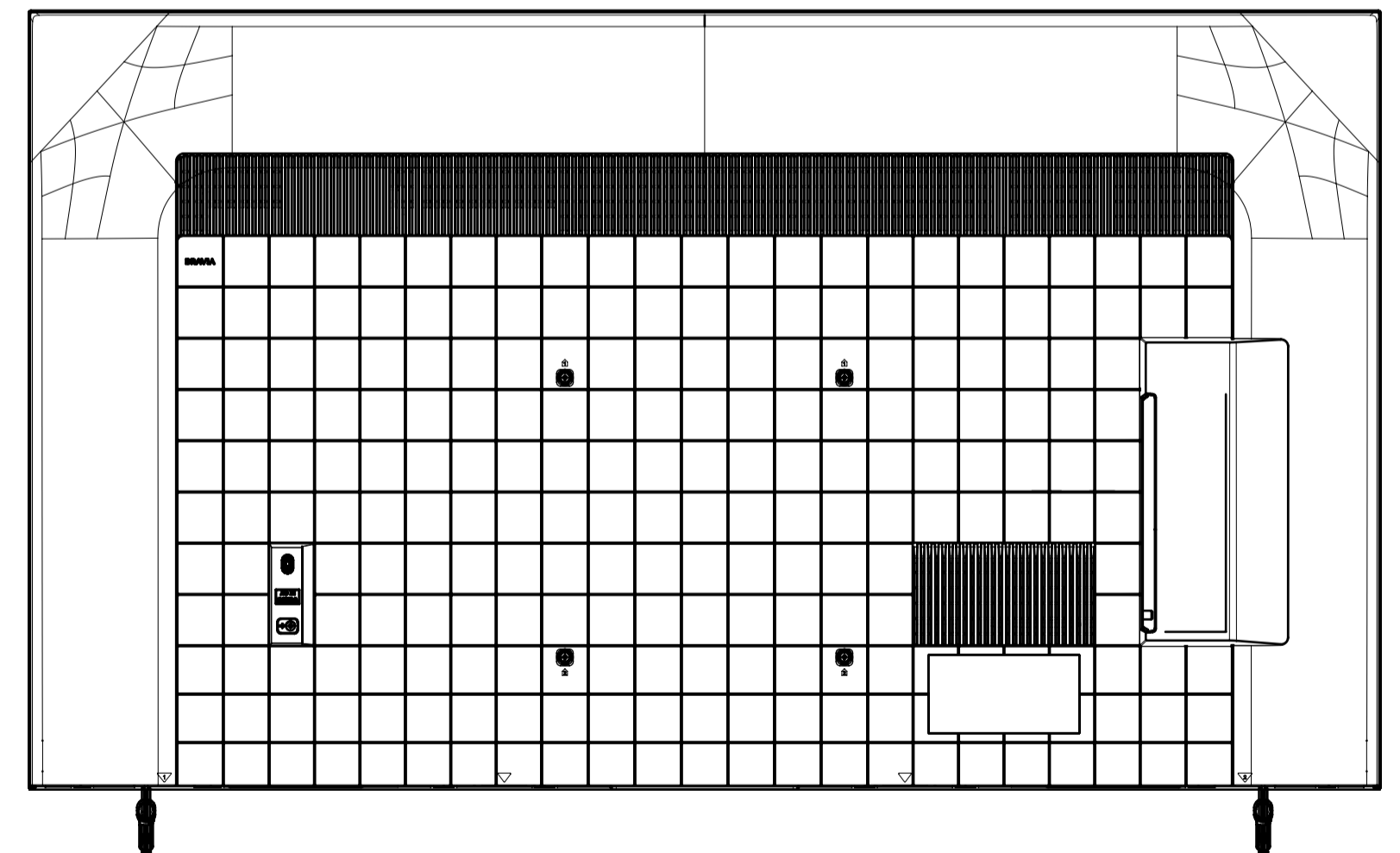
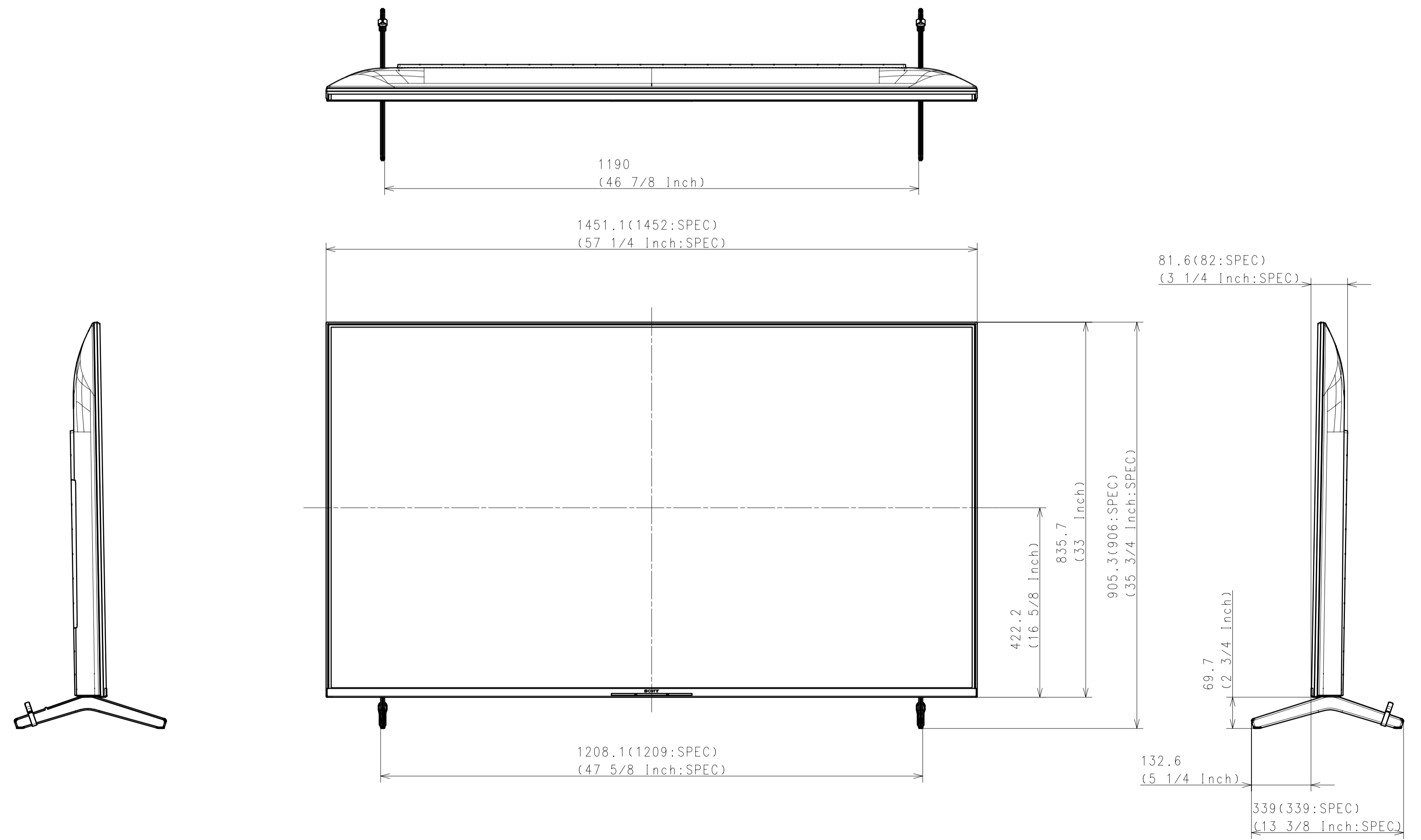


Area	JAPAN	NORTH AMERICA	LATIN AMERICA	EUROPE	EUROPE 2	EUROPE DERIVATIVE 1	GENERAL AREA	CHINA	
Model Name	KJ-65X80K	KD-65X80K	KD-65X80K	KD-65X80K	KD-65X81K	KD-65X82K	KD-65X80K	KD-65X80K	
SV No.	SV-40386	SV-40005	SV-40017	SV-40104	SV-40325	SV-40105	SV-40036	SV-40091	
DIMENSION	TV only (W x H x D)	145.2 x 83.6 x 7.2 cm	1452 x 836 x 72 mm / 57 1/4 x 33 x 2 7/8 inch	1452 x 836 x 72 mm	Approx. 145.2 x 83.6 x 7.2 cm	Approx. 145.2 x 83.6 x 7.2 cm	Approx. 145.2 x 83.6 x 7.2 cm	Approx. 1452 x 836 x 72 mm	Approx. 1452 x 836 x 72 mm
	TV only with camera (WxHxD)	-	-	-	-	-	-	-	-
	TV with Stand (Standard position) (W x H x D)	145.2 x 90.6 x 33.9 cm	1452 x 905 x 338 mm / 57 1/4 x 35 3/4 x 13 3/8 inch	1452 x 905 x 338 mm	Approx. 145.2 x 90.6 x 33.9 cm	Approx. 145.2 x 90.6 x 33.9 cm	Approx. 145.2 x 90.8 x 32.5 cm	Approx. 1452 x 906 x 339 mm	Approx. 1452 x 906 x 339 mm
	TV with Stand (Narrow position) (W x H x D)	-	-	-	Approx. 145.2 x 90.6 x 33.9 cm	-	-	-	-
	TV with Stand (Soundbar position) (W x H x D)	-	-	-	-	-	-	-	-
	TV with Stand (Front position style) (W x H x D)	-	-	-	-	-	-	-	-
	TV with Stand (Back position style) (W x H x D)	-	-	-	-	-	-	-	-
	TV with Floor Stand (W x H x D)	-	-	-	-	-	-	-	-
	Stand Width (Standard position)	120.9 cm	1208 mm / 47 5/8 inch	1208 mm	Approx. 120.9 cm	Approx. 120.9 cm	Approx. 50.9 cm	Approx. 1209 mm	Approx. 1209 mm
	Stand Width (Narrow position)	-	-	-	Approx. 47.9 cm	-	-	-	-
	Stand Width (Soundbar position)	-	-	-	-	-	-	-	-
	Stand Width (Front position style)	-	-	-	-	-	-	-	-
	Stand Width (Back position style)	-	-	-	-	-	-	-	-
Floor Stand Width	-	-	-	-	-	-	-	-	
VESA Hole Pitch	30.0 x 30.0 cm	300 x 300 mm / 11 7/8 x 11 7/8 inch	300 x 300 mm	30.0 x 30.0 cm	30.0 x 30.0 cm	30.0 x 30.0 cm	300 x 300 mm	300 x 300 mm	
WEIGHT	TV Only	21.7 kg	21.7 kg / 47.8 lb	21.7 kg	Approx. 21.7 kg	Approx. 21.7 kg	Approx. 21.7 kg	Approx. 21.7 kg	Approx. 21.7 kg
	TV with Stand (Standard position)	22.7 kg	22.6 kg / 49.8 lb	22.6 kg	Approx. 22.7 kg	Approx. 22.7 kg	Approx. 25.2 kg	Approx. 22.7 kg	Approx. 22.7 kg
	TV with Stand (Narrow position)	-	-	-	Approx. 22.7 kg	-	-	-	-
	TV with Stand (Soundbar position)	-	-	-	-	-	-	-	-
	TV with Stand (Front/Back position style)	-	-	-	-	-	-	-	-
	TV with Floor Stand	-	-	-	-	-	-	-	-
	Floor Stand weight (Supply)	-	-	-	-	-	-	-	-
W-M't Br. Weight (Supply)	-	-	-	-	-	-	-	-	
Remarks		Main Stand(APH)	Main Stand(APH)	2way		Center Stand			

WITH STAND

MAIN STAND (STANDARD POSITION)
 Except KD-65X82K(EUROPE DERIVATIVE 1)&
 KD-65X80K(NORTH AMERICA,LATIN AMERICA)

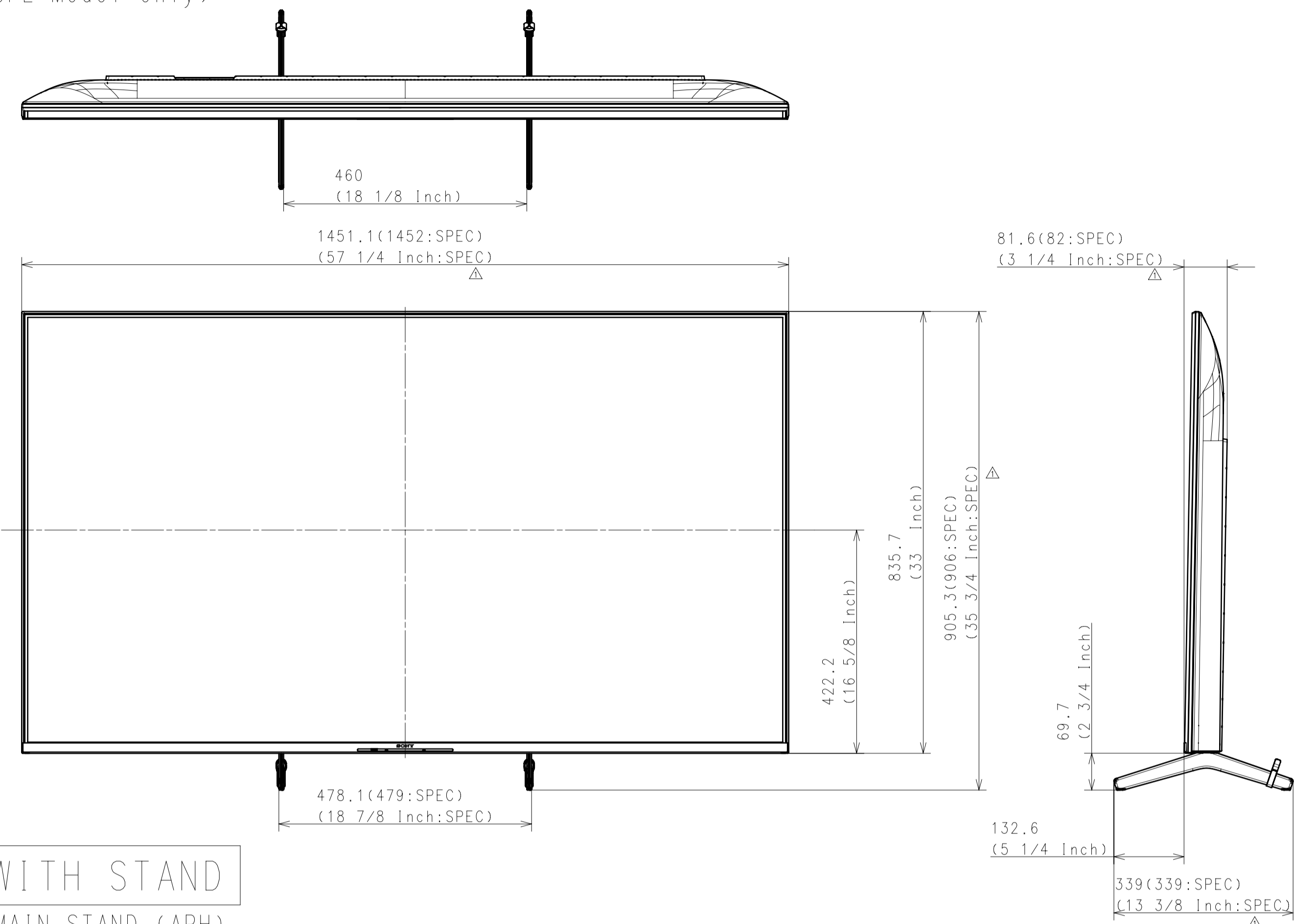


Purchase recycled resins and wire rods only from the business partners that Sony approves as Green Partners.
 再生樹脂・銅線材はグリーンパートナー 認定受注先から調達ください。

DATE OF ISSUE	2021.10.12	DOCUMENT TYPE	ASSEMBLY DRAWING
TOLERANCE		TOLERANCE	(JIS 0 (EXCEPT 0.05))
MATERIAL COLOR		FINISH COLOR	
RESPONSIBLE DEPARTMENT	PANEL & MECHANICAL DESIGN	ORIGINAL MODEL	65 (X80K) EXTERIOR VIEW
PLANNED BY	B. SAITOH	TENTATIVE MODEL	65 (X80K) EXTERIOR VIEW
SCALE	1:7	SIZE	A1
UNIT	mm	SHEET/PAGES	1/5

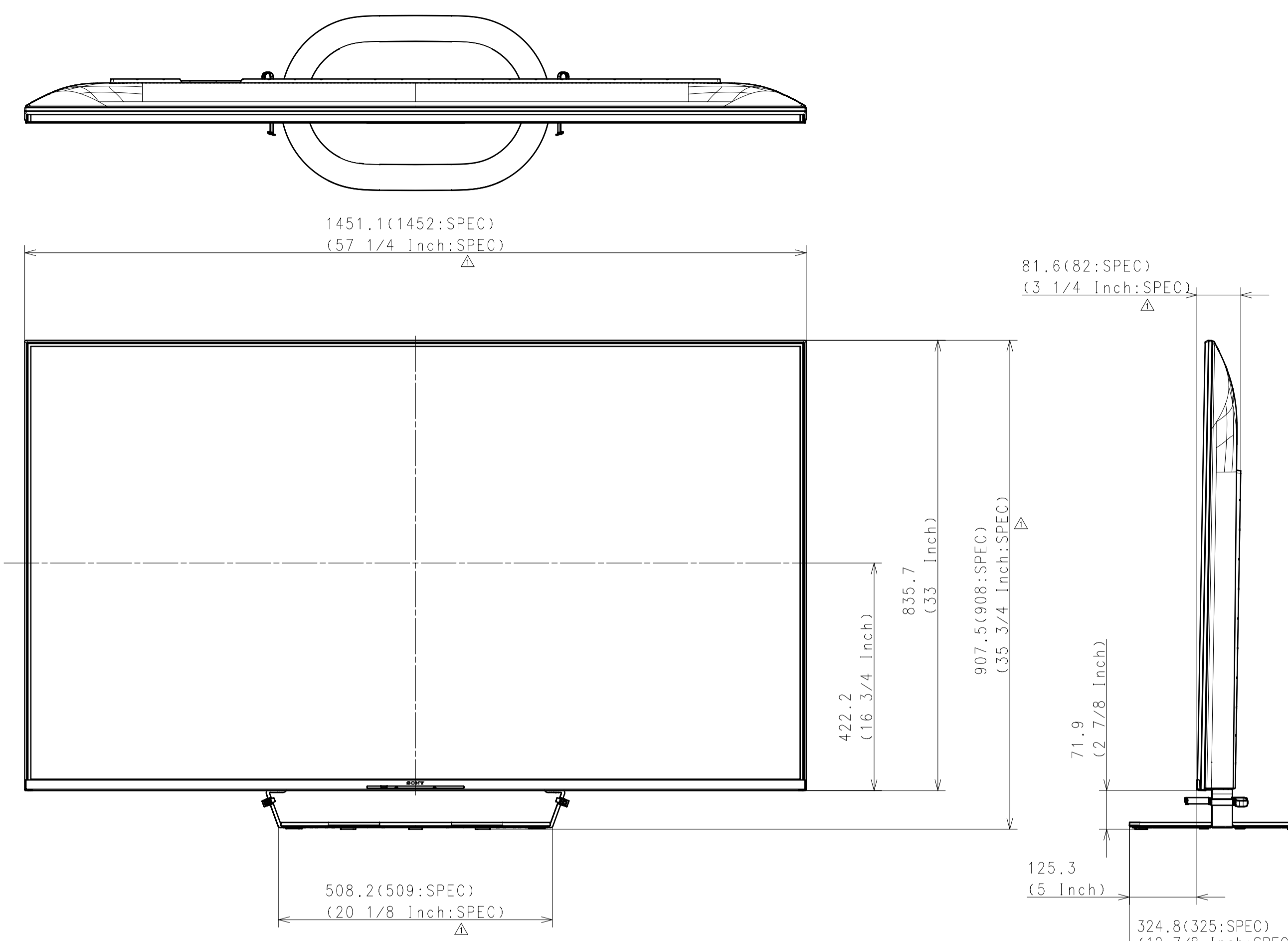
WITH STAND

NARROW POSITION
KD-65X80K
(EUROPE Model only)



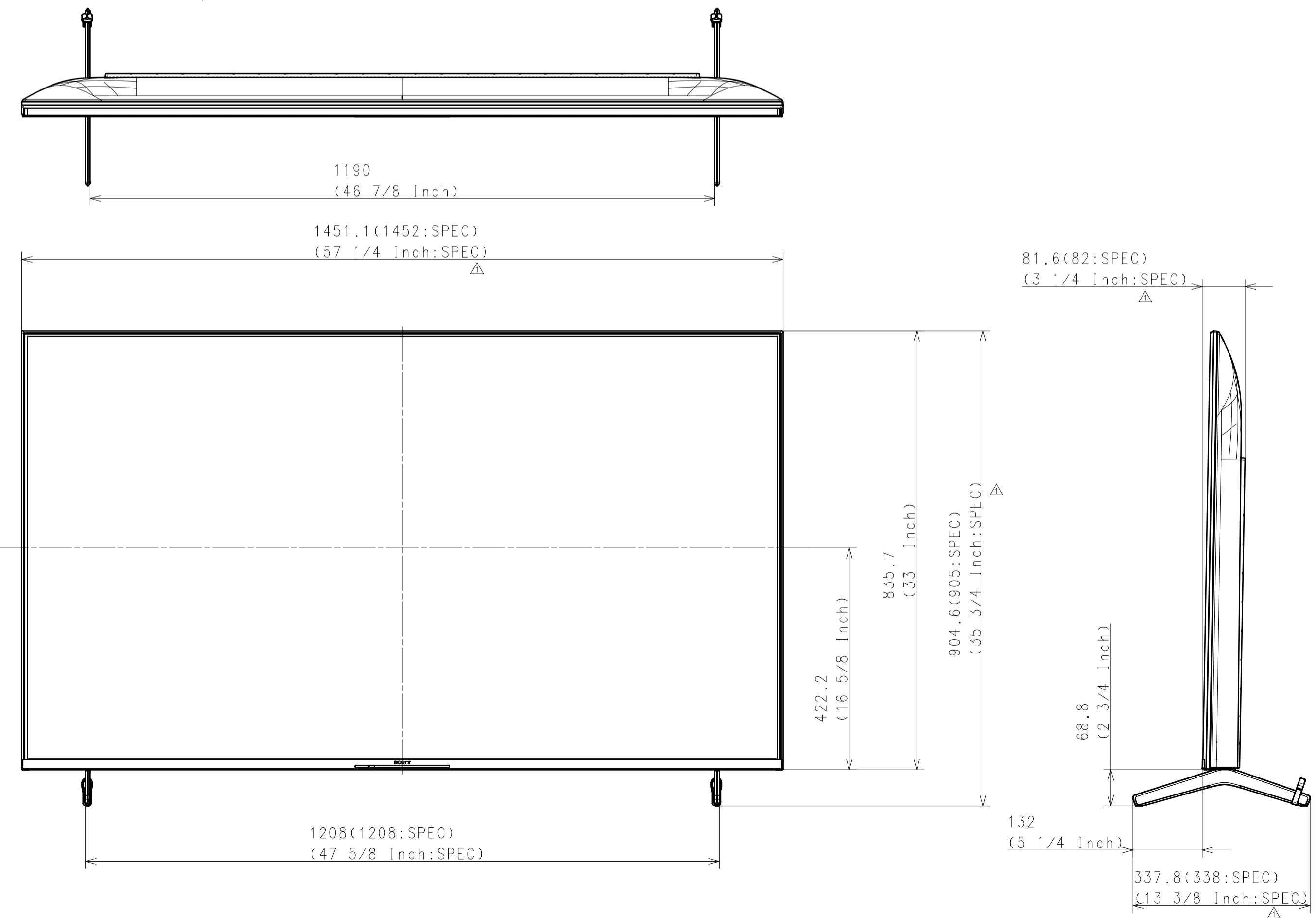
WITH STAND

CENTER POSITION
KD-65X82K(EUROPE DERIVATIVE1 only)



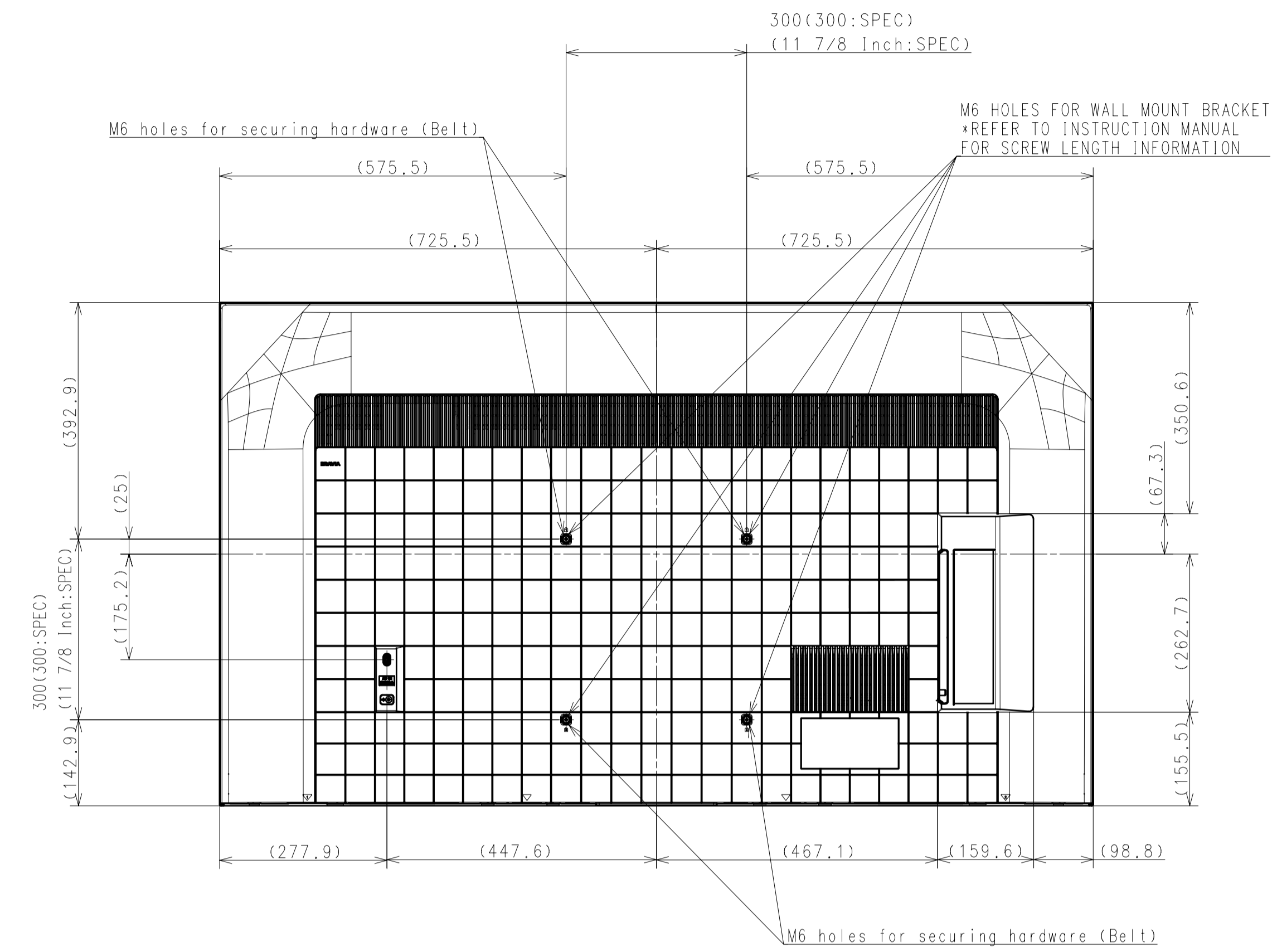
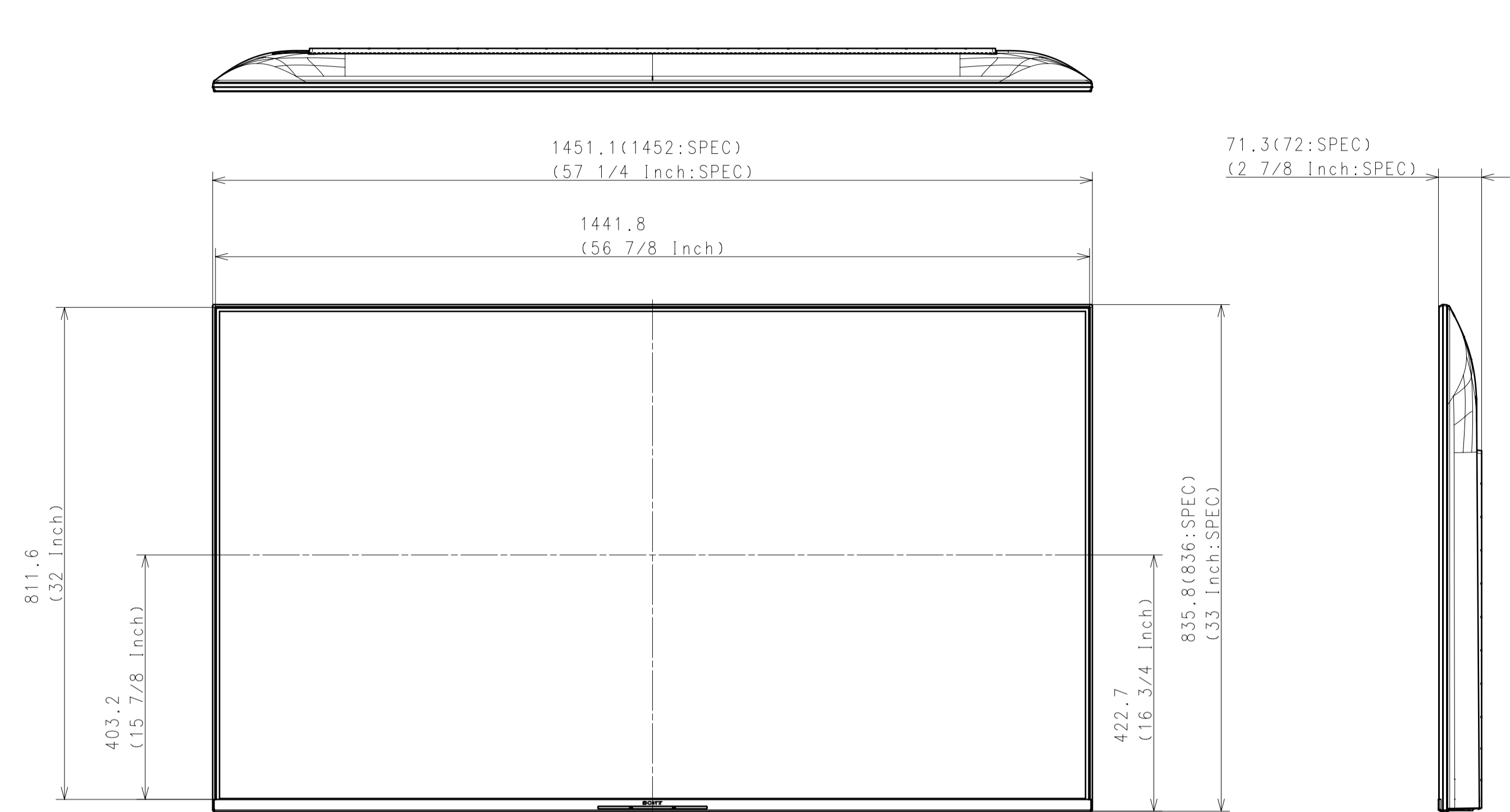
WITH STAND

MAIN STAND (APH)
STANDARD POSITION
KD-65X80K
NORTH AMERICA , LATIN AMERICA

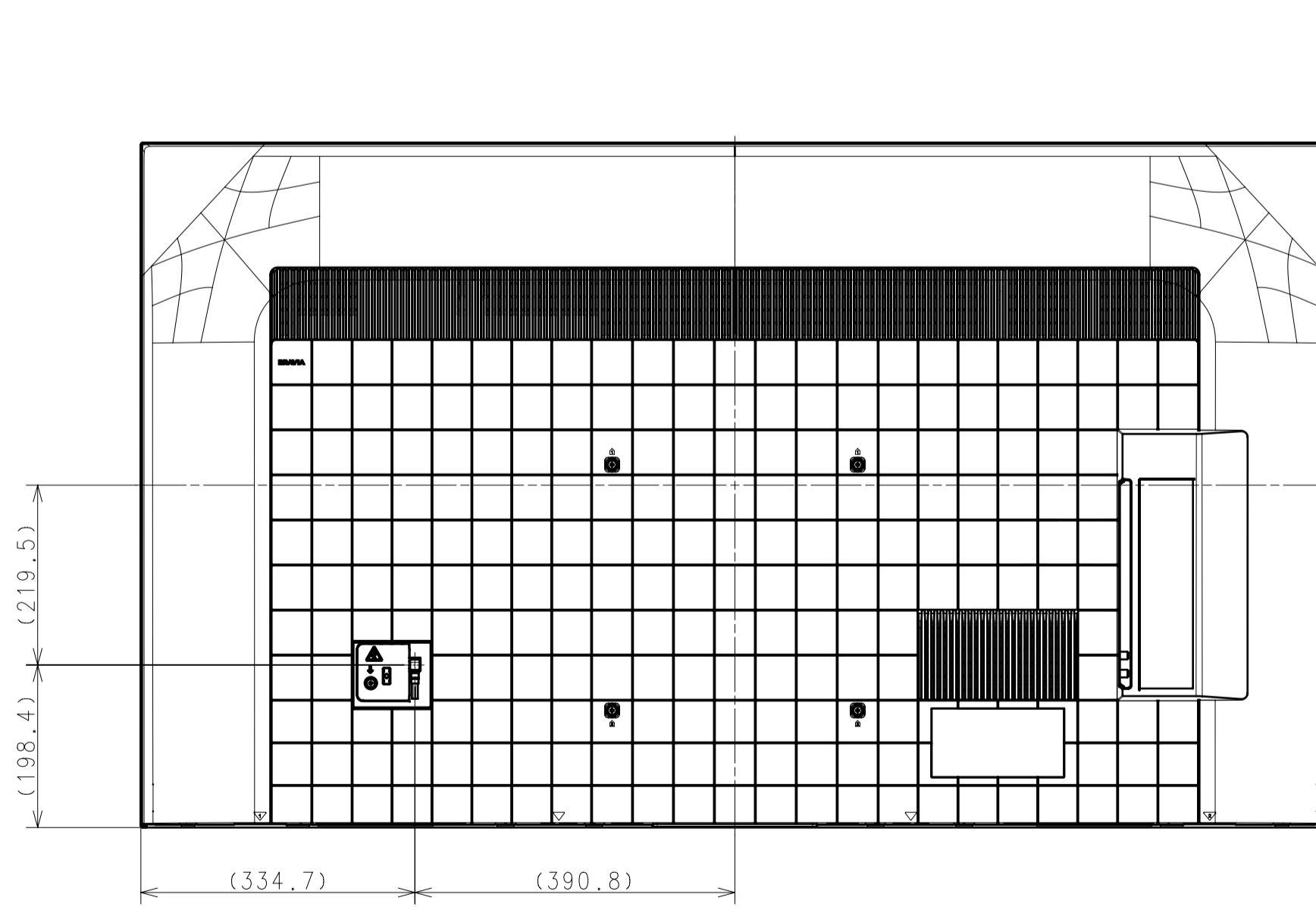


DESCRIPTION 1	LEGAL OWNER	SCALE
65 (X80K) EXTERIOR VIEW	Sony Corporation	1:7
DESCRIPTION 2	PART NO.	SHEET/PAGES
65 (X80K) EXTERIOR VIEW		2 / 5

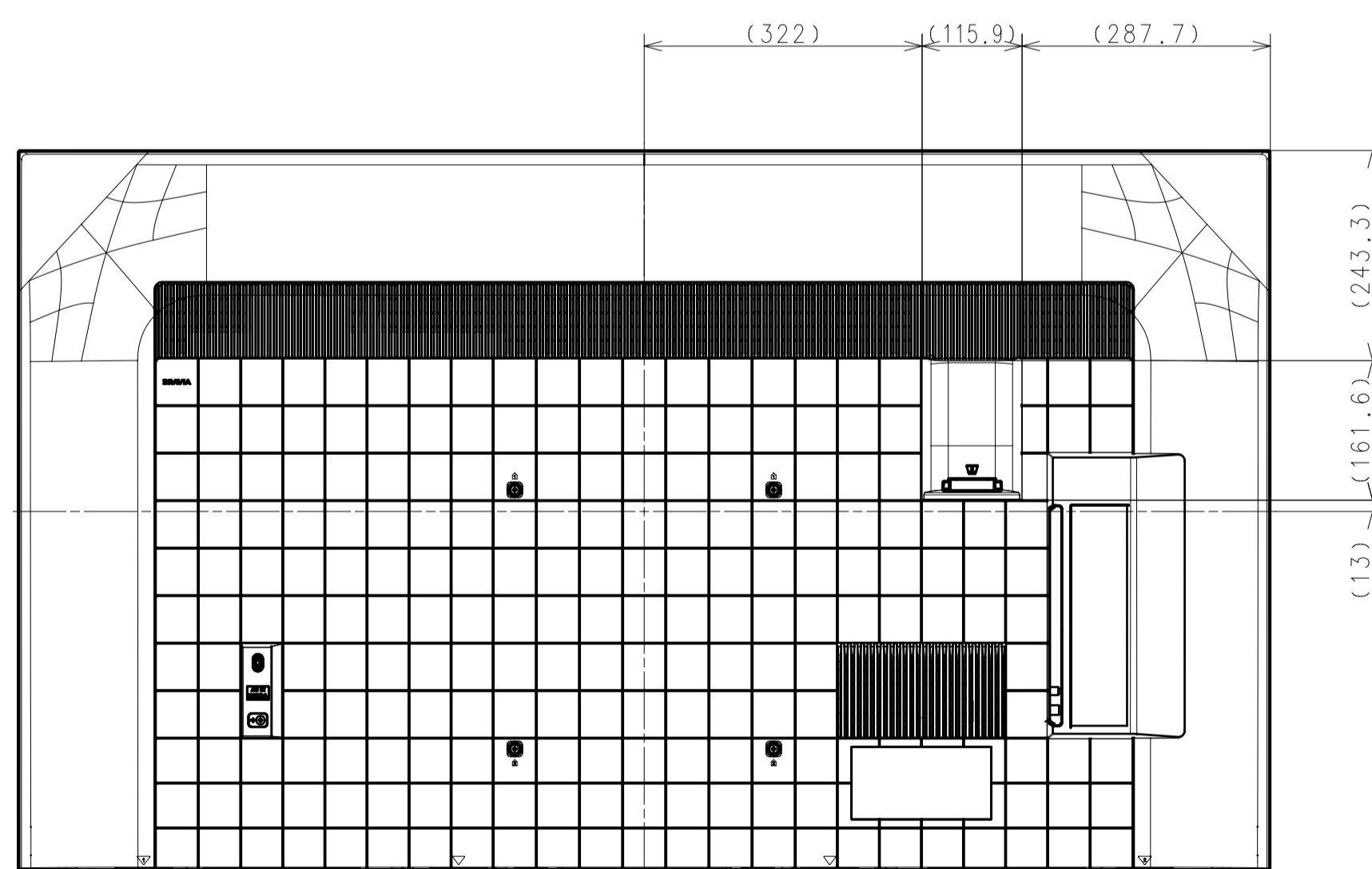
WITHOUT STAND



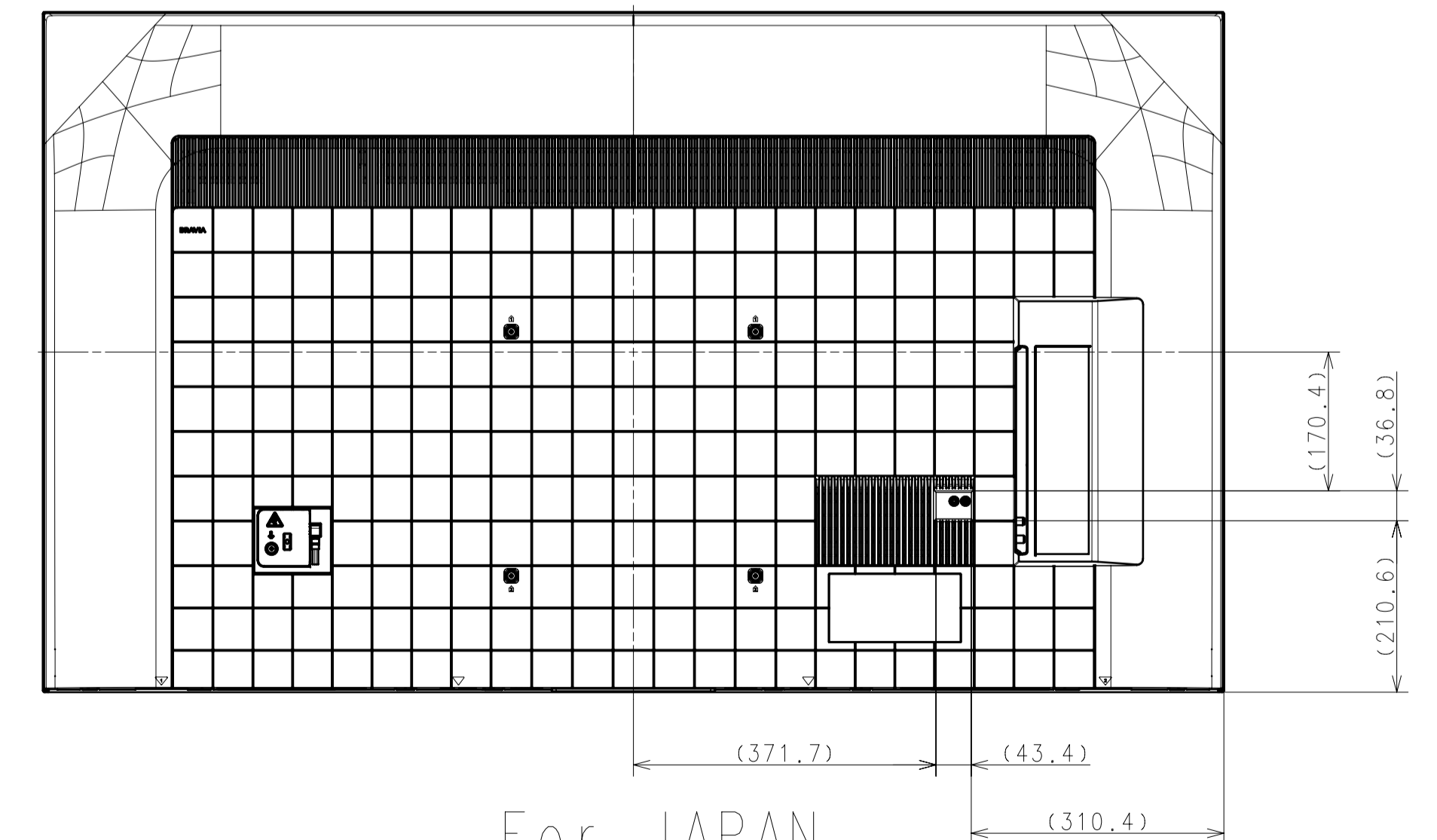
For .NORTH AMERICA, GENERAL AREA, CHINA



For .LATIN AMERICA



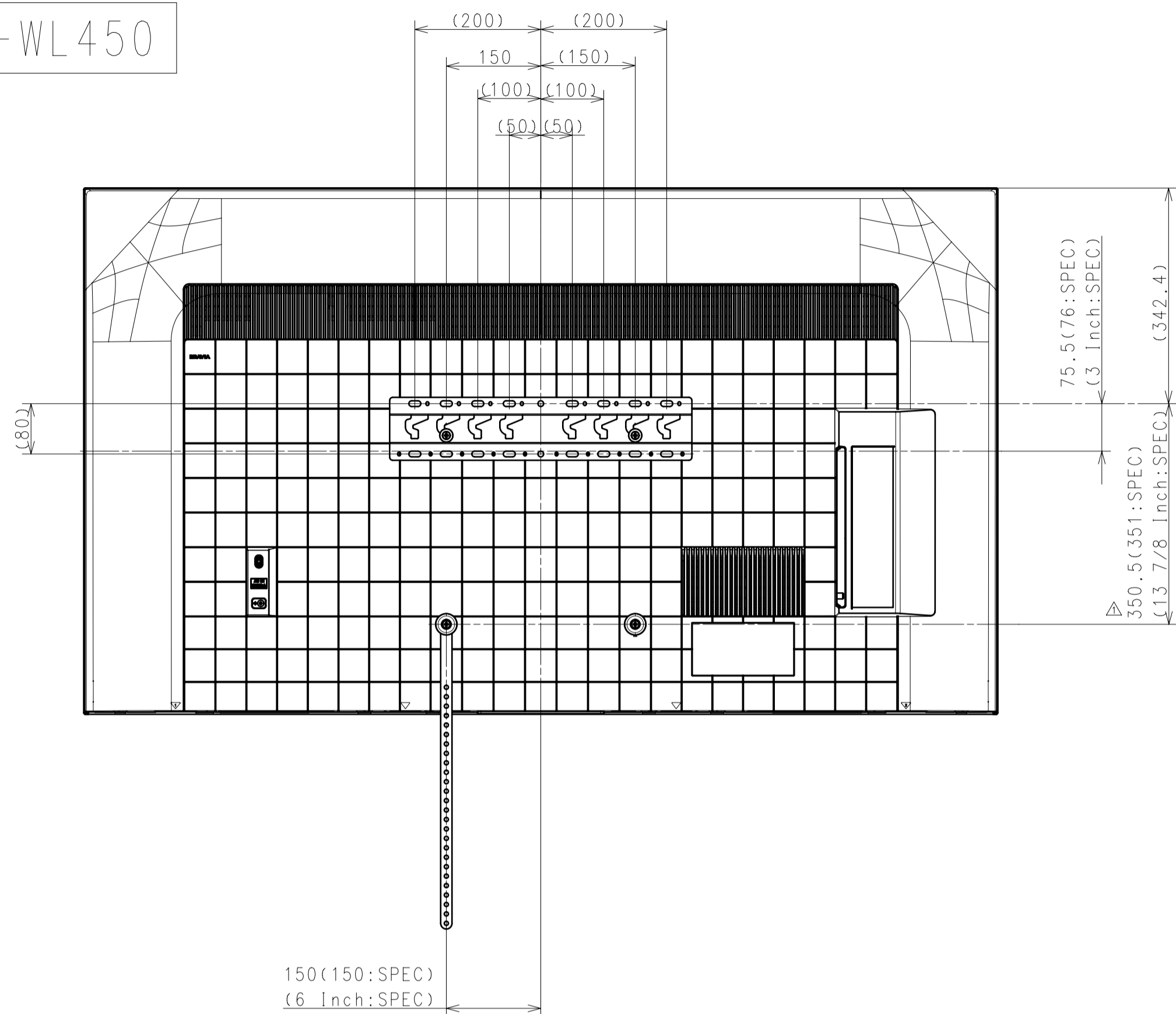
For .EUROPE



For .JAPAN

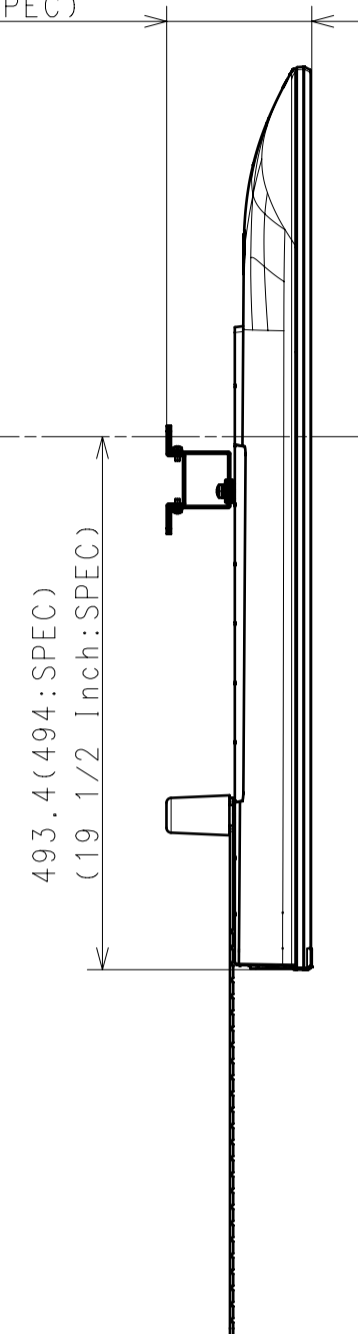
DESCRIPTION 1 65 (X80K) EXTERIOR VIEW	LEGAL OWNER Sony Corporation	SCALE 1:7
DESCRIPTION 2 65 (X80K) EXTERIOR VIEW	PART NO.	SHEET/PAGES 3 / 5

SU-WL450



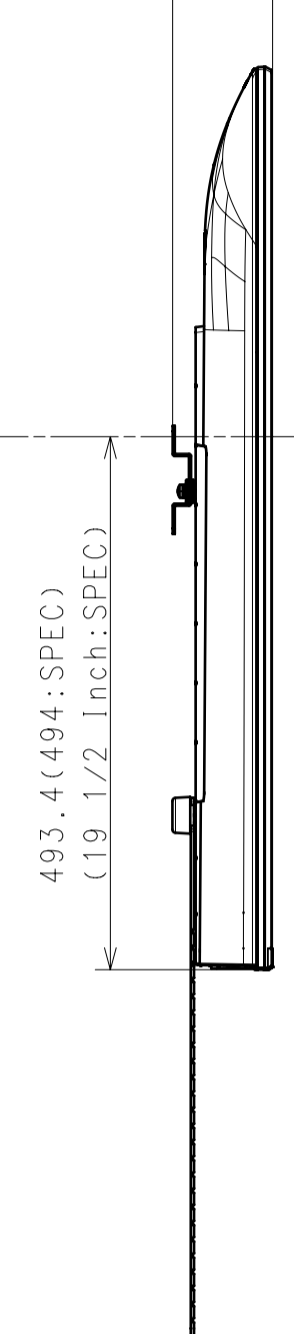
STANDARD

134.4 (135:SPEC)
(5 3/8 Inch:SPEC)



SLIM

92.6 (93:SPEC)
(3 3/4 Inch:SPEC)

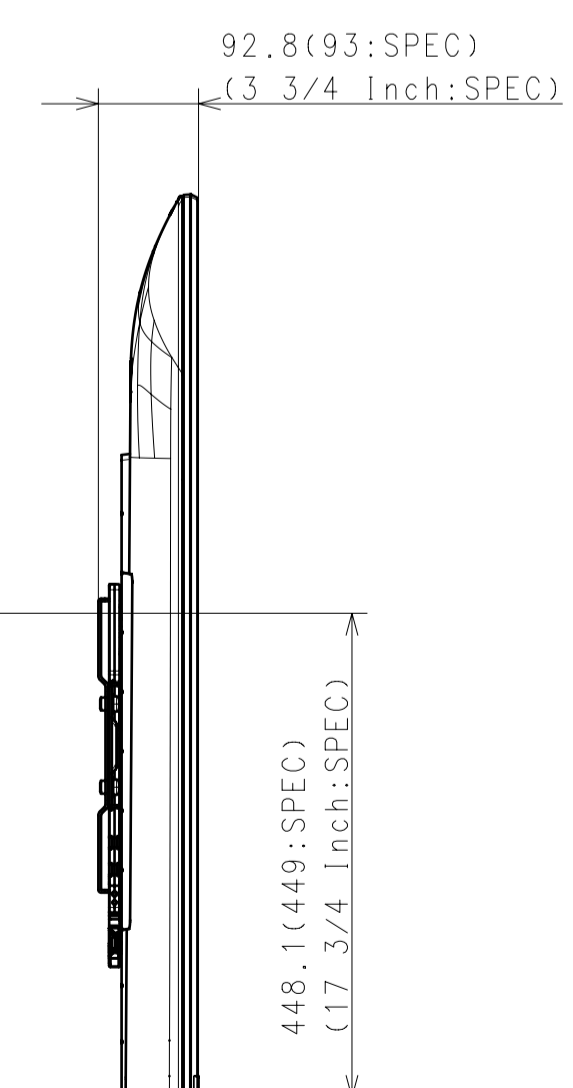
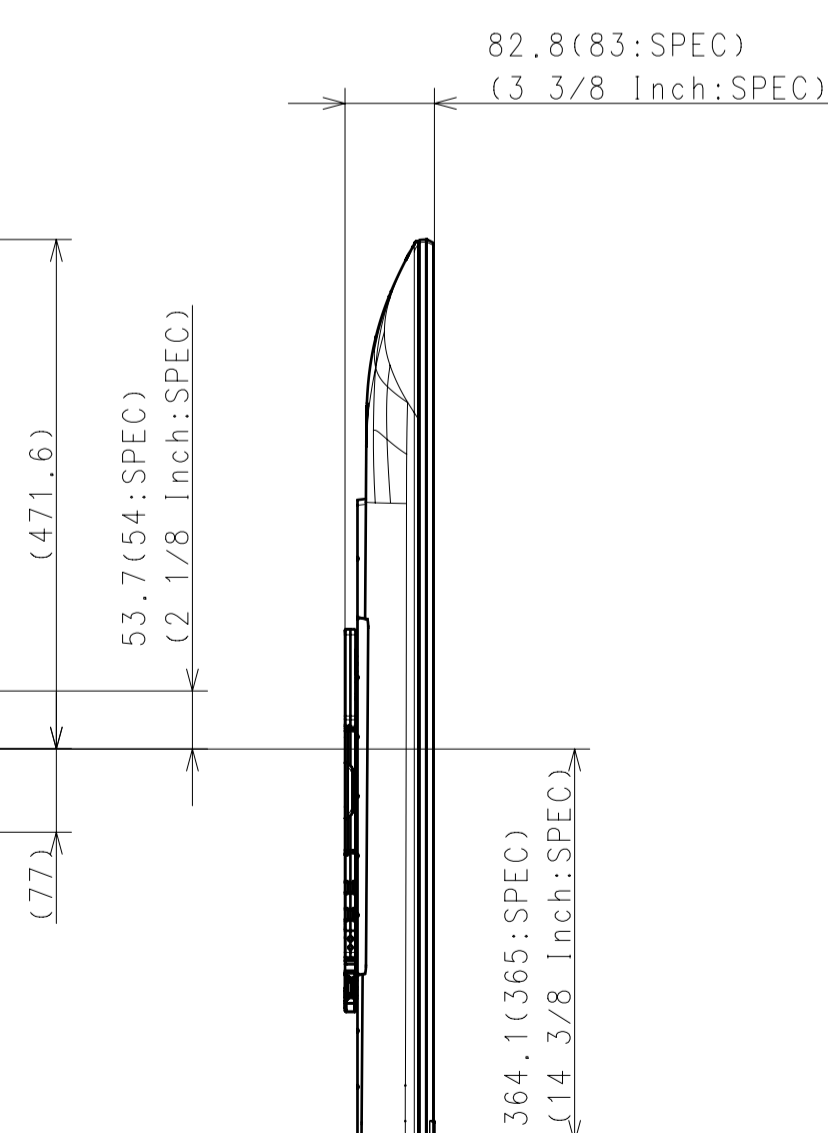
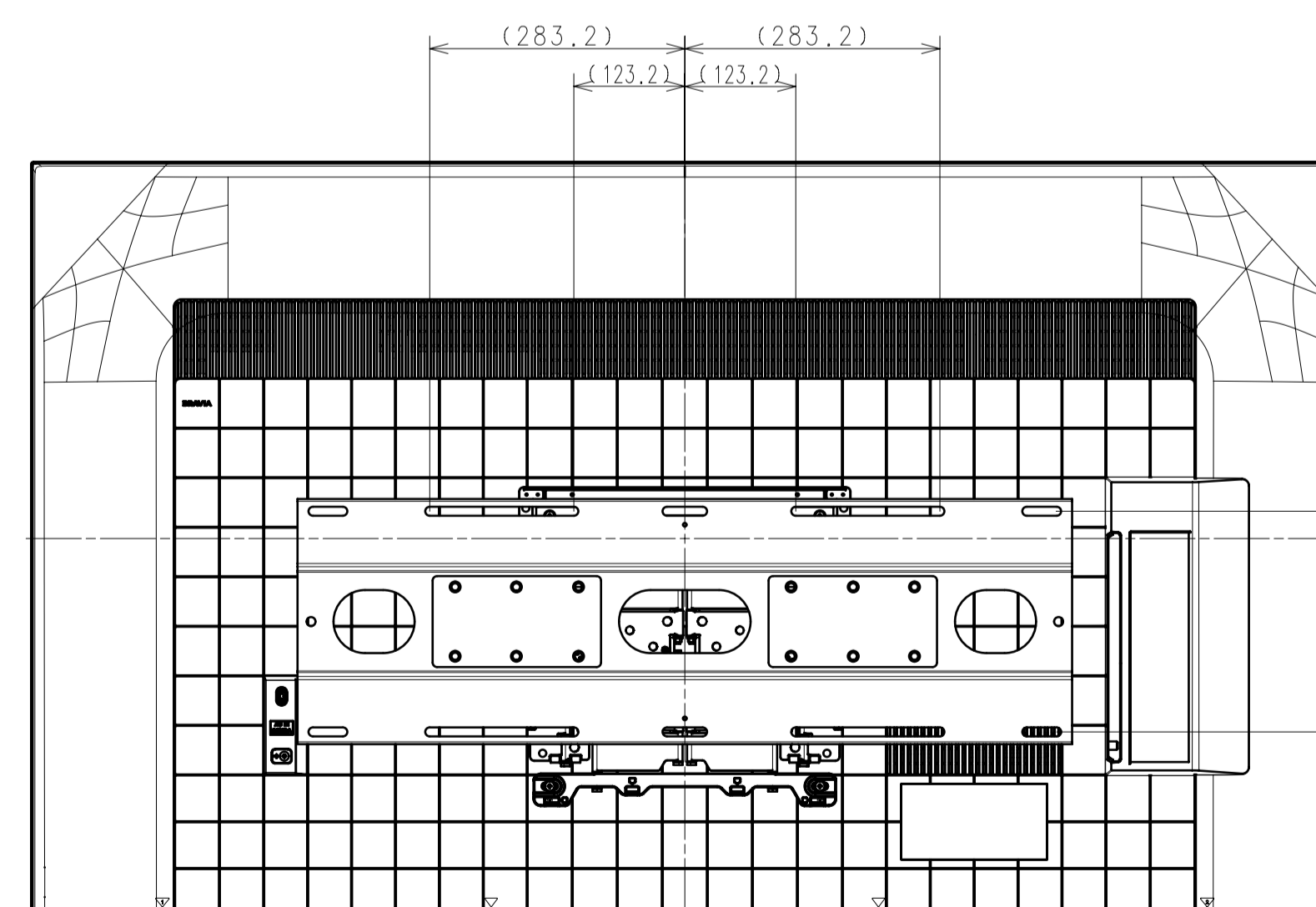
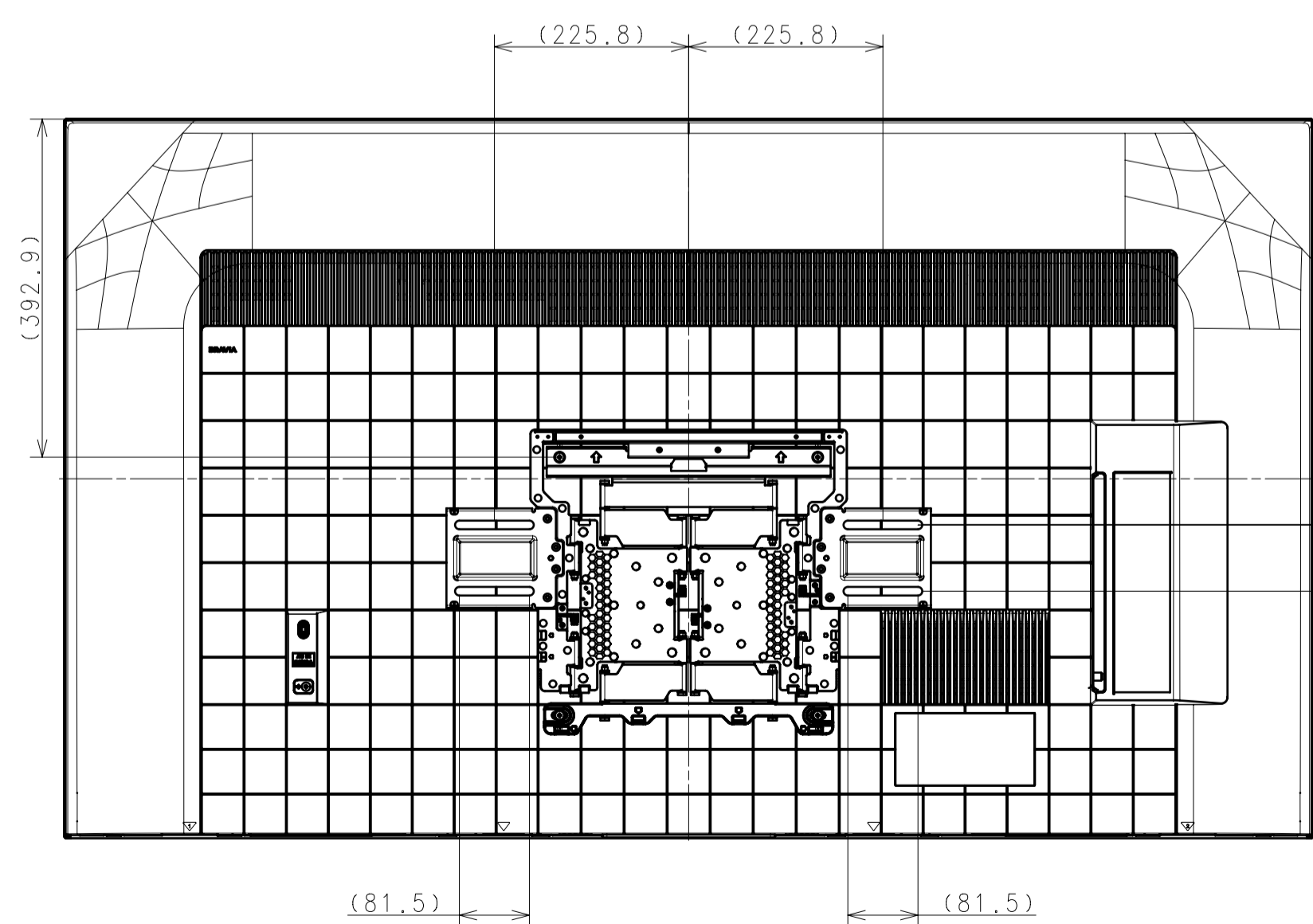
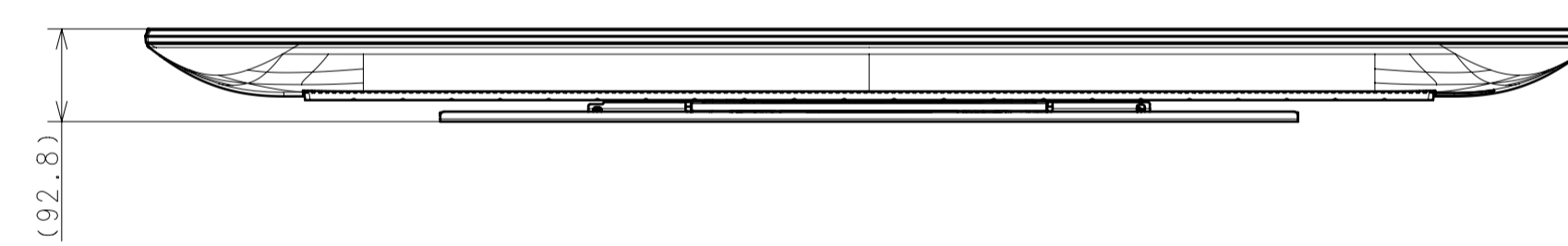
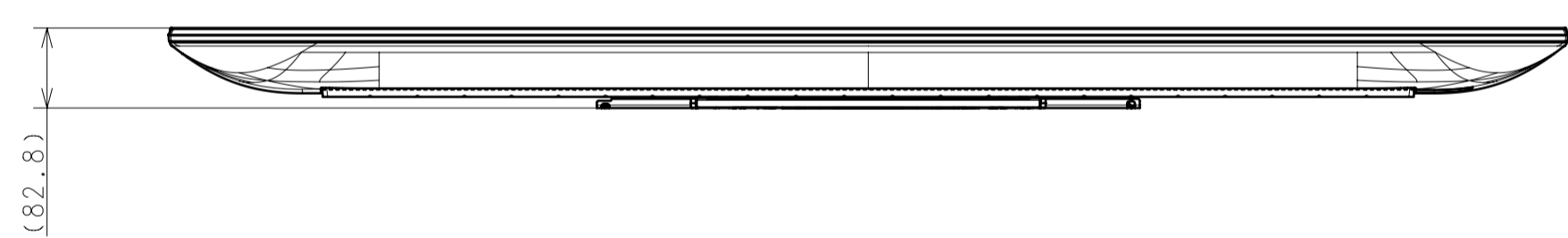
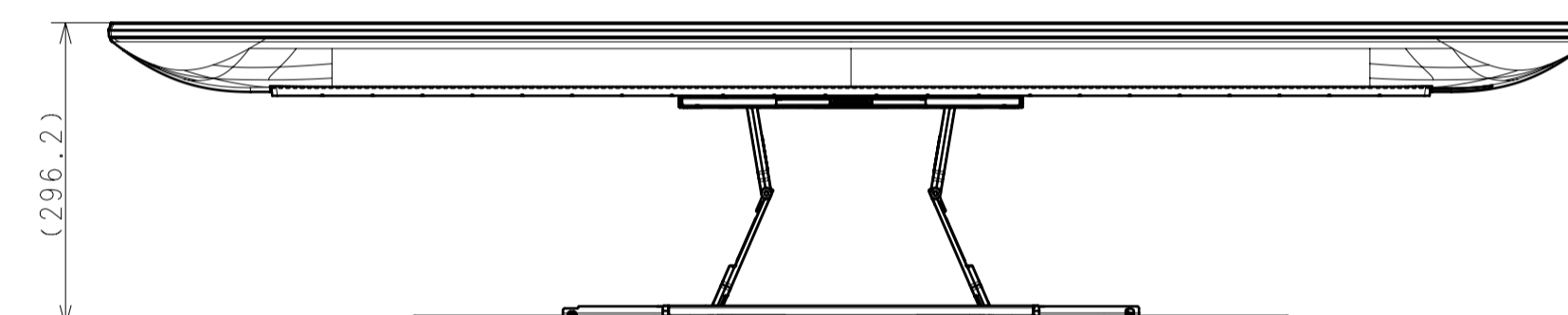
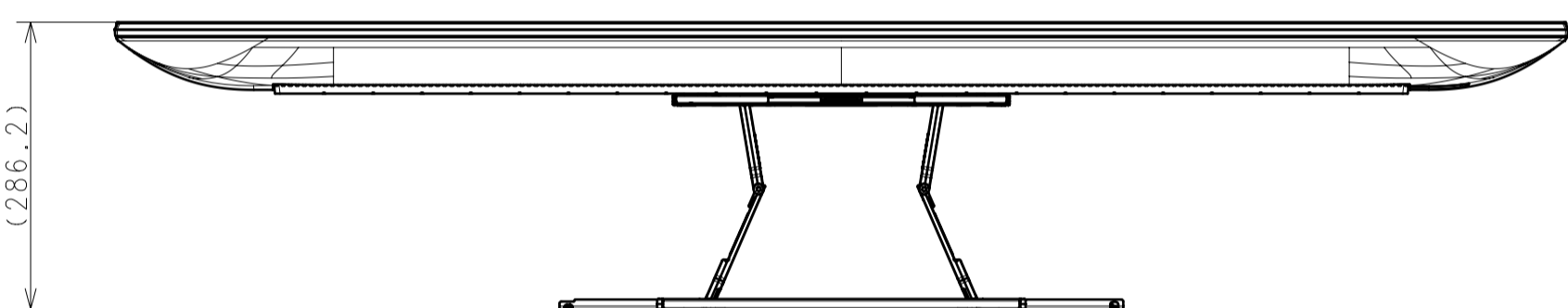
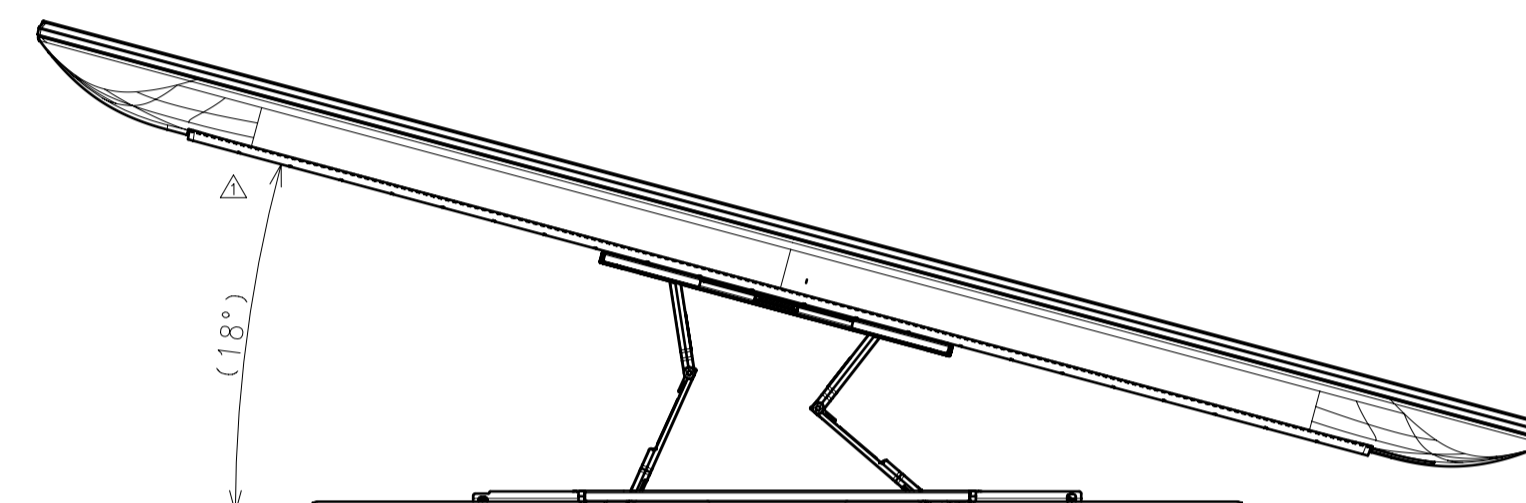
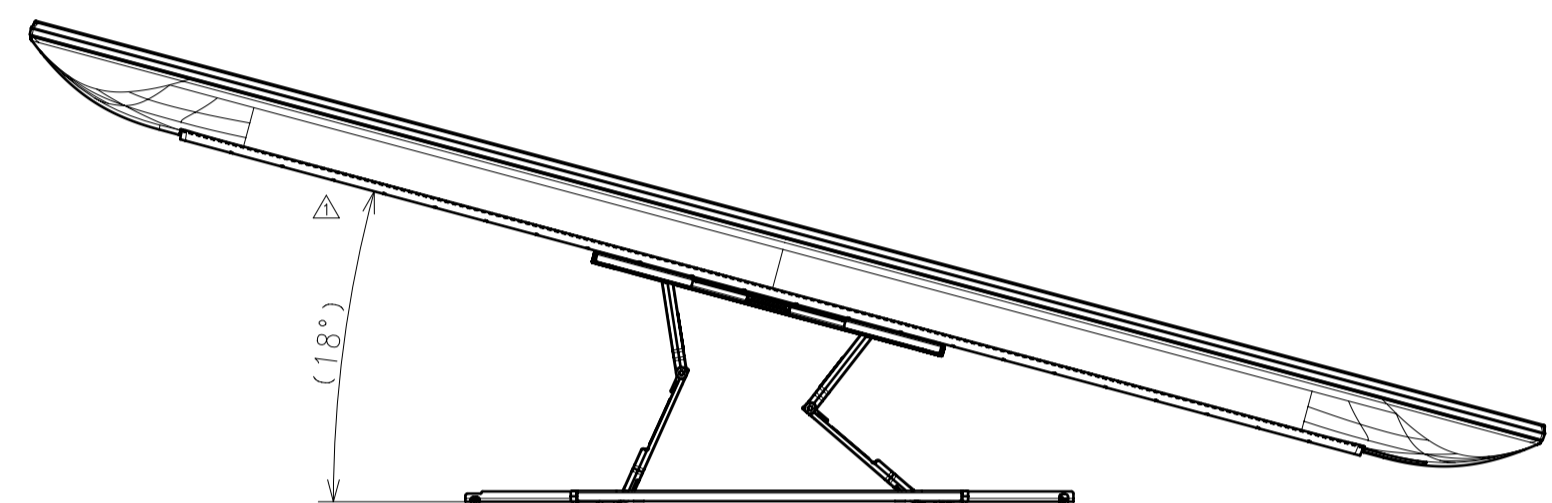
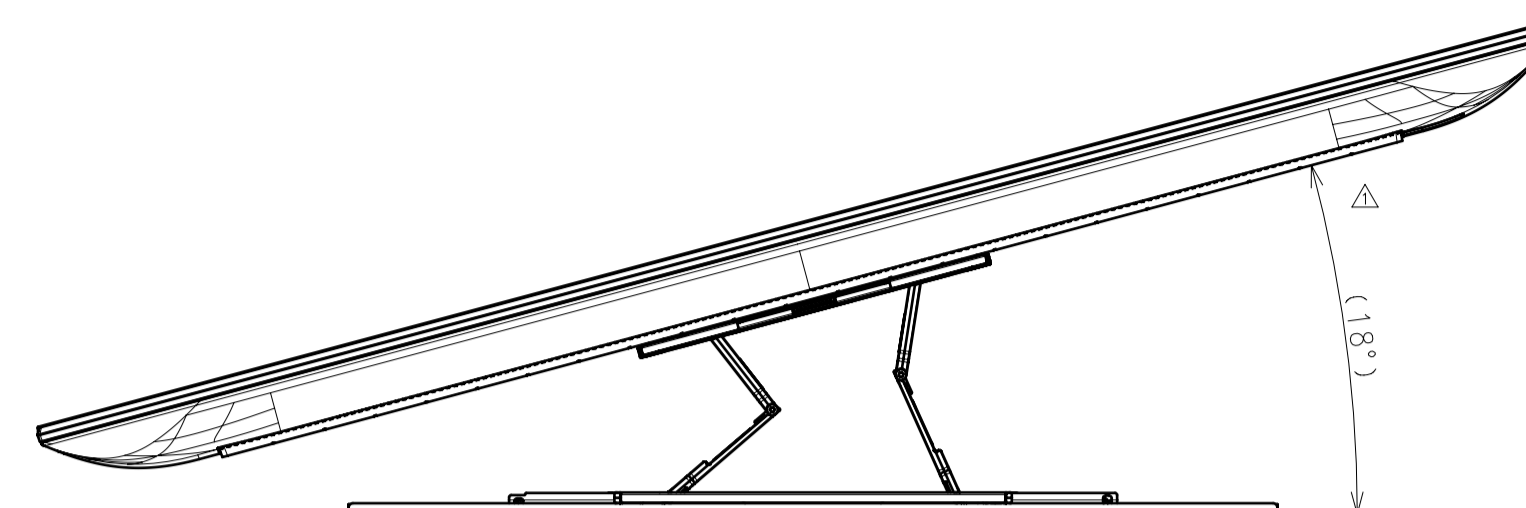
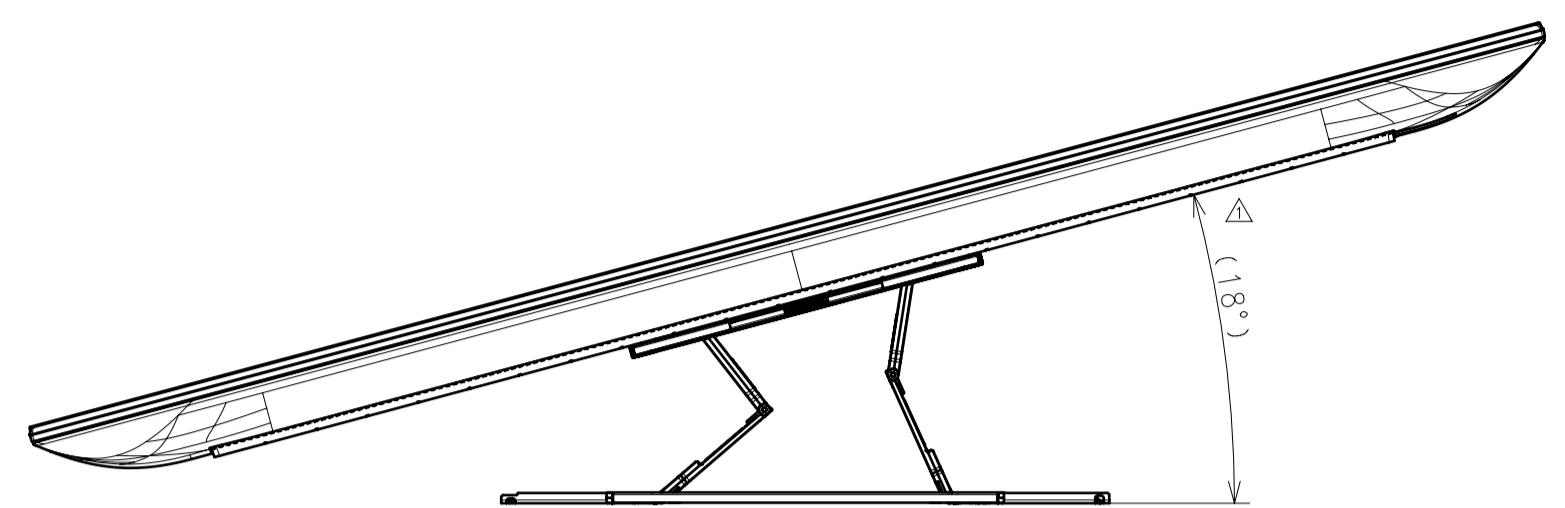


SONY STANDARD
DRAWING

DESCRIPTION	LEGAL OWNER	SCALE
65 (X80K) EXTERIOR VIEW	Sony Corporation	1:7
DESCRIPTION	PART NO.	SHEET/PAGES
65 (X80K) EXTERIOR VIEW		4 / 5

WL850

WL855 WITH LATERAL SHAFT BRACKET



SONY STANDARD DRAWING

A1

DESCRIPTION	65 (X80K) EXTERIOR VIEW	LEGAL OWNER	Sony Corporation	SCALE	1:7
DESCRIPTION	65 (X80K) EXTERIOR VIEW	PART NO.		SHEET/PAGES	5/5