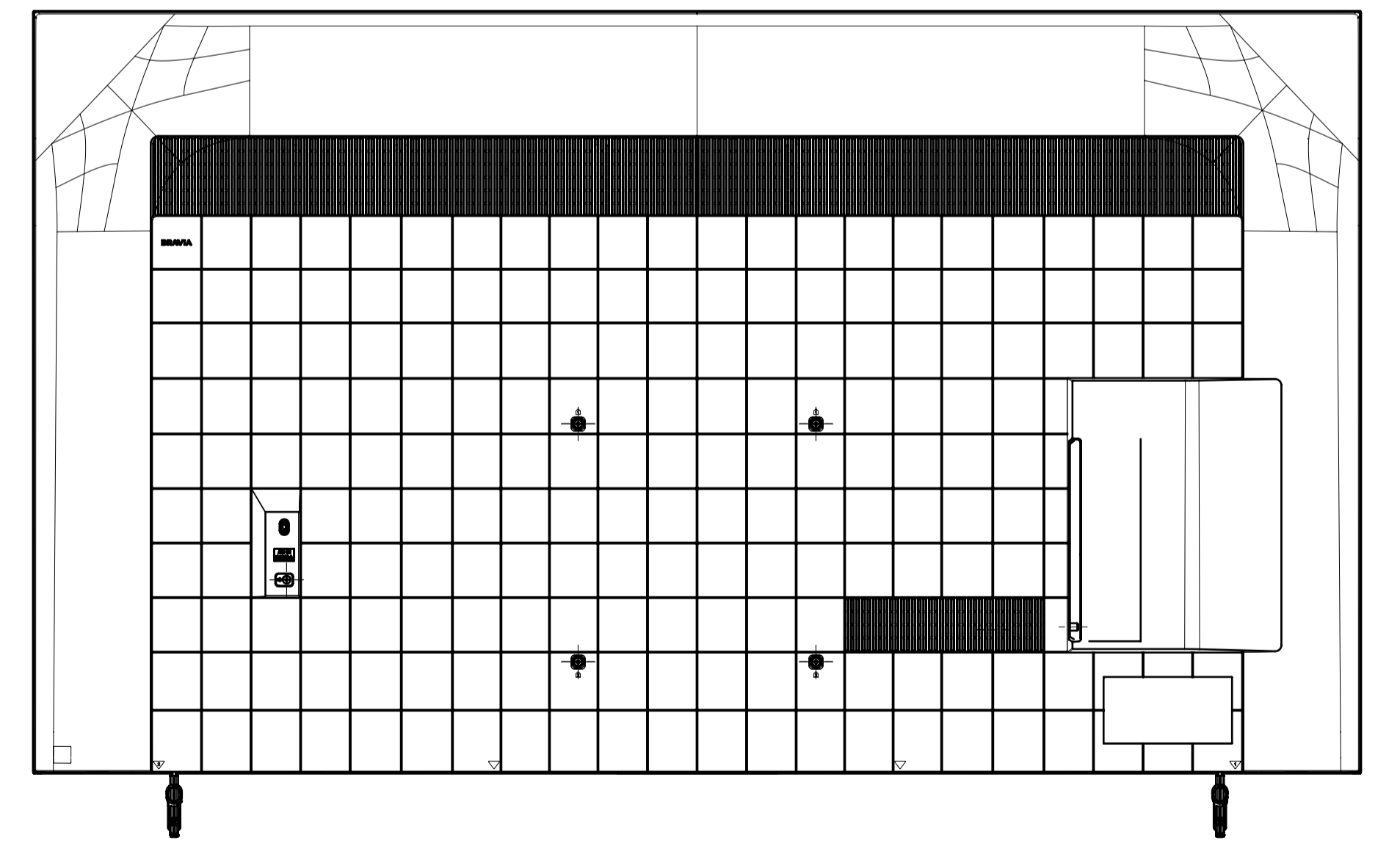
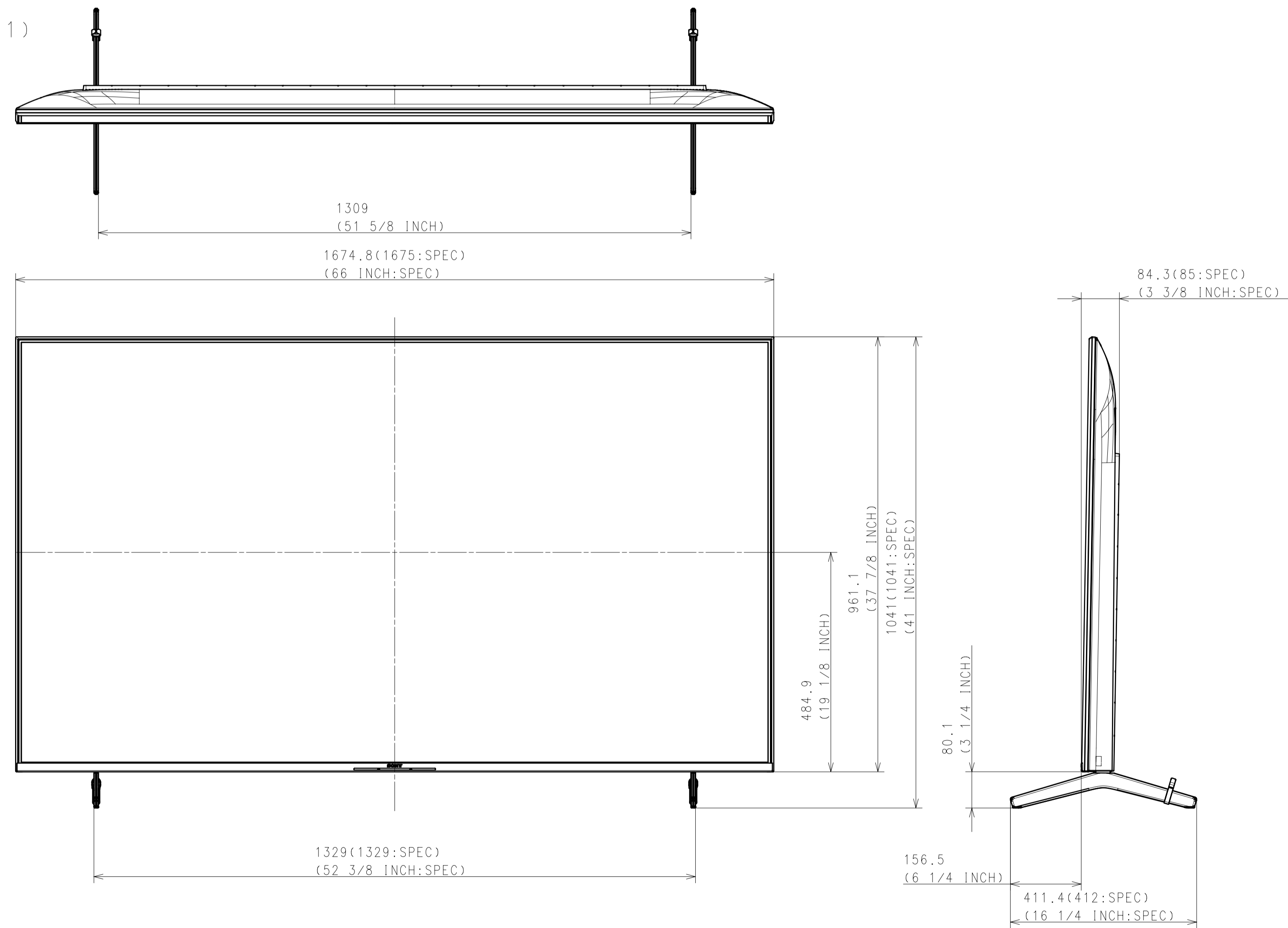


Area	JAPAN	NORTH AMERICA	LATIN AMERICA	EUROPE	EUROPE DERIVATIVE 1	GENERAL AREA	CHINA
Model Name	KJ-75X80K	KD-75X80K	KD-75X80K	KD-75X81K	KD-75X82K	KD-75X80K	KD-75X80K
SV No.	SV-40137	SV-40004	SV-40016	SV-40103	SV-40102	SV-40031	SV-40090
DIMENSION	TV only (W x H x D)	167.5 x 96.2 x 7.3 cm	1675 x 962 x 73 mm / 66 x 37 7/8 x 2 7/8 inch	1675 x 962 x 73 mm	Approx. 167.5 x 96.2 x 7.3 cm	Approx. 167.5 x 96.2 x 7.3 cm	Approx. 1675 x 962 x 73 mm
	TV only with camera (WxHxD)	-	-	-	-	-	-
	TV with Stand (Standard position) (W x H x D)	167.5 x 104.1 x 41.2 cm	1675 x 1040 x 410 mm / 66 x 41 x 16 1/4 inch	1675 x 1040 x 410 mm	Approx. 167.5 x 104.1 x 41.2 cm	Approx. 167.5 x 104.0 x 44.4 cm	Approx. 1675 x 1041 x 412 mm
	TV with Stand (Narrow position) (W x H x D)	-	-	-	Approx. 167.5 x 104.1 x 41.2 cm	-	-
	TV with Stand (Soundbar position) (W x H x D)	-	-	-	-	-	-
	TV with Stand (Front position style) (W x H x D)	-	-	-	-	-	-
	TV with Stand (Back position style) (W x H x D)	-	-	-	-	-	-
	TV with Floor Stand (W x H x D)	-	-	-	-	-	-
	Stand Width (Standard position)	132.9 cm	1330 mm / 52 3/8 inch	1330 mm	Approx. 132.9 cm	Approx. 62.3 cm	Approx. 1329 mm
	Stand Width (Narrow position)	-	-	-	Approx. 55.9 cm	-	-
	Stand Width (Soundbar position)	-	-	-	-	-	-
	Stand Width (Front position style)	-	-	-	-	-	-
	Stand Width (Back position style)	-	-	-	-	-	-
Floor Stand Width	-	-	-	-	-	-	
VESA Hole Pitch	30.0 x 30.0 cm	300 x 300 mm / 11 7/8 x 11 7/8 inch	300 x 300 mm	30.0 x 30.0 cm	30.0 x 30.0 cm	300 x 300 mm	
WEIGHT	TV Only	32.2 kg	32.2 kg / 71 lb	32.2 kg	Approx. 32.2 kg	Approx. 32.2 kg	Approx. 32.2 kg
	TV with Stand (Standard position)	33.5 kg	33.4 kg / 73.6 lb	33.4 kg	Approx. 33.5 kg	Approx. 36.7 kg	Approx. 33.5 kg
	TV with Stand (Narrow position)	-	-	-	Approx. 33.5 kg	-	-
	TV with Stand (Soundbar position)	-	-	-	-	-	-
	TV with Stand (Front/Back position style)	-	-	-	-	-	-
	TV with Floor Stand	-	-	-	-	-	-
Floor Stand weight (Supply)	-	-	-	-	-	-	
W-M't Br. Weight (Supply)	-	-	-	-	-	-	
Remarks		Main Stand(APH)	Main Stand(APH)	2way	Center Stand		

WITH STAND

MAIN STAND
STANDARD POSITION
Except
KD-75X82K(EUROPE DERIVATIVE 1)
& KD-75X80K(NORTH AMERICA,
LATIN AMERICA)

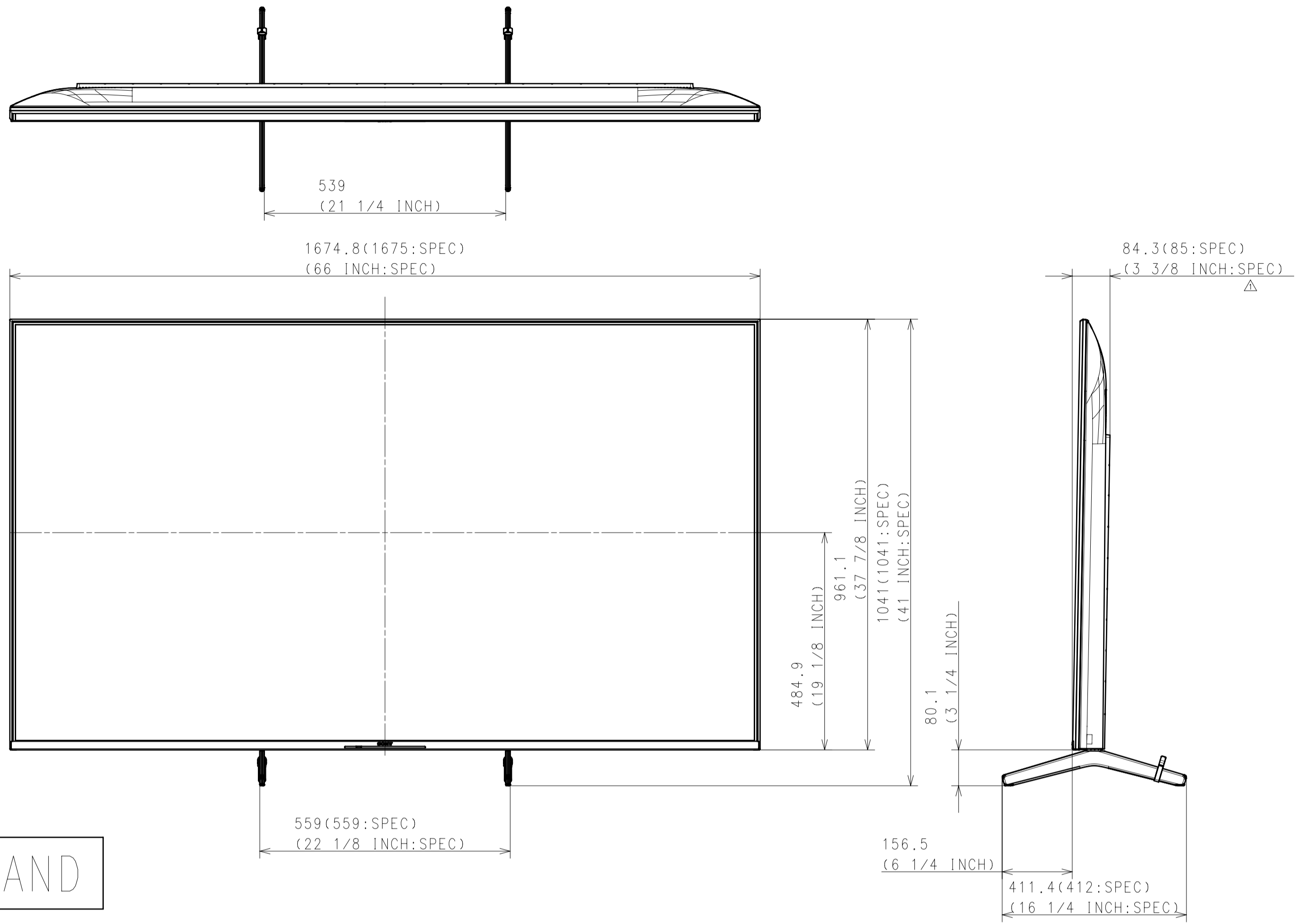


Purchase recycled resins and wire rods only from the business partners that Sony approves as Green Partners.
再生樹脂・銅線はグリーンパートナー認定品から調達すること。

DATE OF ISSUE	2021.11.05	DOCUMENT TYPE	ASSEMBLY DRAWING
TOLERANCE		FINISH(COLOR)	
MATERIAL(COLOR)		FINISH(COLOR)	
RESPONSIBLE DEPARTMENT	PANEL & MECHANICAL DESIGN	ORIGINAL MODEL	75(X80K) EXTERIOR VIEW
PLANNED BY	2021.11.05	DESIGNED BY	2021.11.05
DESIGNED BY	2021.11.05	APPROVED BY	2021.11.05
SCALE	1:2	TENTATIVE MODEL	
SIZE	A1	UNIT	mm
SHEET/PAGES	1/5		

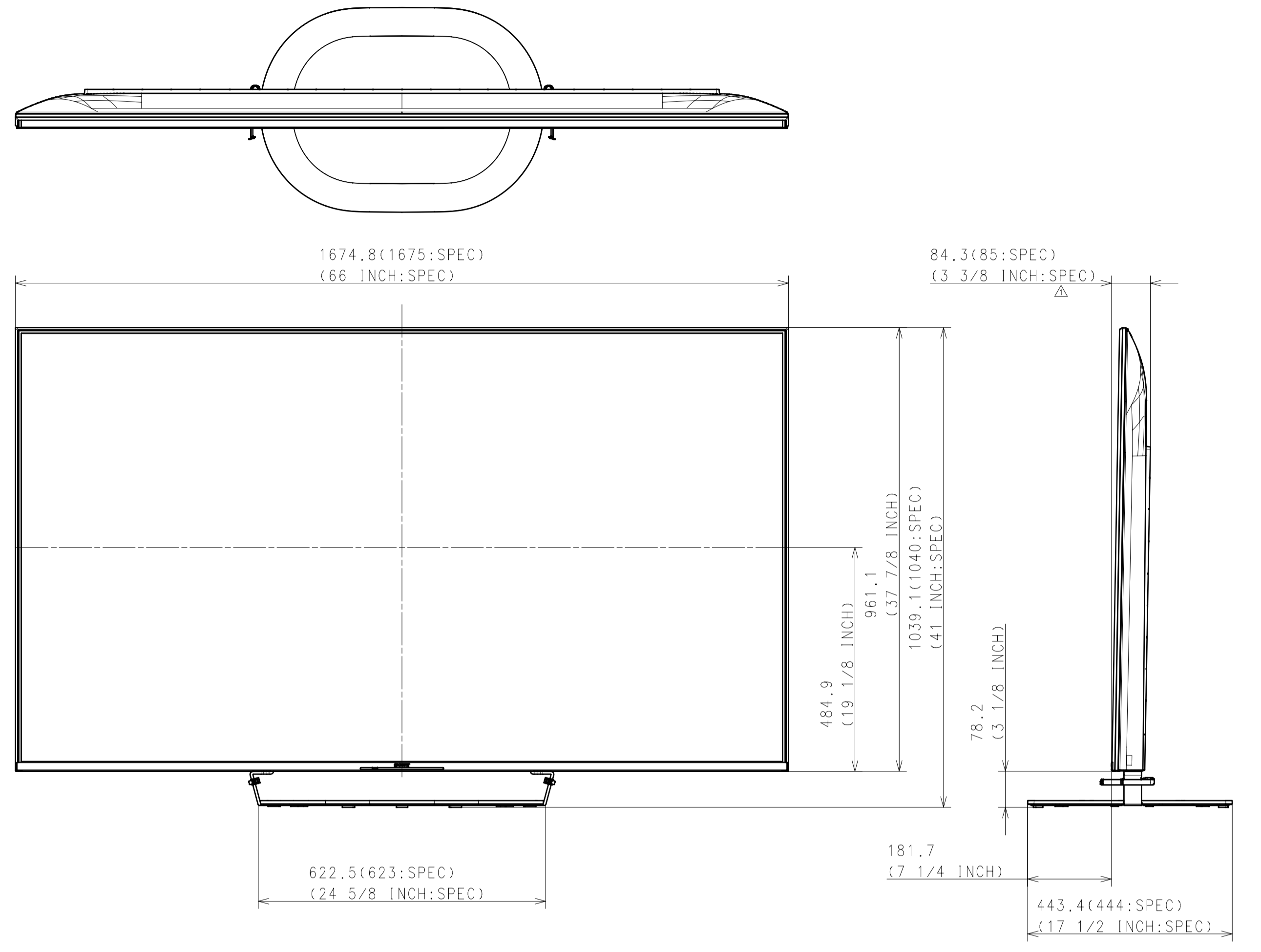
WITH STAND

△NARROW POSITION
KD-75X81K(EUROPE Model only)



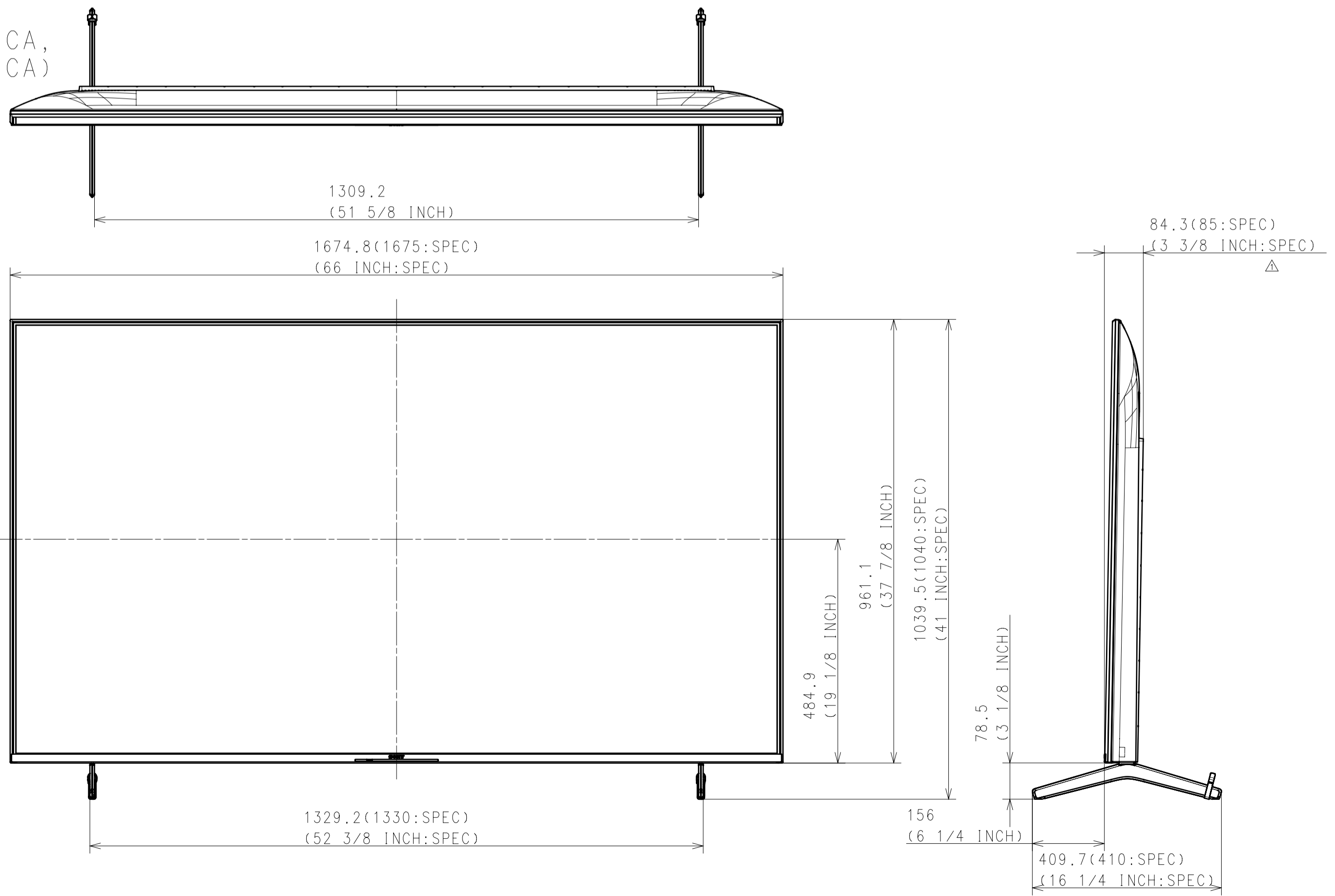
WITH STAND

△CENTER POSITION
KD-75X82K(EUROPE DERIVATIVE 1 only)



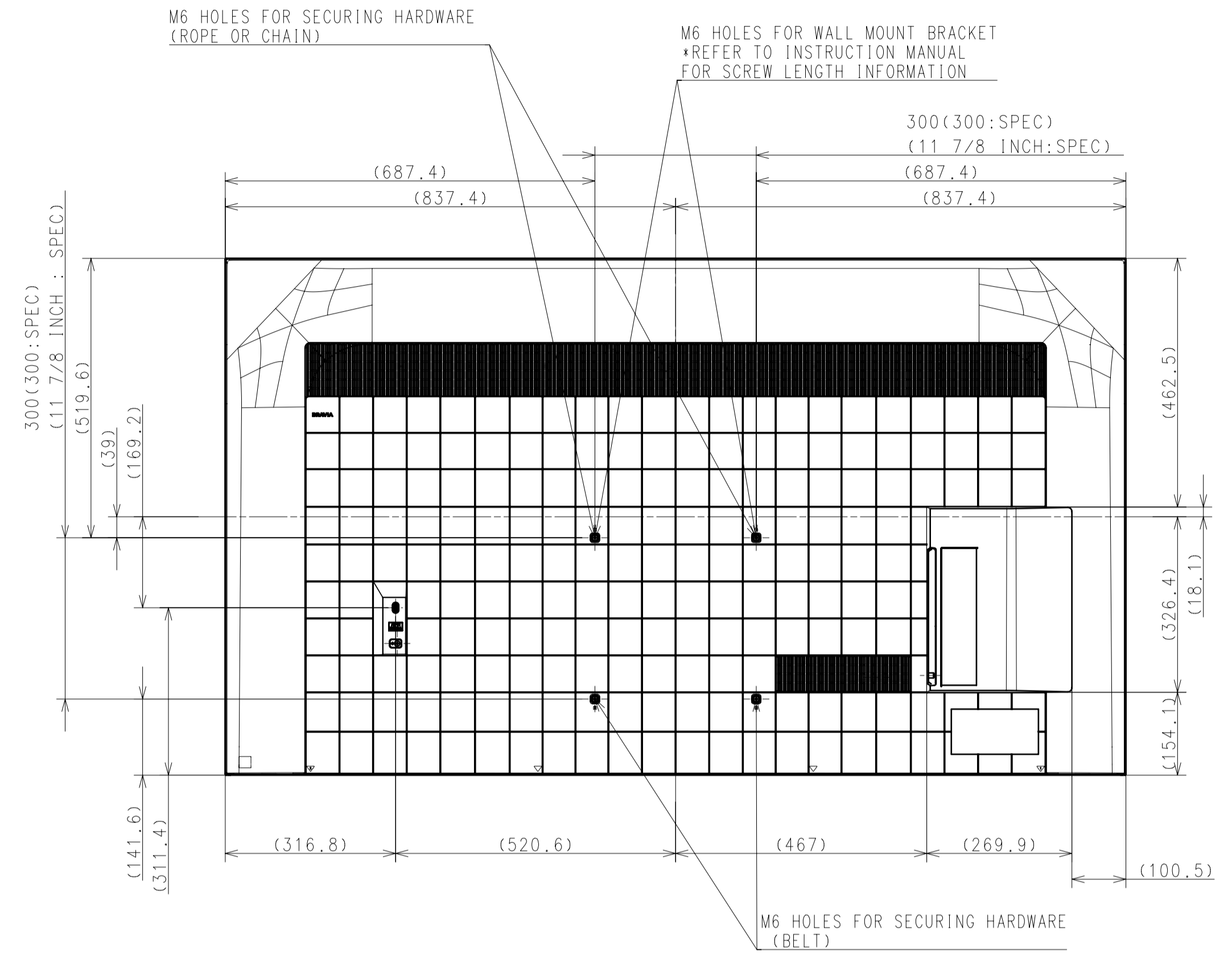
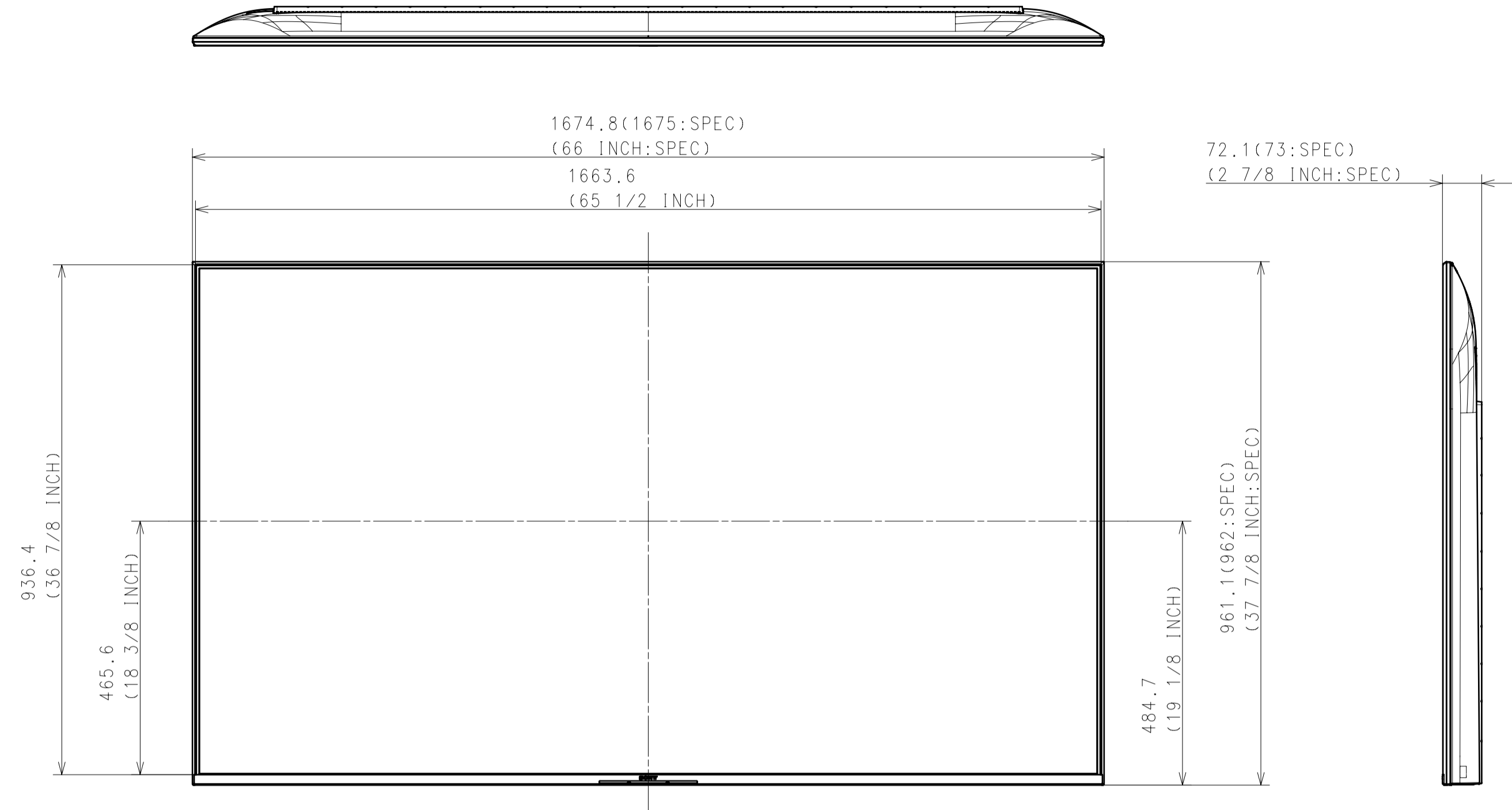
WITH STAND

MAIN STAND (APH)
STANDARD POSITION
KD-75X80K
(NORTH AMERICA,
LATIN AMERICA)
Only

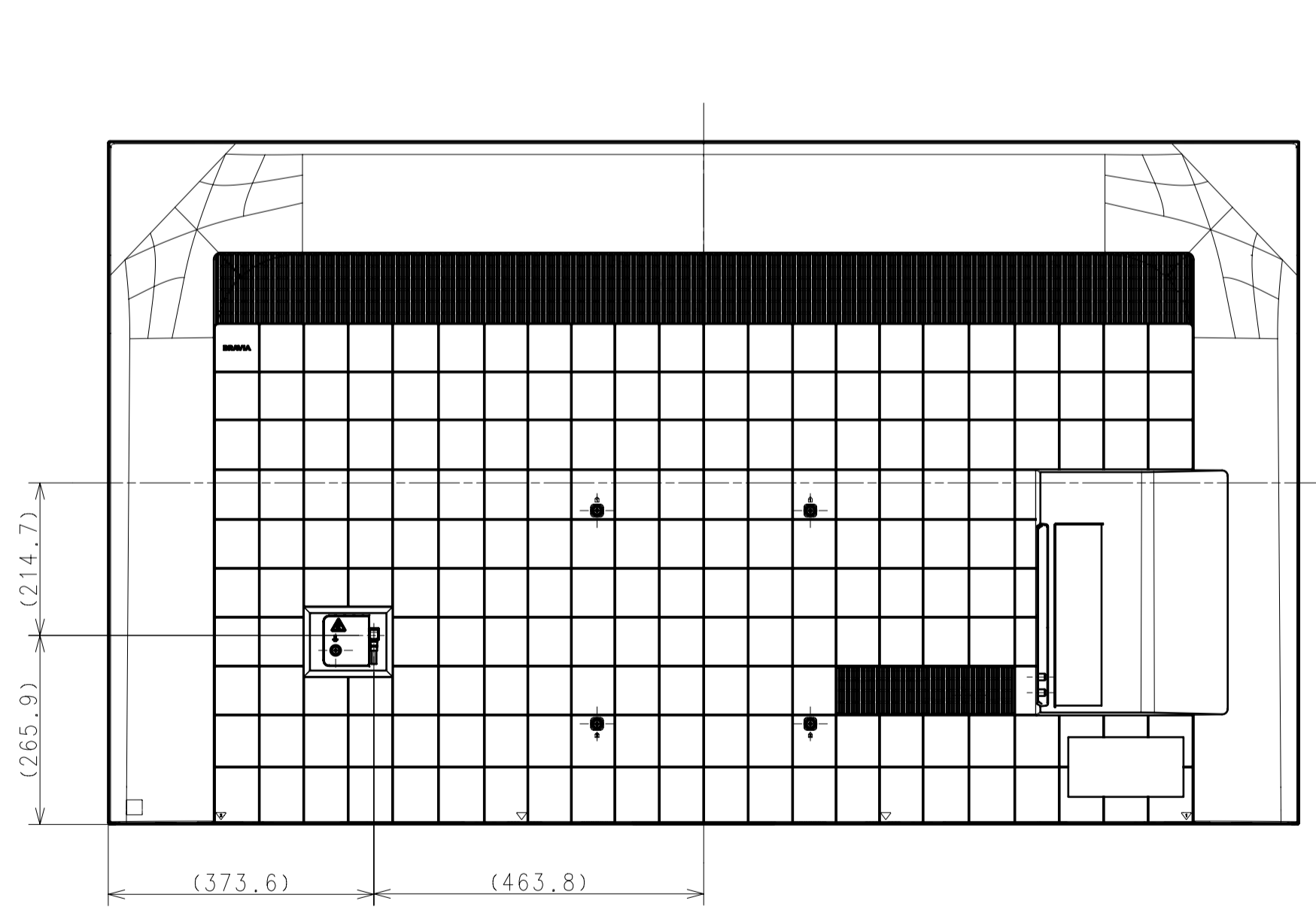


DESCRIPTION 1	LEGAL OWNER	SCALE
75(X80K) EXTERIOR VIEW	Sony Corporation	1:8
DESCRIPTION 2	PART NO.	SHEET/PAGES
75(X80K) EXTERIOR VIEW		2 / 5

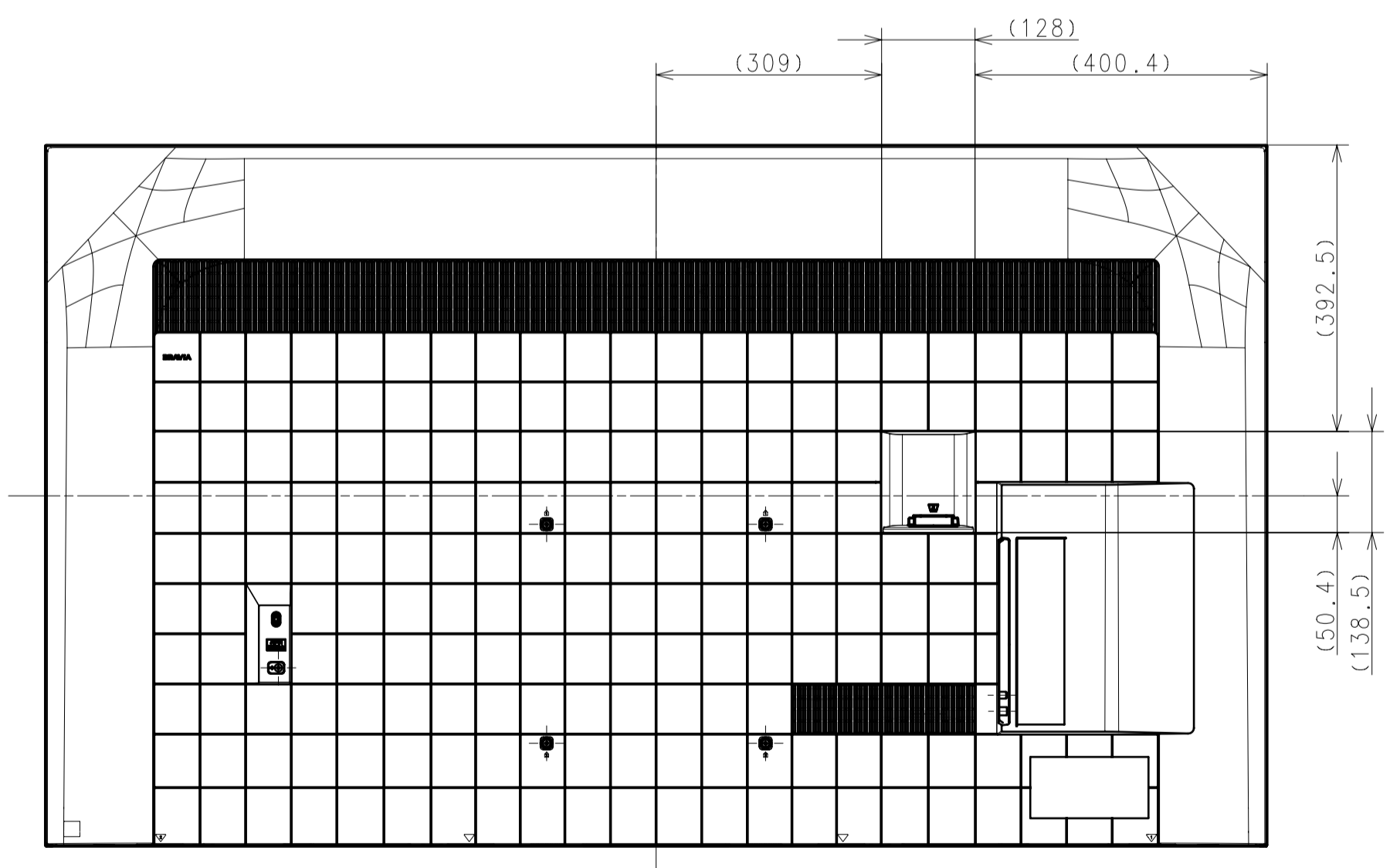
WITHOUT STAND



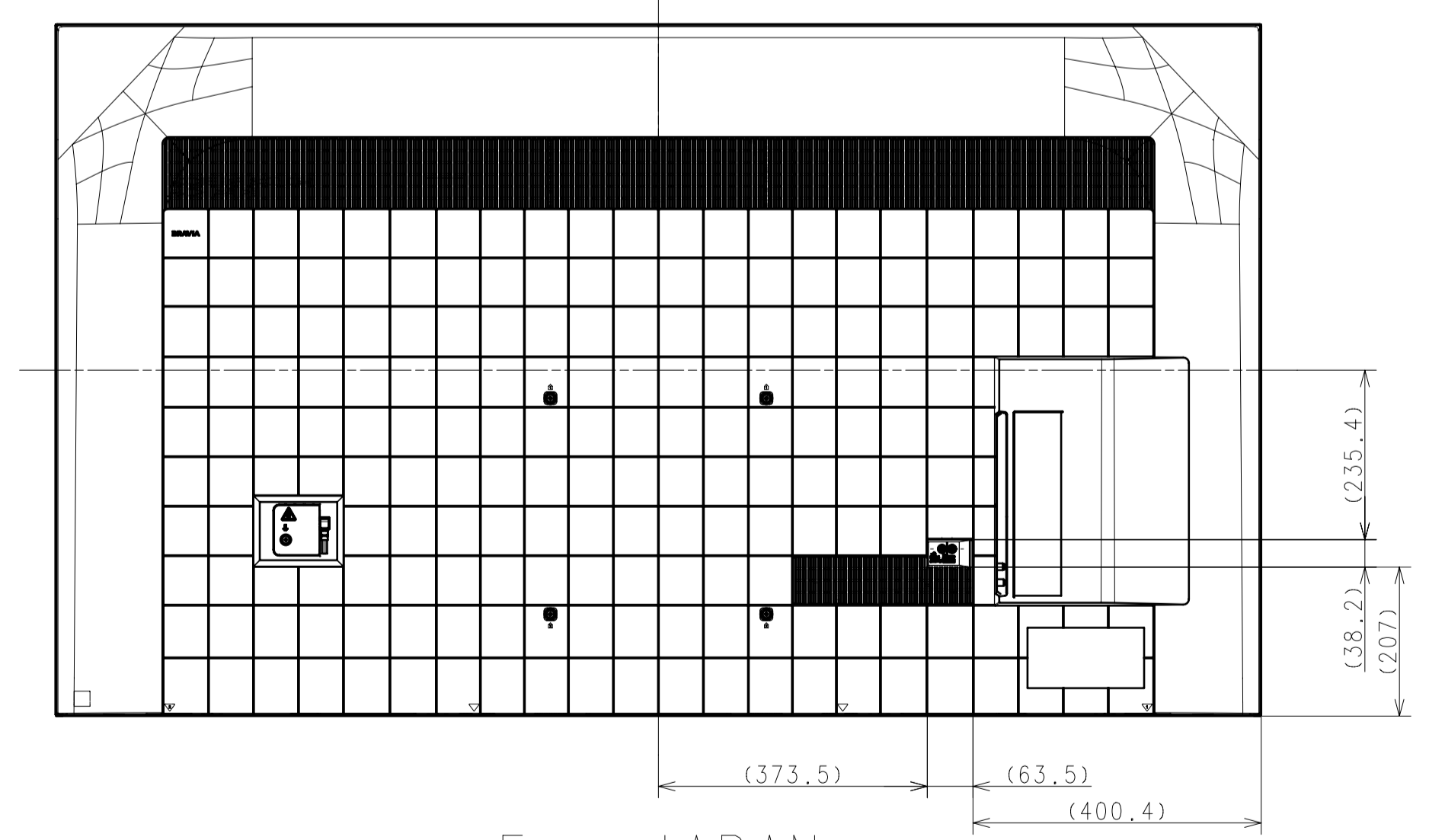
For .NORTH AMERICA, GENERAL AREA, CHINA



For .LATIN AMERICA



For .EUROPE



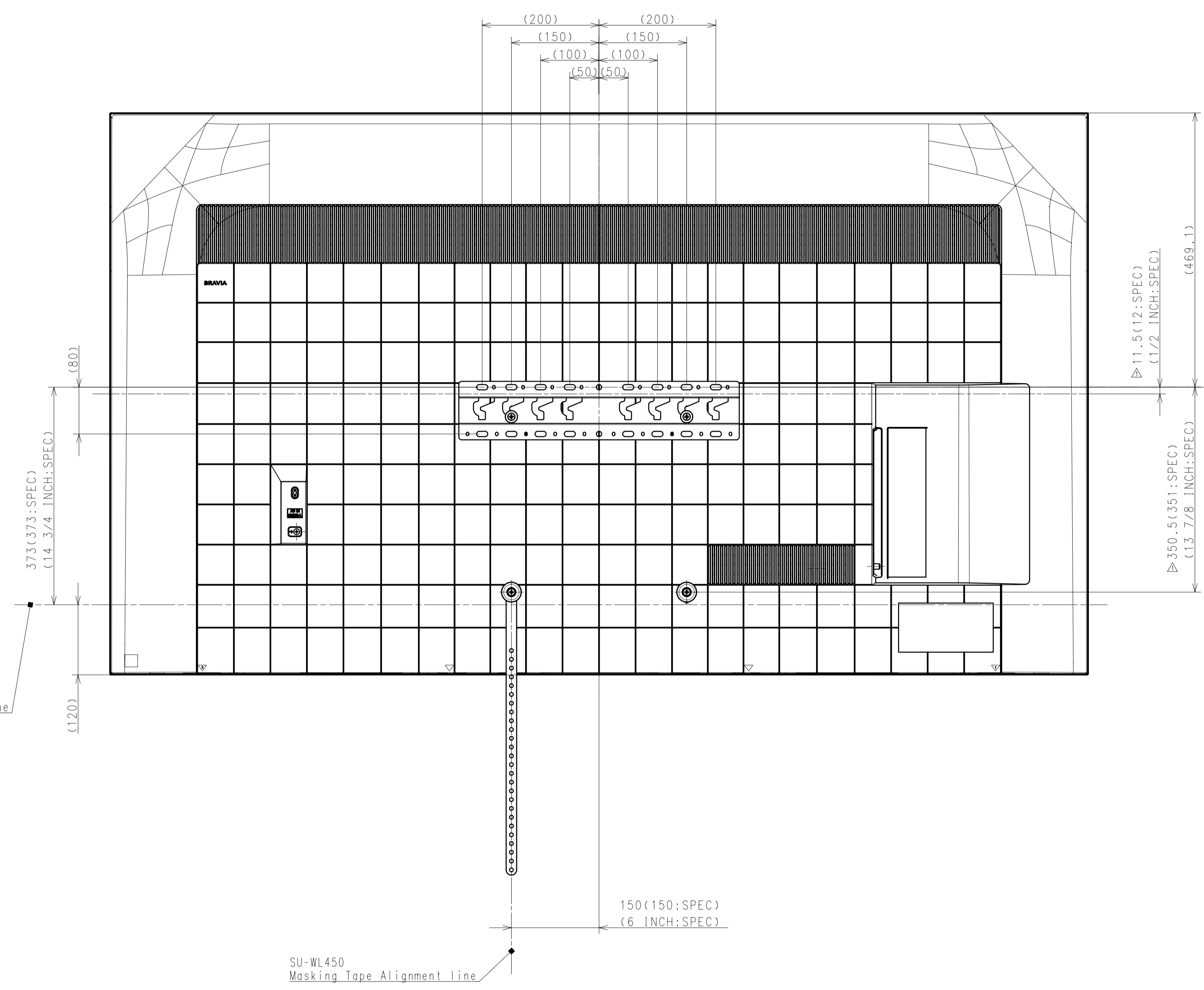
For .JAPAN

DESCRIPTIONS 75(X80K) EXTERIOR VIEW	LEGAL OWNER Sony Corporation	SCALE 1:8
DESCRIPTIONS 75(X80K) EXTERIOR VIEW	PART NO.	SHEET/PAGES 3 / 5

SU-WL450

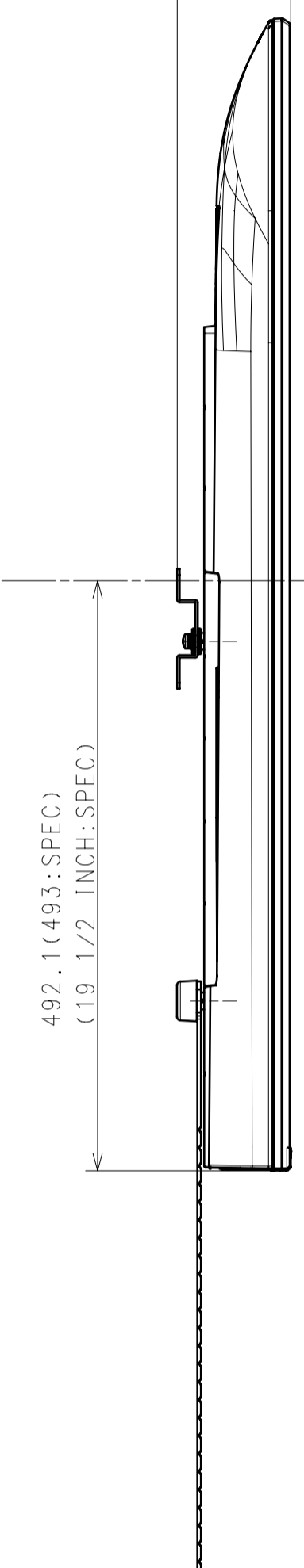
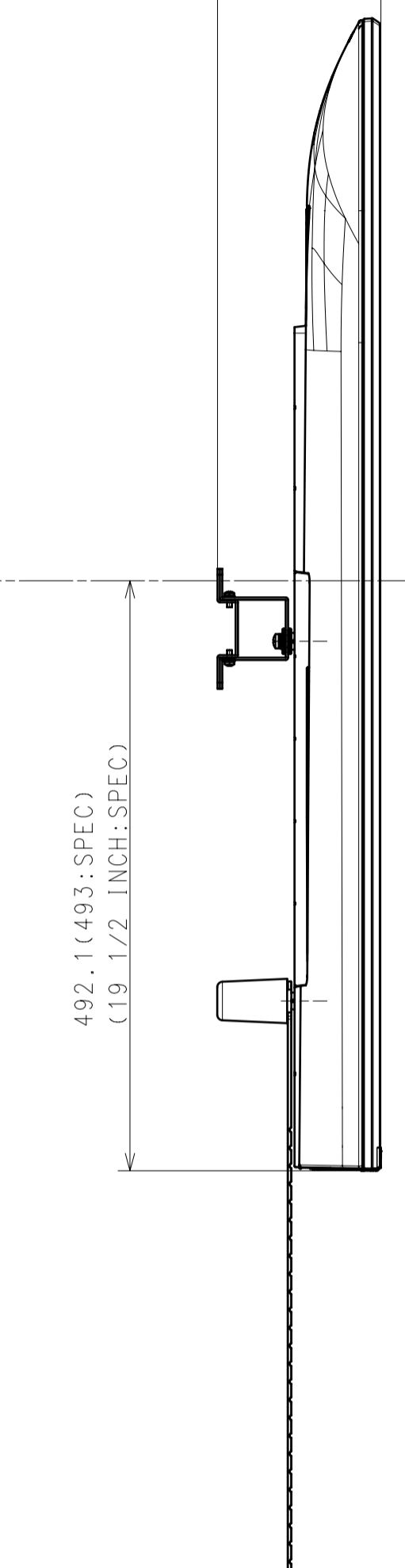
STANDARD

SLIM



136.3 (5 1/2 INCH:SPEC)

94.5 (3 3/4 INCH:SPEC)



SONY STANDARD

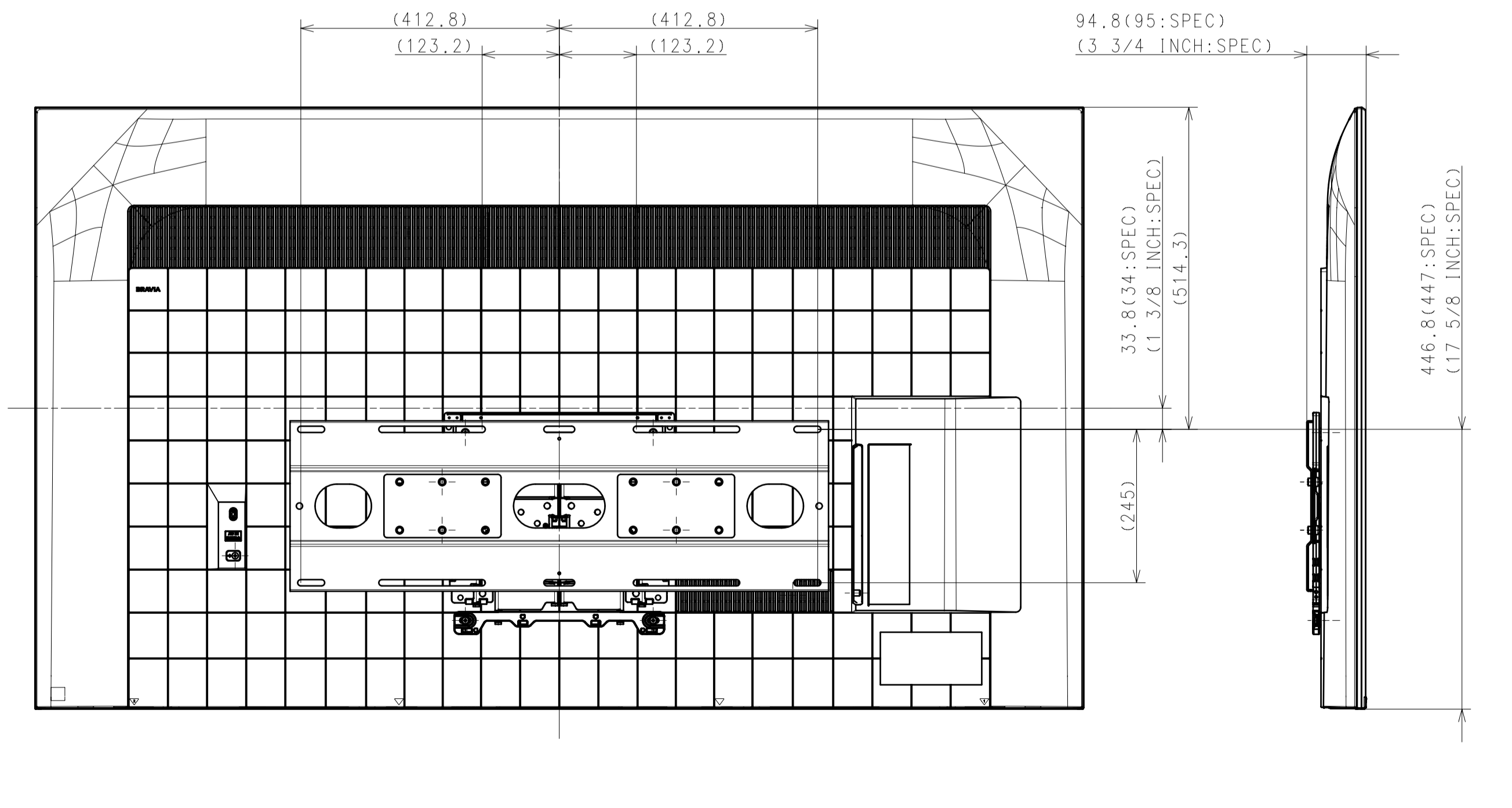
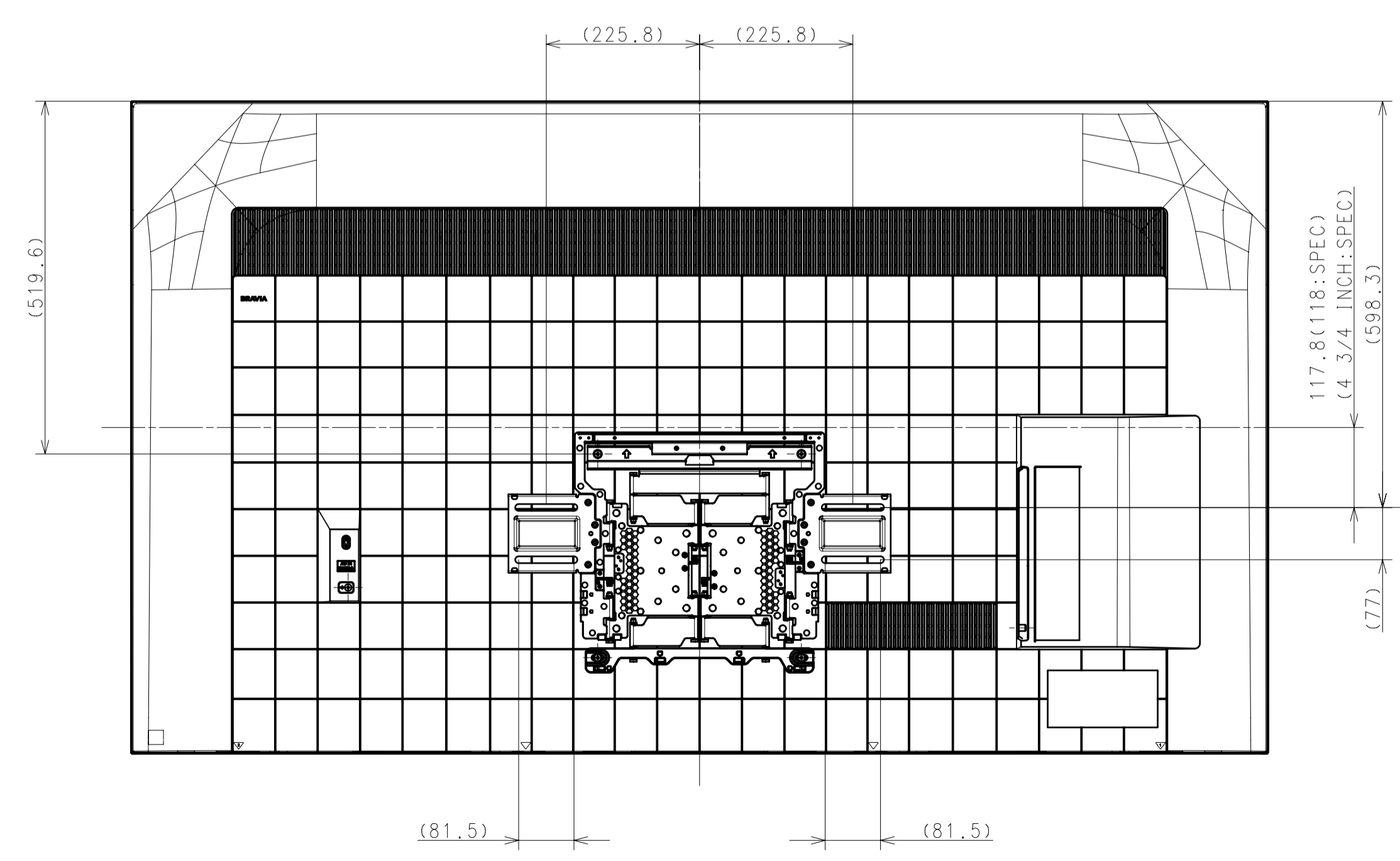
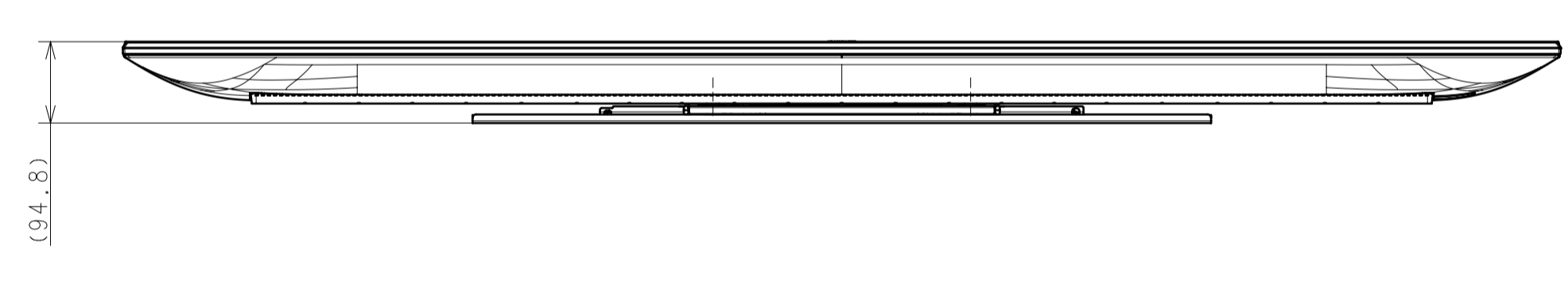
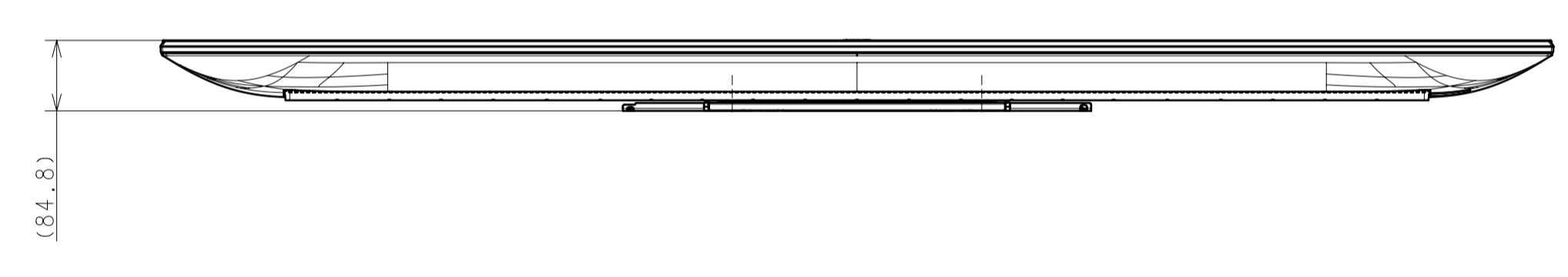
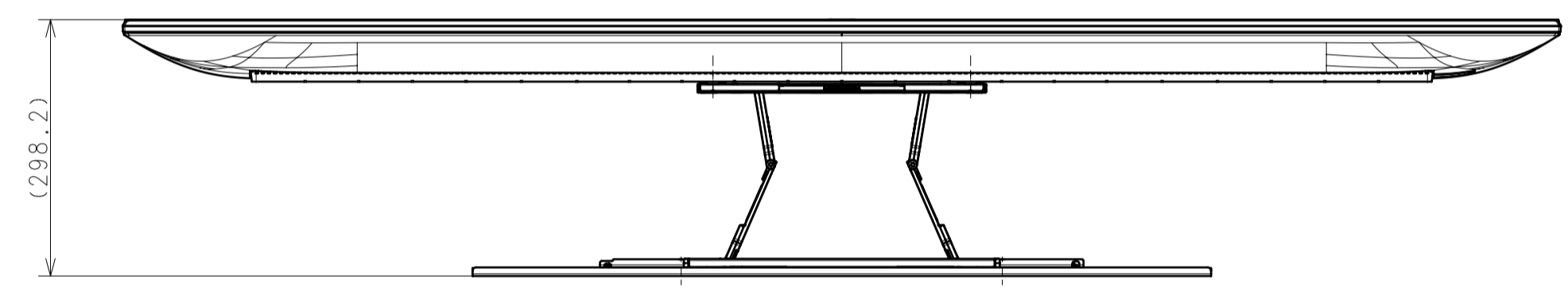
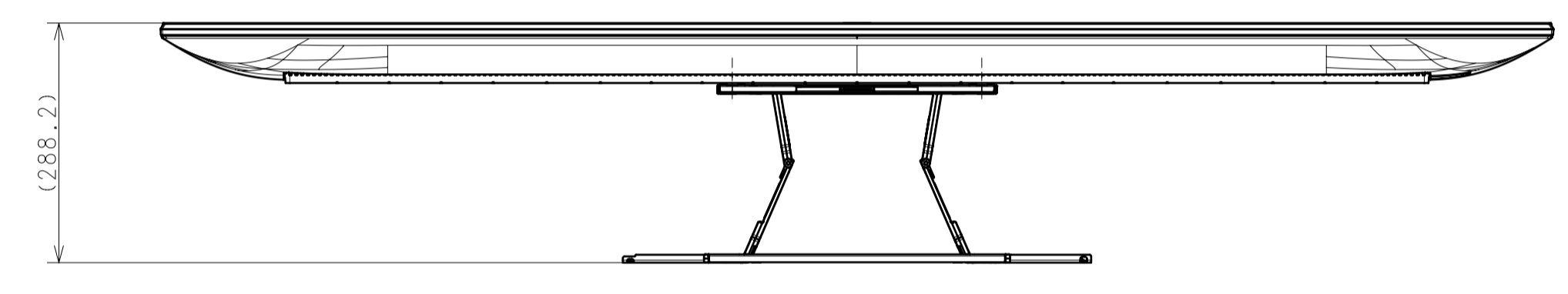
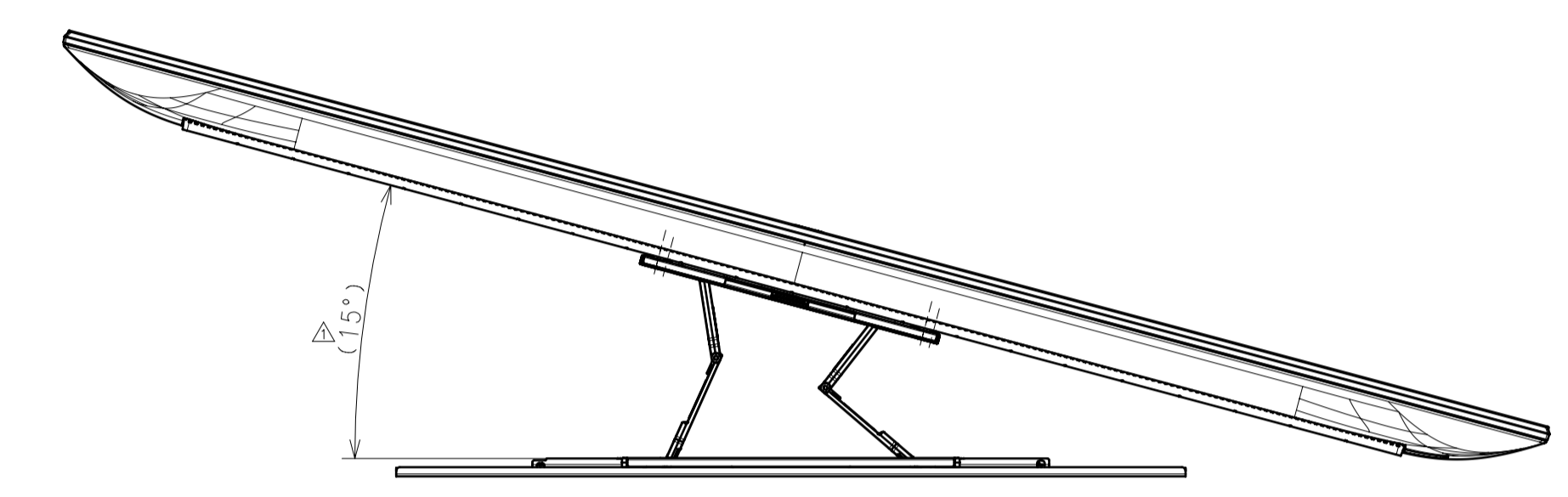
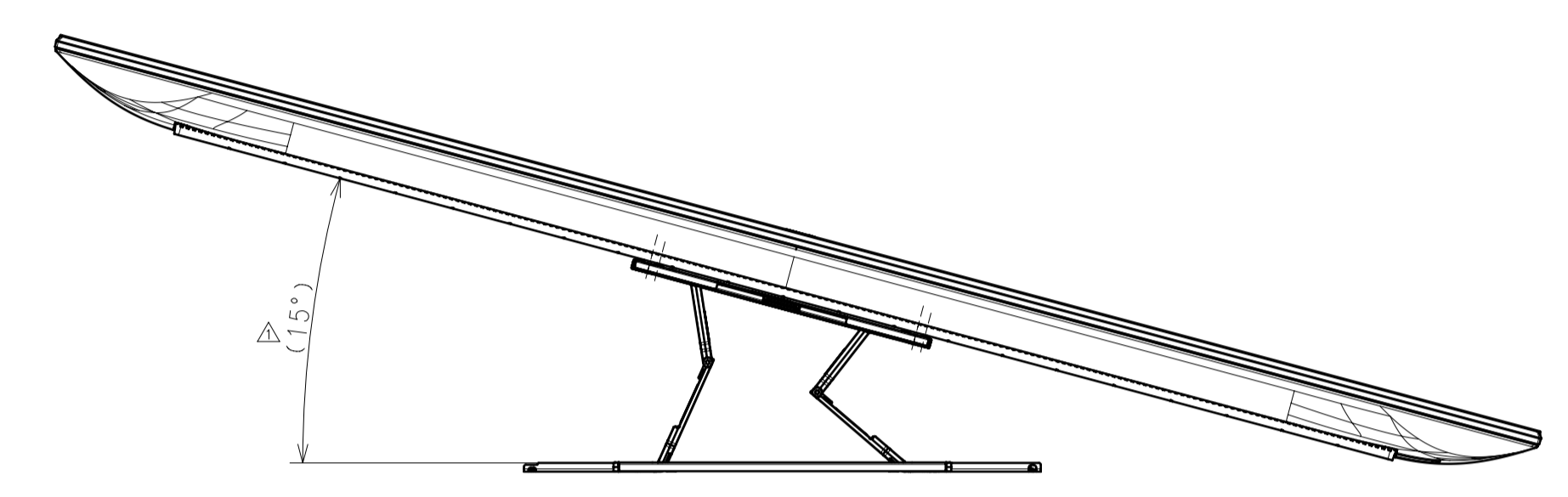
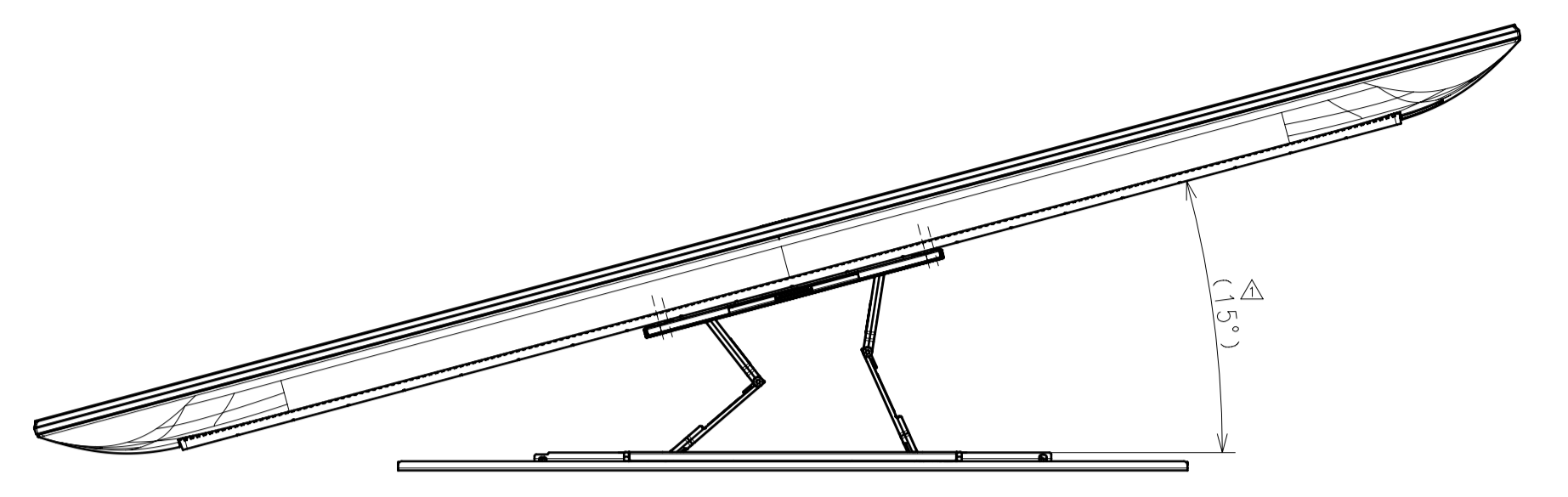
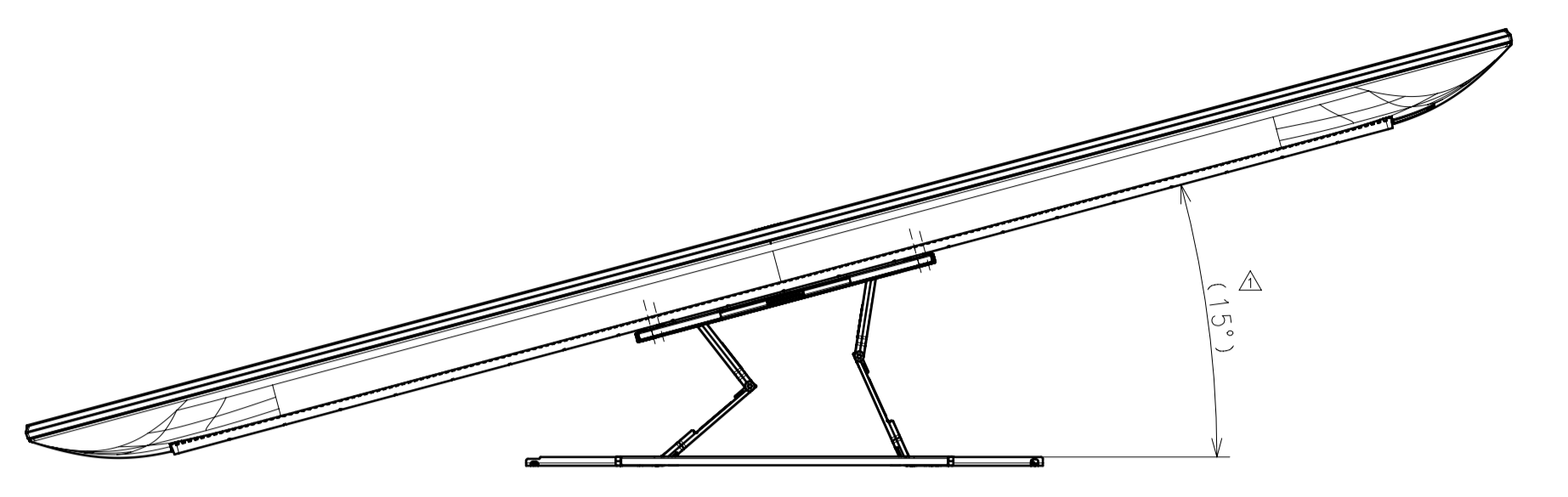
SU-WL450 Masking Tape Alignment line

SU-WL450 Masking Tape Alignment line

DESCRIPTION 1	75(X80K) EXTERIOR VIEW	LEGAL OWNER	Sony Corporation	SCALE	1:5
DESCRIPTION 2	75(X80K) EXTERIOR VIEW	PART NO.		SHEET/PAGES	4 / 5

SU-WL 850

SU-WL 855 WITH LATERAL SHAFT BRACKET



DESCRIPTION 1 75(X80K) EXTERIOR VIEW	LEGAL OWNER Sony Corporation	SCALE 1:7
DESCRIPTION 2 75(X80K) EXTERIOR VIEW	PART NO.	SHEET/PAGES 5/ 5