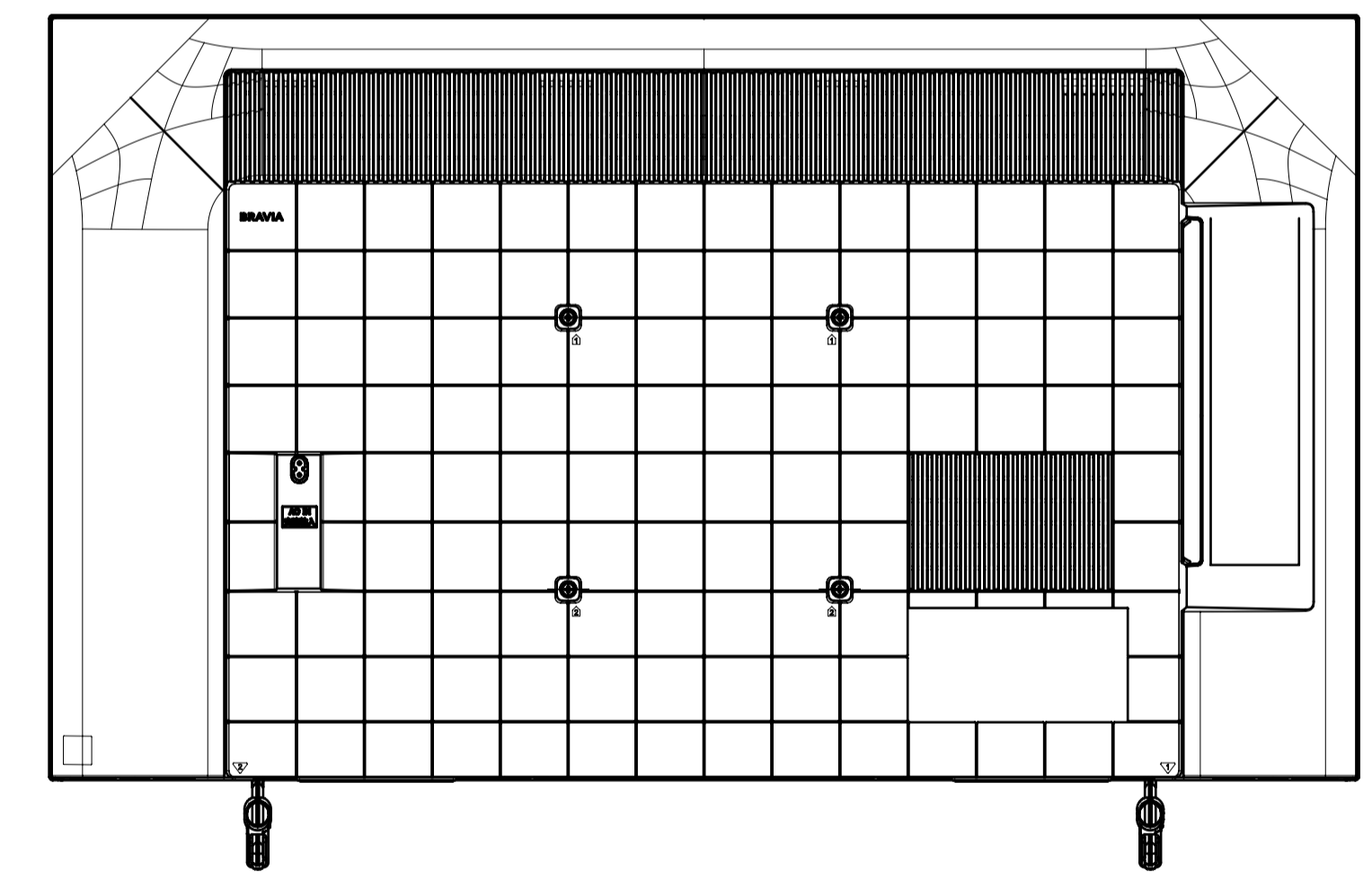
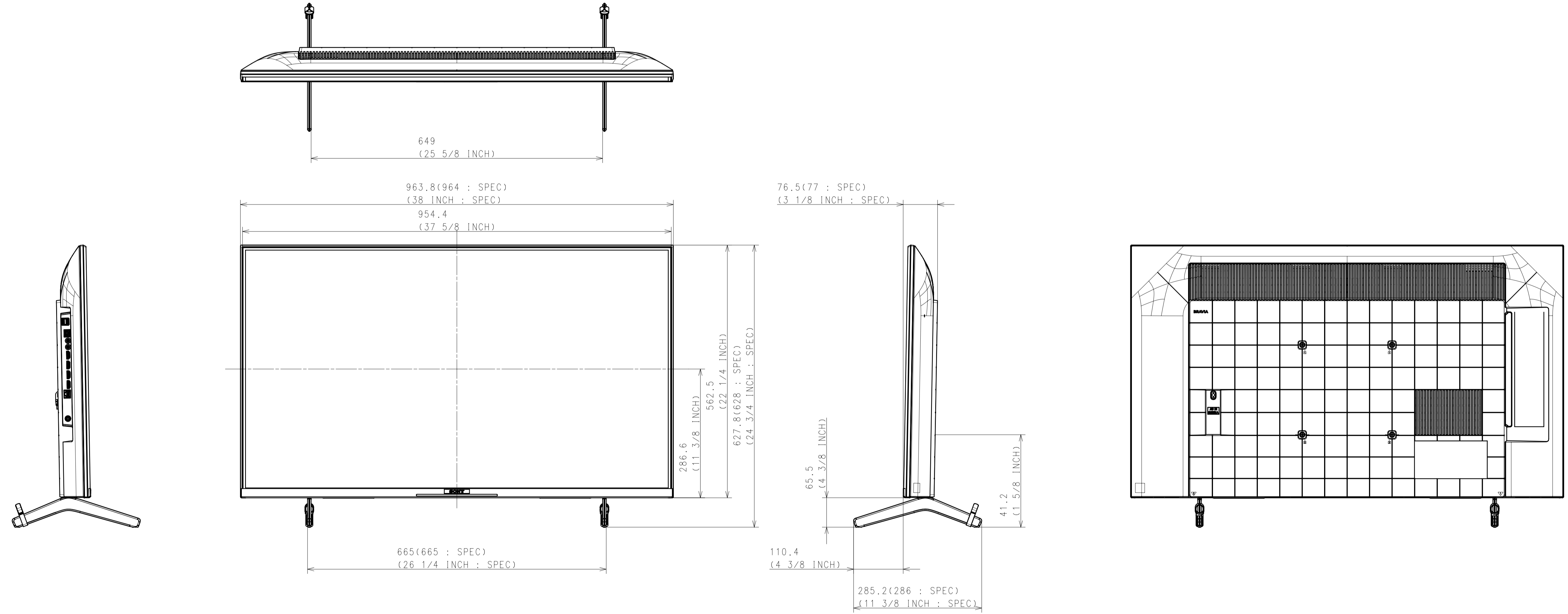


Area	JAPAN	NORTH AMERICA	EUROPE	EUROPE DERIVATIVE 2	GENERAL AREA	CHINA	
Model Name	KJ-43X85J	KD-43X85J	KD-43X85TJ	KD-43X89J	KD-43X86J	KD-43X85J	
SV No.	SV-39380	SV-39191	SV-39362	SV-39363	SV-39253	SV-39313	
DIMENSION	TV only (W x H x D)	96.4 x 56.3 x 6.9 cm	964 x 563 x 69 mm / 38 x 22 1/4 x 2 3/4 inch	Approx. 96.4 x 56.3 x 6.9 cm	Approx. 96.4 x 56.3 x 6.9 cm	Approx. 964 x 563 x 69 mm	Approx. 964 x 563 x 69 mm
	TV with Stand (Standard position) (W x H x D)	96.4 x 62.8 x 28.6 cm	964 x 628 x 286 mm / 38 x 24 3/4 x 11 3/8 inch	Approx. 96.4 x 62.8 x 28.6 cm	Approx. 96.4 x 62.6 x 29.6 cm	Approx. 964 x 628 x 286 mm	Approx. 964 x 628 x 286 mm
	TV with Stand (Narrow position) (W x H x D)	-	-	-	-	-	-
	TV with Stand (Soundbar position) (W x H x D)	-	-	-	-	-	-
	TV with Floor Stand (W x H x D)	-	-	-	-	-	-
	Stand Width (Standard position)	66.5 cm	665 mm / 26 1/4 inch	Approx. 66.5 cm	Approx. 96.2 cm	Approx. 665 mm	Approx. 665 mm
	Stand Width (Narrow position)	-	-	-	-	-	-
	Stand Width (Soundbar position)	-	-	-	-	-	-
WEIGHT	TV Only	10.2 kg	10.2 kg / 22.5 lb	Approx. 10.2 kg	Approx. 10.2 kg	Approx. 10.2 kg	Approx. 10.2 kg
	TV with Stand (Standard position)	10.7 kg	10.7 kg / 23.6 lb	Approx. 10.7 kg	Approx. 11.2 kg	Approx. 10.7 kg	Approx. 10.7 kg
	TV with Stand (Narrow position)	-	-	-	-	-	-
	TV with Stand (Soundbar position)	-	-	-	-	-	-
	TV with Floor Stand	-	-	-	-	-	-
	Floor Stand weight (Supply)	-	-	-	-	-	-
Remarks				Premium Edge Stand			

WITH STAND

MAIN STAND (STANDARD POSITION)
Except KD-43X89J (EUROPE DERIVATIVE)



Purchase recycled resins and wire rods only from the business partners that Sony approves as Green Partners.
再生樹脂・電線電纜はグリーンパートナー認定品から調達すること。

DATE OF ISSUE	DOCUMENT TYPE	ASSEMBLY DRAWING	TOLERANCE	FINISH/COLOR
2020.12.31	ASSEMBLY	ASSEMBLY		

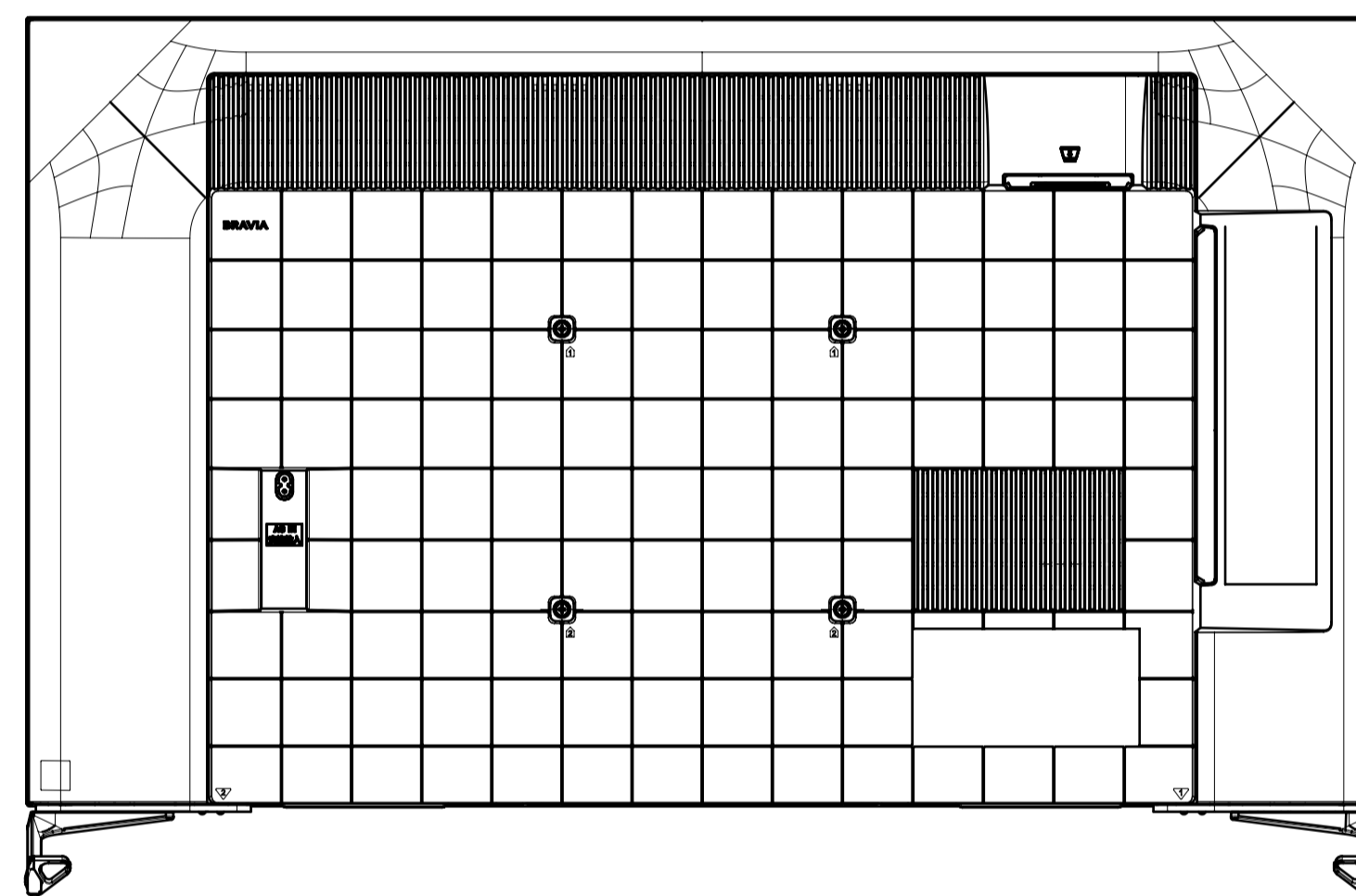
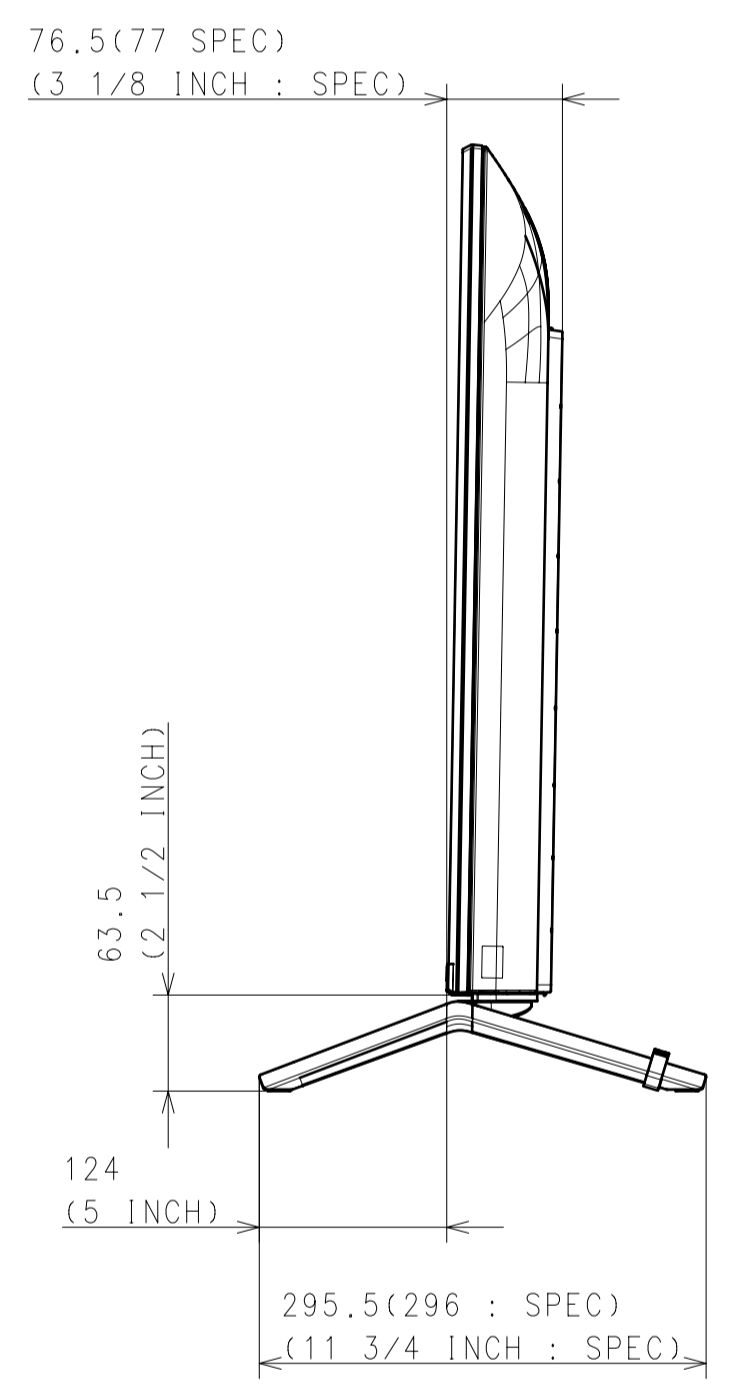
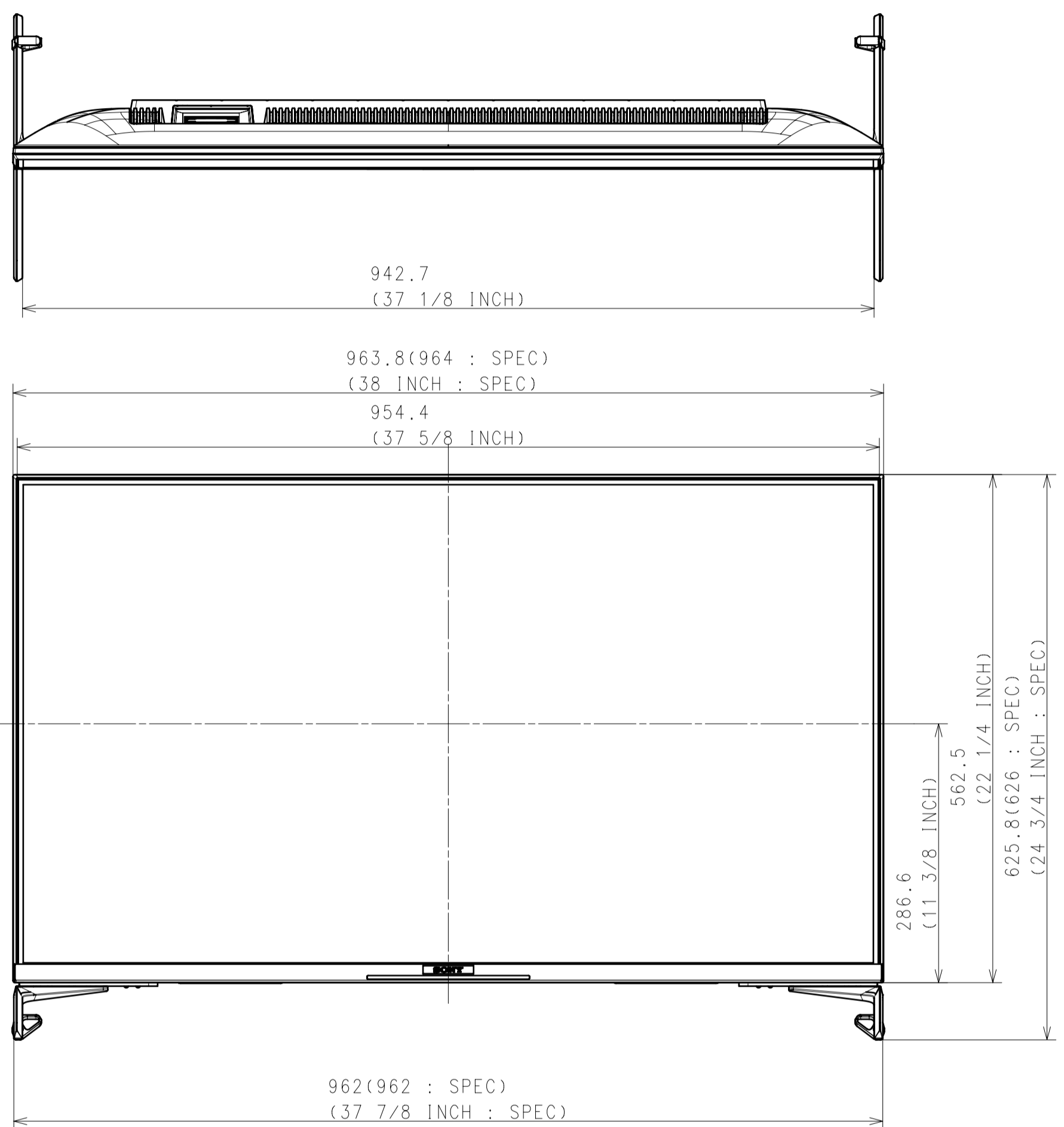
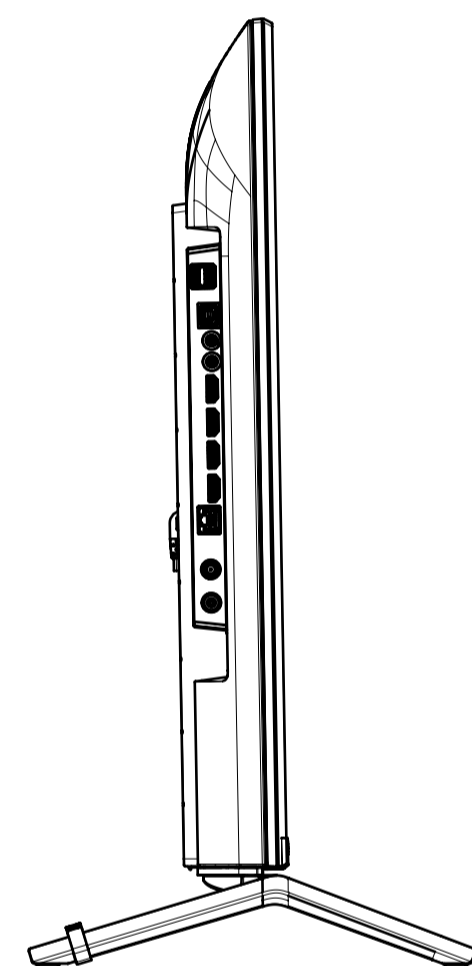
HISTORY	SUFFIX	RELEASE NO.	DATE	REVISION	SIGN.
1					

RESPONSIBLE DEPARTMENT	PLANNED BY	DESIGNED BY	CHECKED BY	APPROVED BY	SCALE	ORIGINAL MODEL	DESCRIPTION
PLANE & MECHANICAL DESIGN	2020.12.31	BRYAN CHIEH DSI-WECH			1:5	SV-39253 (VNS)	43 (X85J) EXTERIOR VIEW
	2020.12.31	BRYAN CHIEH DSI-WECH				SV-39253 (VNS)	43 (X85J) EXTERIOR VIEW

SIZE	UNIT	PAGE NO.	SUFFIX	REV. NO.	SHEET/PAGES
A1	mm				1/4

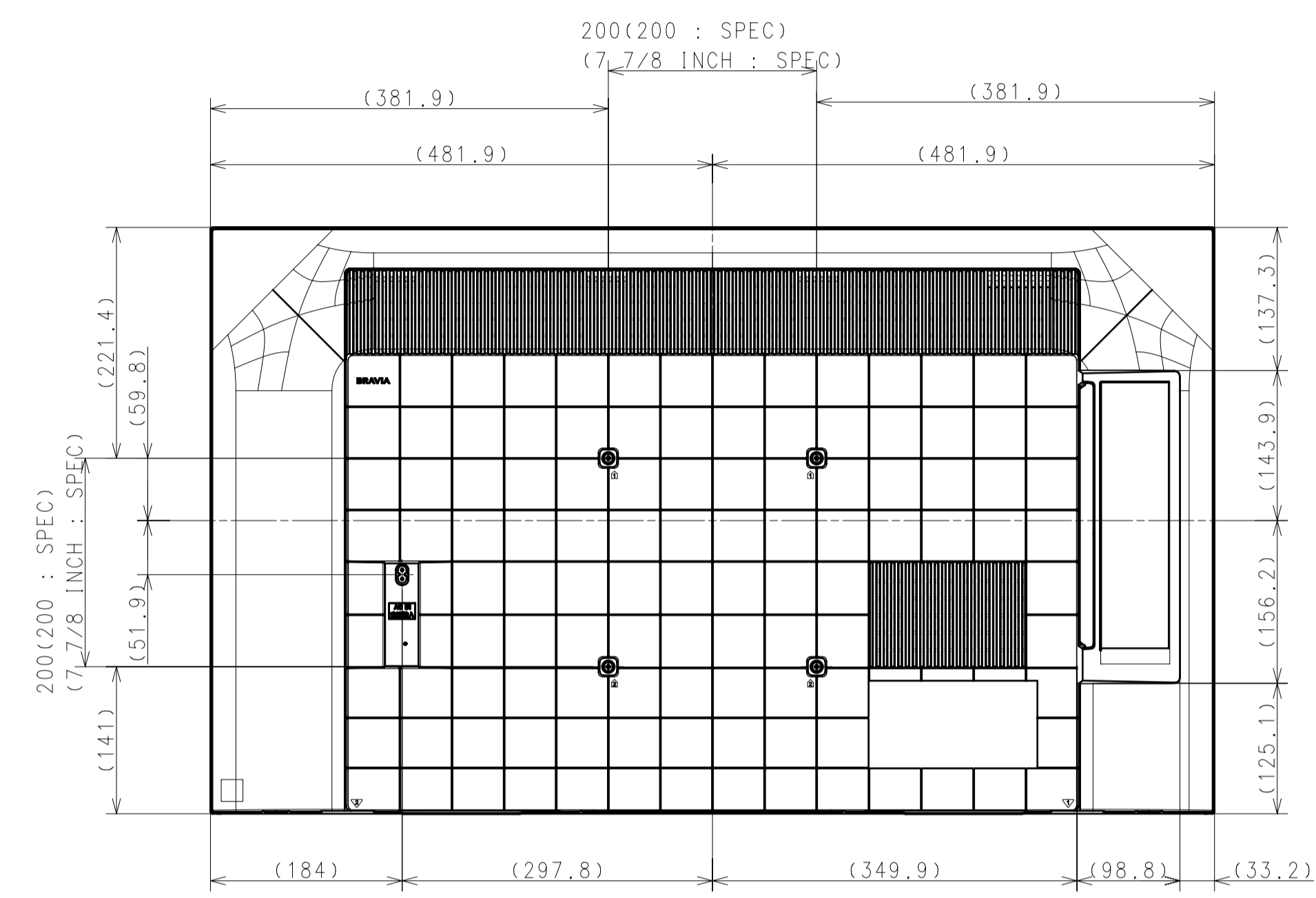
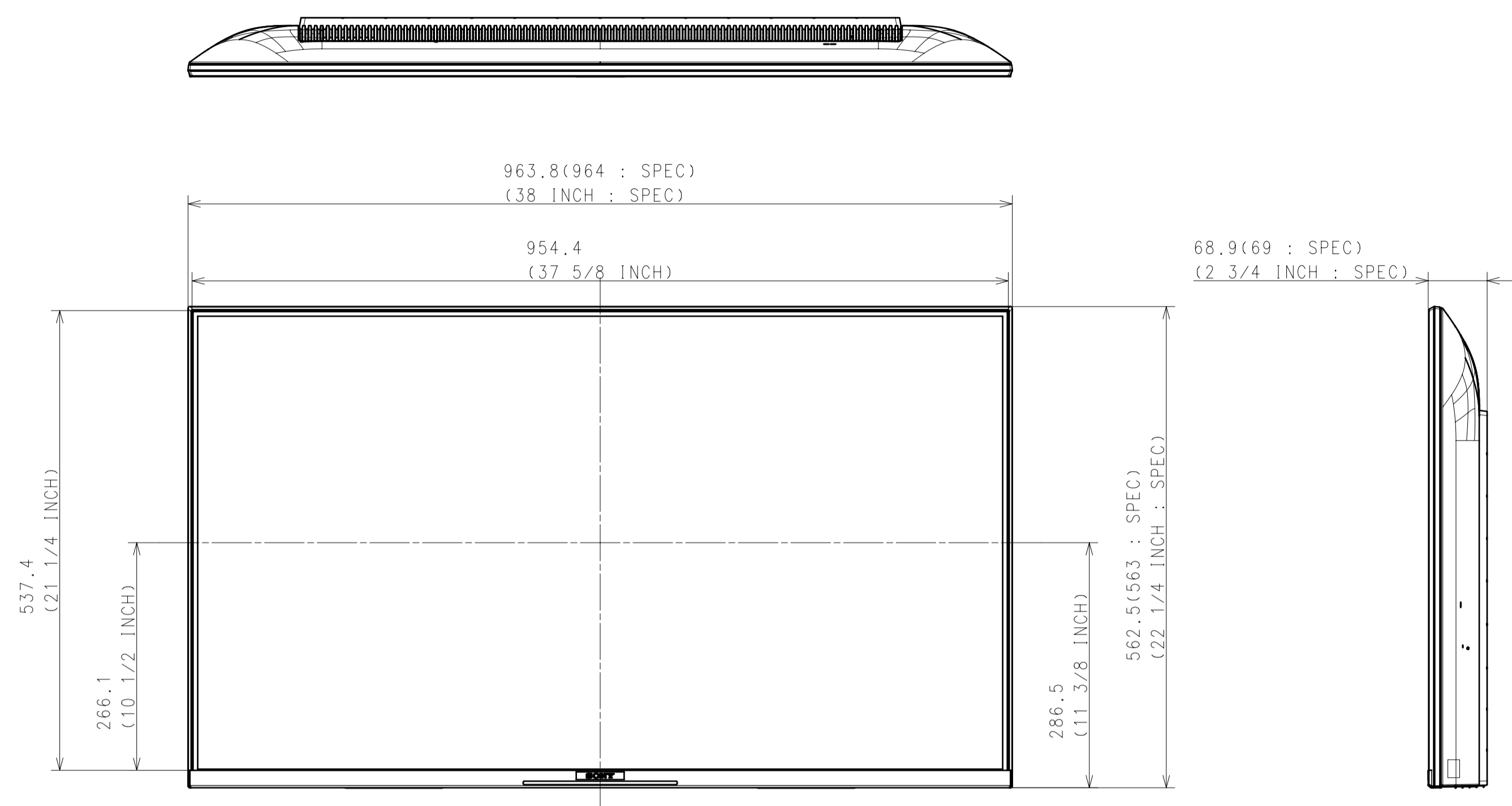
WITH STAND

PREMIUM EDGE STAND (STANDARD POSITION)
 KD-43X89J (EUROPE DERIVATIVE) only

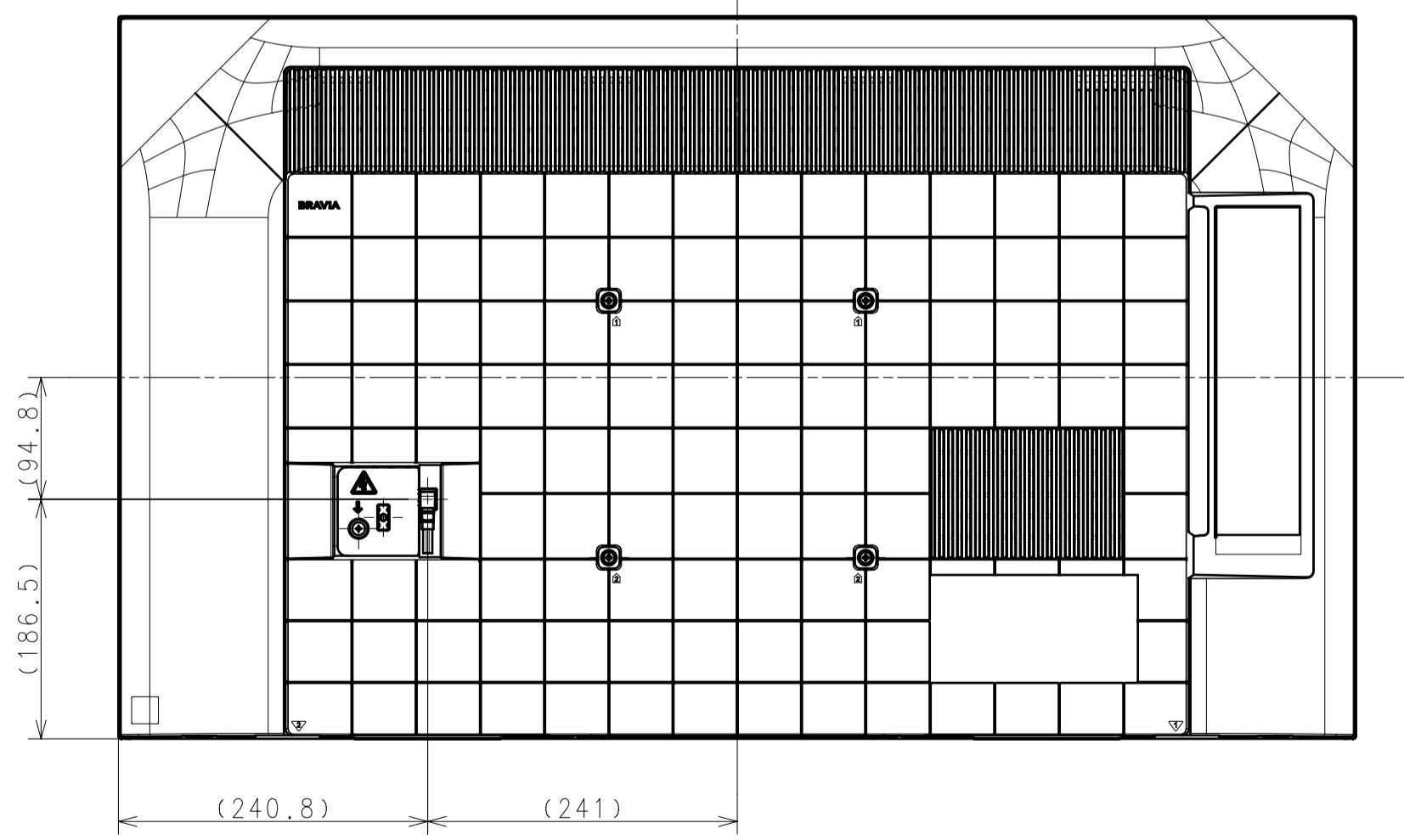


DESCRIPTION 1	LEGAL OWNER	SCALE
43 (X85J) EXTERIOR VIEW	Sony Corporation	1:5
DESCRIPTION 2	PART NO.	SHEET/PAGES
43 (X85J) EXTERIOR VIEW		2 / 4

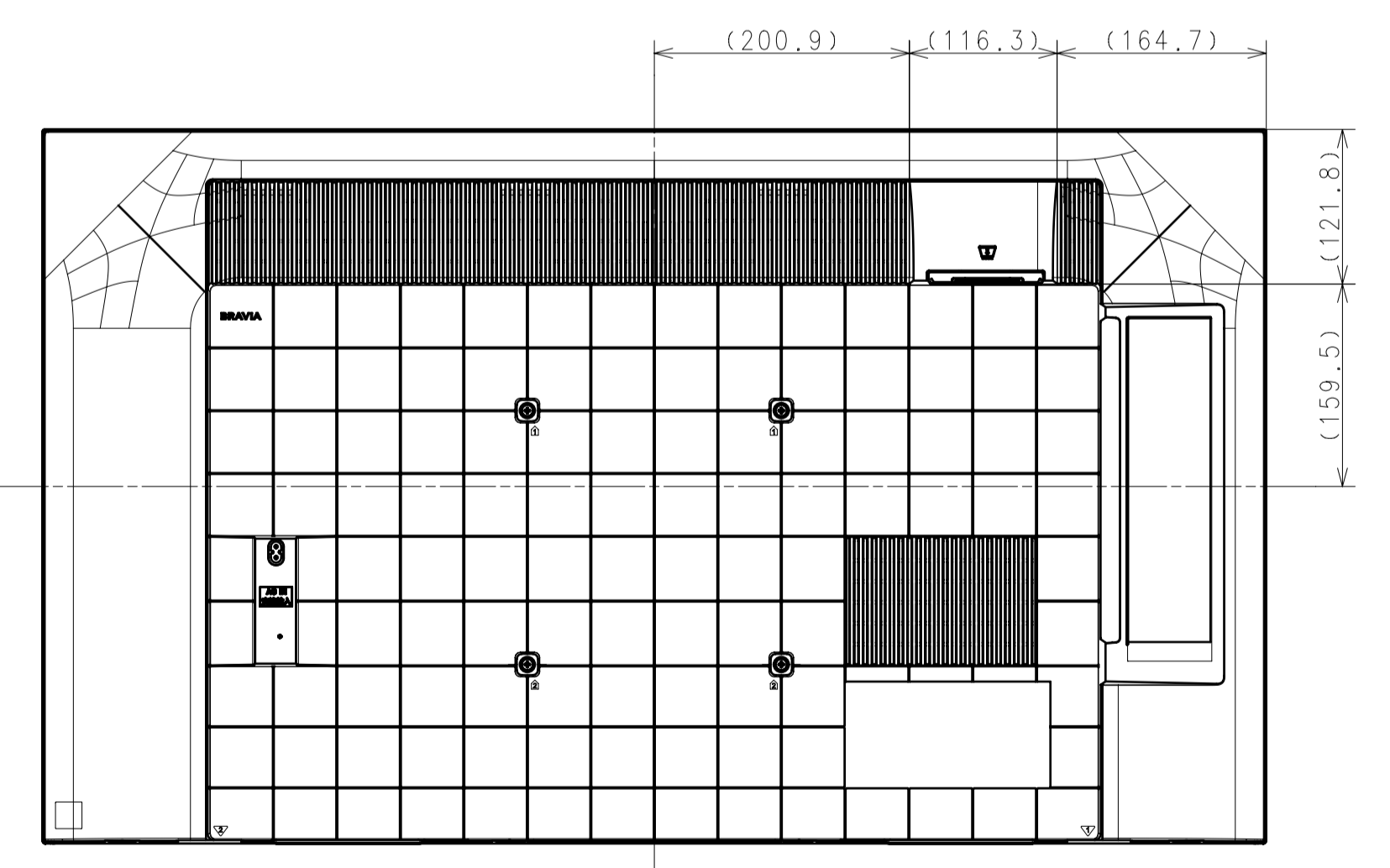
WITHOUT STAND



For. NORTH AMERICA, GENERAL AREA, CHINA



For. JAPAN



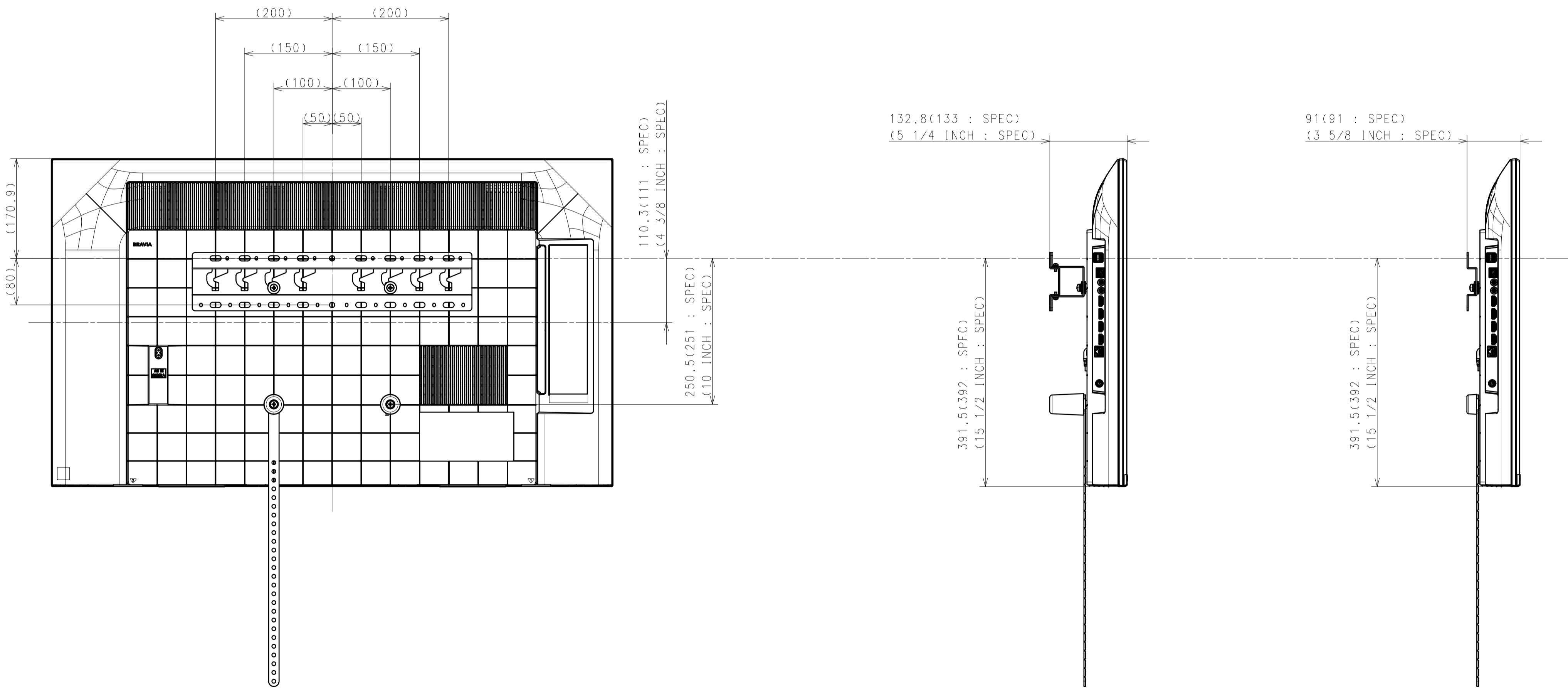
For. EUROPE

DESCRIPTION 1	LEGAL OWNER	SCALE
43 (X85J) EXTERIOR VIEW	Sony Corporation	1:5
DESCRIPTION 2	PART NO.	SHEET/PAGES
43 (X85J) EXTERIOR VIEW		3 / 4

SU-WL450

STANDARD

SLIM



DESCRIPTION	LEGAL OWNER	SCALE
43 (X85J) EXTERIOR VIEW	Sony Corporation	1:5
DESCRIPTION	PART NO.	SHEET/PAGES
43 (X85J) EXTERIOR VIEW		4 / 4