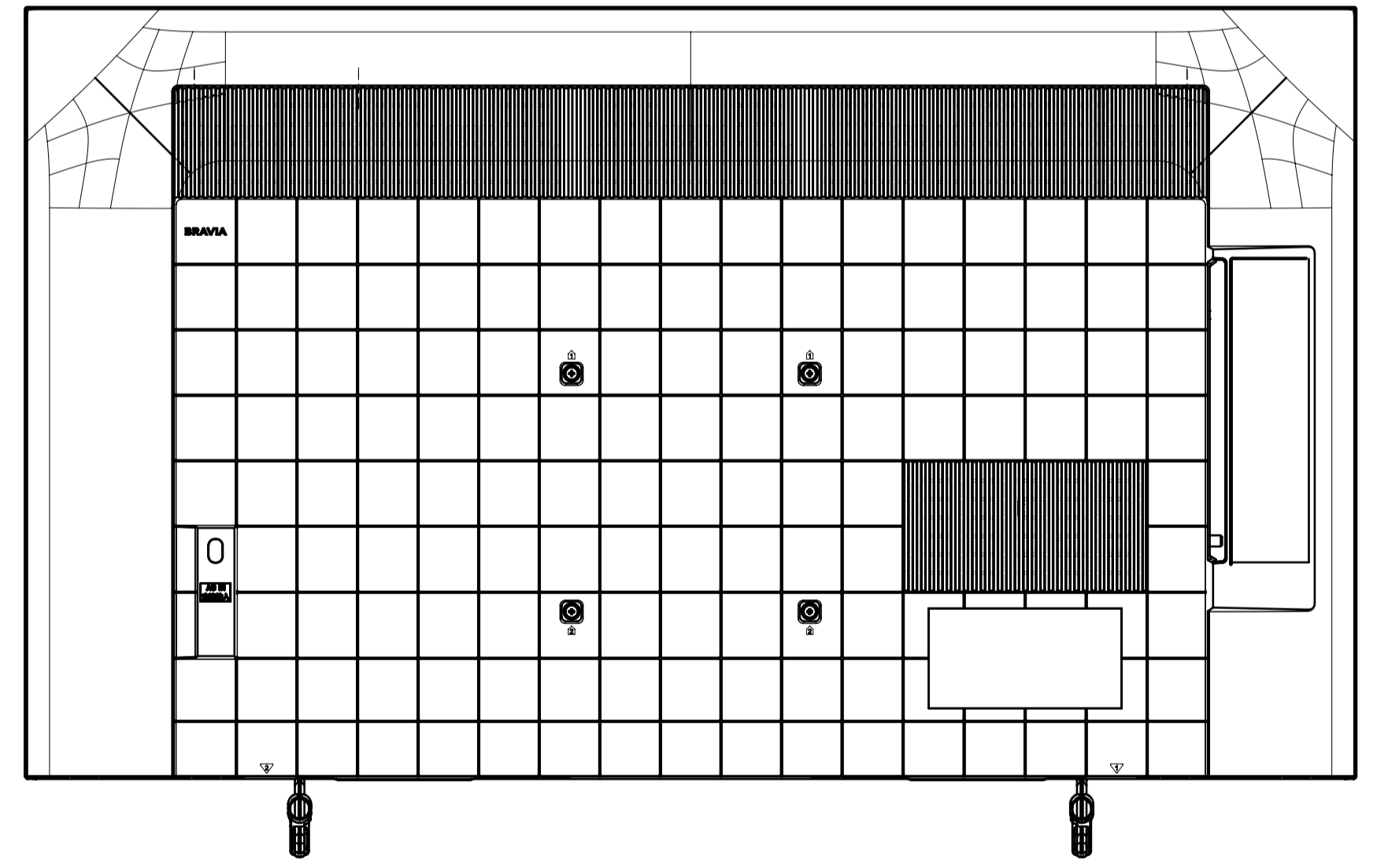
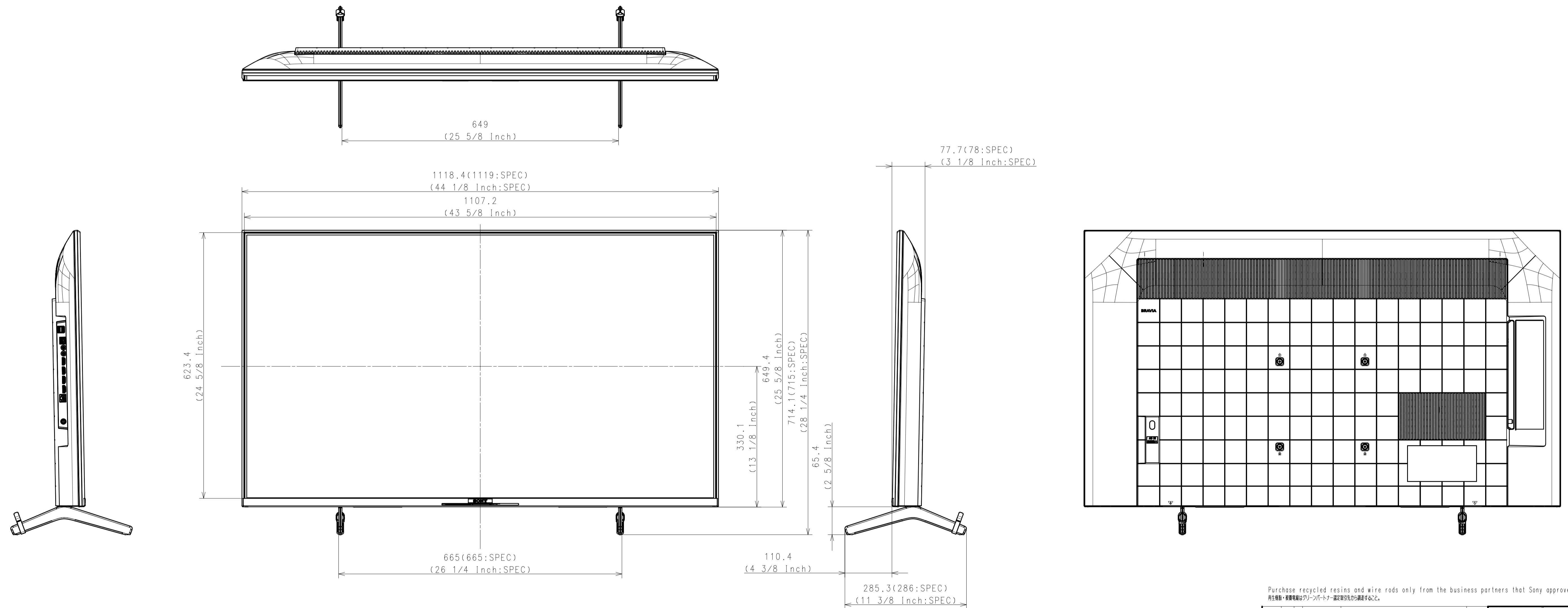


Area	JAPAN	NORTH AMERICA	EUROPE	EUROPE DERIVATIVE 2	GENERAL AREA	CHINA	
Model Name	KJ-50X85J	KD-50X85J	KD-50X85TJ	KD-50X89J	KD-50X85J	KD-50X85J	
SV No.	SV-39379	SV-39190	SV-39360	SV-39359	SV-39249	SV-39312	
DIMENSION	TV only (W x H x D)	111.9 x 64.9 x 7.0 cm	1119 x 649 x 70 mm / 44 1/8 x 25 5/8 x 2 7/8 inch	Approx. 111.9 x 64.9 x 7.0 cm	Approx. 111.9 x 64.9 x 7.0 cm	Approx. 1119 x 649 x 70 mm	Approx. 1119 x 649 x 70 mm
	TV with Stand (Standard position) (W x H x D)	111.9 x 71.5 x 28.6 cm	1119 x 715 x 286 mm / 44 1/8 x 28 1/4 x 11 3/8 inch	Approx. 111.9 x 71.5 x 28.6 cm	Approx. 111.9 x 71.3 x 29.6 cm	Approx. 1119 x 715 x 286 mm	Approx. 1119 x 715 x 286 mm
	TV with Stand (Narrow position) (W x H x D)	-	-	-	-	-	-
	TV with Stand (Soundbar position) (W x H x D)	-	-	-	-	-	-
	TV with Floor Stand (W x H x D)	-	-	-	-	-	-
	Stand Width (Standard position)	66.5 cm	665 mm / 26 1/4 inch	Approx. 66.5 cm	Approx. 111.7 cm	Approx. 665 mm	Approx. 665 mm
	Stand Width (Narrow position)	-	-	-	-	-	-
	Stand Width (Soundbar position)	-	-	-	-	-	-
	Floor Stand Width	-	-	-	-	-	-
VESA Hole Pitch	20.0 x 20.0 cm	200 x 200 mm / 7 7/8 x 7 7/8 inch	20.0 x 20.0 cm	20.0 x 20.0 cm	200 x 200 mm	200 x 200 mm	
WEIGHT	TV Only	12.7 kg	12.7 kg / 28 lb	Approx. 12.7 kg	Approx. 12.7 kg	Approx. 12.7 kg	Approx. 12.7 kg
	TV with Stand (Standard position)	13.3 kg	13.3 kg / 29.3 lb	Approx. 13.3 kg	Approx. 13.9 kg	Approx. 13.3 kg	Approx. 13.3 kg
	TV with Stand (Narrow position)	-	-	-	-	-	-
	TV with Stand (Soundbar position)	-	-	-	-	-	-
	TV with Floor Stand	-	-	-	-	-	-
	Floor Stand weight (Supply)	-	-	-	-	-	-
W-M't Br. Weight (Supply)	-	-	-	-	-	-	
Remarks				PREMIUM EDGE STAND			

WITH STAND

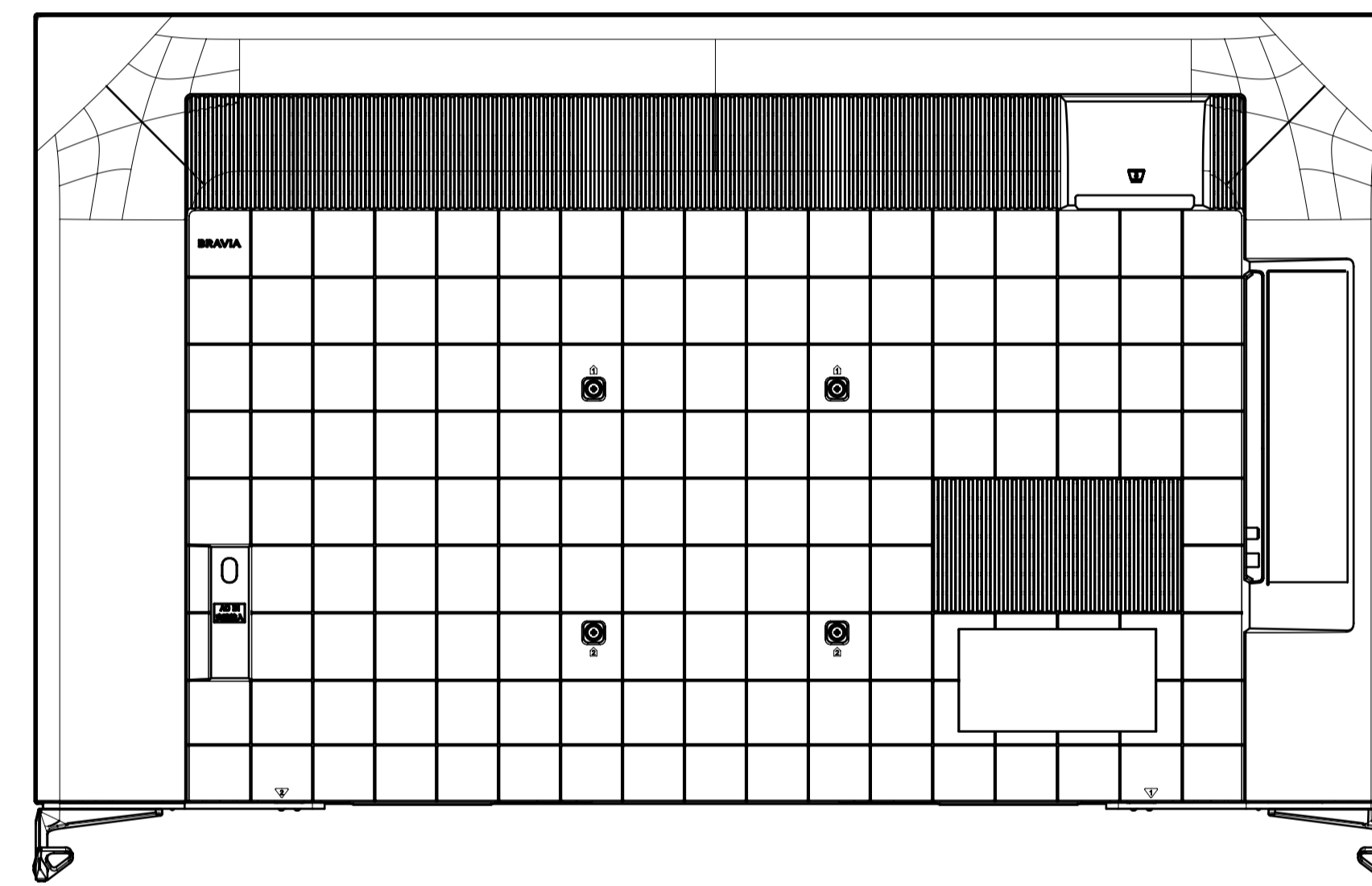
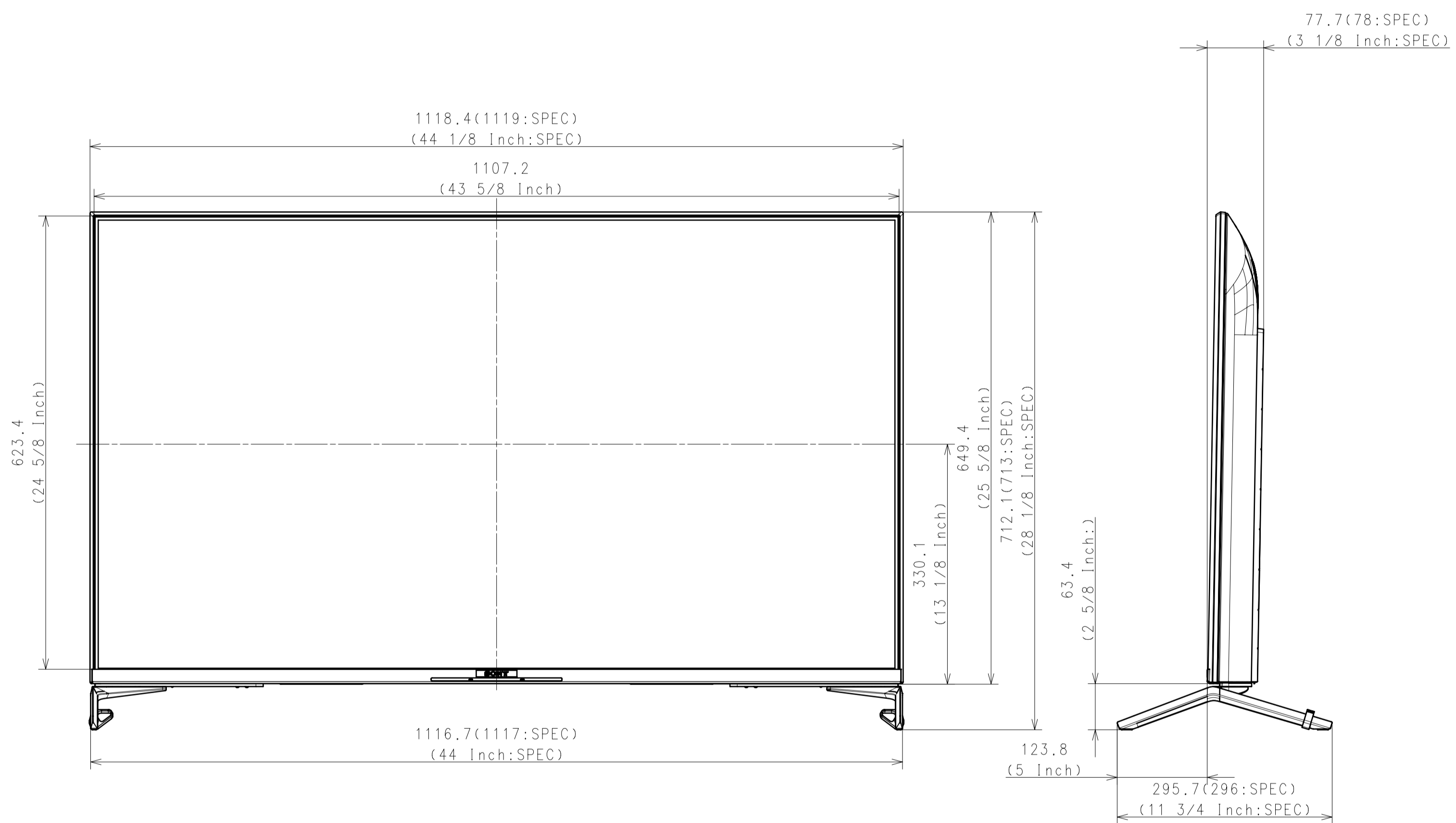
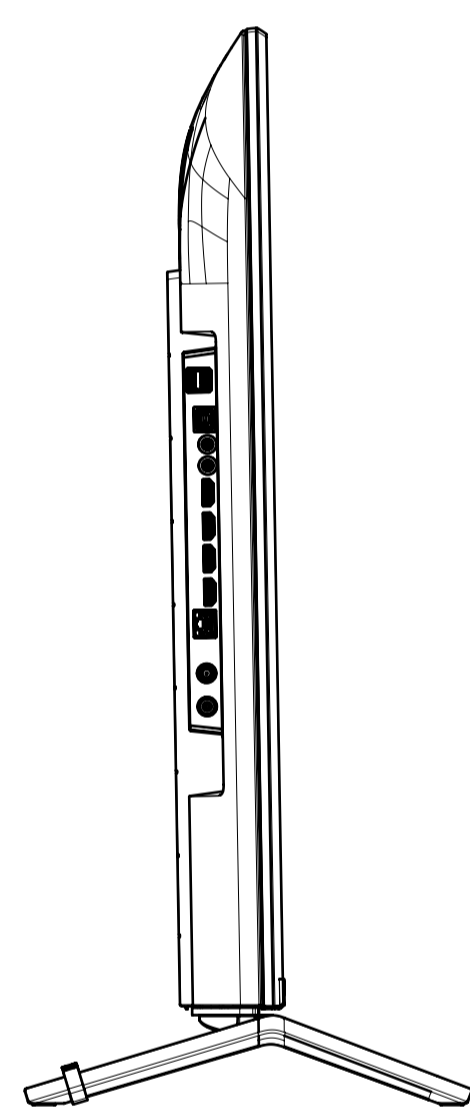
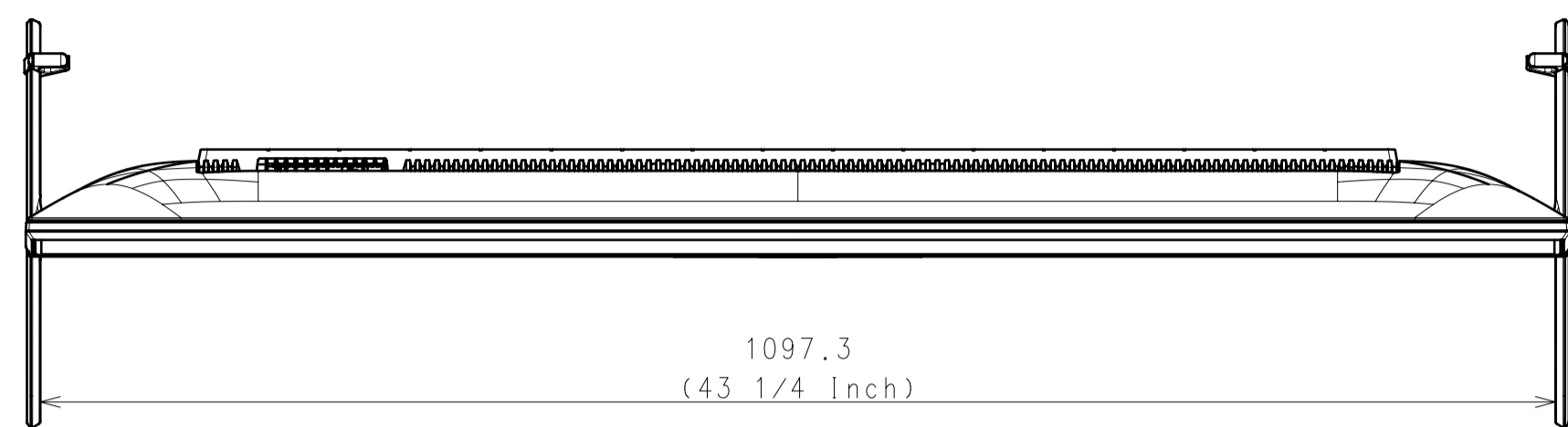
MAIN STAND
STANDARD POSITION
Except KD-50X89J(EUROPE DERIVATIVE)



Purchase recycled resins and wire rods only from the business partners that Sony approves as Green Partners.
再生樹脂・電線電纜はグリーンパートナー 認定製品からの調達を促す。

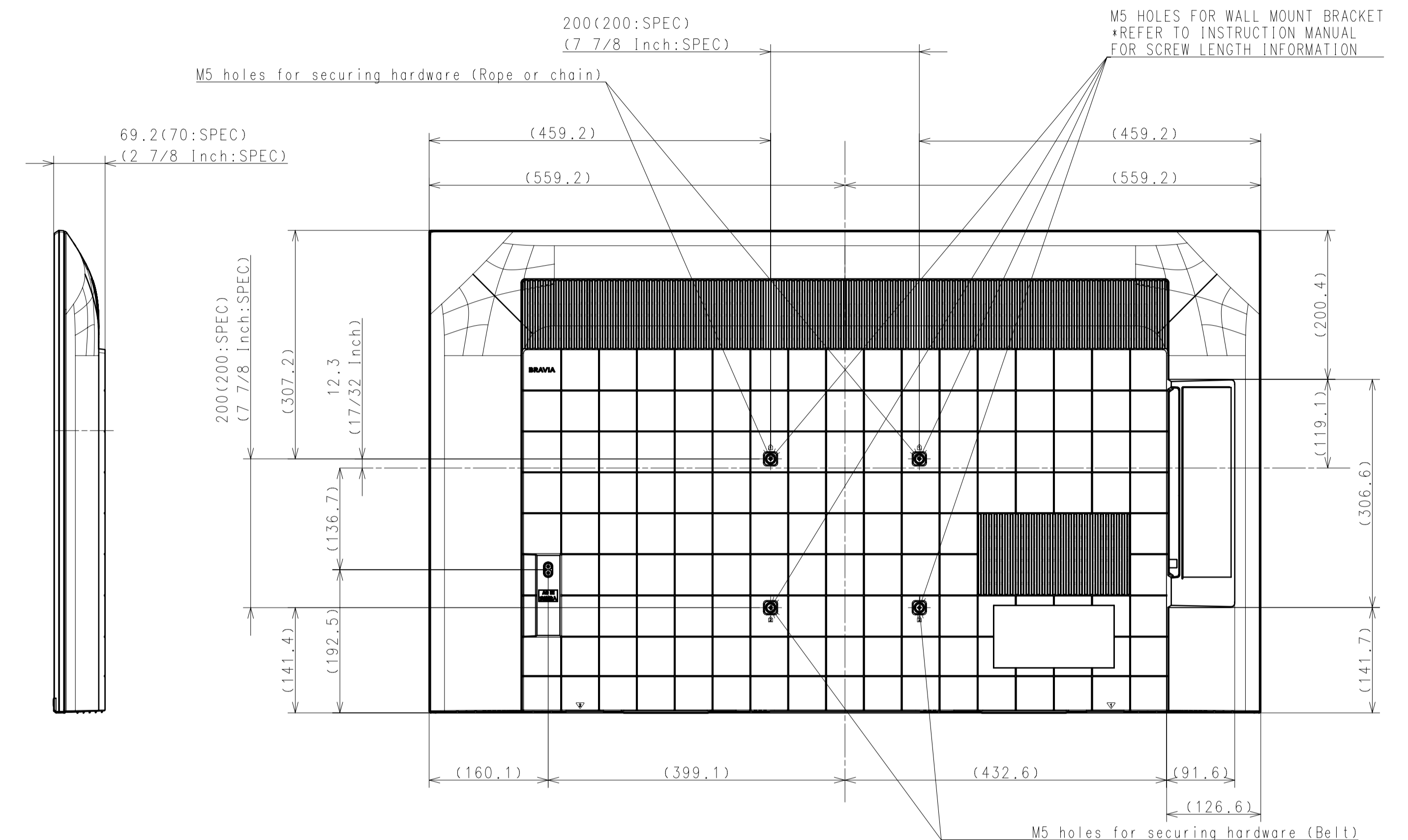
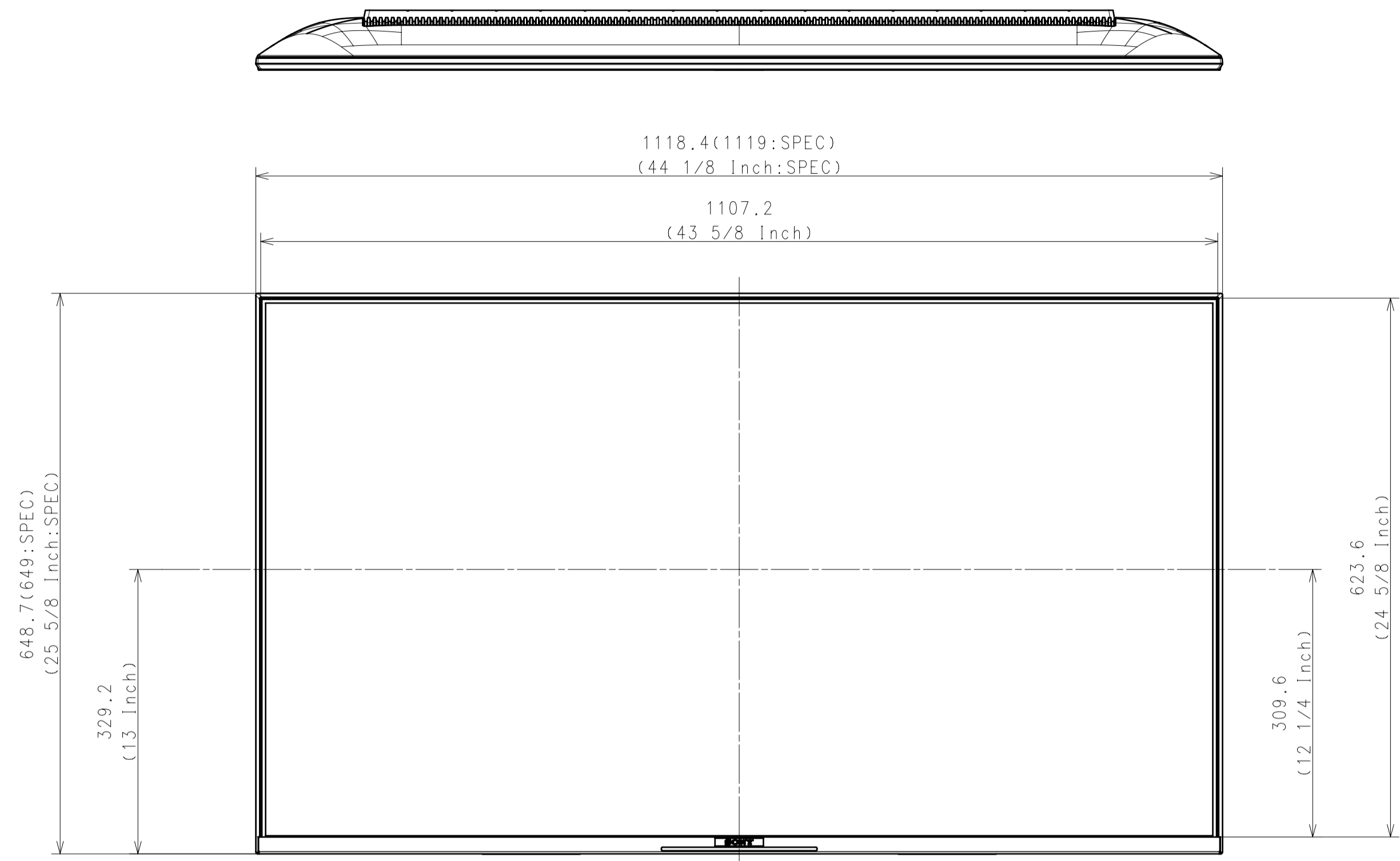
DATE OF ISSUE 2020.11.03	DOCUMENT TYPE ASSEMBLY DRAWING	GENERAL TOLERANCE	MATERIAL COLOR	FINISH COLOR
RESPONSIBLE DEPARTMENT: PLANE & MECHANICAL DESIGN ORIGINAL MODEL: 50(X85J) DESCRIPTION: 50(X85J) EXTERIOR VIEW SCALE: 1:5 SIZE: A1 UNIT: mm SHEET/PAGES: 1/4				

PREMIUM EDGE STAND
 STANDARD POSITION
 KD-50X89J (EUROPE DERIVATIVE) only

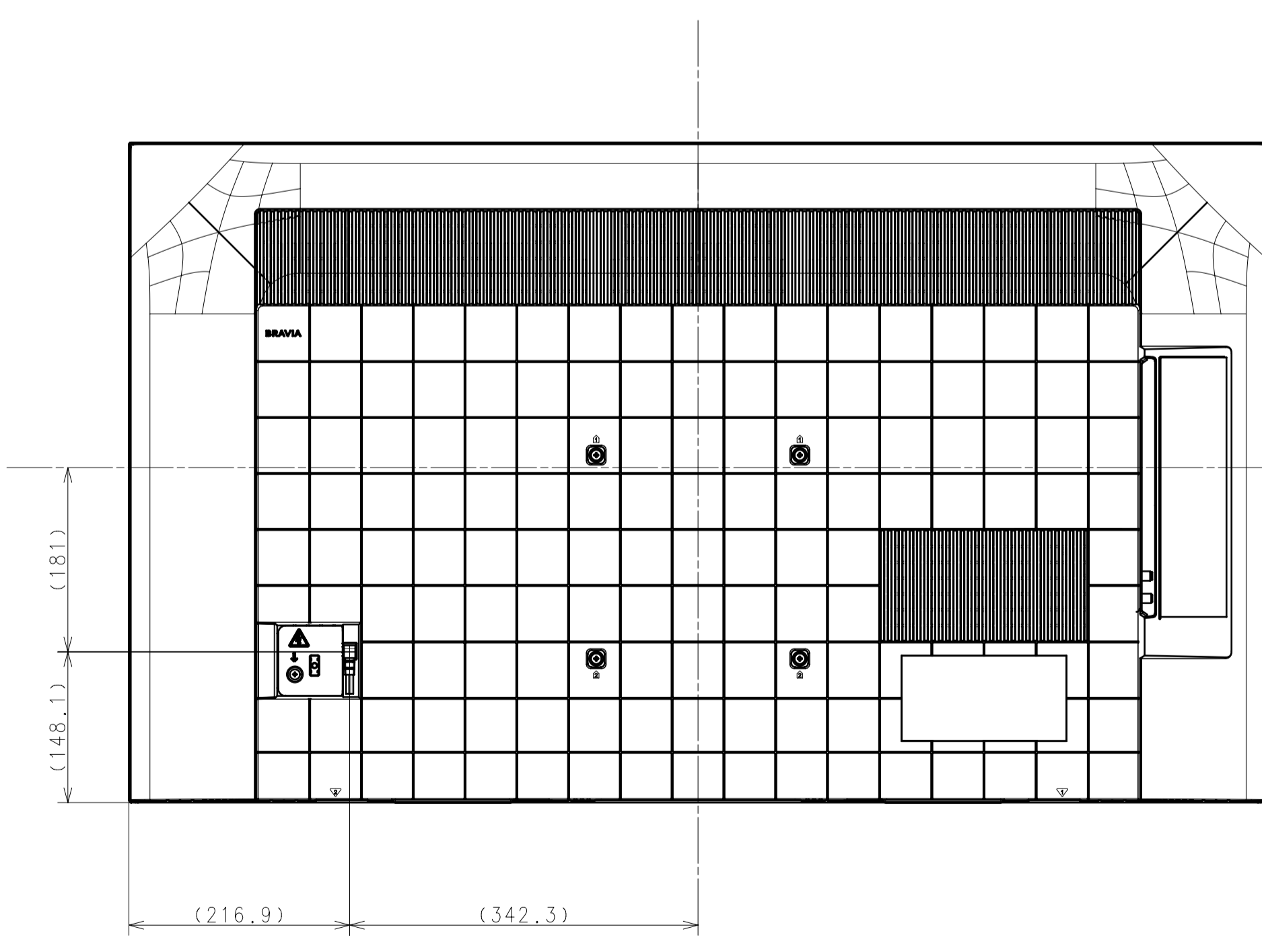


DESCRIPTION 1	LEGAL OWNER	SCALE
50(X85J) EXTERIOR VIEW	Sony Corporation	1:5
DESCRIPTION 2	PART NO.	SHEET/PAGES
50(X85J) EXTERIOR VIEW		2 / 4

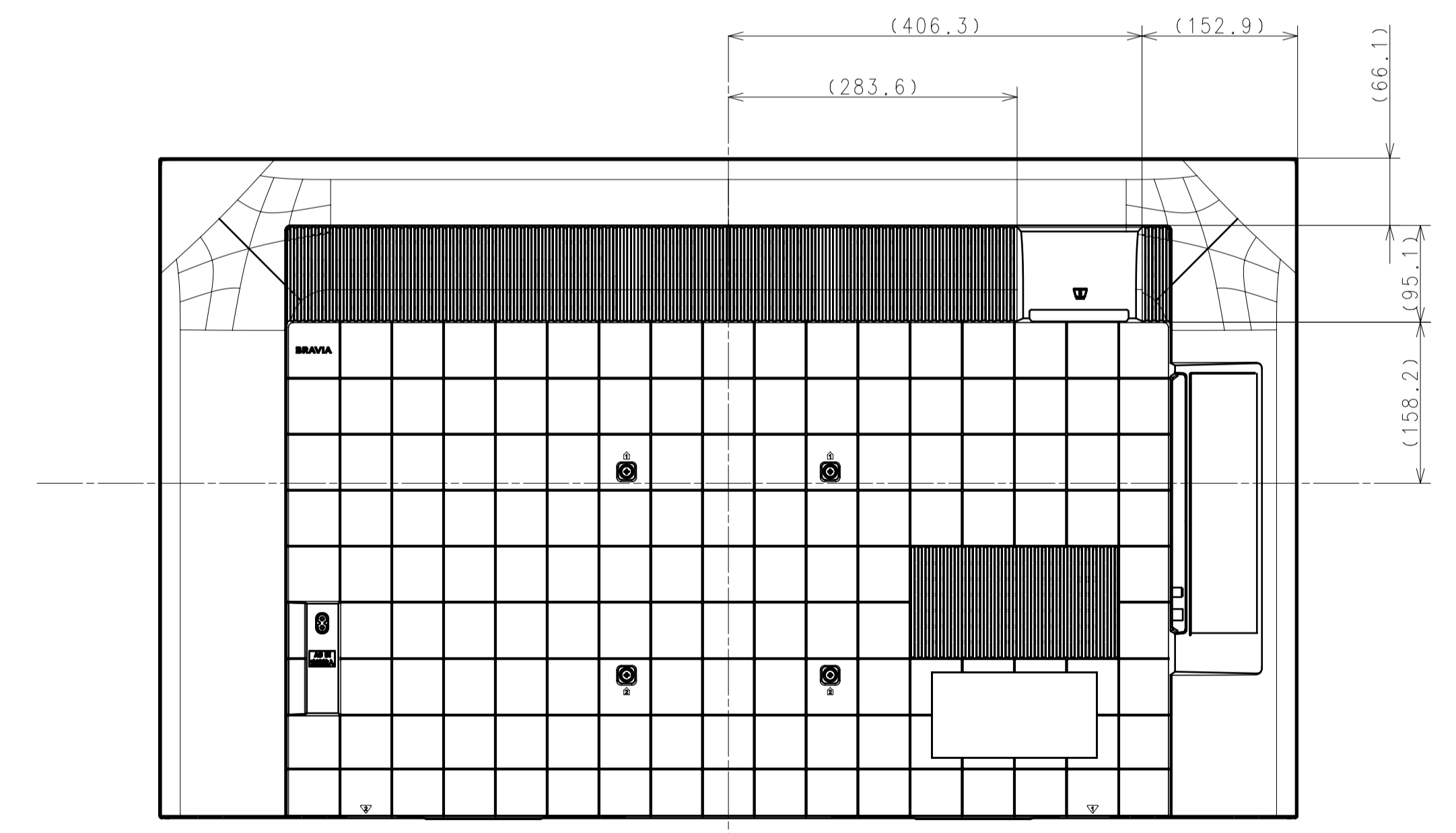
WITHOUT STAND



For GENERAL AREA, NORTH AMERICA, CHINA



For JAPAN



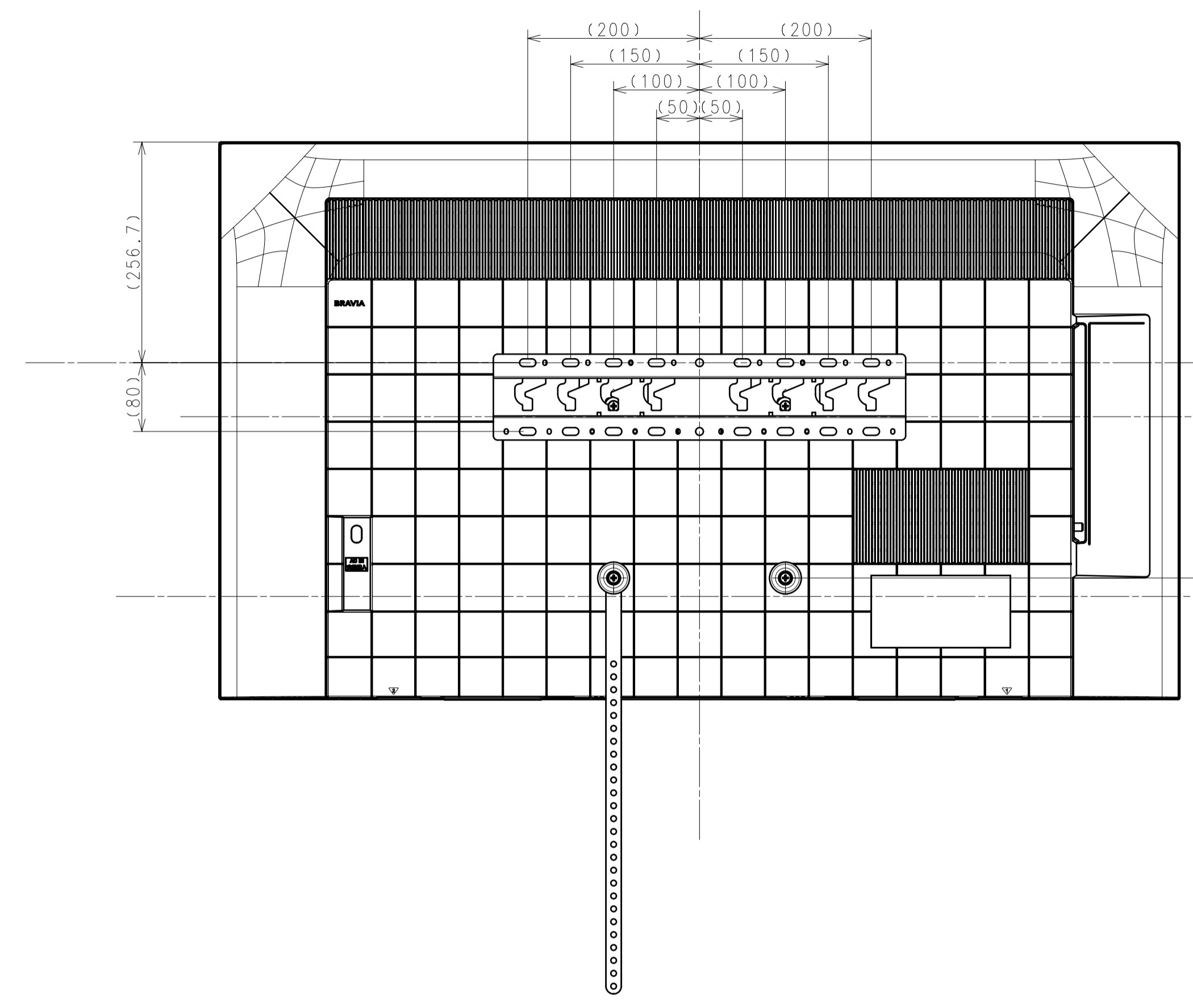
For EUROPE

DESCRIPTION 1 50(X85J) EXTERIOR VIEW	LEGAL OWNER Sony Corporation	SCALE 1:5
DESCRIPTION 2 50(X85J) EXTERIOR VIEW	PART NO.	SHEET/PAGES 3 / 4

SU-WL450

STANDARD

SLIM



62.8(63:SPEC)
(2.172 Inch:SPEC)

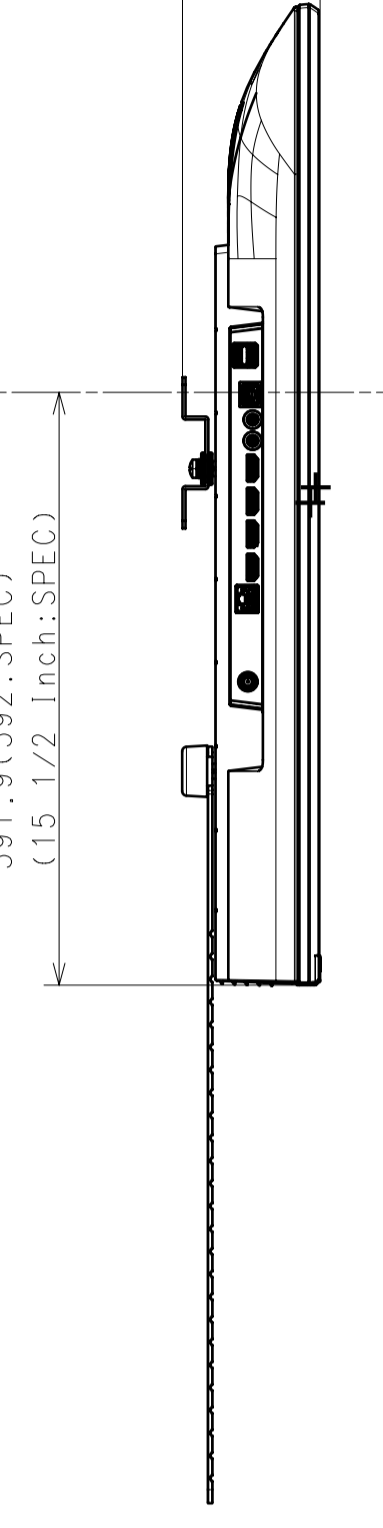
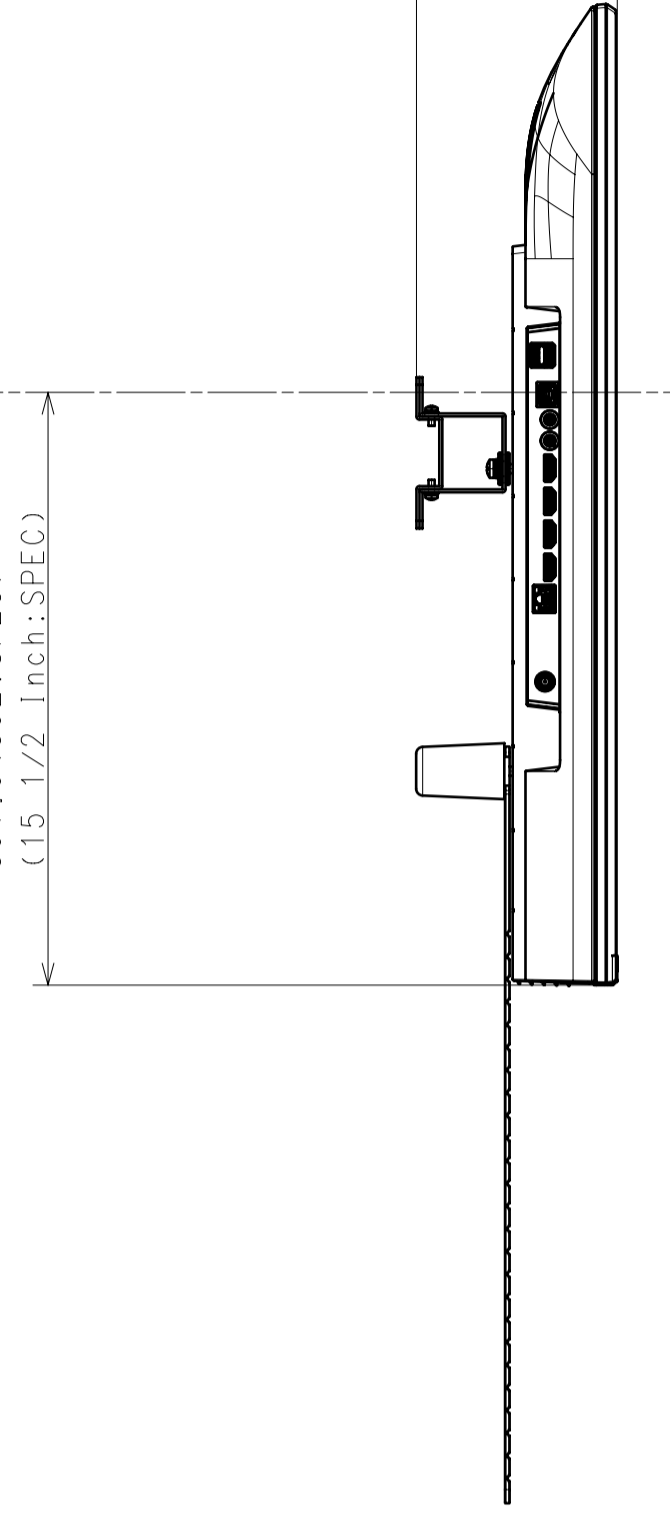
250.5(251:SPEC)
(10 Inch:SPEC)

132.8(133:SPEC)
(5.174 Inch:SPEC)

391.9(392:SPEC)
(15.172 Inch:SPEC)

91(91:SPEC)
(3.578 Inch:SPEC)

391.9(392:SPEC)
(15.172 Inch:SPEC)



DRAWING

SONY STANDARD

A1 '18.08

DESCRIPTION1 50(X85J) EXTERIOR VIEW	LEGAL OWNER Sony Corporation	SCALE 1:5
DESCRIPTION2 50(X85J) EXTERIOR VIEW	PART NO.	SHEET/PAGES 4/4