

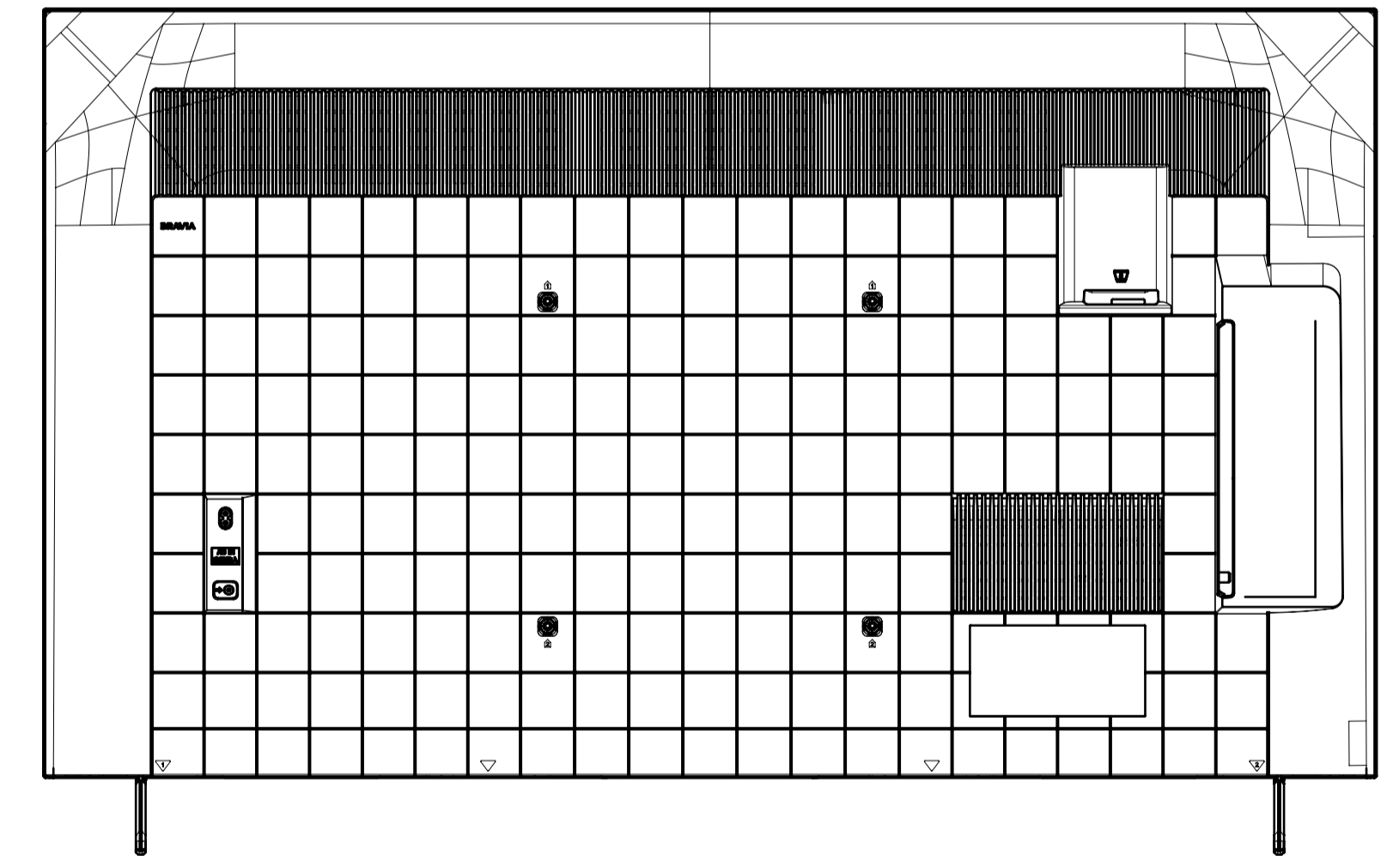
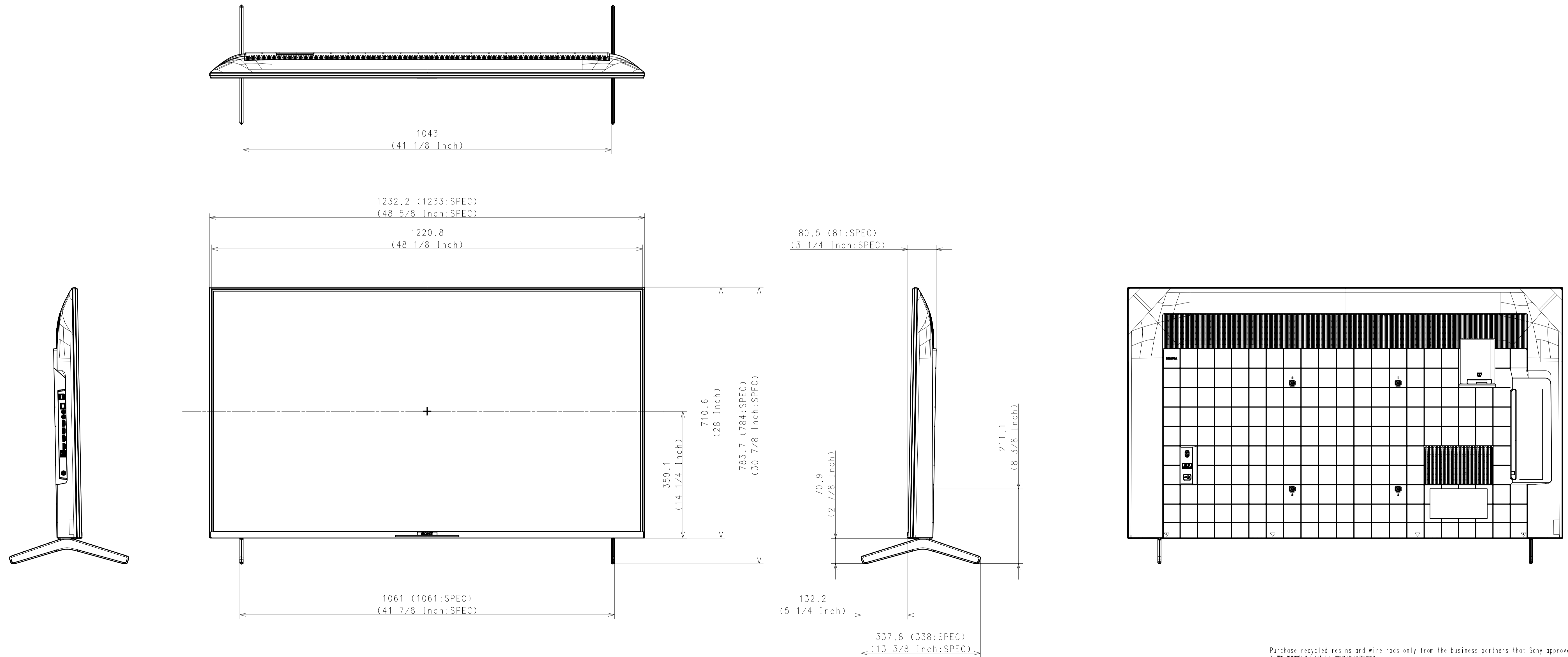
# 55 (X85J) EXTERIOR VIEW

Updated : 2021.01.14

Area		JAPAN	NORTH AMERICA	LATIN AMERICA	EUROPE	EUROPE 2	EUROPE DERIVATIVE 2	GENERAL AREA	CHINA
Model Name		KJ-55X85J	KD-55X85J	KD-55X85J	KD-55X85J	KD-55X85TJ	KD-55X89J	KD-55X86J	KD-55X85J
SV No.		SV-39378	SV-39189	SV-39202	SV-39356	SV-39358	SV-39357	SV-39245	SV-39311
DIMENSION	TV only (W x H x D)	123.3 x 71.1 x 7.2 cm	1233 x 711 x 72 mm / 48 5/8 x 28 x 2 7/8 inch	1233 x 711 x 72 mm	Approx. 123.3 x 71.1 x 7.2 cm	Approx. 123.3 x 71.1 x 7.2 cm	Approx. 123.3 x 71.1 x 7.2 cm	Approx. 123.3 x 71.1 x 7.2 cm	Approx. 123.3 x 71.1 x 7.2 cm
	TV with Stand (Standard position) (W x H x D)	123.3 x 78.4 x 33.8 cm	1233 x 784 x 338 mm / 48 5/8 x 30 7/8 x 13 3/8 inch	1233 x 784 x 338 mm	Approx. 123.3 x 78.4 x 33.8 cm	Approx. 123.3 x 78.4 x 33.8 cm	Approx. 123.3 x 78.3 x 32.4 cm	Approx. 123.3 x 78.4 x 33.8 mm	Approx. 1233 x 784 x 338 mm
	TV with Stand (Narrow position) (W x H x D)	-	-	-	-	-	-	-	-
	TV with Stand (Soundbar position) (W x H x D)	-	-	-	-	-	-	-	-
	TV with Floor Stand (W x H x D)	-	-	-	-	-	-	-	-
	Stand Width (Standard position)	106.1 cm	1061 mm / 41 7/8 inch	1061 mm	Approx. 106.1 cm	Approx. 106.1 cm	Approx. 123.0 cm	Approx. 1061 mm	Approx. 1061 mm
	Stand Width (Narrow position)	-	-	-	-	-	-	-	-
	Stand Width (Soundbar position)	-	-	-	-	-	-	-	-
	Floor Stand Width	-	-	-	-	-	-	-	-
	VESA Hole Pitch	30.0 x 30.0 cm	300 x 300 mm / 11 7/8 x 11 7/8 inch	300 x 300 mm	30.0 x 30.0 cm	30.0 x 30.0 cm	30.0 x 30.0 cm	30.0 x 30.0 cm	300 x 300 mm
WEIGHT	TV Only	16.8 kg	16.8 kg / 37.1 lb	16.8 kg	Approx. 16.8 kg	Approx. 16.8 kg	Approx. 16.8 kg	Approx. 16.8 kg	Approx. 16.8 kg
	TV with Stand (Standard position)	17.7 kg	17.7 kg / 39 lb	17.7 kg	Approx. 17.7 kg	Approx. 17.7 kg	Approx. 18.1 kg	Approx. 17.7 kg	Approx. 17.7 kg
	TV with Stand (Narrow position)	-	-	-	-	-	-	-	-
	TV with Stand (Soundbar position)	-	-	-	-	-	-	-	-
	TV with Floor Stand	-	-	-	-	-	-	-	-
Remarks	Floor Stand weight (Supply)	-	-	-	-	-	-	-	-
	M-M't Br. Weight (Supply)	-	-	-	-	-	-	-	-

## WITH STAND

MAIN STAND (STANDARD POSITION)  
Except KD-55X89J (Europe Derivative 2)

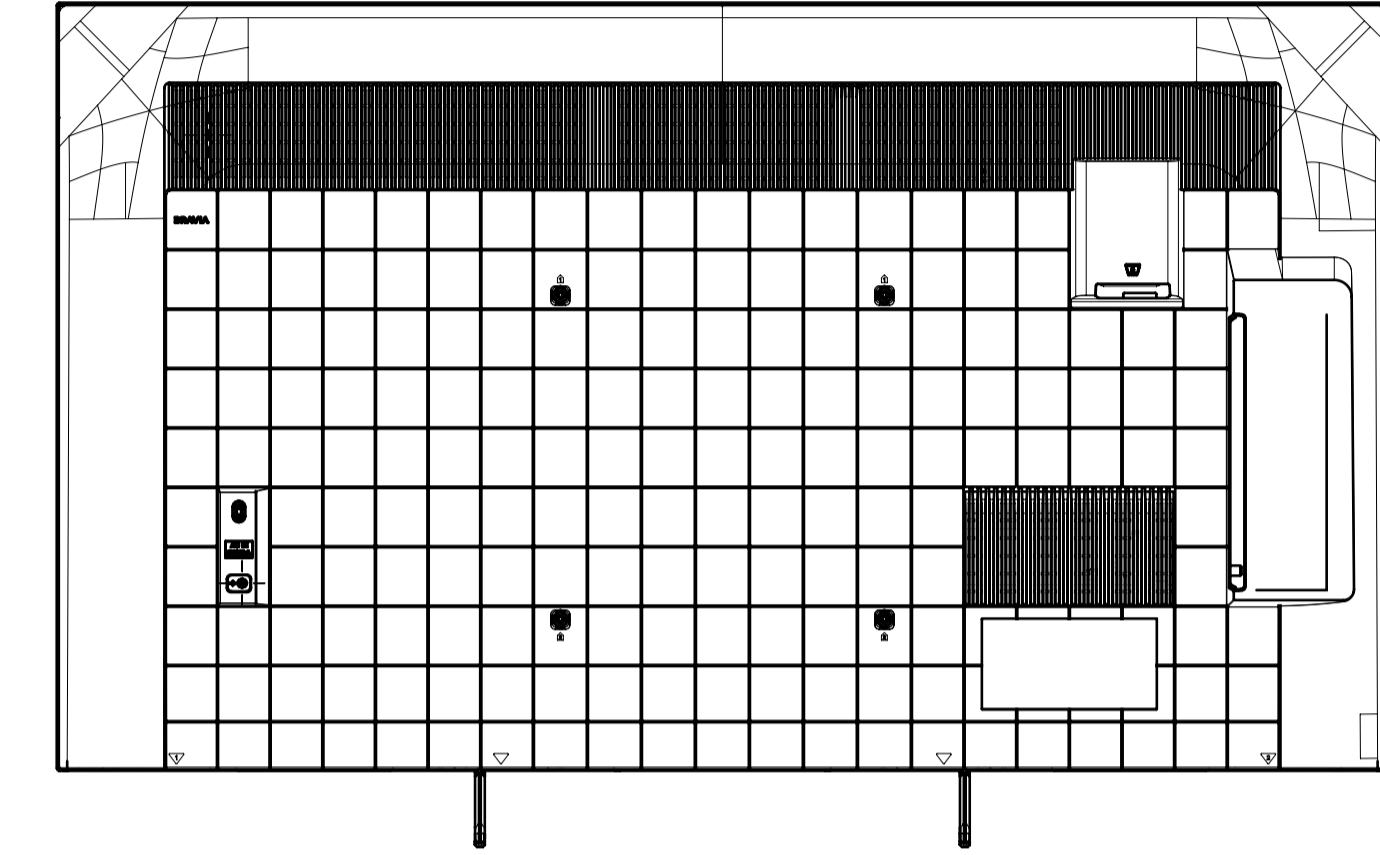
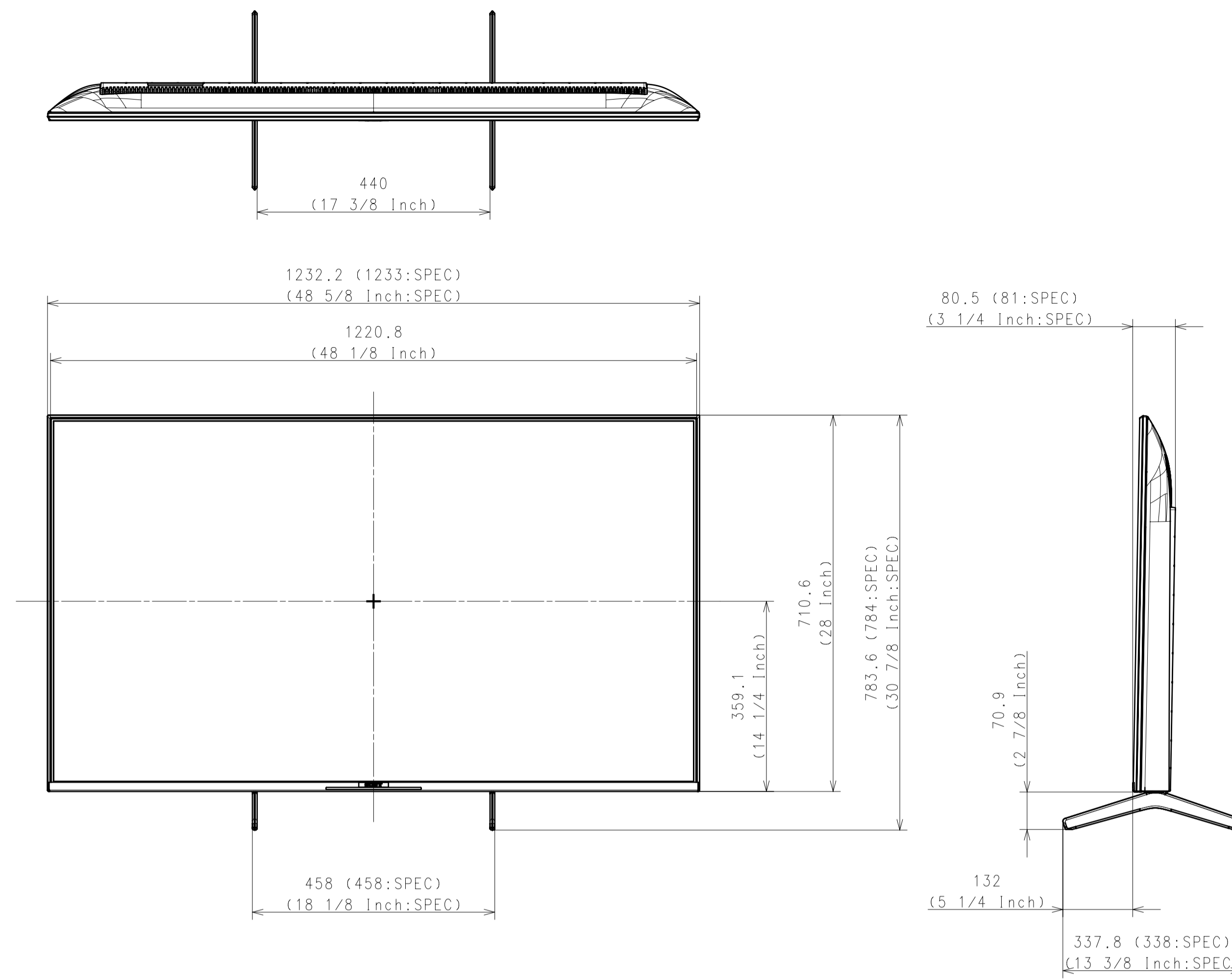


Purchase recycled resins and wire rods only from the business partners that Sony approves as Green Partners.  
再生樹脂・銅線材はグリーンパートナー認定受注先から購入してください。

DATE OF ISSUE 2020.12.30	DOCUMENT TYPE OUTLINE DRAWING	GENERAL TOLERANCE	DATE OF ISSUE 2020.12.30
REVISION	REVISION	MATERIAL COLOR	FINISH COLOR
RESPONSIBLE DEPARTMENT Panel & Mechanical Design	ORIGINAL MODEL 55 (X85J) EXTERIOR VIEW	DESCRIPTION 55 (X85J) EXTERIOR VIEW	
PLANNED BY M.Hilal	CHECKED BY	APPROVED BY	SCALE 1:5
DESIGNED BY M.Hilal	SIZE A1	UNIT mm	PAGE NO. 1 / 6
DRAWN BY M.Hilal	PREP. METHOD	SHEET / PAGES	1 / 6

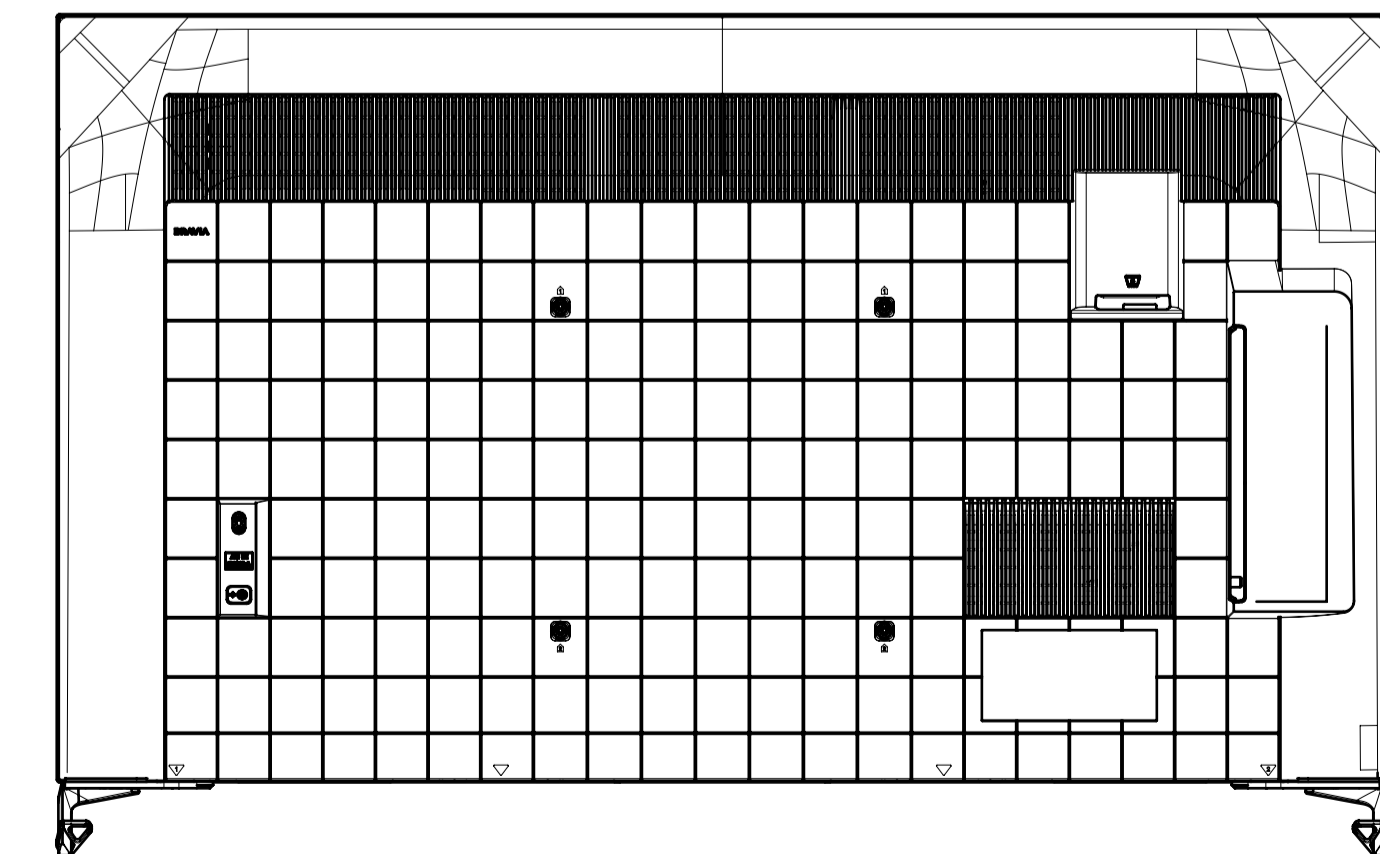
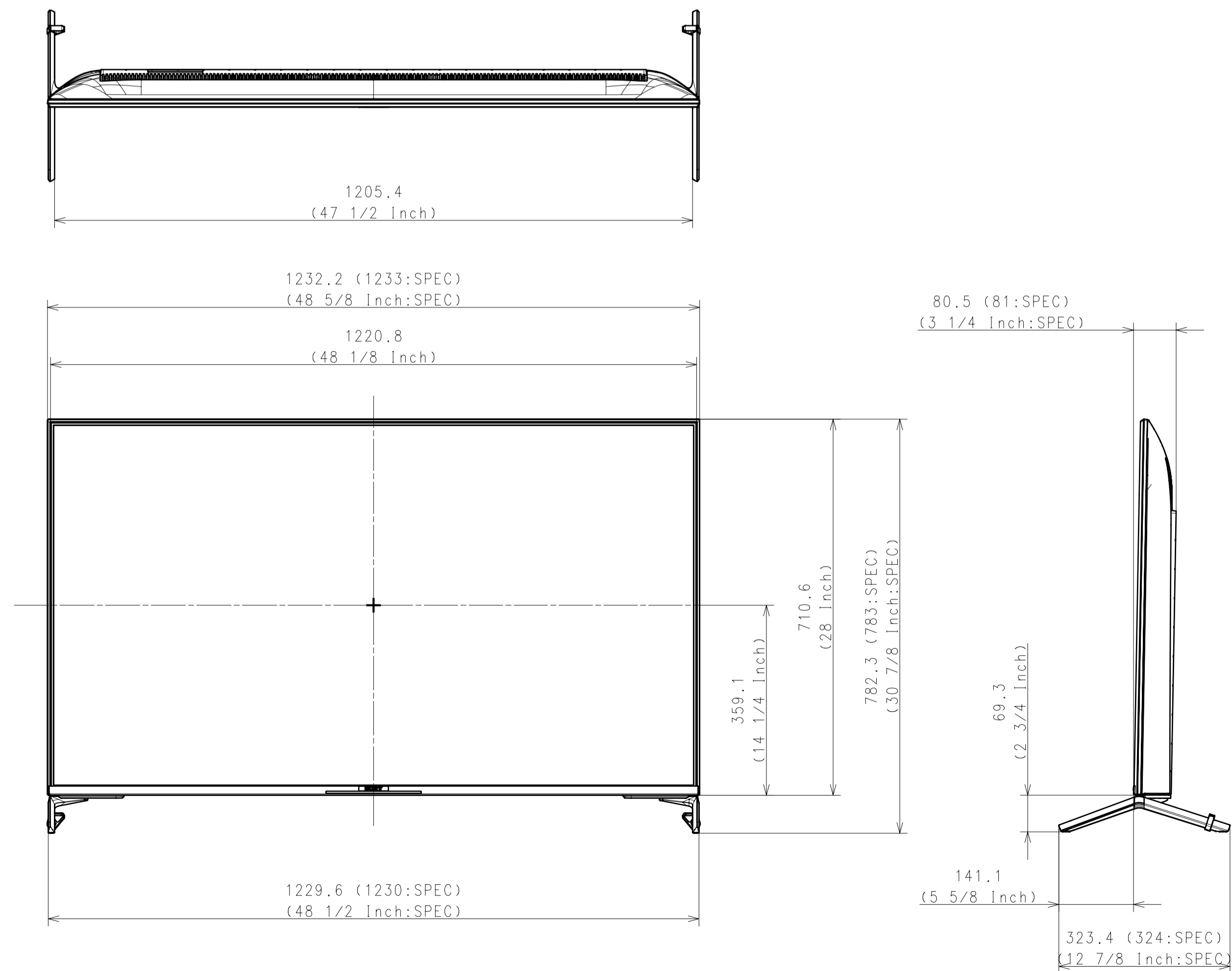
WITH STAND

MAIN STAND (NARROW POSITION)  
KD-55X85J (Europe) Only



WITH STAND

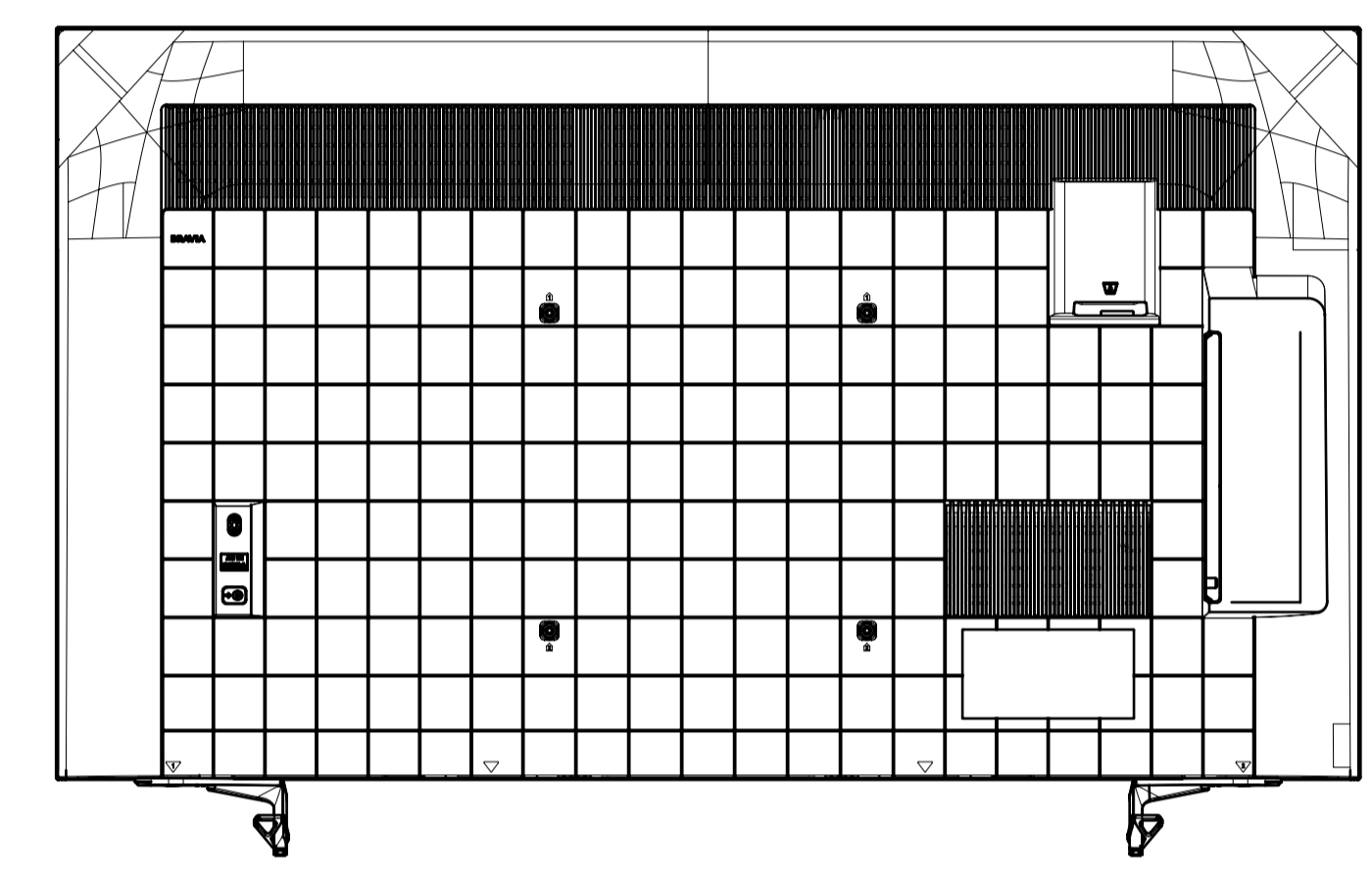
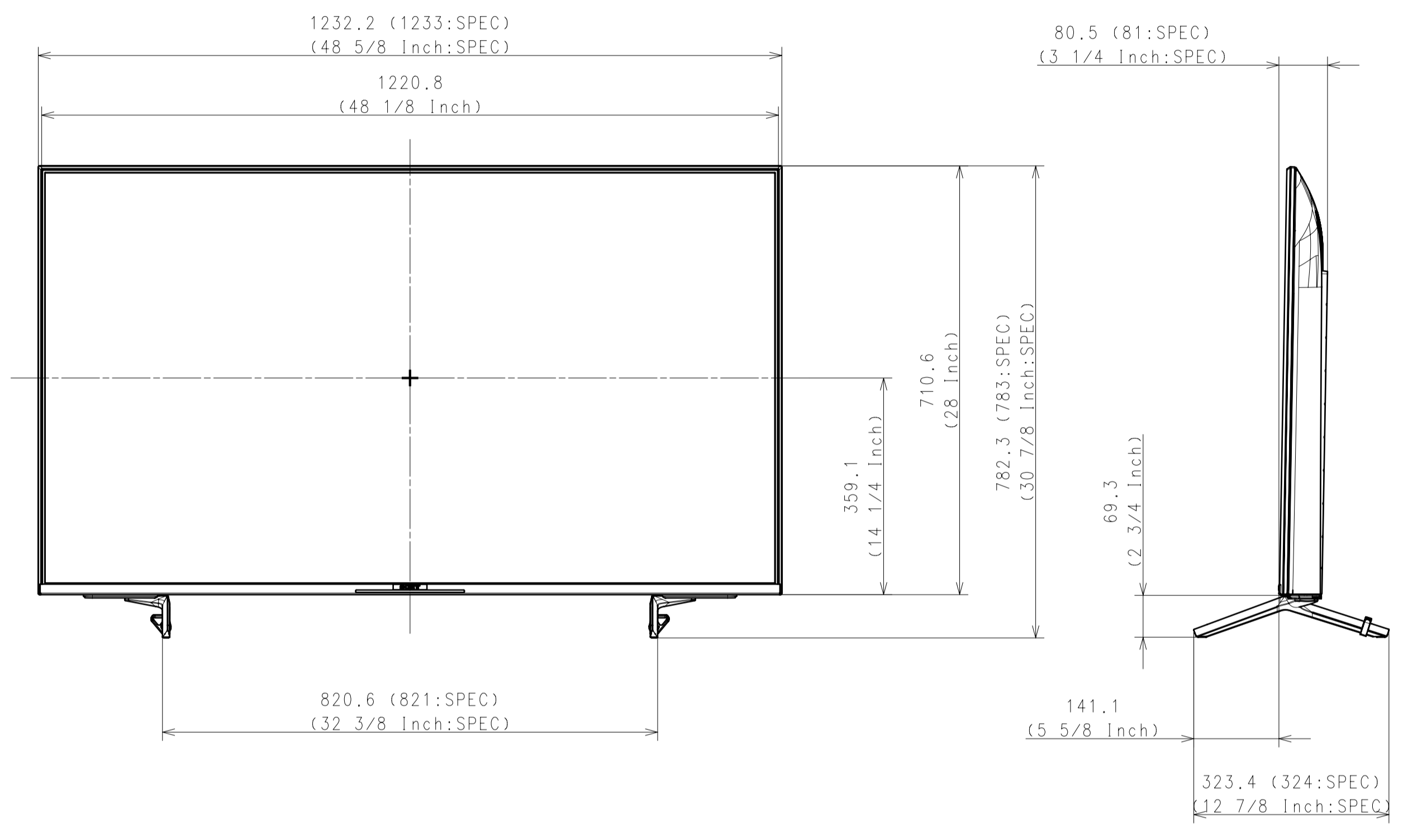
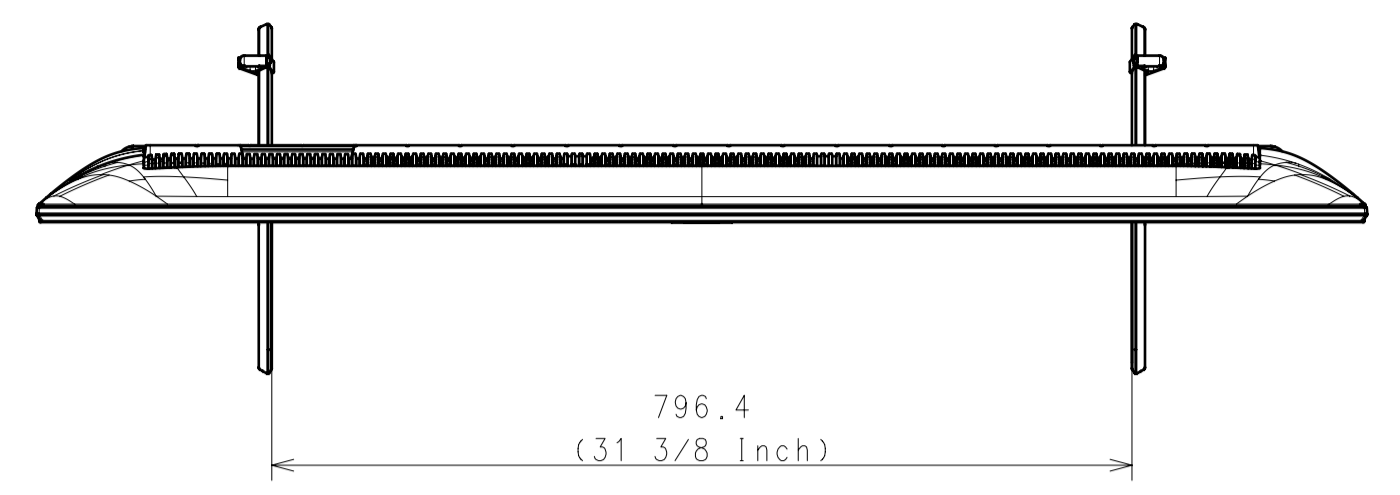
PREMIUM EDGE STAND (STANDARD POSITION)  
KD-55X89J (Europe Derivative 2) Only



DESCRIPTION 1	55 (X85J) EXTERIOR VIEW	LEGAL OWNER	Sony Corporation	SCALE	1:5
DESCRIPTION 2	55 (X85J) EXTERIOR VIEW	PART NO.		SHEET/PAGES	2 / 6

WITH STAND

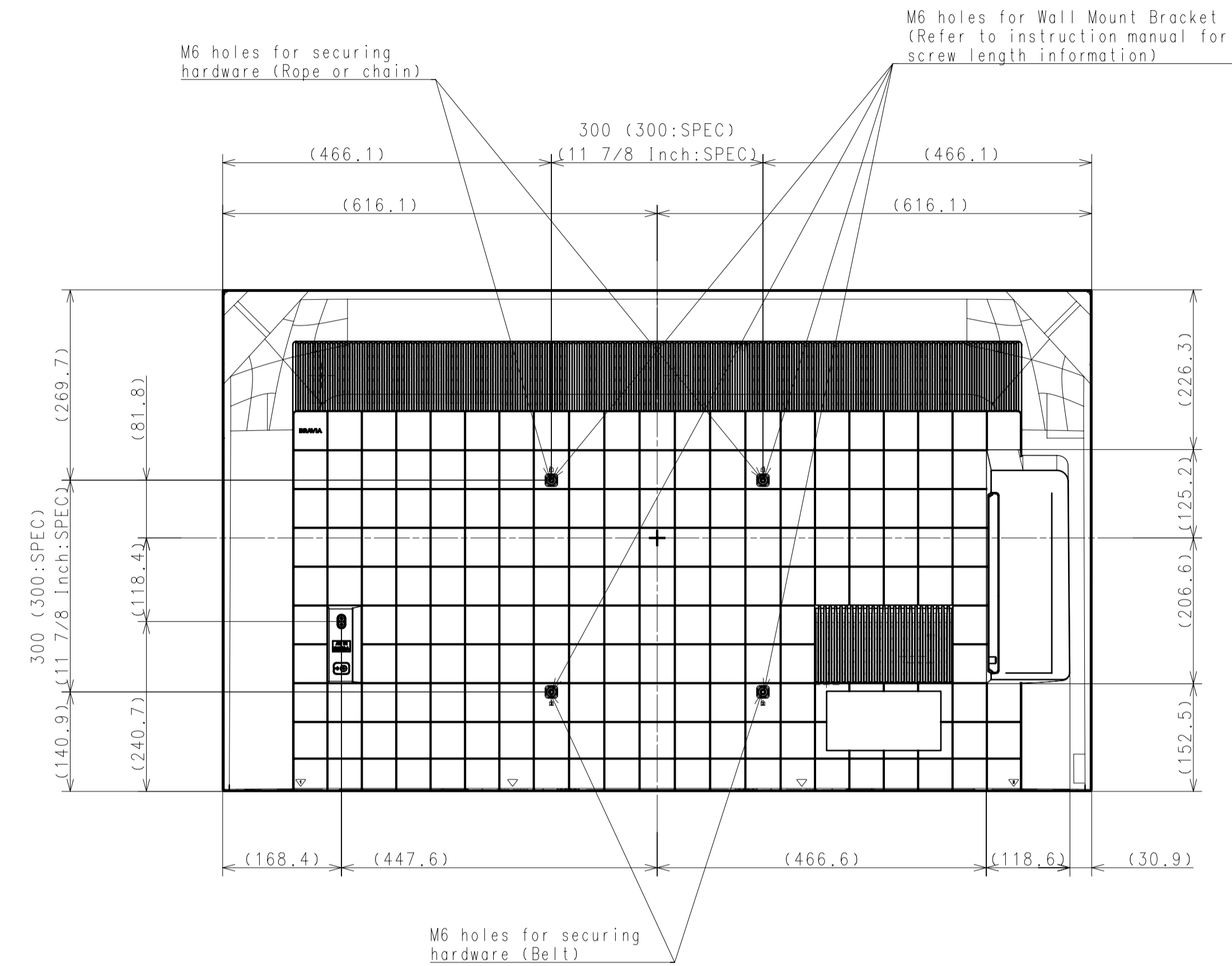
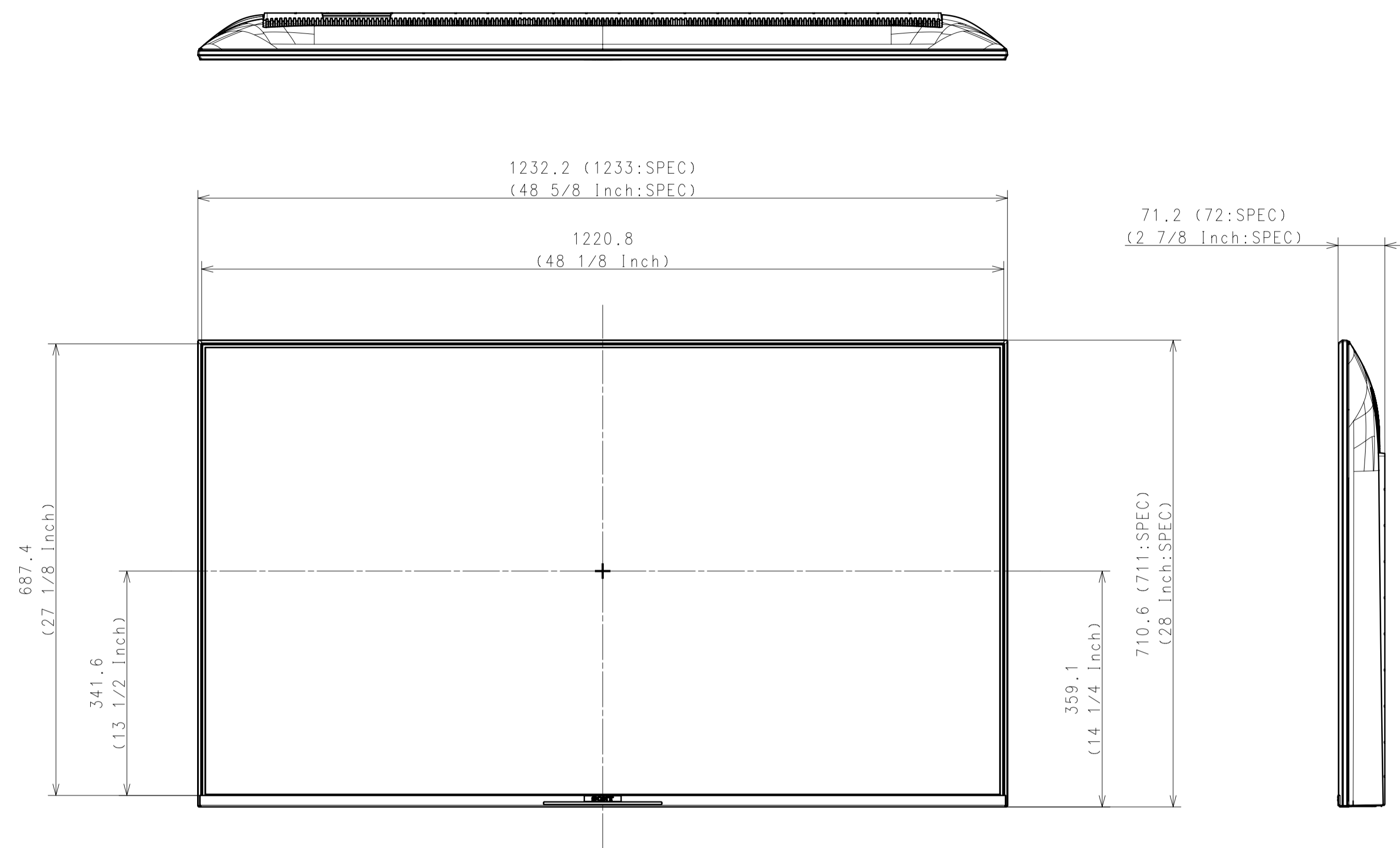
PREMIUM EDGE STAND (NARROW POSITION)  
KD-55X89J (Europe Derivative 2) Only



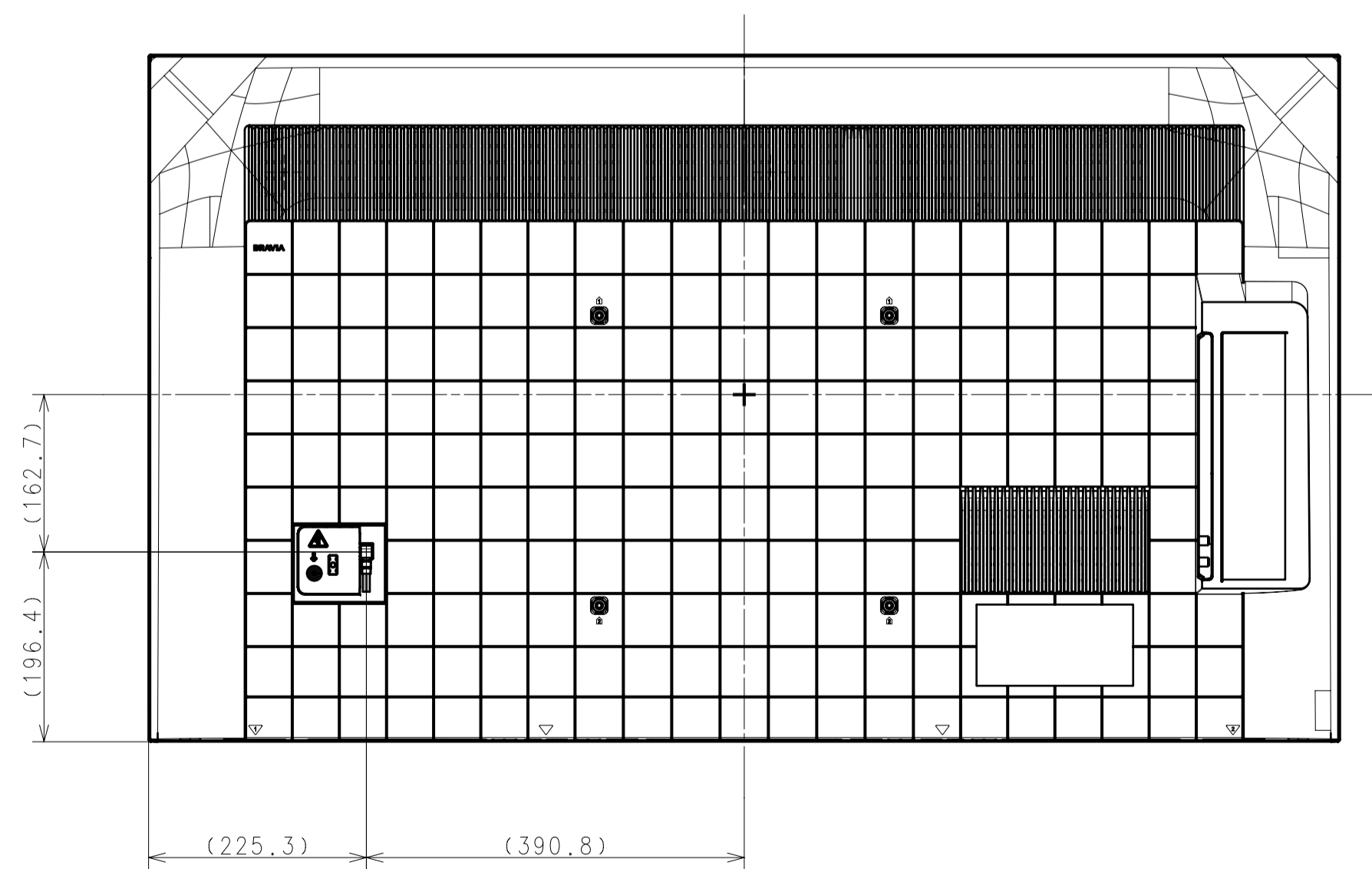
SONY STANDARD

DESCRIPTION	LEGAL OWNER	SCALE
55 (X85J) EXTERIOR VIEW	Sony Corporation	1:5
DESCRIPTION	PART NO.	SHEET/PAGES
55 (X85J) EXTERIOR VIEW		3/ 6

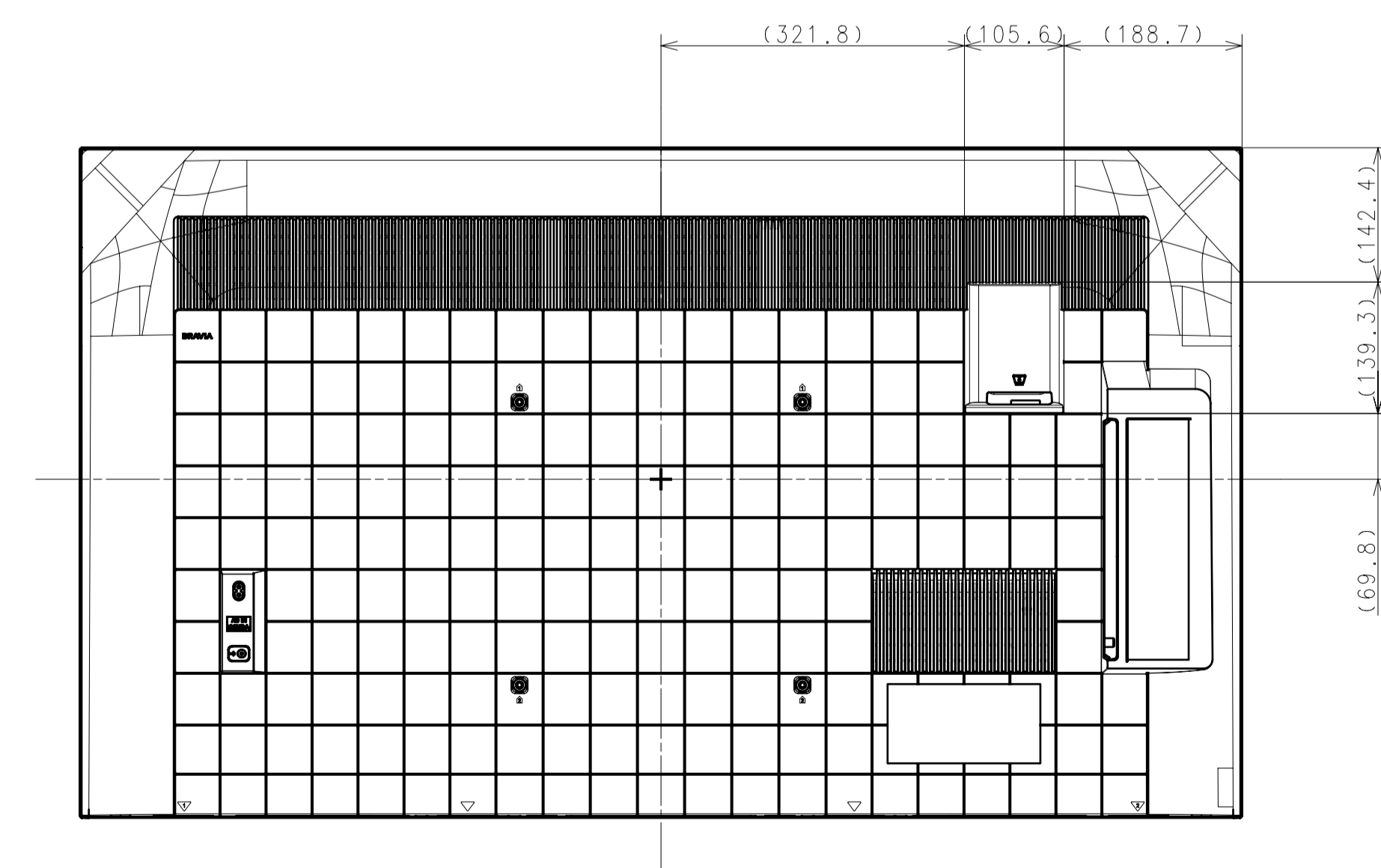
WITHOUT STAND



For GENERAL AREA, NORTH AMERICA, CHINA



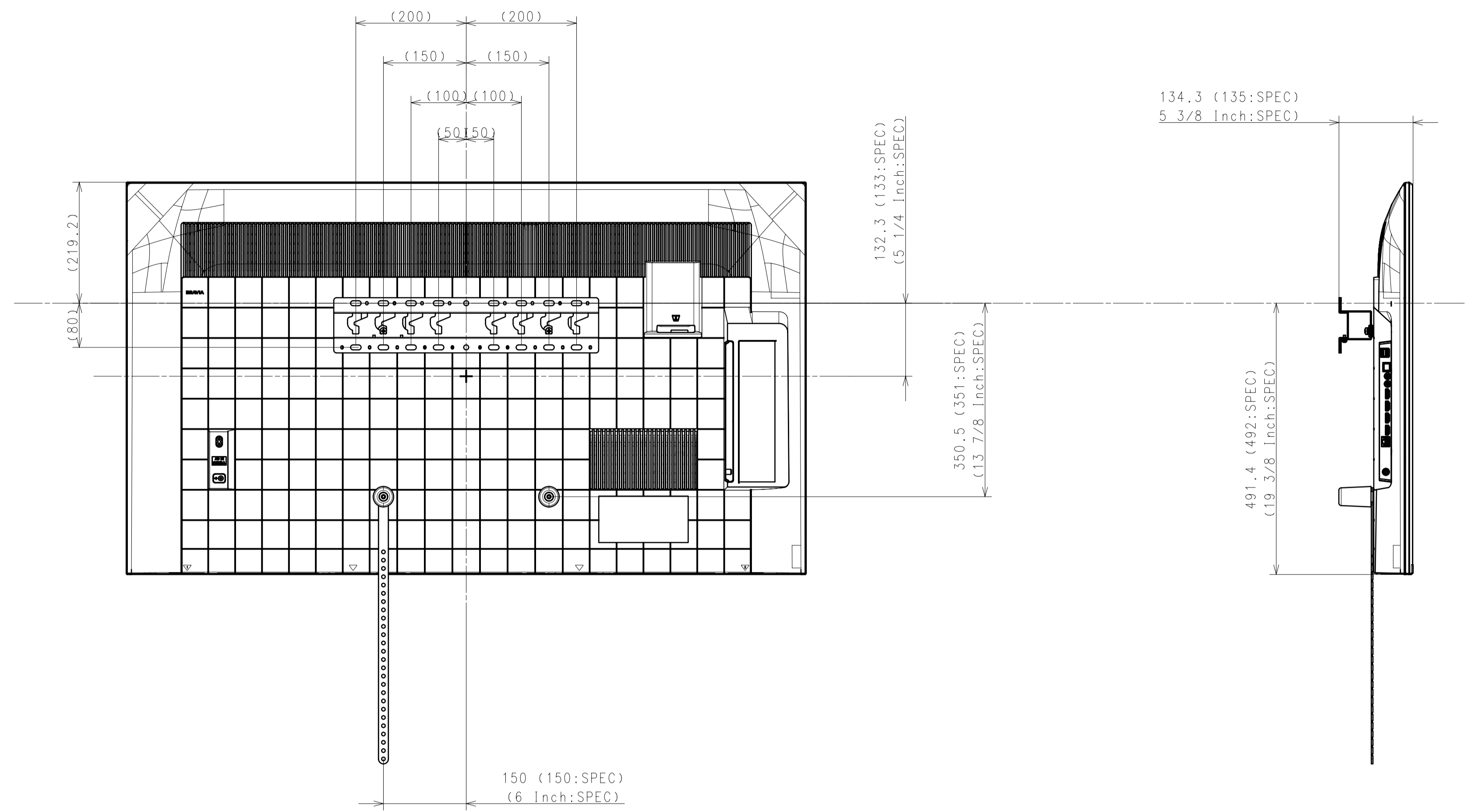
For JAPAN, LATIN AMERICA



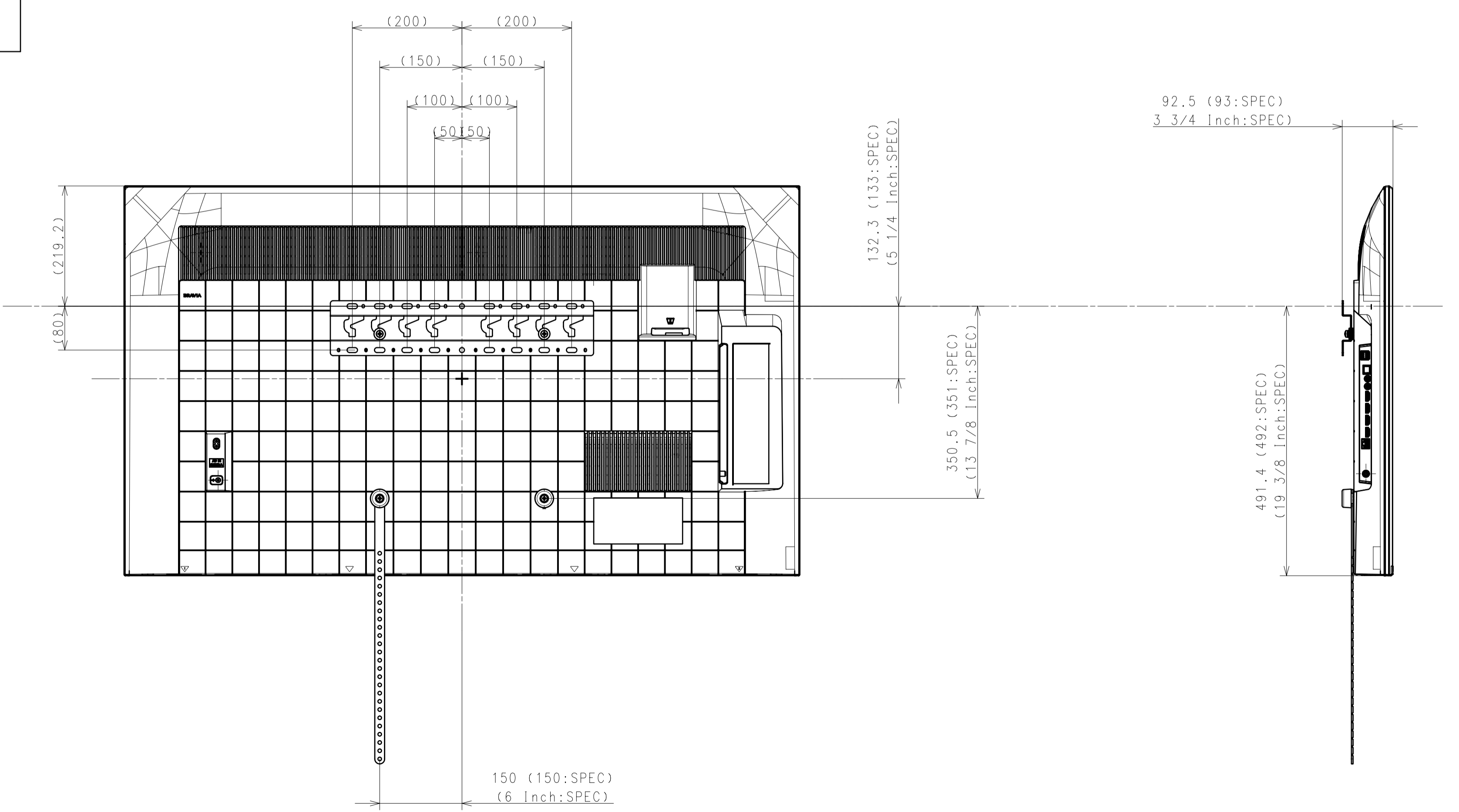
For EUROPE

DESCRIPTION 55 (X85J) EXTERIOR VIEW	LEGAL OWNER Sony Corporation	SCALE 1:5
DESCRIPTION 55 (X85J) EXTERIOR VIEW	PART NO.	SHEET/PAGES 4 / 6

SU-WL450 (STANDARD)



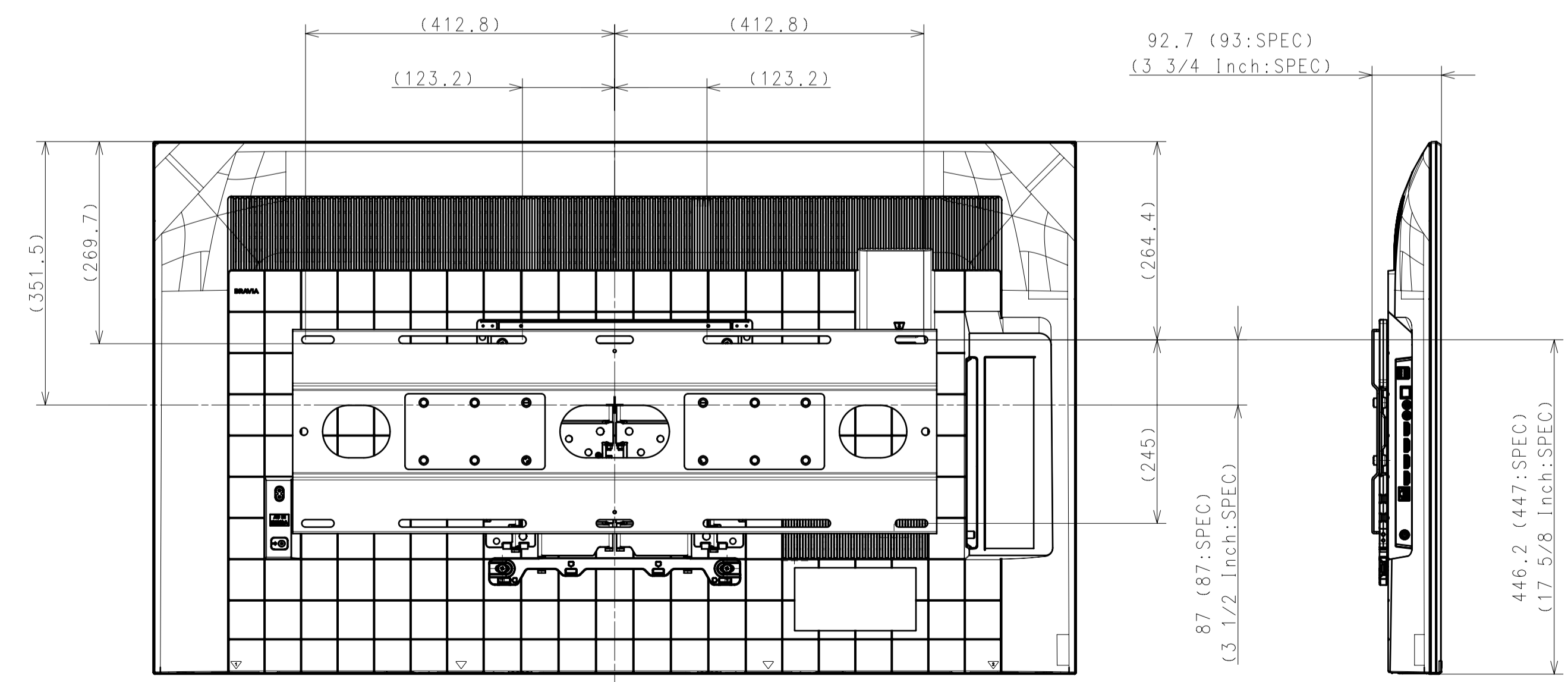
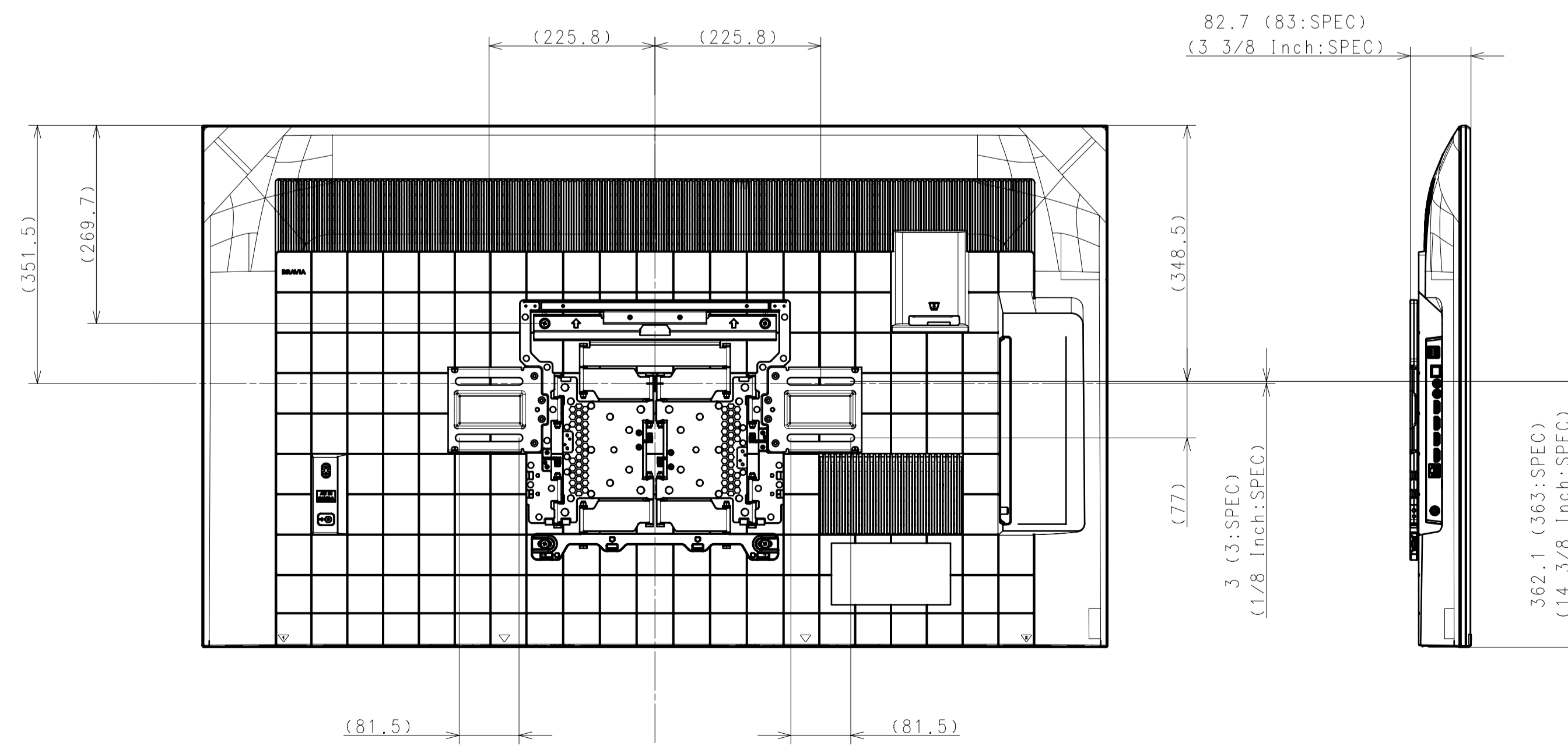
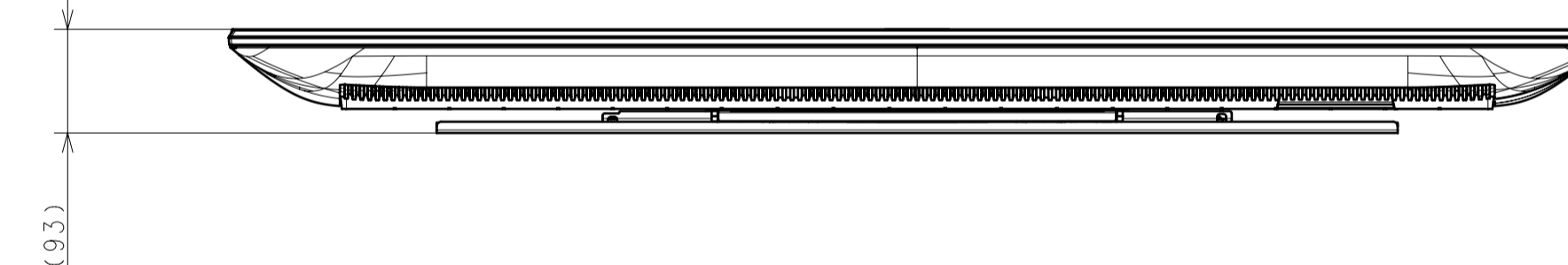
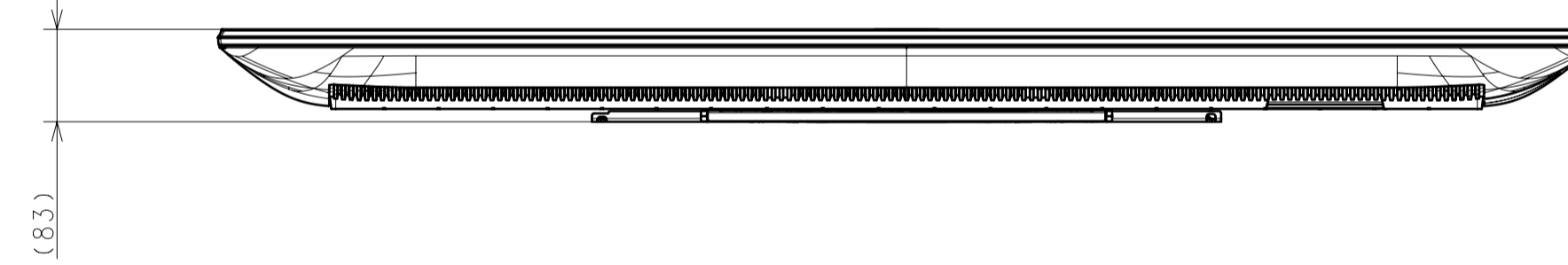
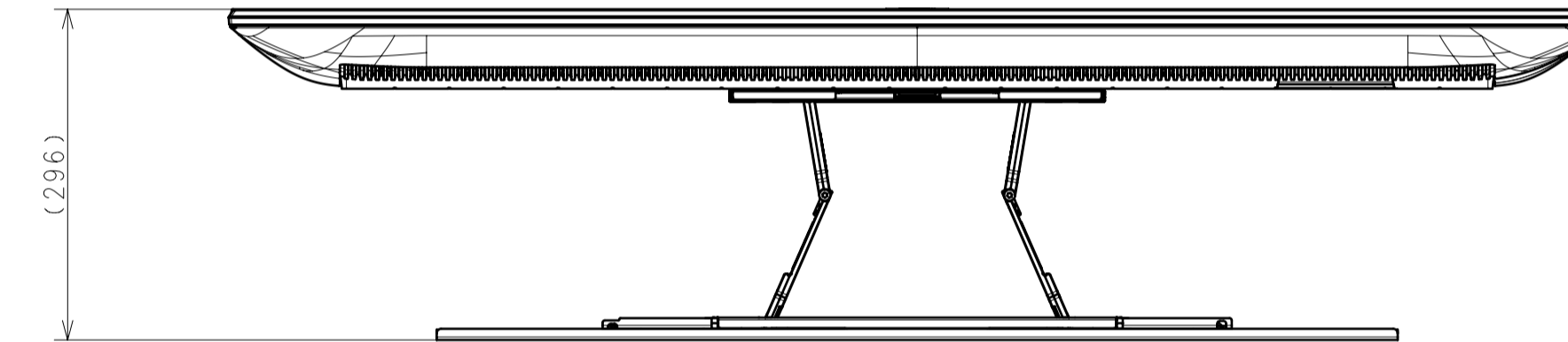
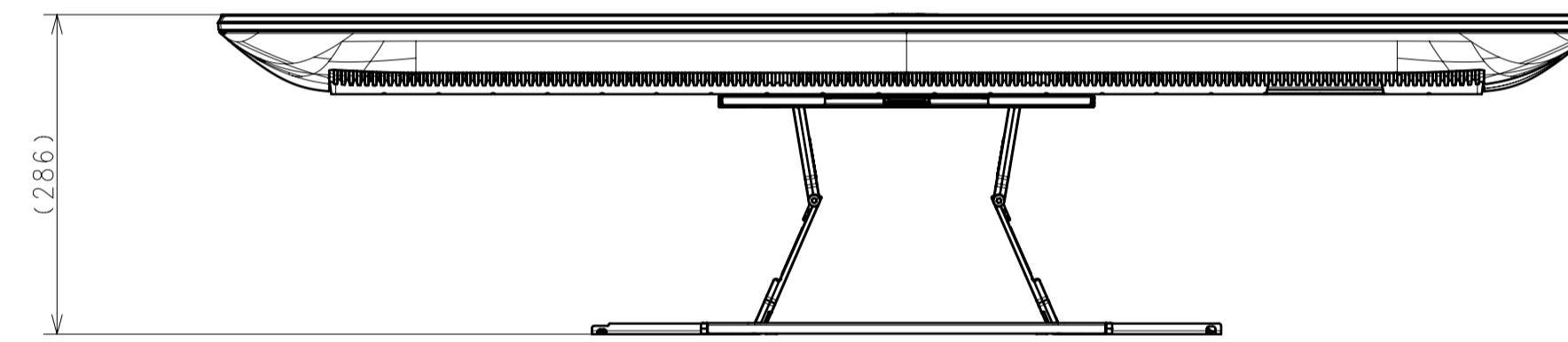
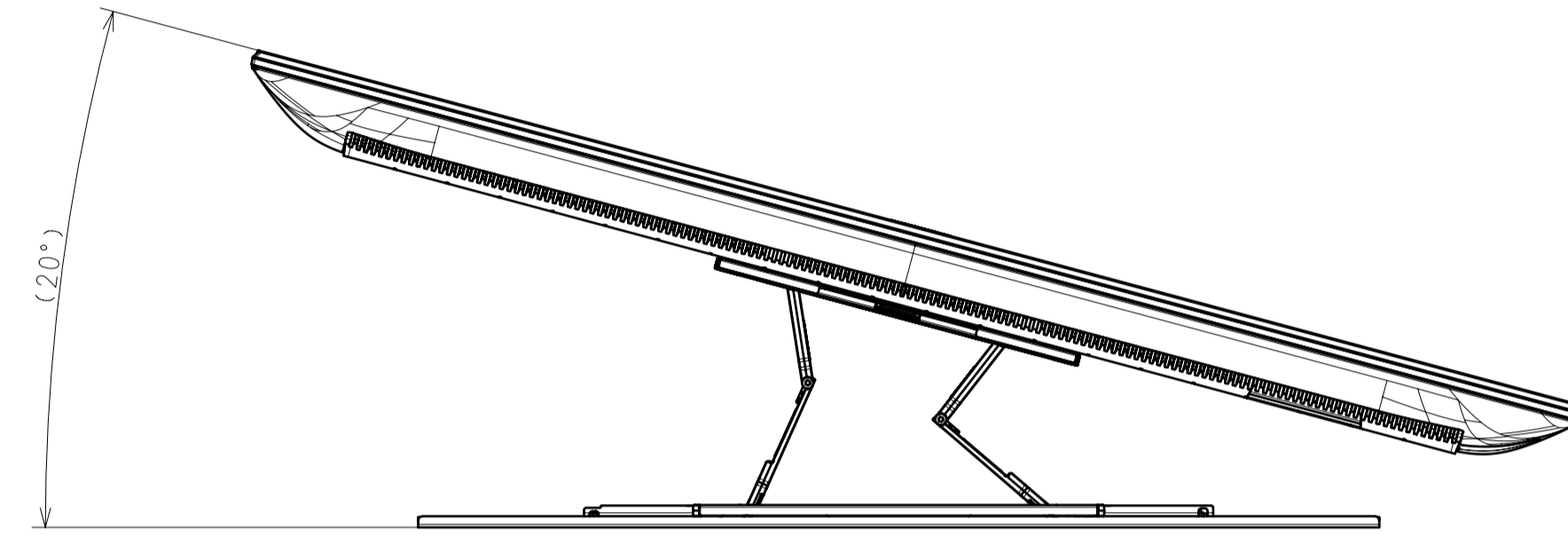
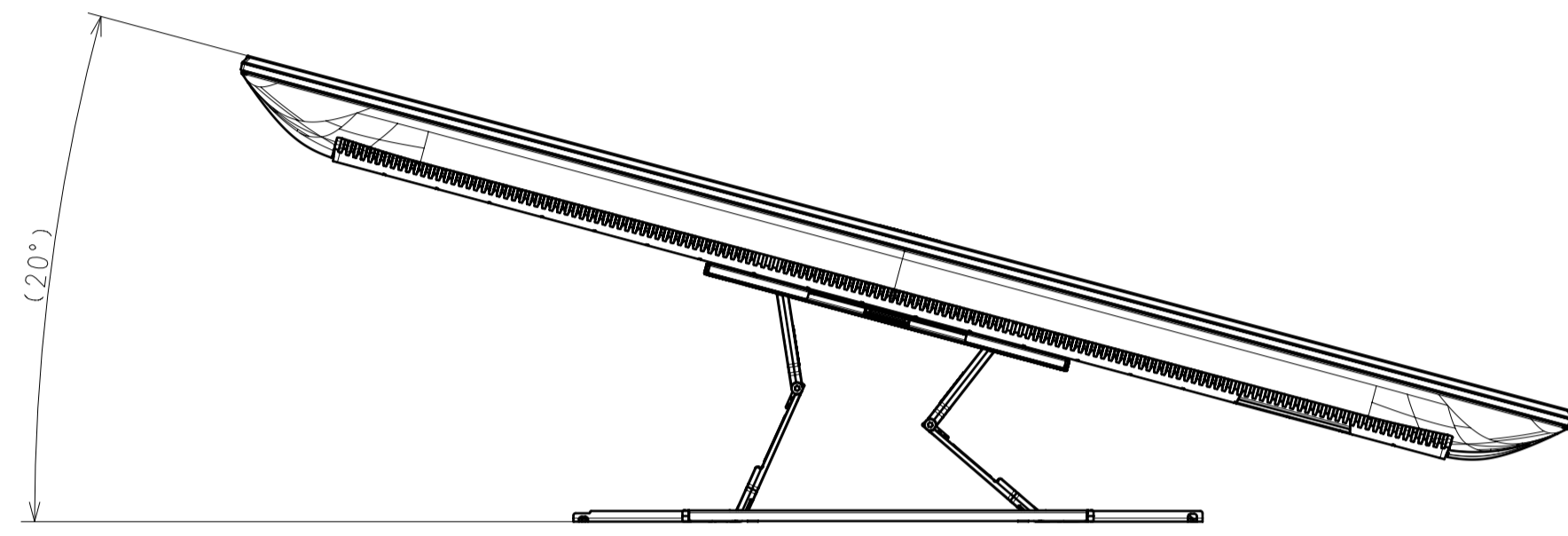
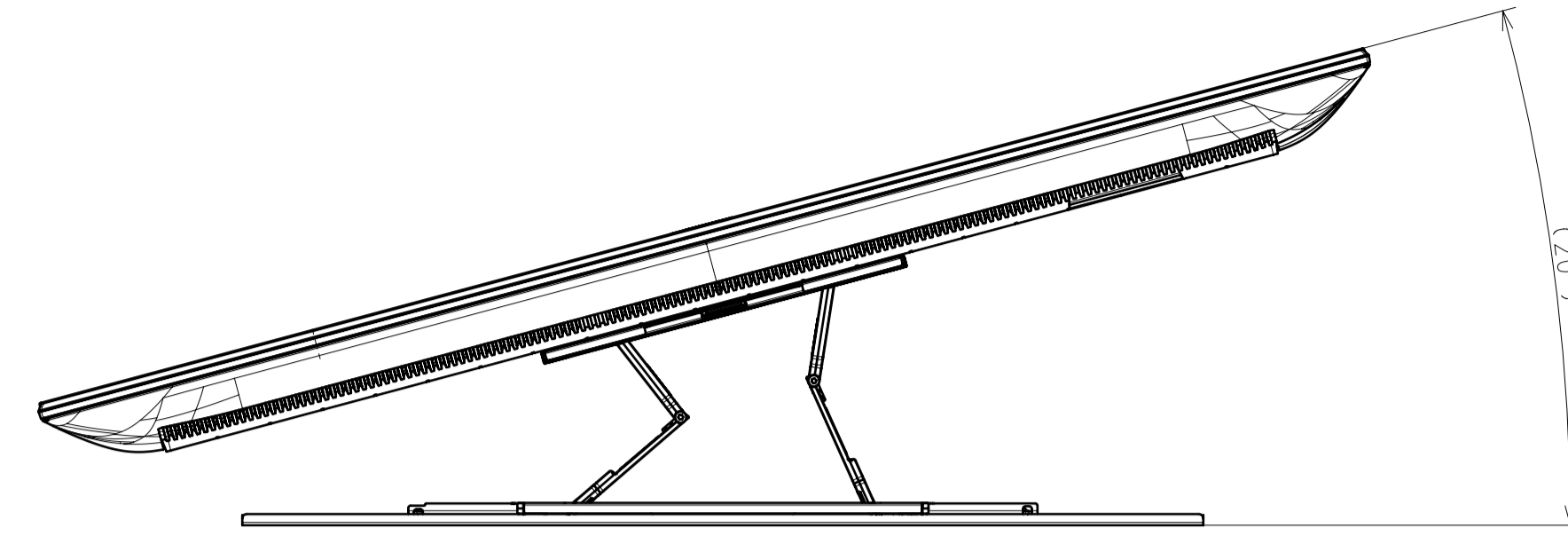
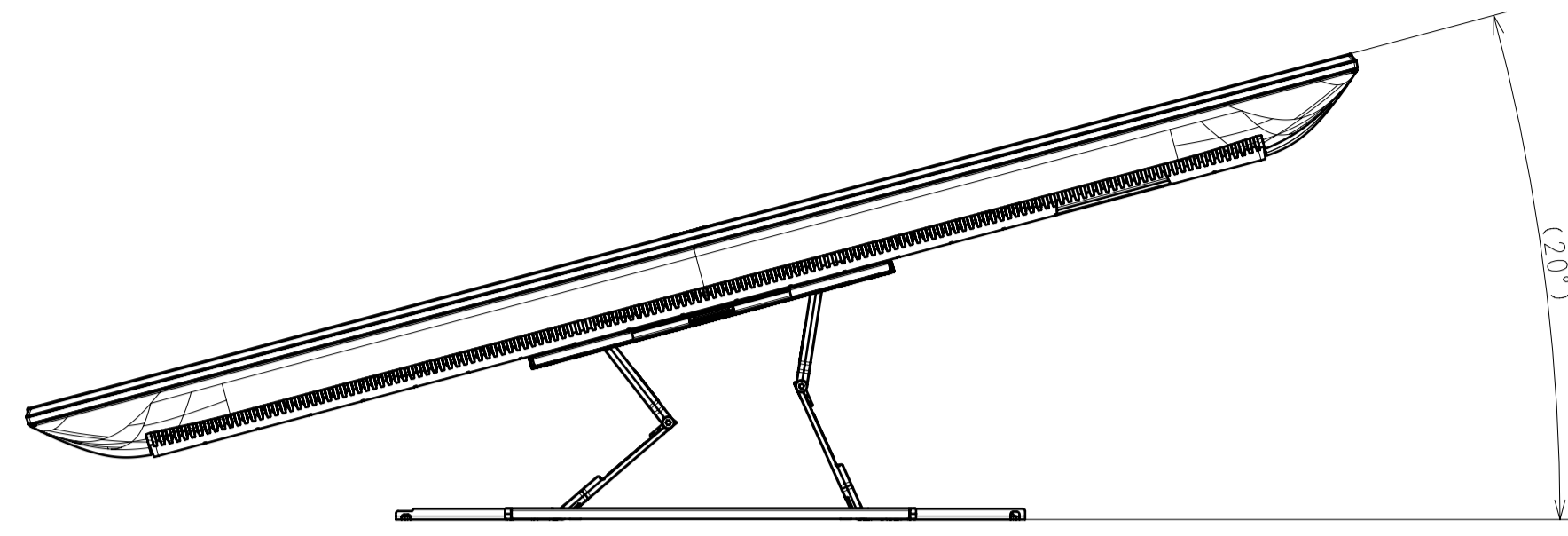
SU-WL450 (SLIM TYPE)



DESCRIPTION	LEGAL OWNER	SCALE
55 (X85J) EXTERIOR VIEW	Sony Corporation	1:5
DESCRIPTION	PART NO.	SHEET/PAGES
55 (X85J) EXTERIOR VIEW		5 / 6

SU-WL850

SU-WL855 (WITH LATERAL SHAFT BRACKET)



DESCRIPTION 1	55 (X85J) EXTERIOR VIEW	LEGAL OWNER	Sony Corporation	SCALE	1:5
DESCRIPTION 2	55 (X85J) EXTERIOR VIEW	PART NO.		SHEET/PAGES	6 / 6