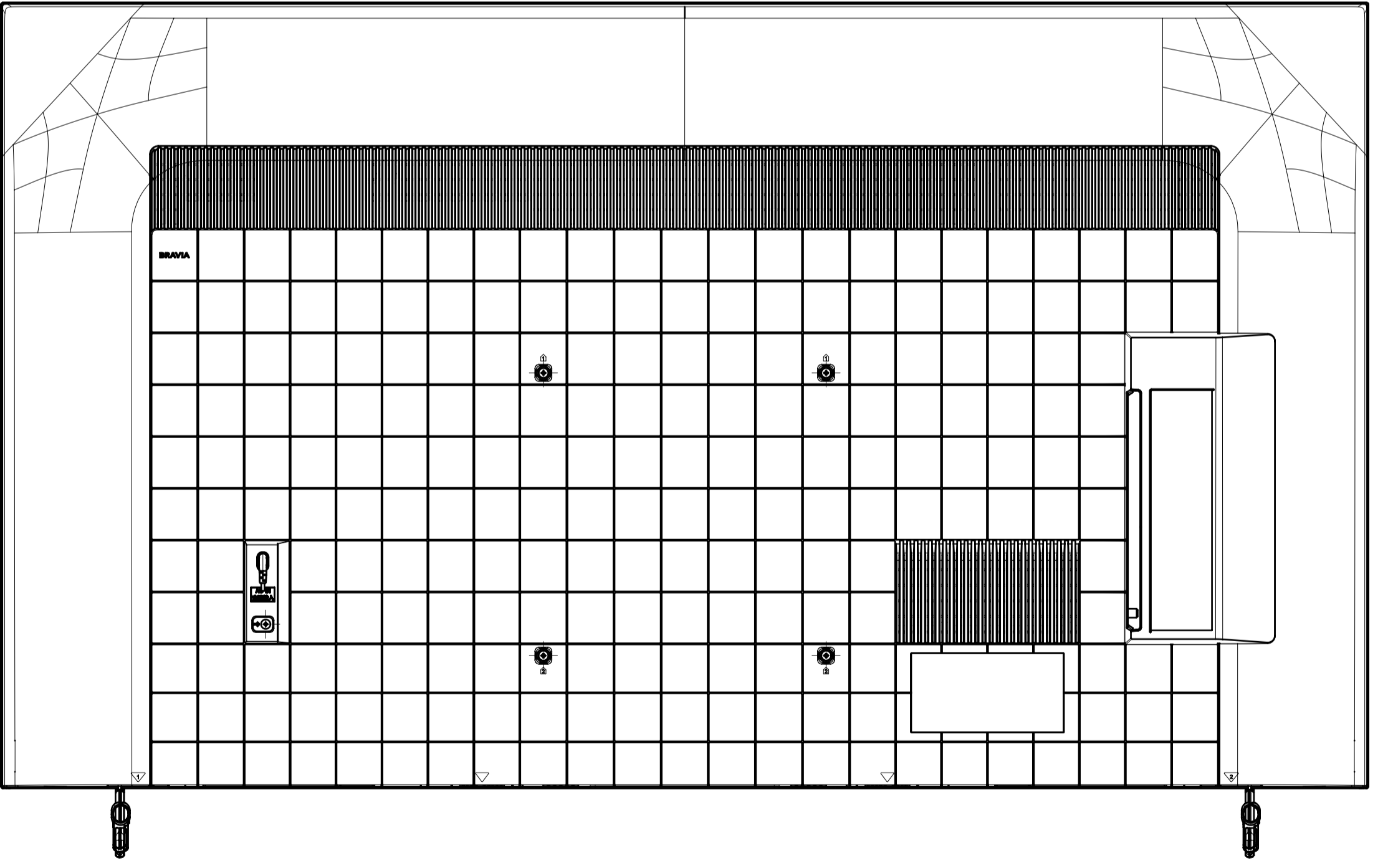
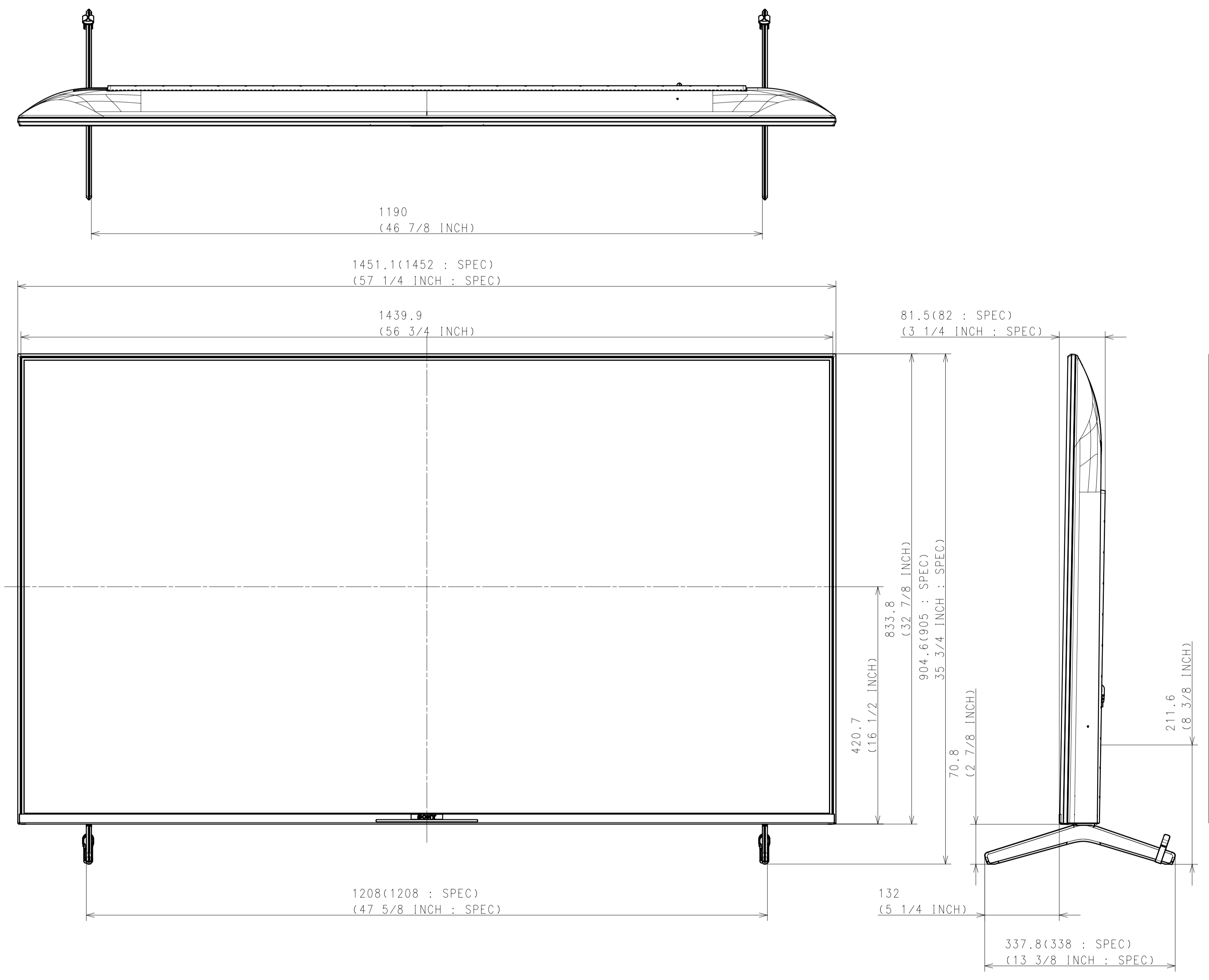


Area		JAPAN	NORTH AMERICA	LATIN AMERICA	EUROPE	EUROPE DERIVATIVE 2	GENERAL AREA	CHINA
Model Name		KJ-65X85J	KD-65X85J	KD-65X85J	KD-65X85J	KD-65X89J	KD-65X86J	KD-65X85J
SV No.		SV-39377	SV-39187	SV-39201	SV-39355	SV-39354	SV-39241	SV-39310
DIMENSION	TV only (W x H x D)	145.2 x 83.4 x 7.2 cm	1452 x 834 x 72 mm / 57 1/4 x 32 7/8 x 2 7/8 inch	1452 x 834 x 72 mm	Approx. 145.2 x 83.4 x 7.2 cm	Approx. 145.2 x 83.4 x 7.2 cm	Approx. 1452 x 834 x 72 mm	Approx. 1452 x 834 x 72 mm
	TV with Stand (Standard position) (W x H x D)	145.2 x 90.5 x 33.8 cm	1452 x 905 x 338 mm / 57 1/4 x 35 3/4 x 13 3/8 inch	1452 x 905 x 338 mm	Approx. 145.2 x 90.5 x 33.8 cm	Approx. 145.2 x 90.3 x 35.4 cm	Approx. 1452 x 905 x 338 mm	Approx. 1452 x 905 x 338 mm
	TV with Stand (Narrow position) (W x H x D)	-	-	-	Approx. 145.2 x 90.5 x 33.8 cm	Approx. 145.2 x 90.3 x 35.4 cm	-	-
	TV with Stand (Soundbar position) (W x H x D)	-	-	-	-	-	-	-
	TV with Floor Stand (W x H x D)	-	-	-	-	-	-	-
	Stand Width (Standard position)	120.8 cm	1208 mm / 47 5/8 inch	1208 mm	Approx. 120.8 cm	Approx. 145.0 cm	Approx. 1208 mm	Approx. 1208 mm
	Stand Width (Narrow position)	-	-	-	Approx. 46.0 cm	Approx. 89.9 cm	-	-
	Stand Width (Soundbar position)	-	-	-	-	-	-	-
	Floor Stand Width	-	-	-	-	-	-	-
VESA Hole Pitch	30.0 x 30.0 cm	300 x 300 mm / 11 7/8 x 11 7/8 inch	300 x 300 mm	30.0 x 30.0 cm	30.0 x 30.0 cm	30.0 x 30.0 cm	300 x 300 mm	300 x 300 mm
WEIGHT	TV Only	22.1 kg	22.1 kg / 48.7 lb	22.1 kg	Approx. 22.1 kg	Approx. 22.1 kg	Approx. 22.1 kg	Approx. 22.1 kg
	TV with Stand (Standard position)	23 kg	23 kg / 50.7 lb	23 kg	Approx. 23 kg	Approx. 23.8 kg	Approx. 23 kg	Approx. 23 kg
	TV with Stand (Narrow position)	-	-	-	Approx. 23 kg	Approx. 23.8 kg	-	-
	TV with Stand (Soundbar position)	-	-	-	-	-	-	-
	TV with Floor Stand	-	-	-	-	-	-	-
	Floor Stand weight (Supply)	-	-	-	-	-	-	-
W-M't Br. Weight (Supply)	-	-	-	-	-	-	-	
Remarks					2way	2way, Premium Edge Stand		

WITH STAND

MAIN STAND (STANDARD POSITION)
Except KD-65X85J (EUROPE DERIVATIVE)

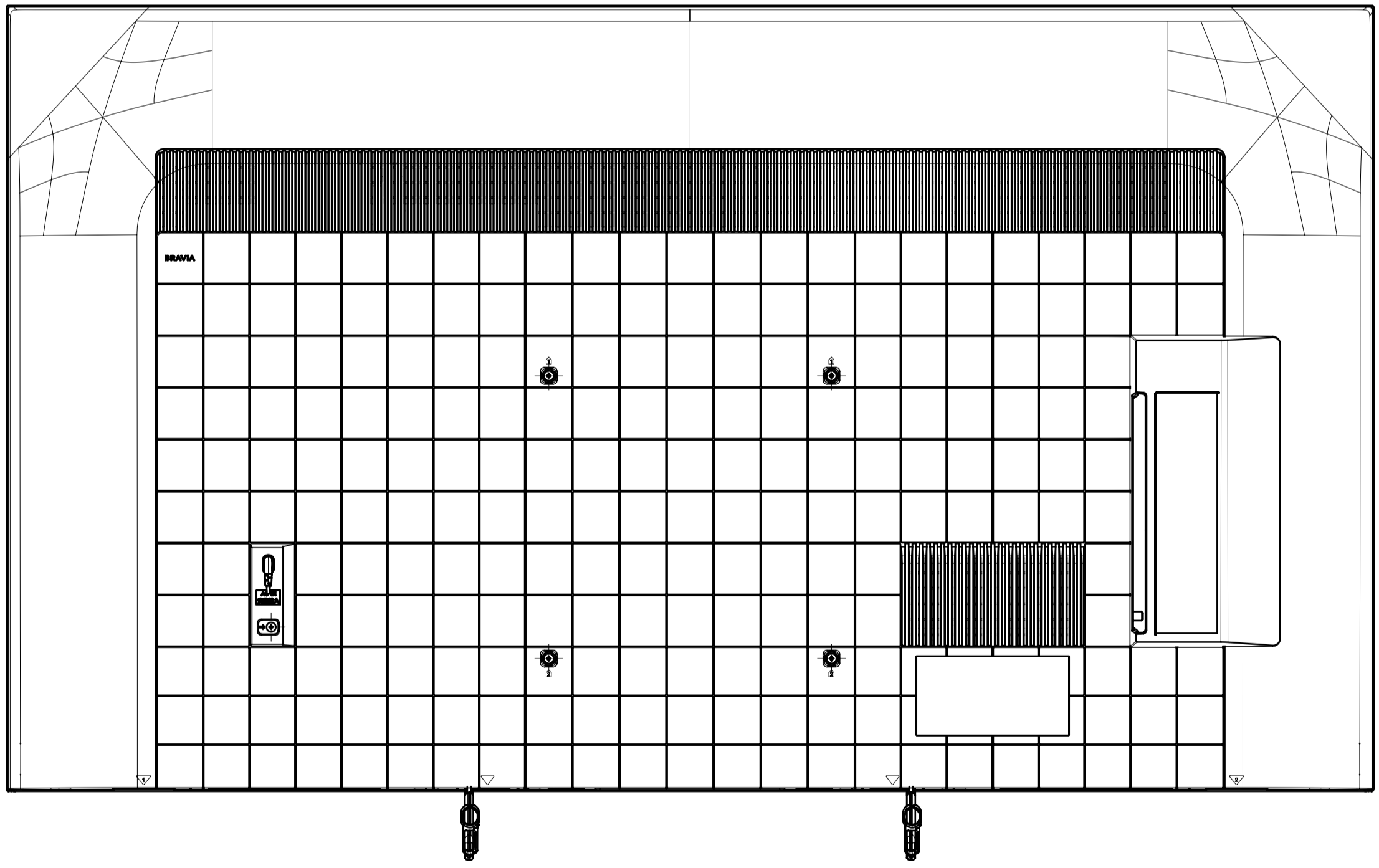
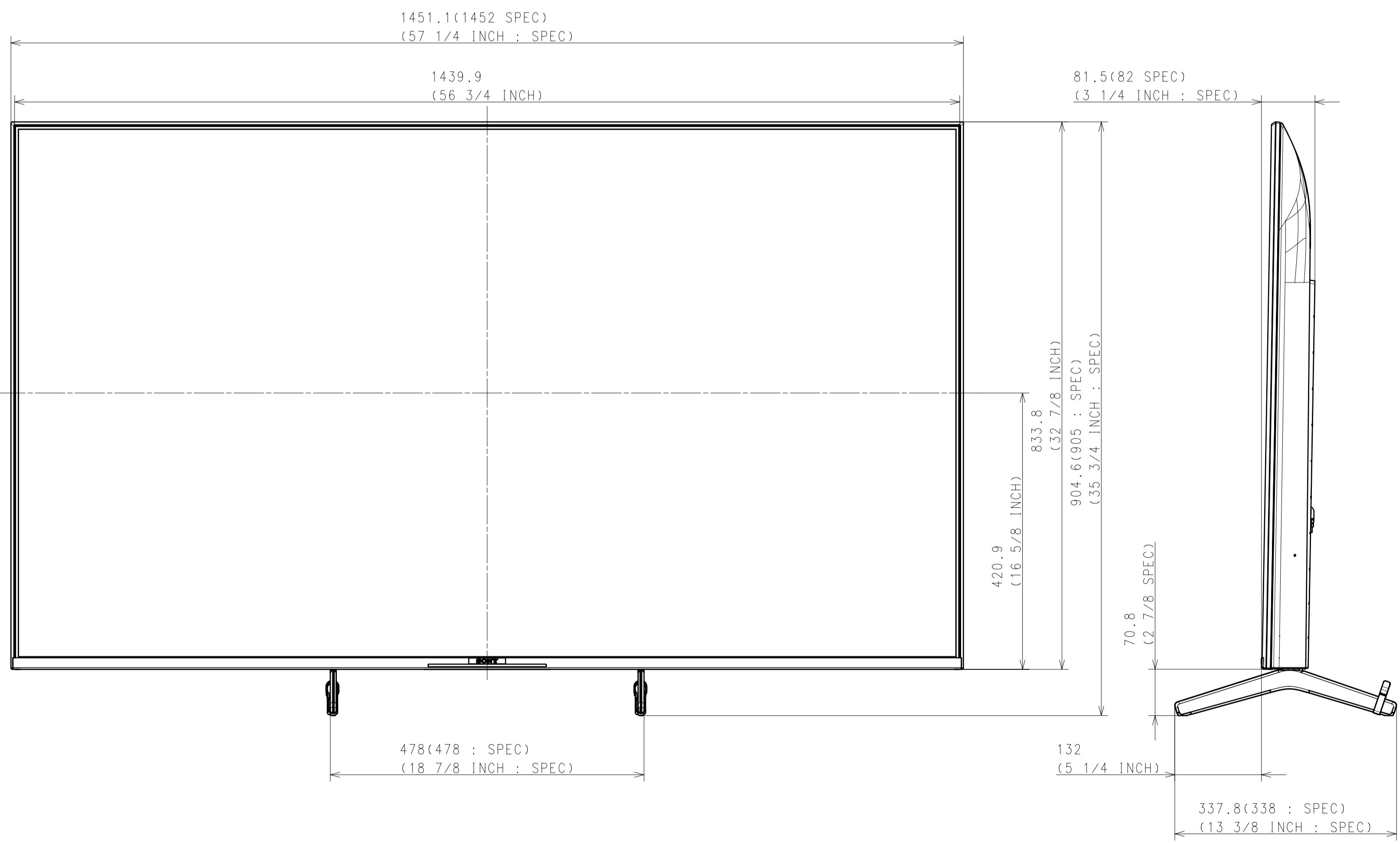
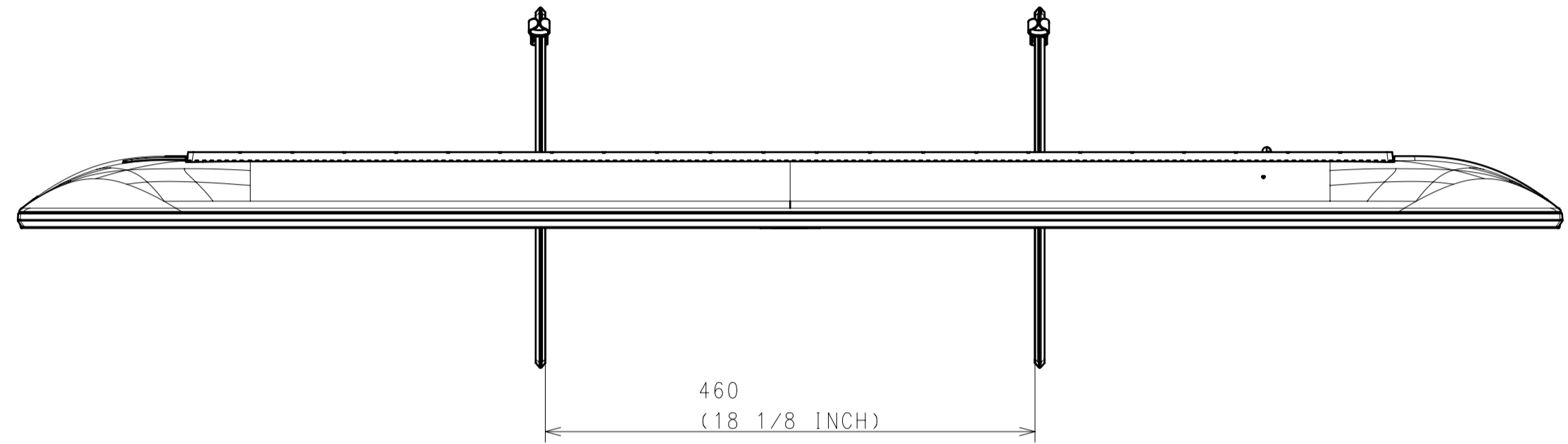


Purchase recycled resins and wire rods only from the business partners that Sony approves as Green Partners.
再生樹脂・鋼線鋼材はグリーンパートナー認定品から調達すること。

DATE OF ISSUE	2020.12.12	GENERAL TOLERANCE	
DOCUMENT TYPE	ASSEMBLY		
TOOLERANCE	DRAWING		
JIS & JIS (ISO) BASIS			
HISTORY	SUFFIX	RELEASE NO.	REVISION
Y. COUNT	REV. NO.	DATE	SIGN.
LEGAL OWNER			
Sony Corporation		ORIGINAL MODEL	SV-39241 (UN3)
RESPONSIBLE DEPARTMENT	PLANNED BY	DESIGNED BY	APPROVED BY
PANEL AND MECHANICAL DESIGN	2020.12.12	BRYAN CHIEH DSI-WECH	
SCALE	1:5	SIZE	A1
UNIT	mm	PAGE NO.	1 / 7
SHEET/PAGES		SUFFIX	

WITH STAND

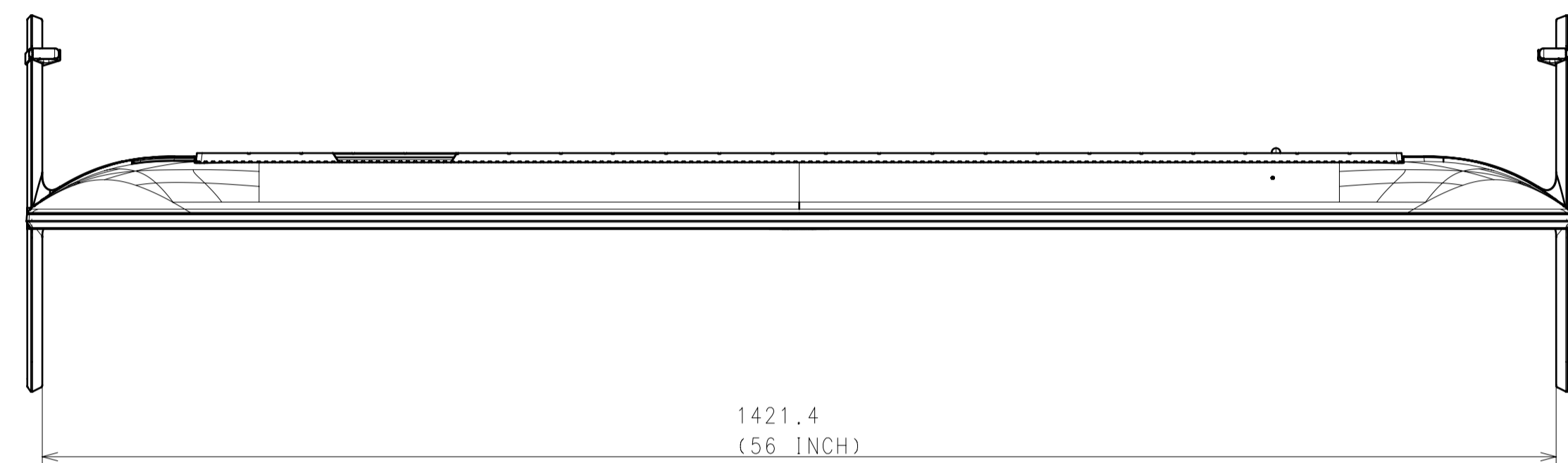
MAIN STAND (NARROW POSITION)
KD-65X89J (EUROPE) only



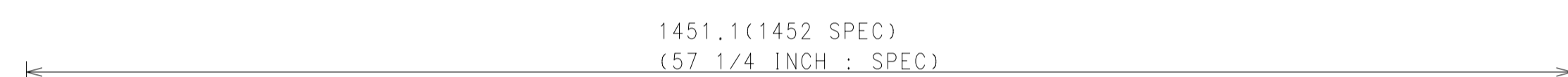
DESCRIPTION	LEGAL OWNER	SCALE
65 (X85J) EXTERIOR VIEW	Sony Corporation	1:5
DESCRIPTION	PART NO.	SHEET/PAGES
65 (X85J) EXTERIOR VIEW		5 / 7

WITH STAND

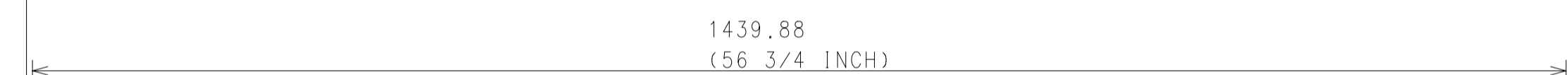
PREMIUM EDGE STAND (STANDARD POSITION)
 KD-65X89J (EUROPE DERIVATIVE) only



1421.4
(56 INCH)

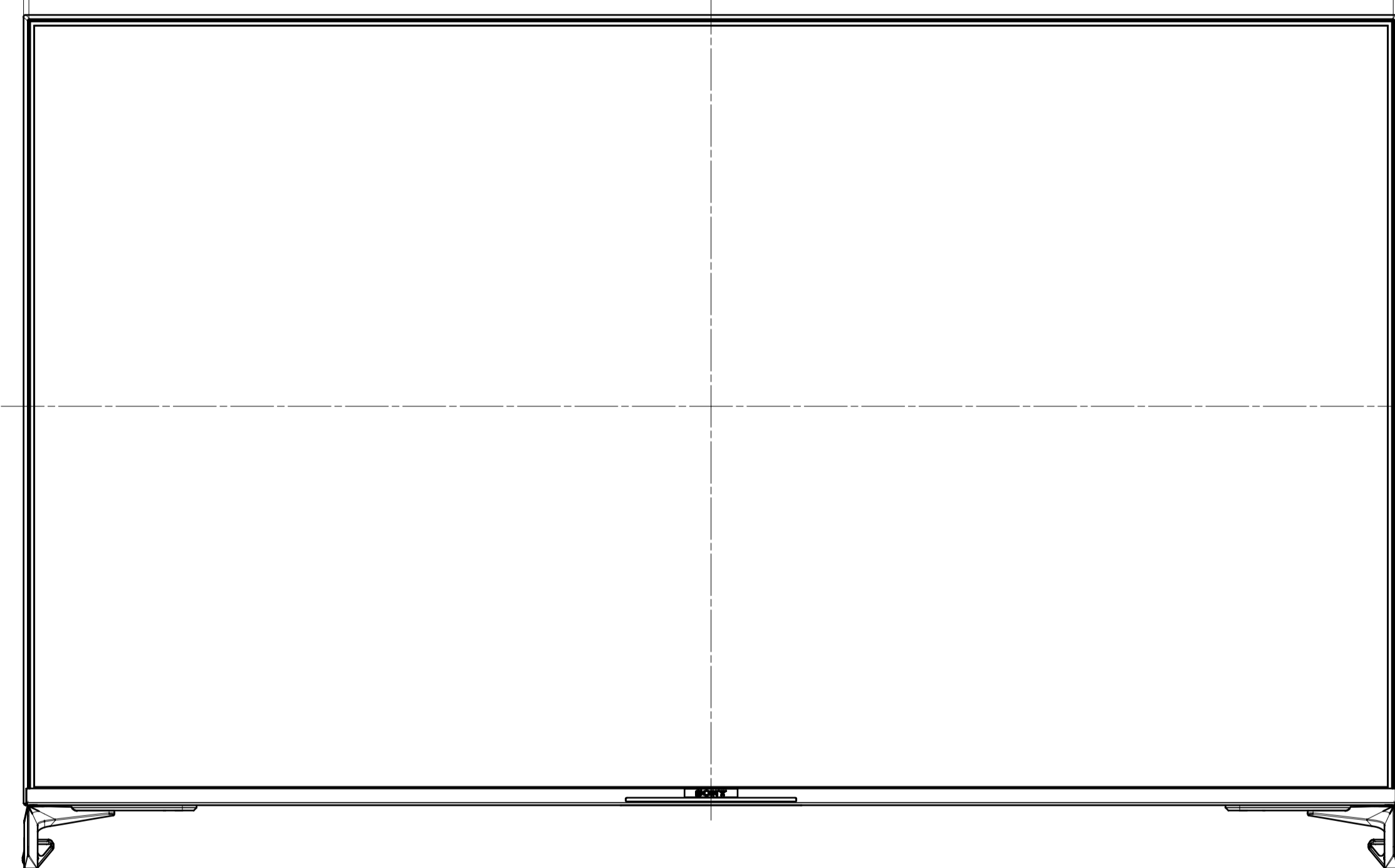


1451.1 (1452 SPEC)
(57 1/4 INCH : SPEC)



1439.88
(56 3/4 INCH)

81.5 (82 SPEC)
(3 1/4 INCH : SPEC)



420.9
(16 5/8 INCH)

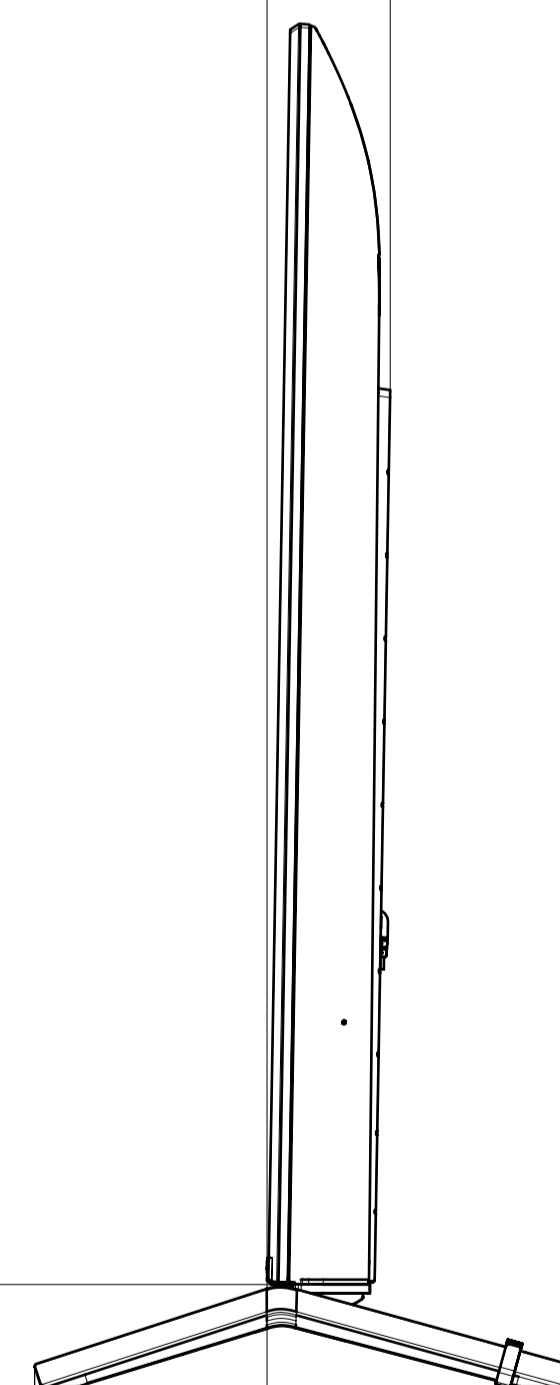
833.8
(32 7/8 INCH)

902.3 (903 SPEC)
(35 5/8 INCH : SPEC)

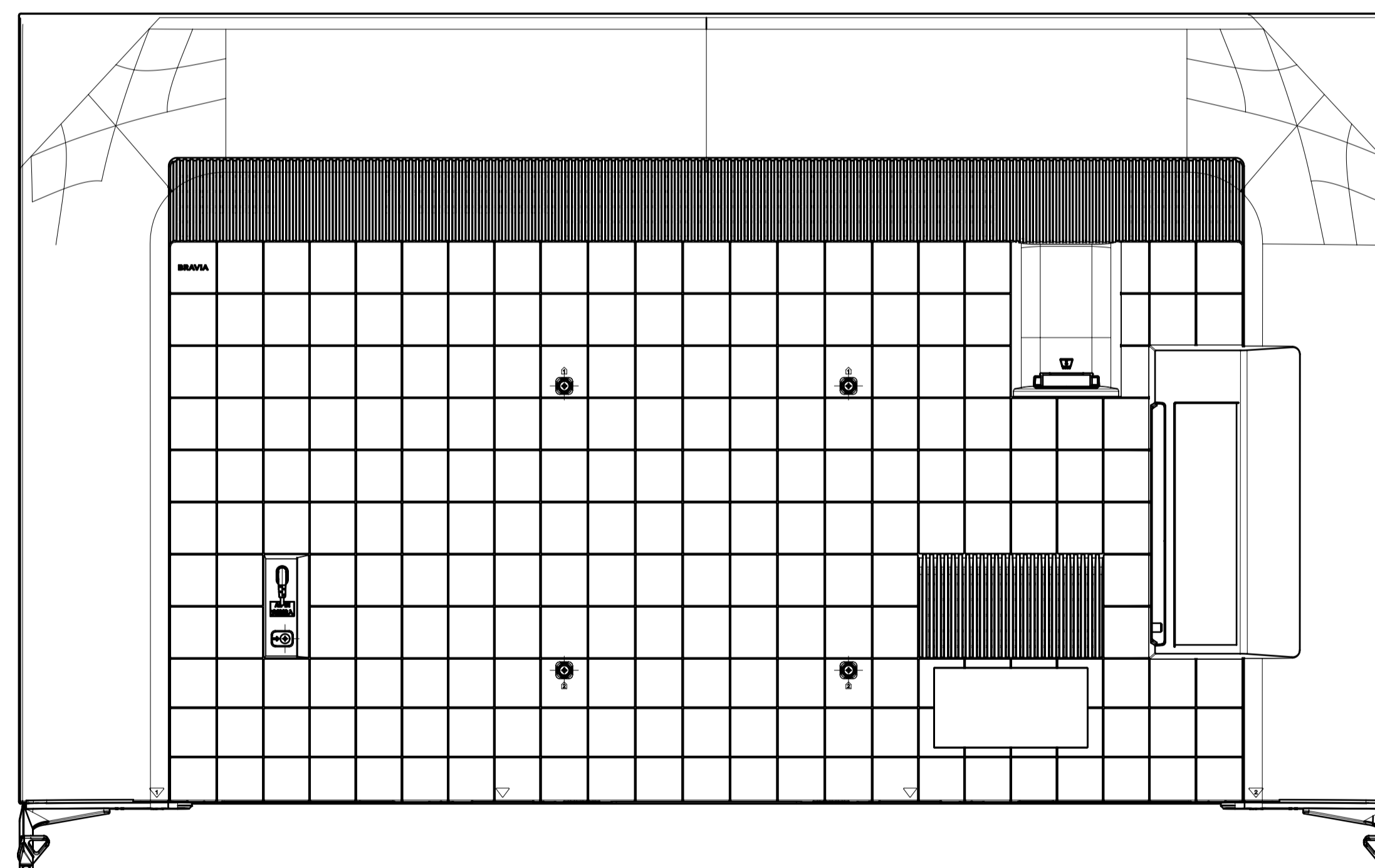
1449.6 (1450 SPEC)
(57 1/8 INCH : SPEC)

153.7
(6 1/8 INCH)

68.7
(2 3/4 INCH)



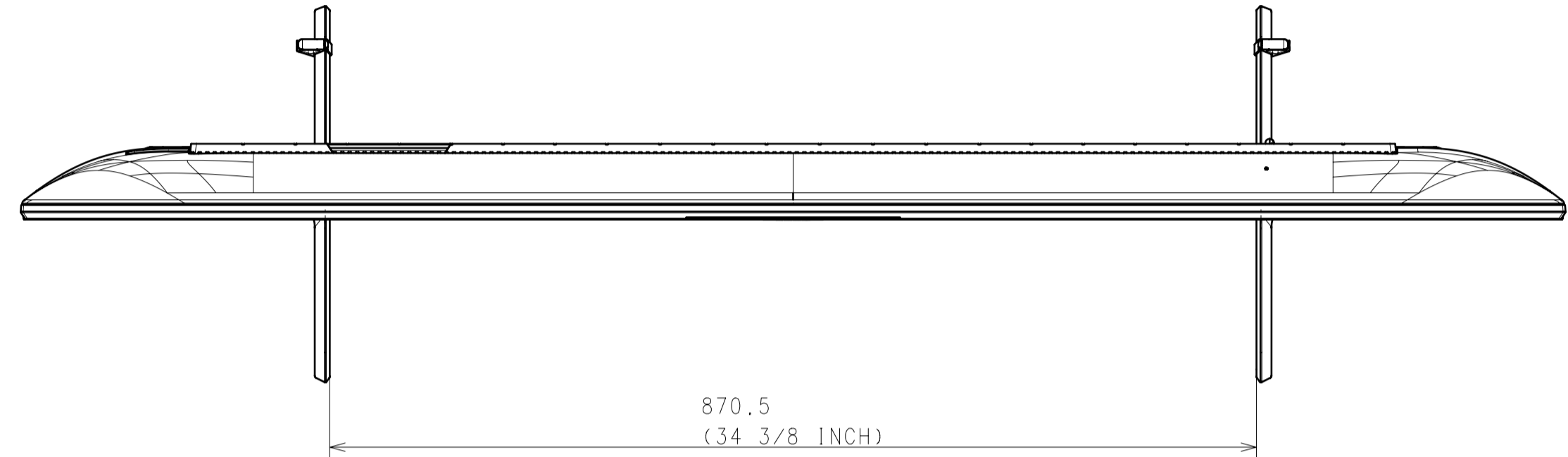
353.1 (354 SPEC)
(14 INCH : SPEC)



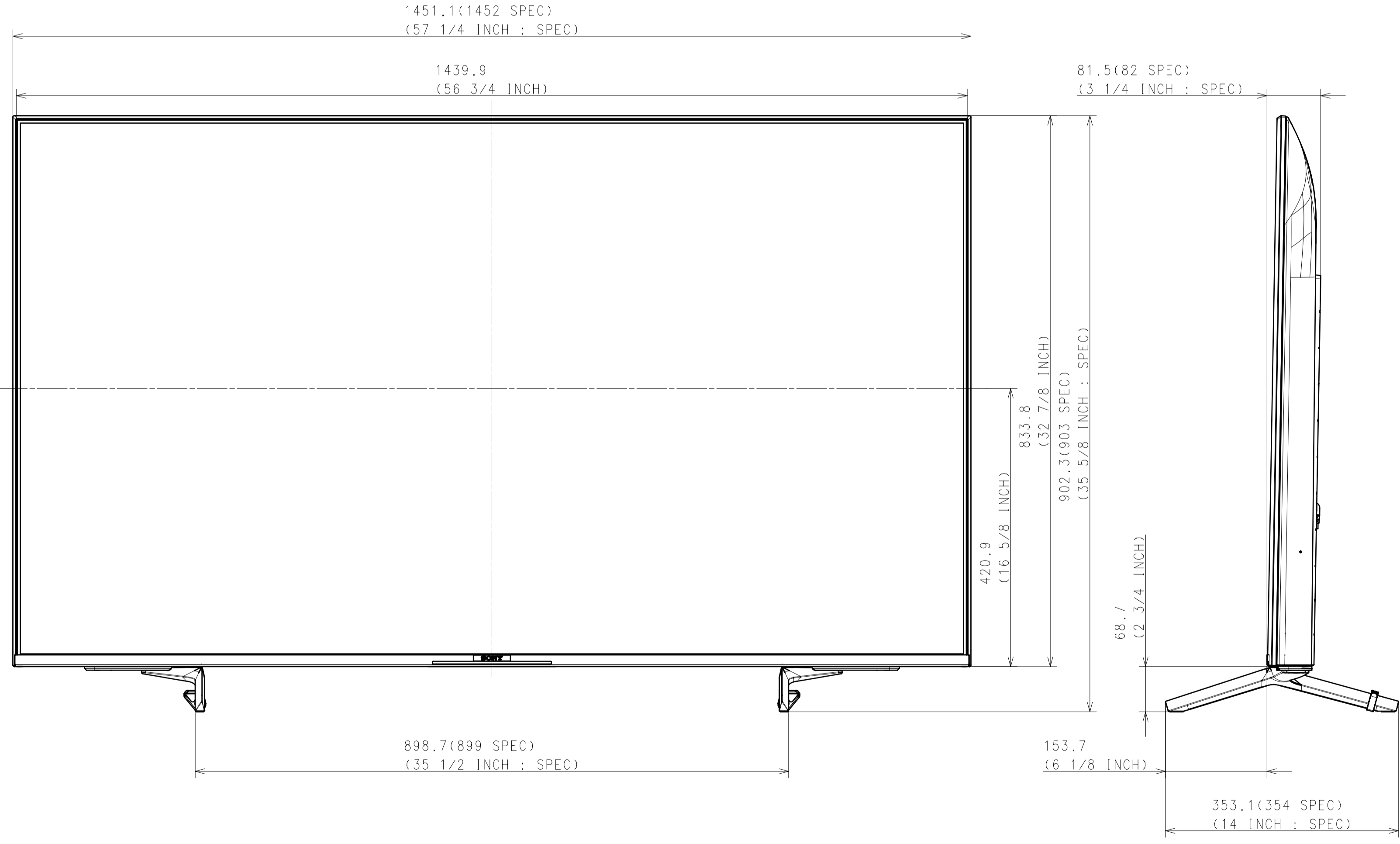
DESCRIPTION 1	LEGAL OWNER	SCALE
65 (X85J) EXTERIOR VIEW	Sony Corporation	1:5
DESCRIPTION 2	PART NO.	SHEET/PAGES
65 (X85J) EXTERIOR VIEW		6 / 7

WITH STAND

PREMIUM EDGE STAND (NARROW POSITION)
KD-65X89J (EUROPE DERIVATIVE) only



870.5
(34 3/8 INCH)



1451.1(1452 SPEC)
(57 1/4 INCH : SPEC)

1439.9
(56 3/4 INCH)

81.5(82 SPEC)
(3 1/4 INCH : SPEC)

420.9
(16 5/8 INCH)

833.8
(32 7/8 INCH)

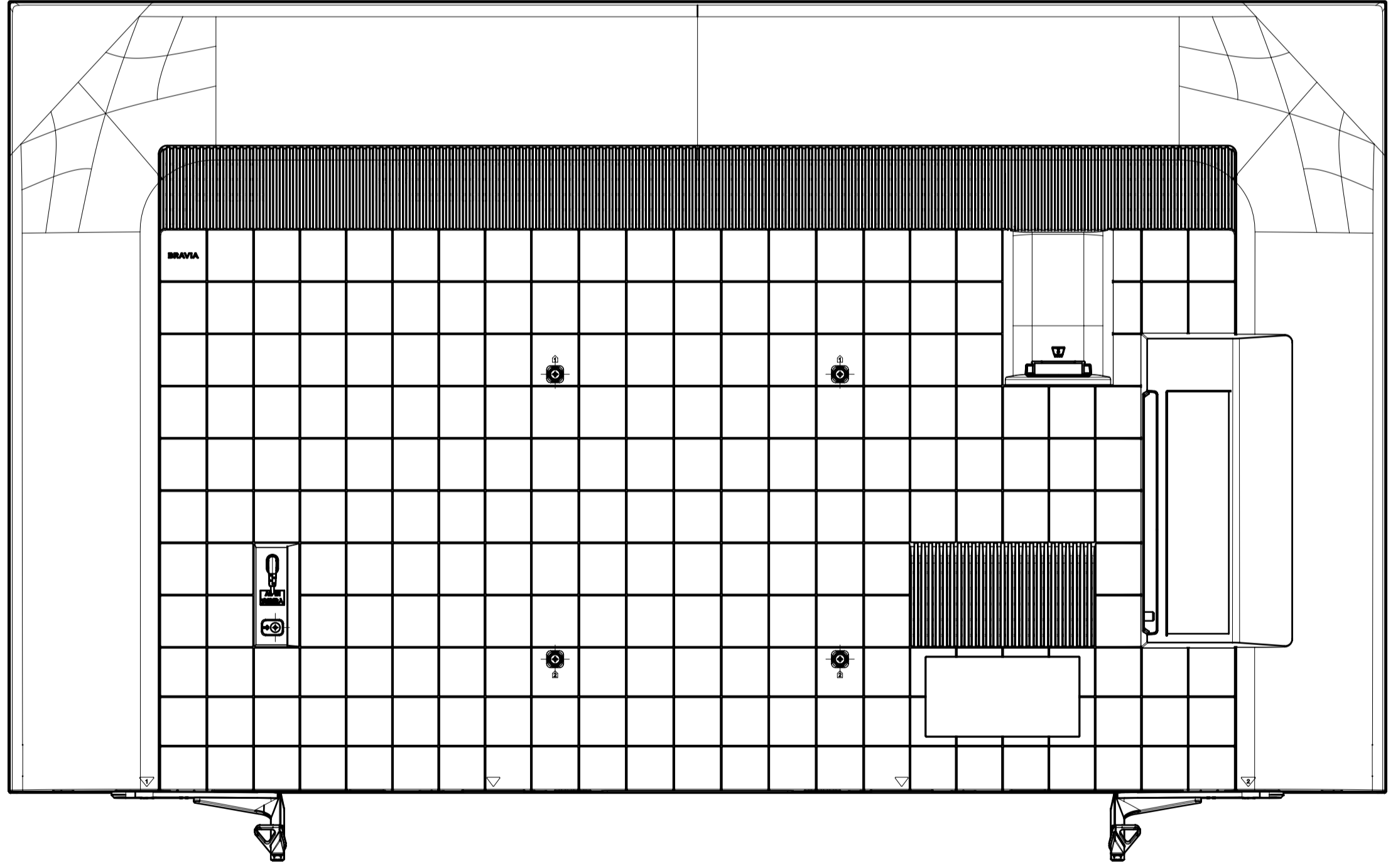
902.3(903 SPEC)
(35 5/8 INCH : SPEC)

68.7
(2 3/4 INCH)

898.7(899 SPEC)
(35 1/2 INCH : SPEC)

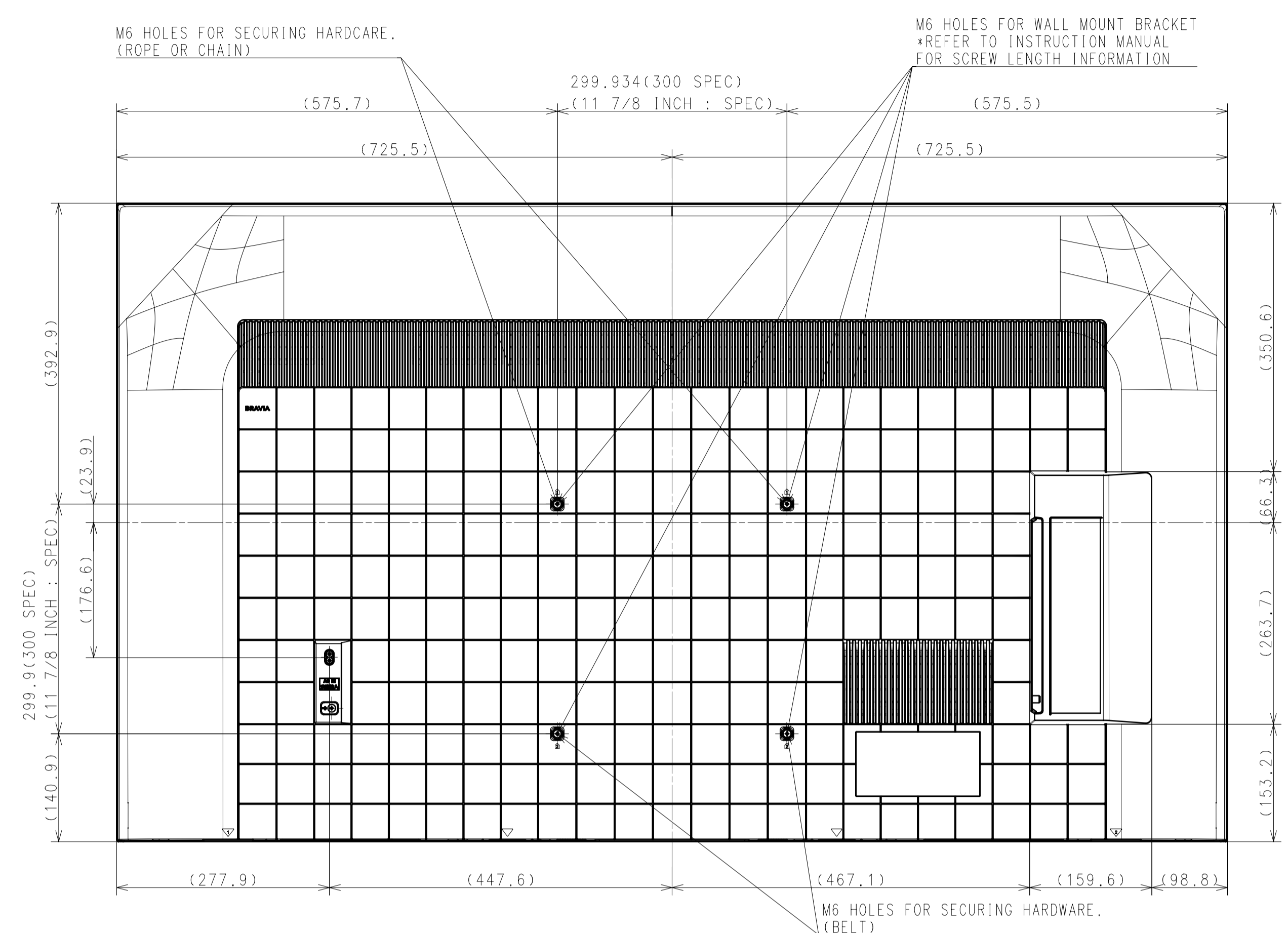
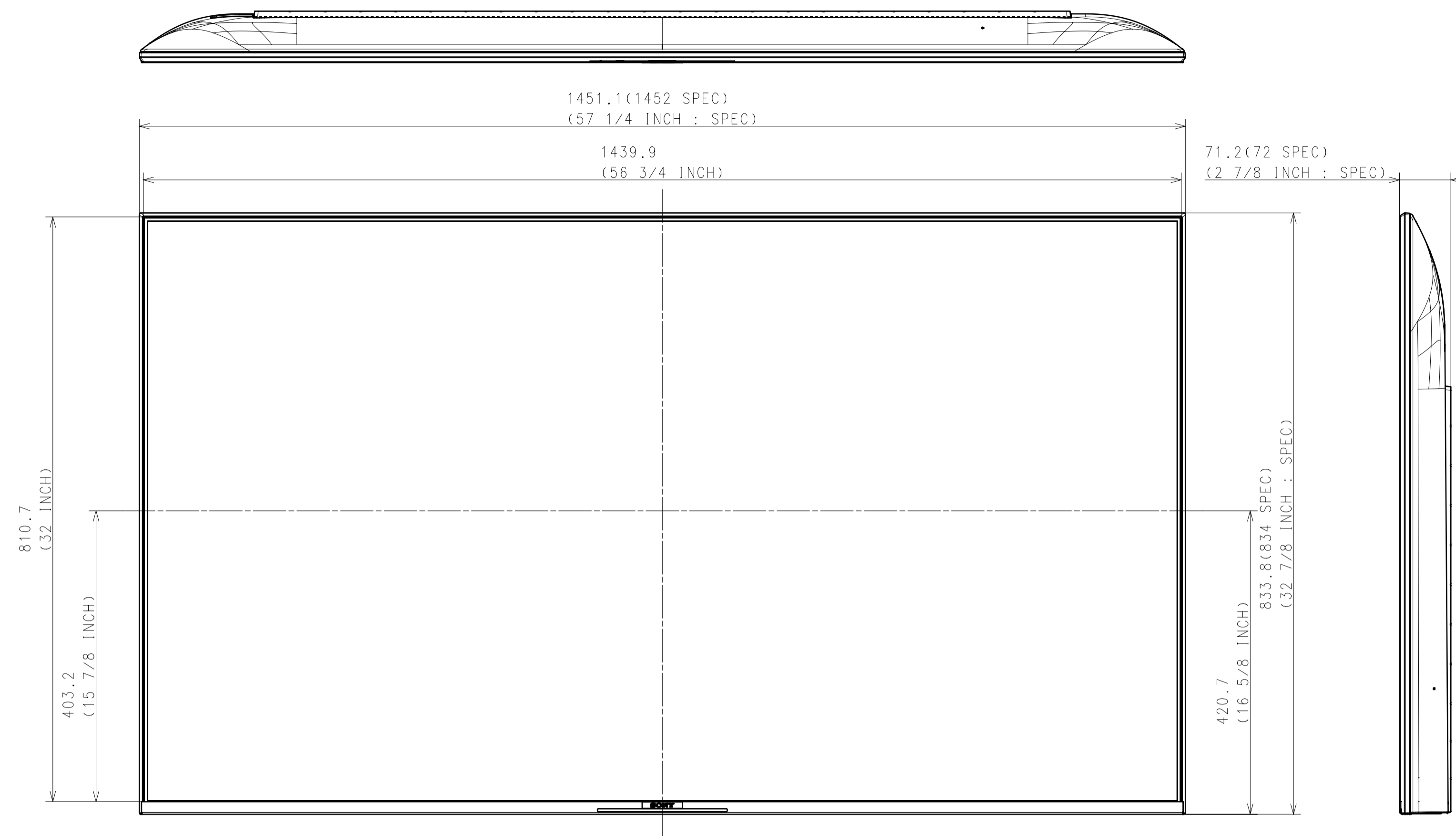
153.7
(6 1/8 INCH)

353.1(354 SPEC)
(14 INCH : SPEC)

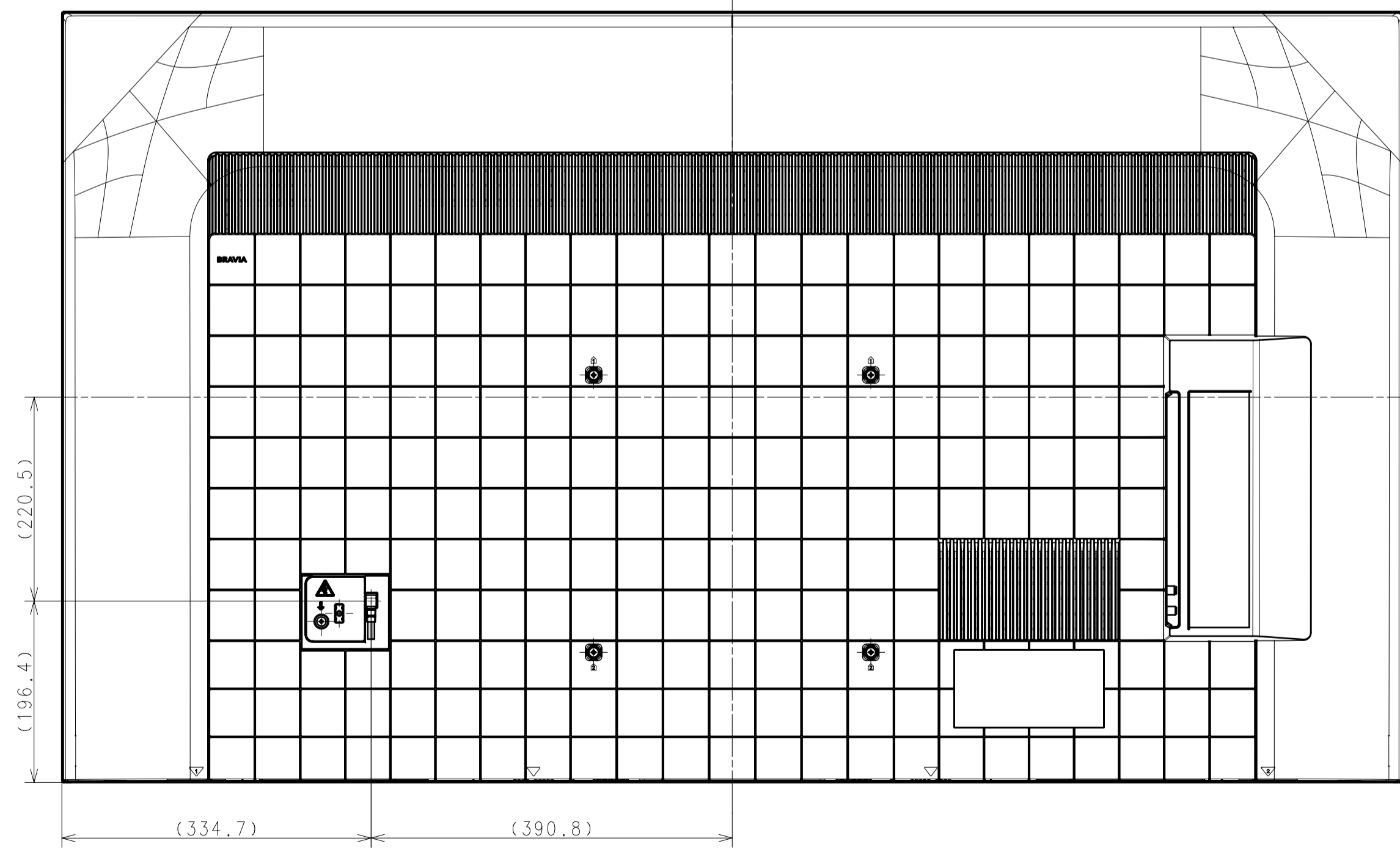


DESCRIPTION	LEGAL OWNER	SCALE
65 (X85J) EXTERIOR VIEW	Sony Corporation	1:5
DESCRIPTION	PART NO.	SHEET/PAGES
65 (X85J) EXTERIOR VIEW		7 / 7

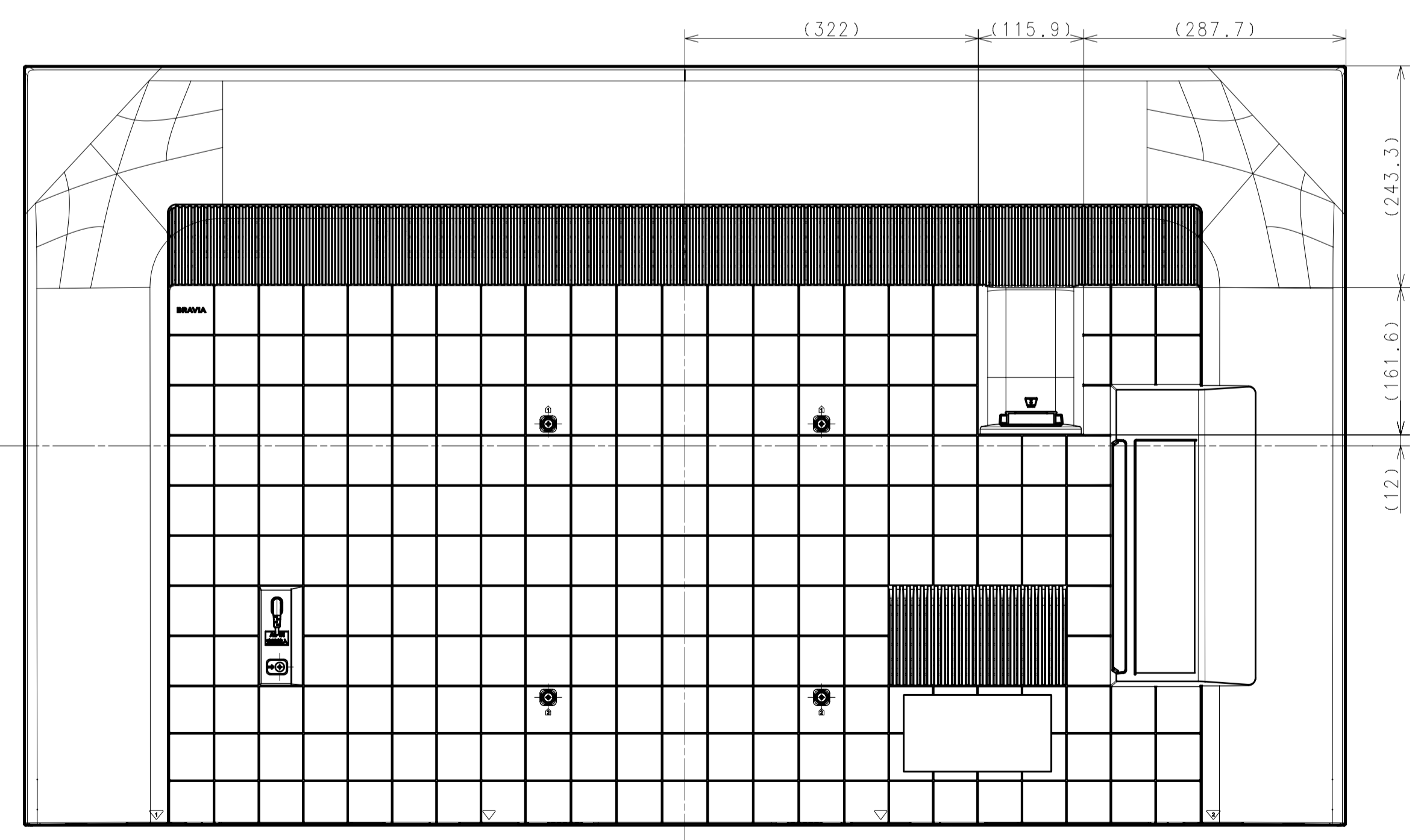
WITHOUT STAND



For. NORTH AMERICA, GENERAL AREA, CHINA



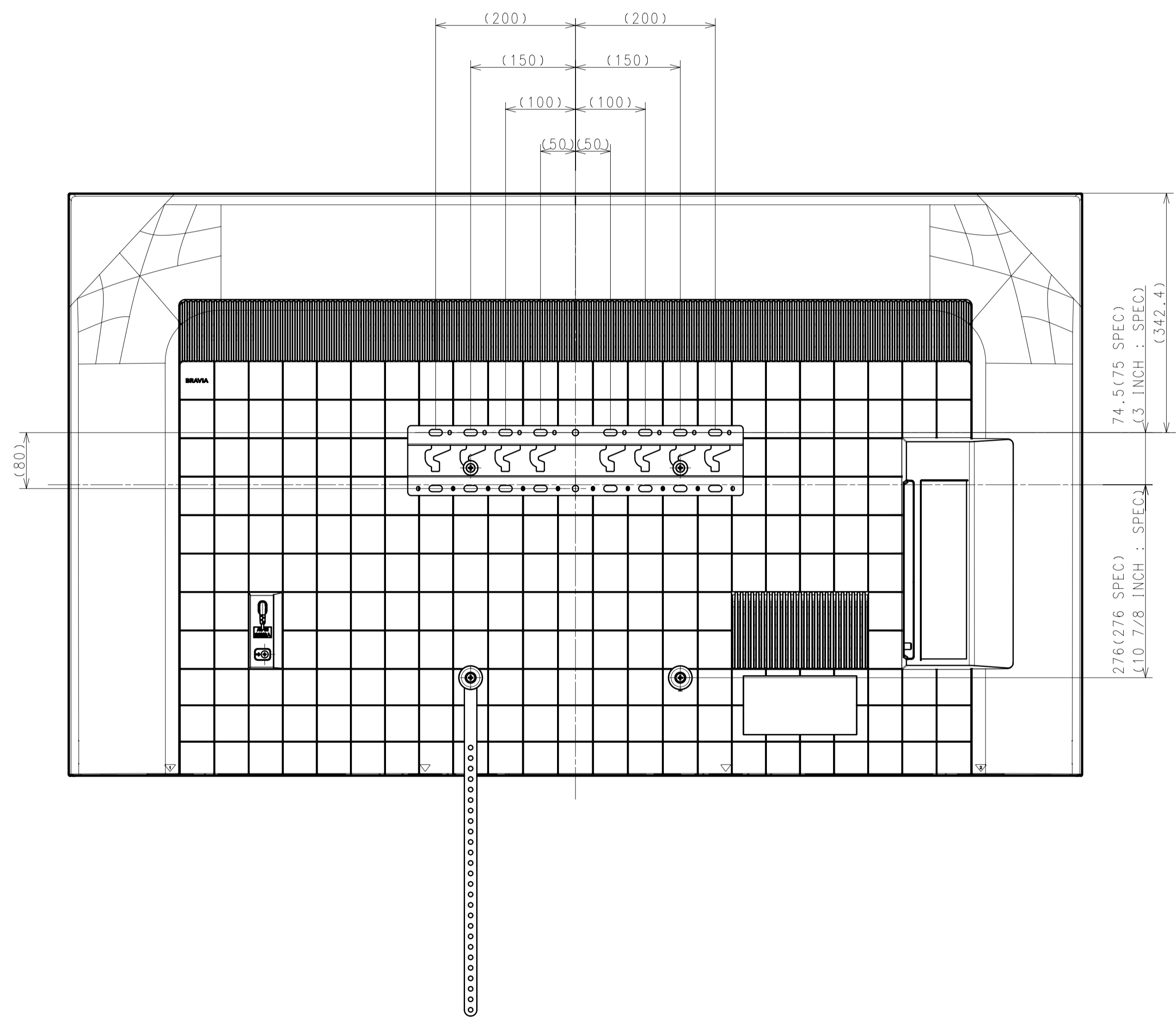
For. JAPAN, LATIN AMERICA



For. EUROPE

DESCRIPTION	LEGAL OWNER	SCALE
65 (X85J) EXTERIOR VIEW	Sony Corporation	1:5
DESCRIPTION	PART NO.	SHEET/PAGES
65 (X85J) EXTERIOR VIEW		2 / 7

SU-WL450

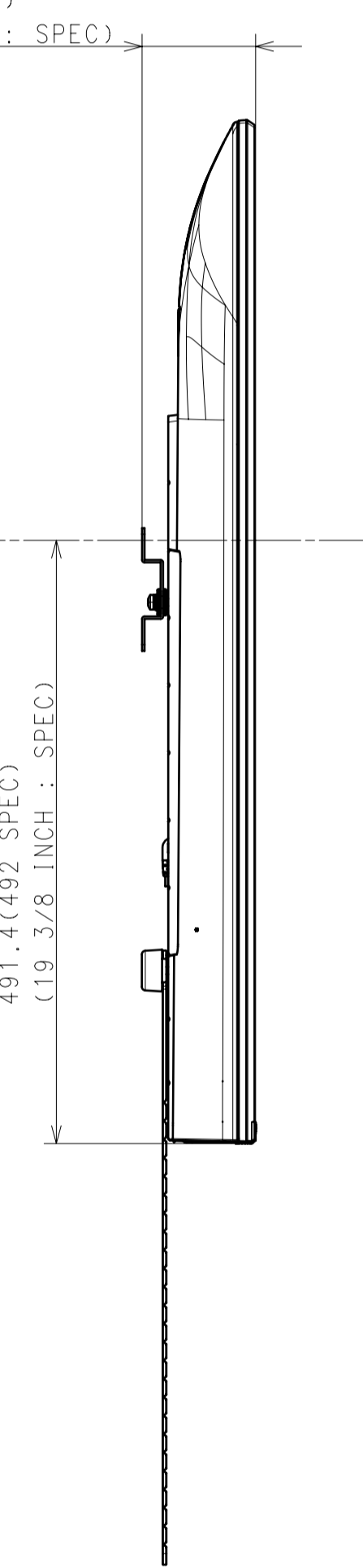
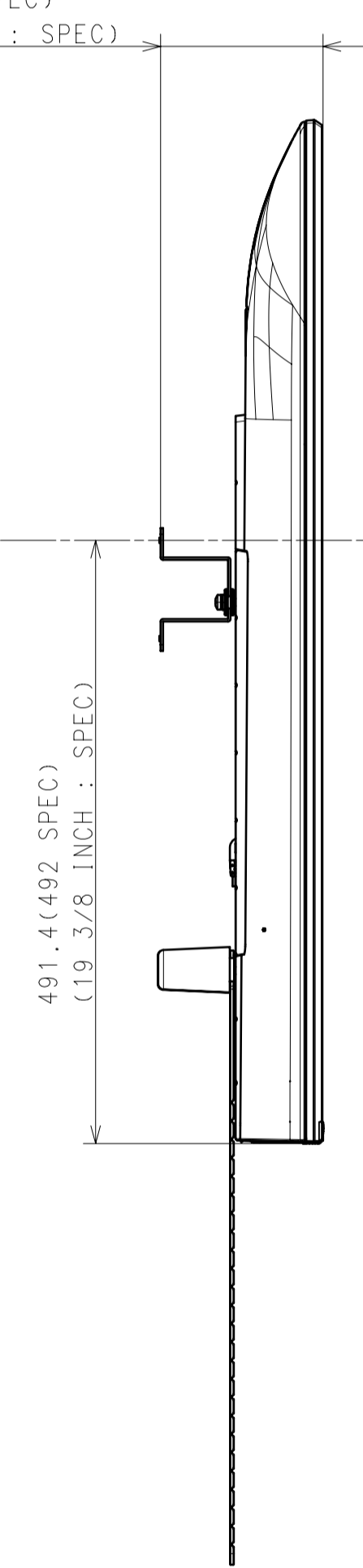


STANDARD

SLIM

132.3(133 SPEC)
(5 1/4 INCH : SPEC)

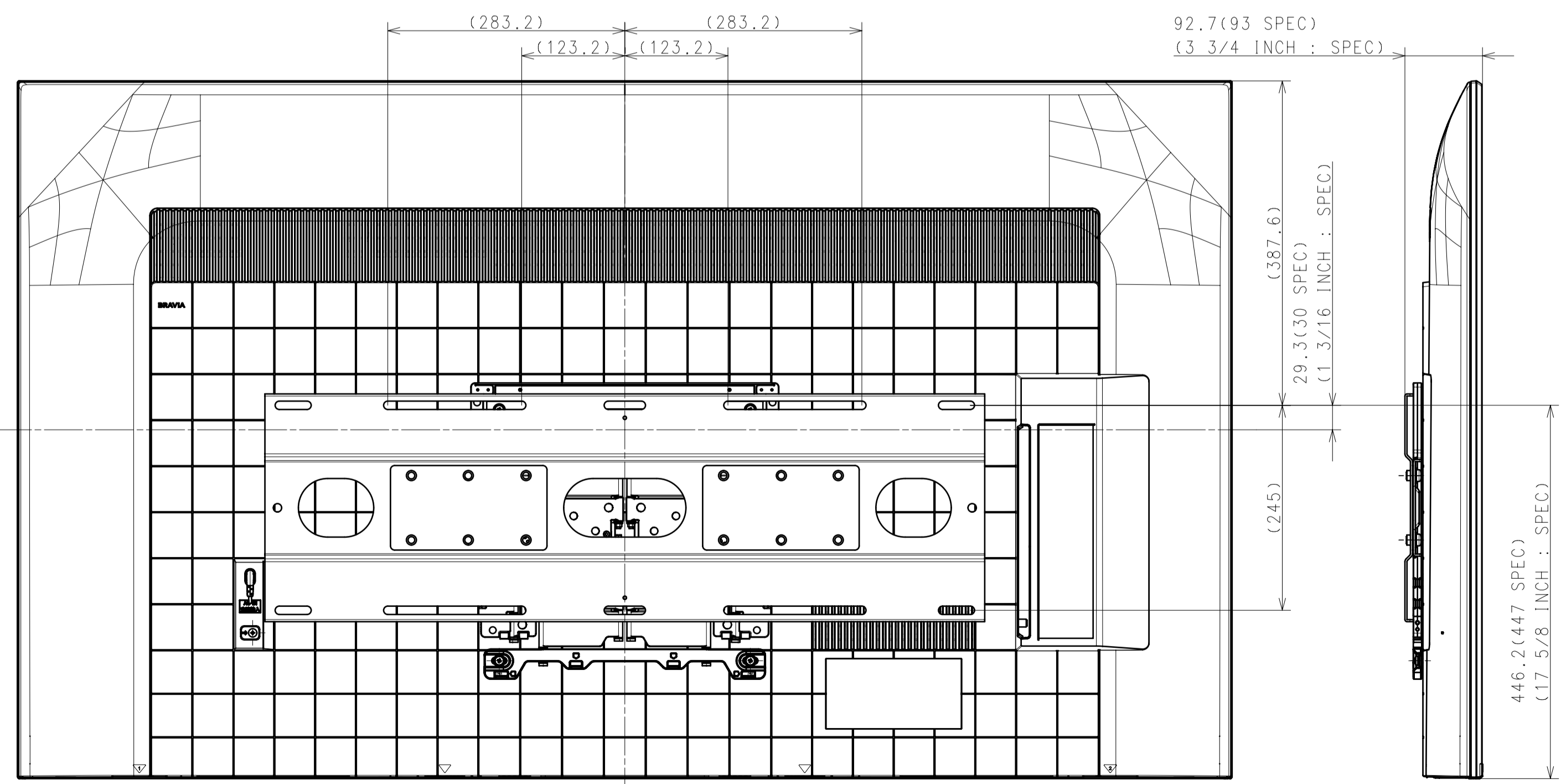
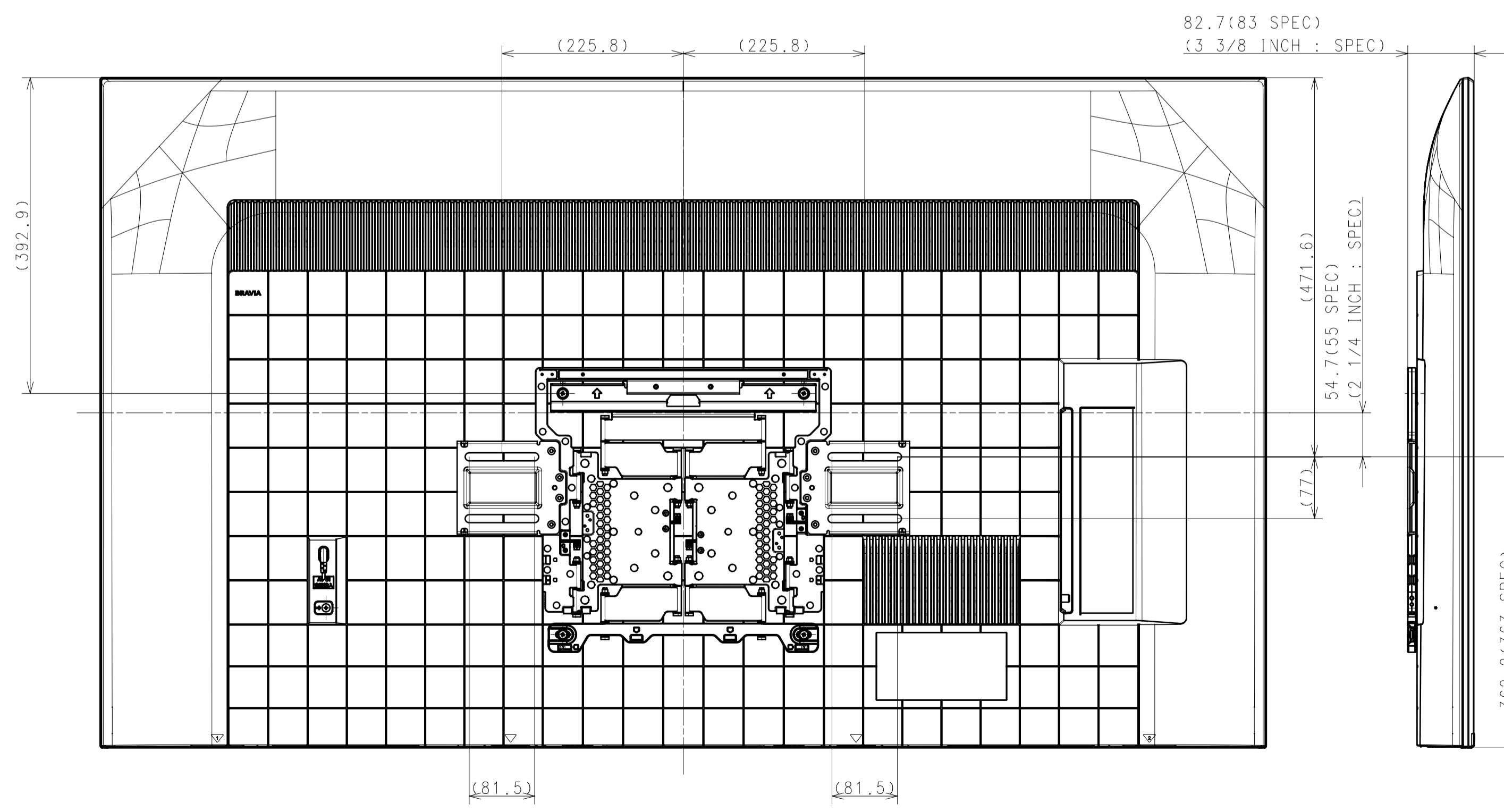
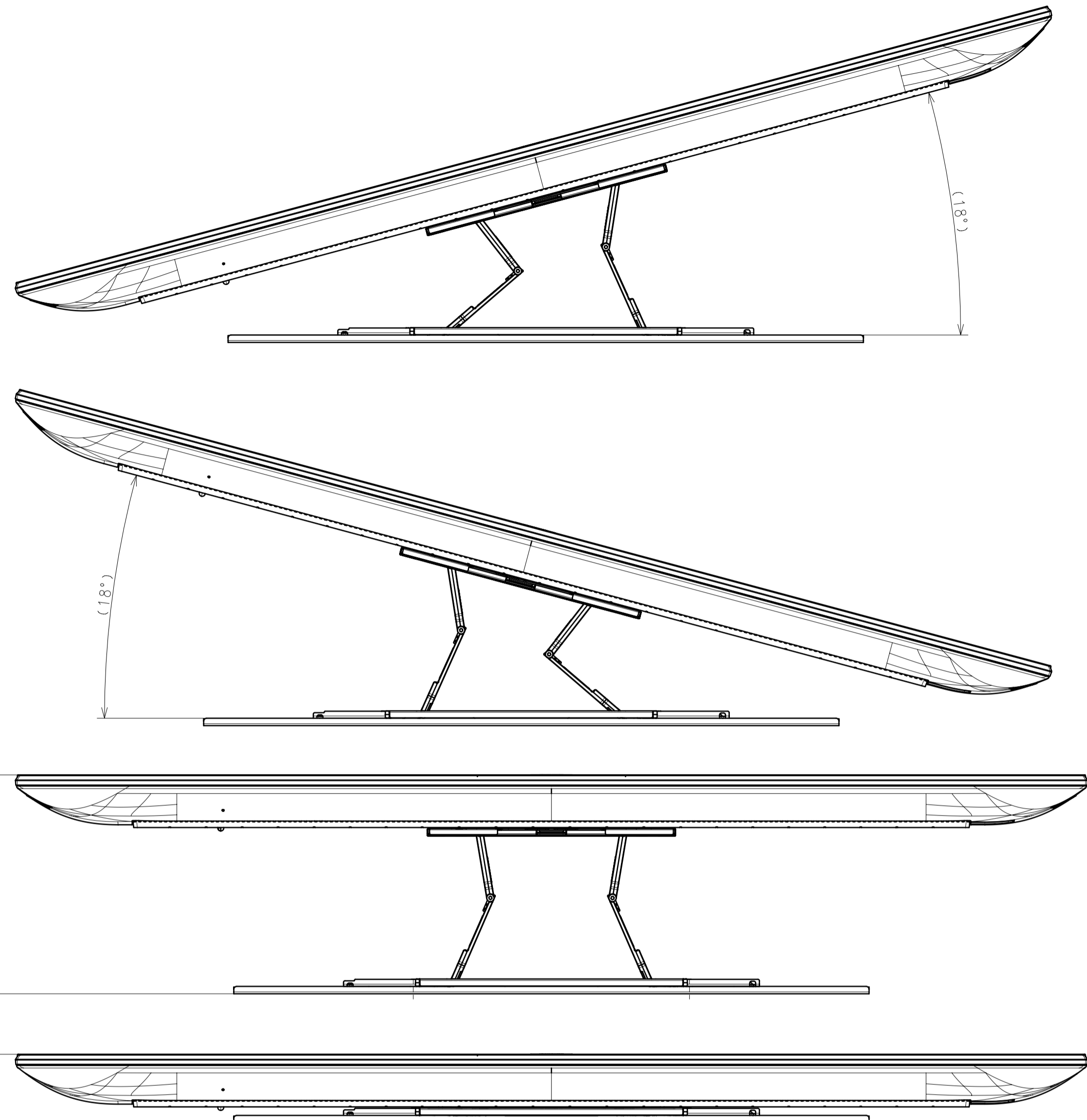
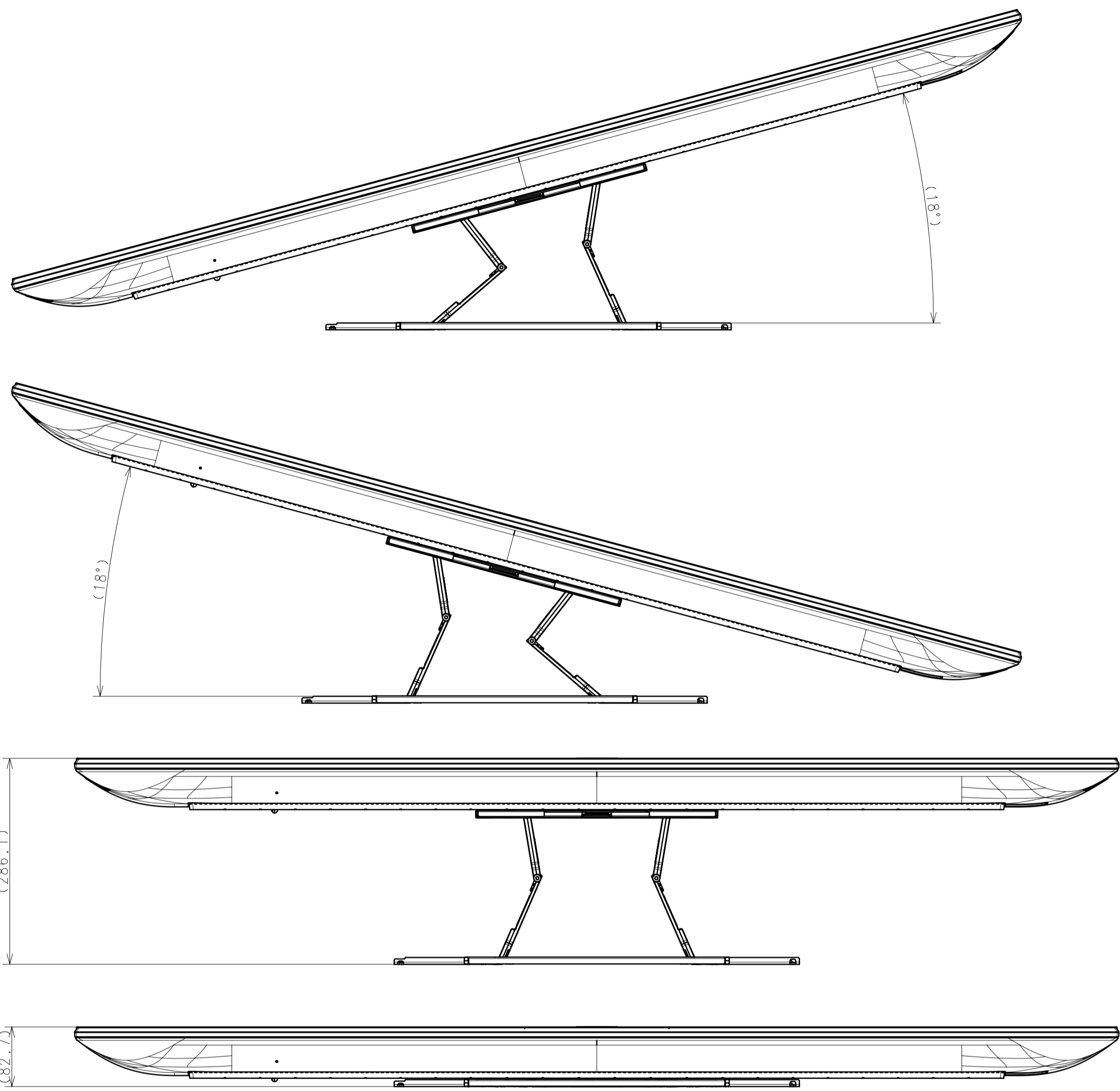
92.5(93 SPEC)
(3 3/4 INCH : SPEC)



DESCRIPTION	LEGAL OWNER	SCALE
65 (X85J) EXTERIOR VIEW	Sony Corporation	1:5
DESCRIPTION	PART NO.	SHEET/PAGES
65 (X85J) EXTERIOR VIEW		3 / 7

SU-WL850

SU-WL855 WITH LATERAL SHAFT BRACKET



DESCRIPTION 65 (X85J) EXTERIOR VIEW	LEGAL OWNER Sony Corporation	SCALE 1:5
DESCRIPTION 65 (X85J) EXTERIOR VIEW	PART NO.	SHEET/PAGES 4 / 7