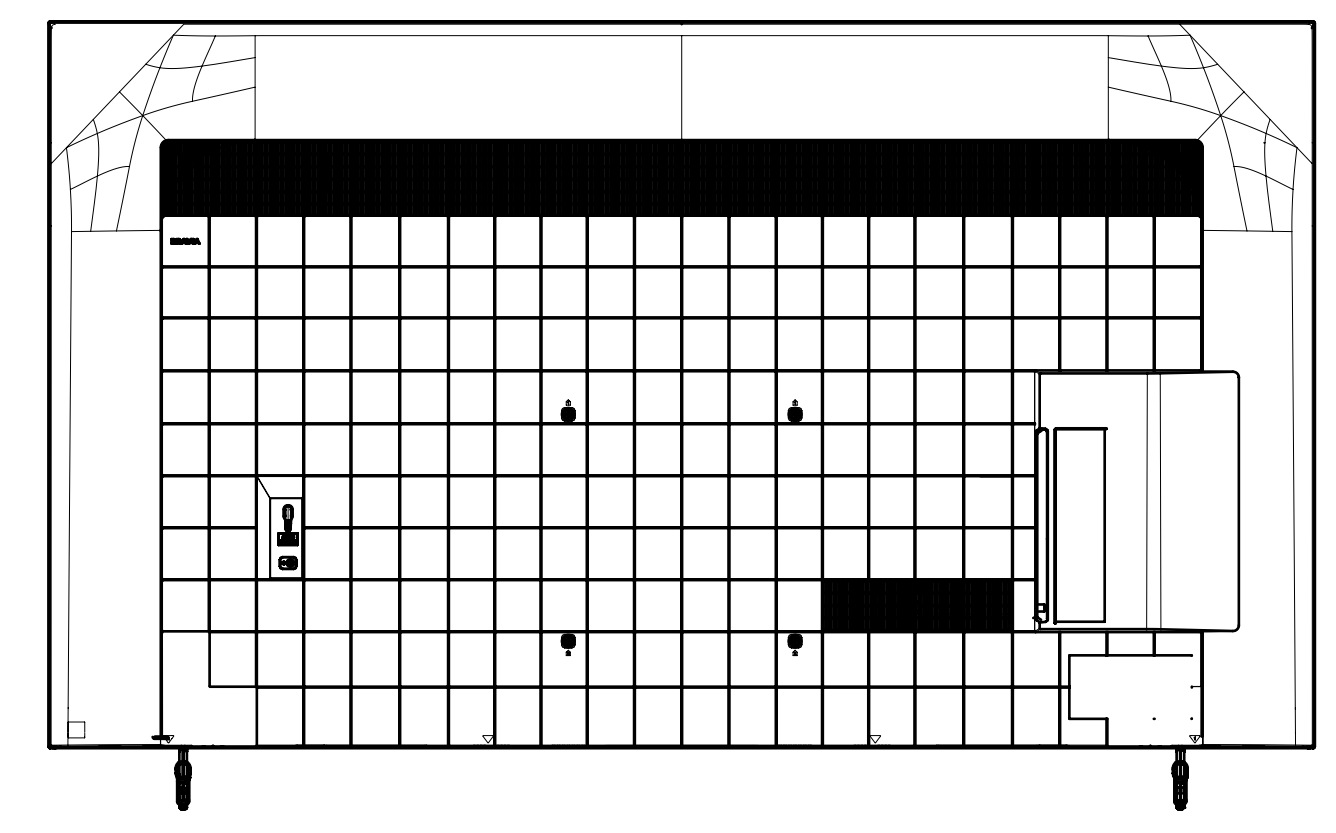
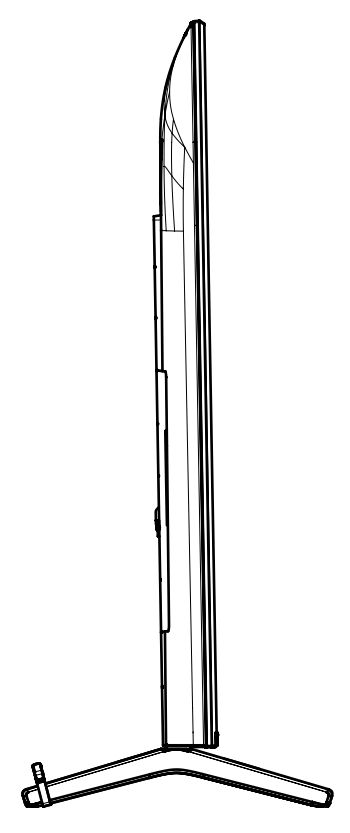
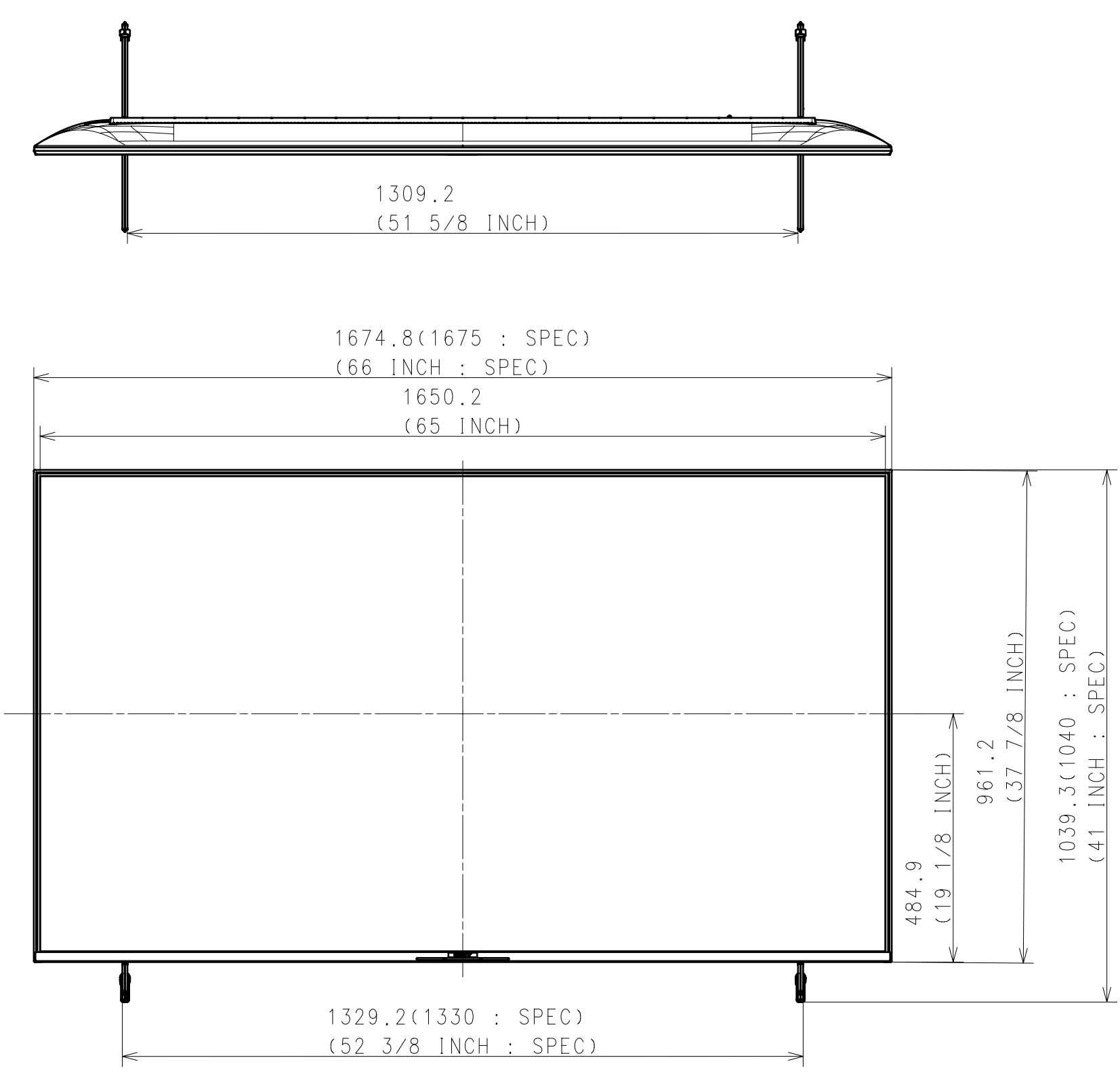


Area	JAPAN	NORTH AMERICA	LATIN AMERICA	EUROPE	EUROPE DERIVATIVE 2	GENERAL AREA	CHINA
Model Name	KJ-75X85J	KD-75X85J	KD-75X85J	KD-75X85J	KD-75X89J	KD-75X86J	KD-75X85J
SV No.	SV-39376	SV-39185	SV-39200	SV-39352	SV-39353	SV-39237	SV-39309
DIMENSION	TV only (W x H x D)	167.5 x 96.2 x 7.3 cm	1675 x 962 x 73 mm / 66 x 37 7/8 x 2 7/8 inch	1675 x 962 x 73 mm	Approx. 167.5 x 96.2 x 7.3 cm	Approx. 167.5 x 96.2 x 7.3 cm	Approx. 1675 x 962 x 73 mm
	TV with Stand (Standard position) (W x H x D)	167.5 x 104.0 x 41.0 cm	1675 x 1040 x 410 mm / 66 x 41 x 16 1/4 inch	1675 x 1040 x 410 mm	Approx. 167.5 x 104.0 x 41.0 cm	Approx. 167.5 x 103.4 x 41.5 cm	Approx. 1675 x 1040 x 410 mm
	TV with Stand (Narrow position) (W x H x D)	-	-	-	Approx. 167.5 x 104.0 x 41.0 cm	Approx. 167.5 x 103.4 x 41.5 cm	-
	TV with Stand (Soundbar position) (W x H x D)	-	-	-	-	-	-
	TV with Floor Stand (W x H x D)	-	-	-	-	-	-
	Stand Width (Standard position)	133.0 cm	1330 mm / 52 3/8 inch	1330 mm	Approx. 133.0 cm	Approx. 167.4 cm	Approx. 1330 mm
	Stand Width (Narrow position)	-	-	-	Approx. 55.9 cm	Approx. 108.2 cm	-
	Stand Width (Soundbar position)	-	-	-	-	-	-
	Floor Stand Width	-	-	-	-	-	-
VESA Hole Pitch	30.0 x 30.0 cm	300 x 300 mm / 11 7/8 x 11 7/8 inch	300 x 300 mm	30.0 x 30.0 cm	30.0 x 30.0 cm	300 x 300 mm	300 x 300 mm
WEIGHT	TV Only	32.6 kg	32.6 kg / 71.9 lb	32.6 kg	Approx. 32.6 kg	Approx. 32.6 kg	Approx. 32.6 kg
	TV with Stand (Standard position)	33.8 kg	33.8 kg / 74.5 lb	33.8 kg	Approx. 33.8 kg	Approx. 34.7 kg	Approx. 33.8 kg
	TV with Stand (Narrow position)	-	-	-	-	-	-
	TV with Stand (Soundbar position)	-	-	-	-	-	-
	TV with Floor Stand	-	-	-	-	-	-
	Floor Stand weight (Supply)	-	-	-	-	-	-
W-M't Br. Weight (Supply)	-	-	-	-	-	-	
Remarks				2way	2way, Premium Edge Stand		

WITH STAND

MAIN STAND (STANDARD POSITION)
EXCEPT KD-75X89J (EUROPE DERIVATIVE)

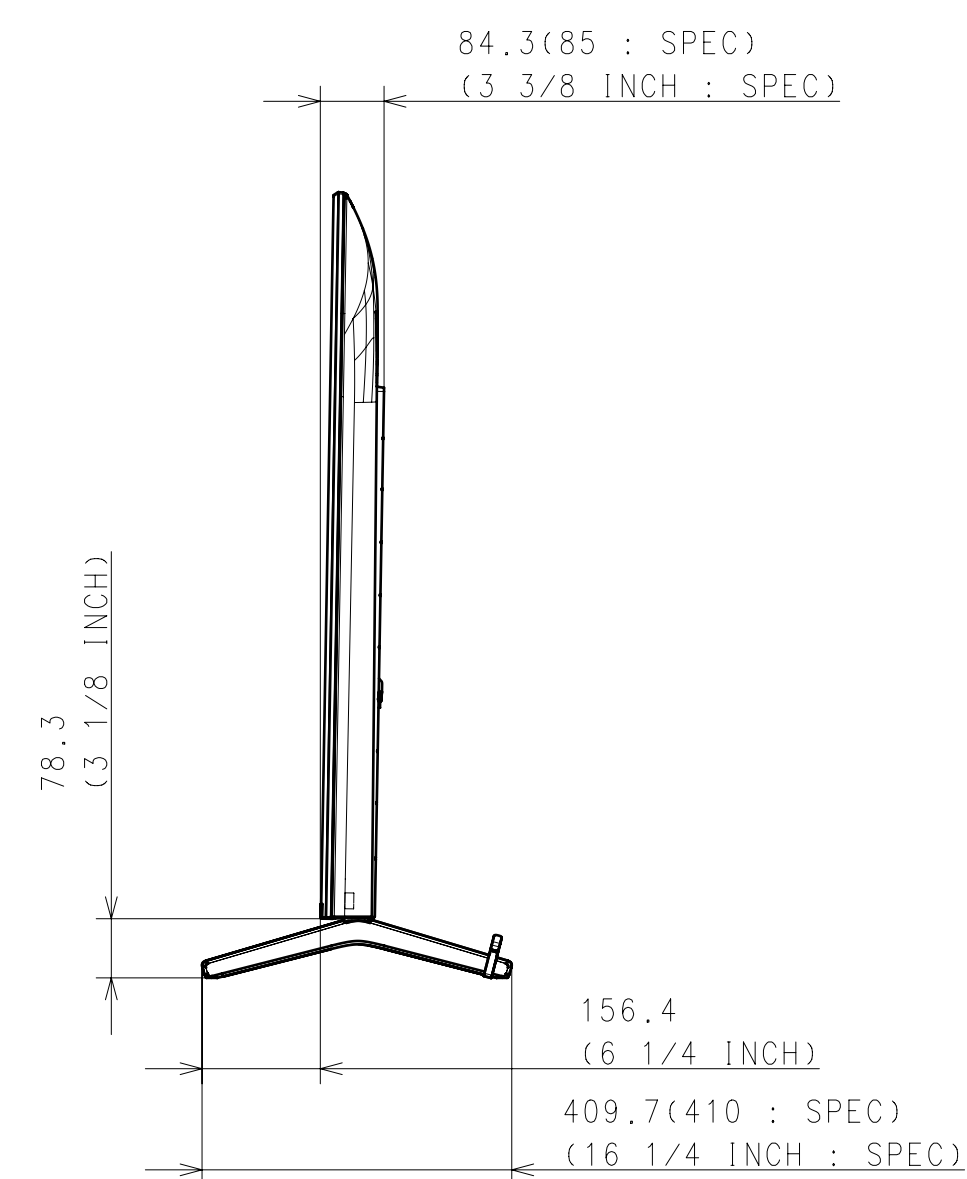
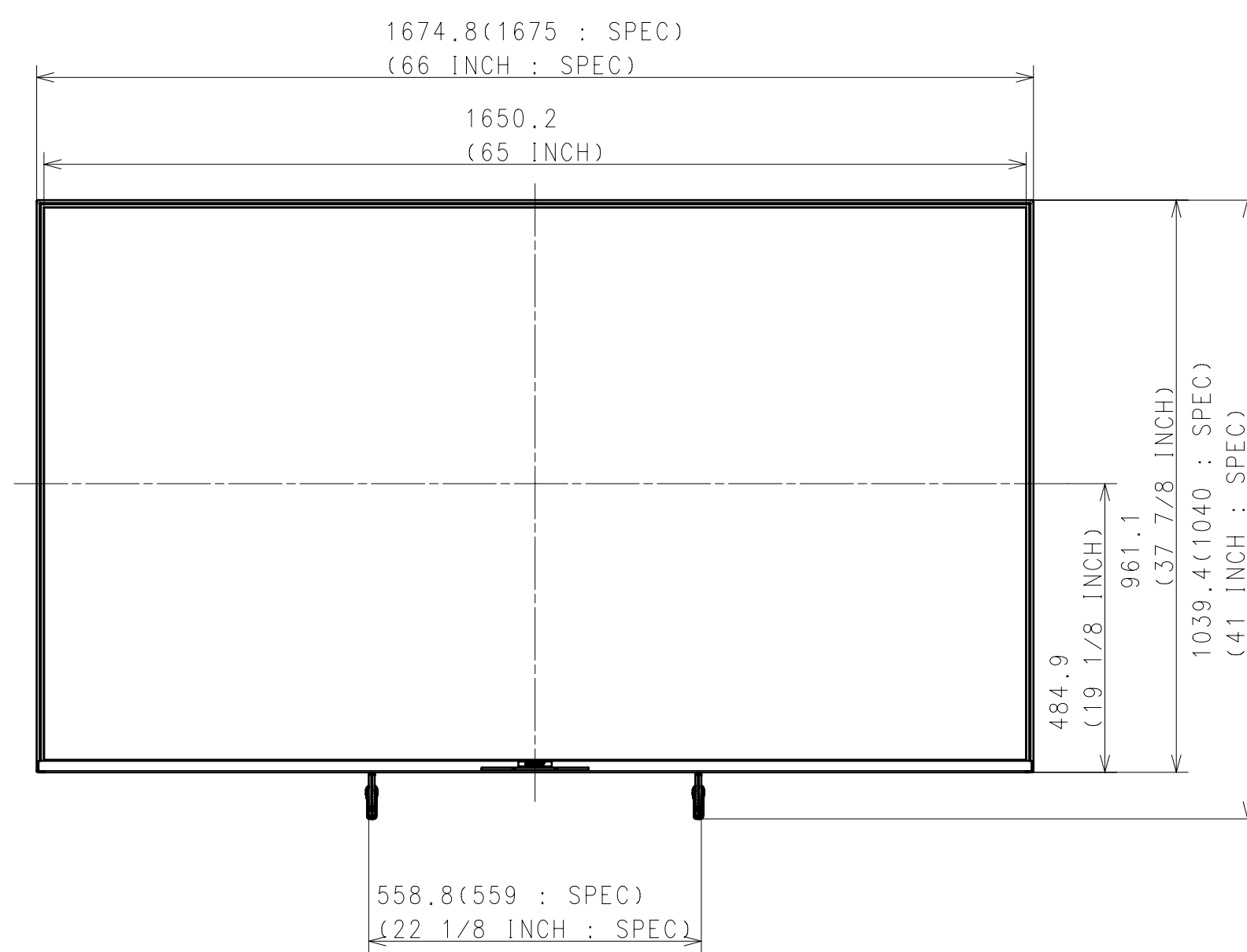
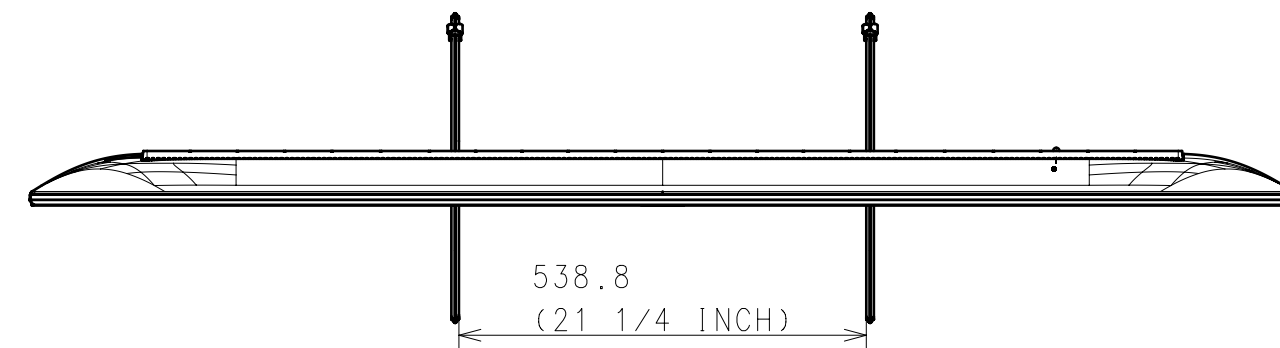


Purchase recycled resins and wire rods only from the business partners that Sony approves as Green Partners.
 再生樹脂・銅線材はグリーンパートナー 認定受注先から調達すること。

DATE OF ISSUE 2020.12.25	DOCUMENT TYPE PART	GENERAL TOLERANCE	FINISH(COLOR)
TOLERANCE (JIS 0 (MATERIALS))	DRAWING	MATERIAL(COLOR)	FINISH(COLOR)
HISTORY X COUNT	SUFFIX REV. NO.	RELEASE NO. DATE	REVISION
LEGAL OWNER Sony Corporation	RESPONSIBLE DEPARTMENT PANEL AND MECHANICAL DESIGN	ORIGINAL MODEL SV-39352 (J11)	DESCRIPTION 75 (X85J) EXTERIOR VIEW
PLANNED BY 2020.12.25 IJMAN - DSJ MECH	DESIGNED BY 2020.12.25 IJMAN - DSJ MECH	APPROVED BY	SCALE 1:10
SIZE A1	UNIT mm	PART NO.	SUFFIX REV. NO.
1/6			

WITH STAND

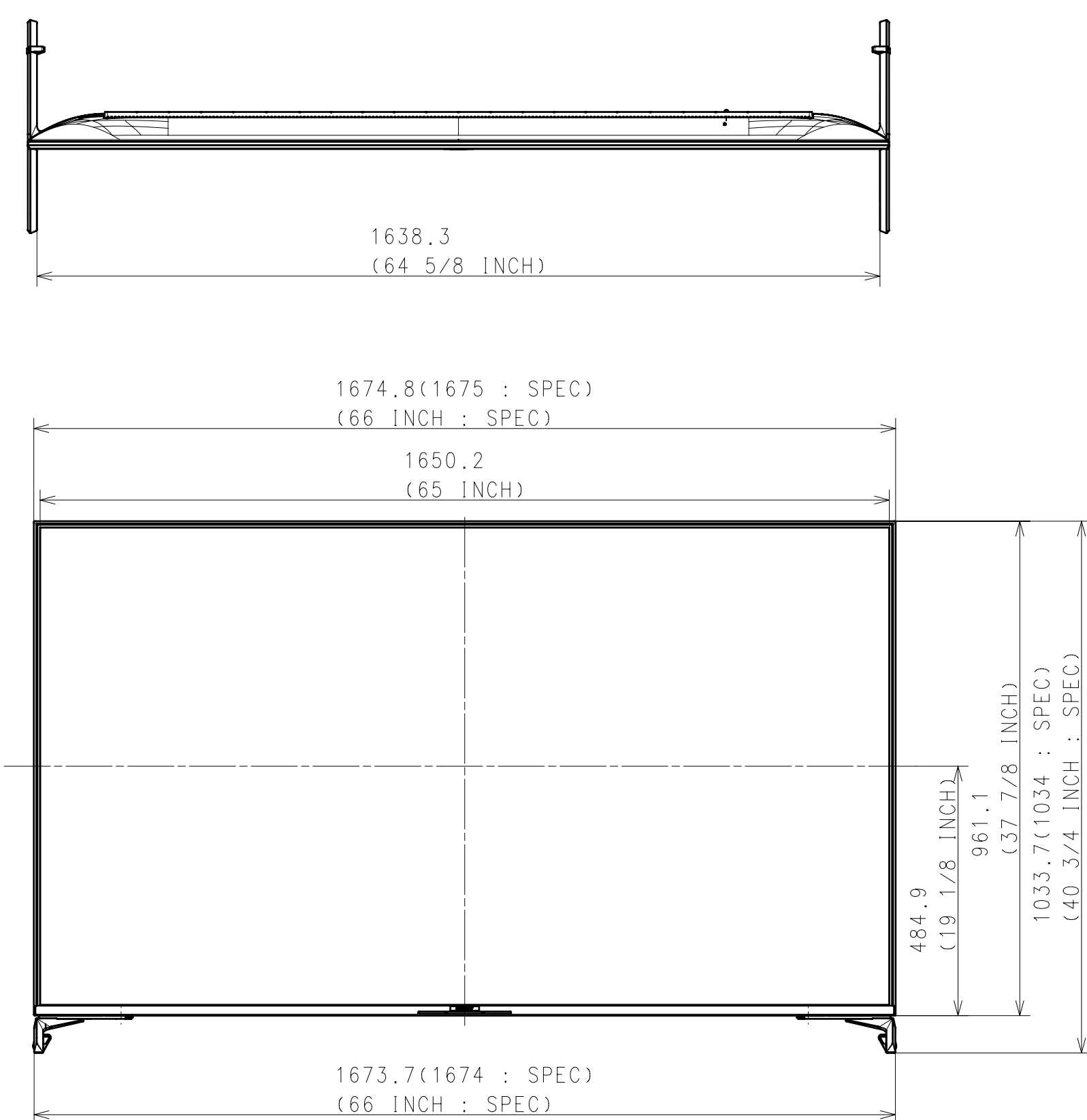
MAIN STAND (NARROW POSITION)
KD-75X85J (EUROPE) only



DESCRIPTION 1	LEGAL OWNER	SCALE
75 (X85J) EXTERIOR VIEW	Sony Corporation	1:1
DESCRIPTION 2	PART NO.	SHEET/PAGES
75 (X85J) EXTERIOR VIEW		2 / 6

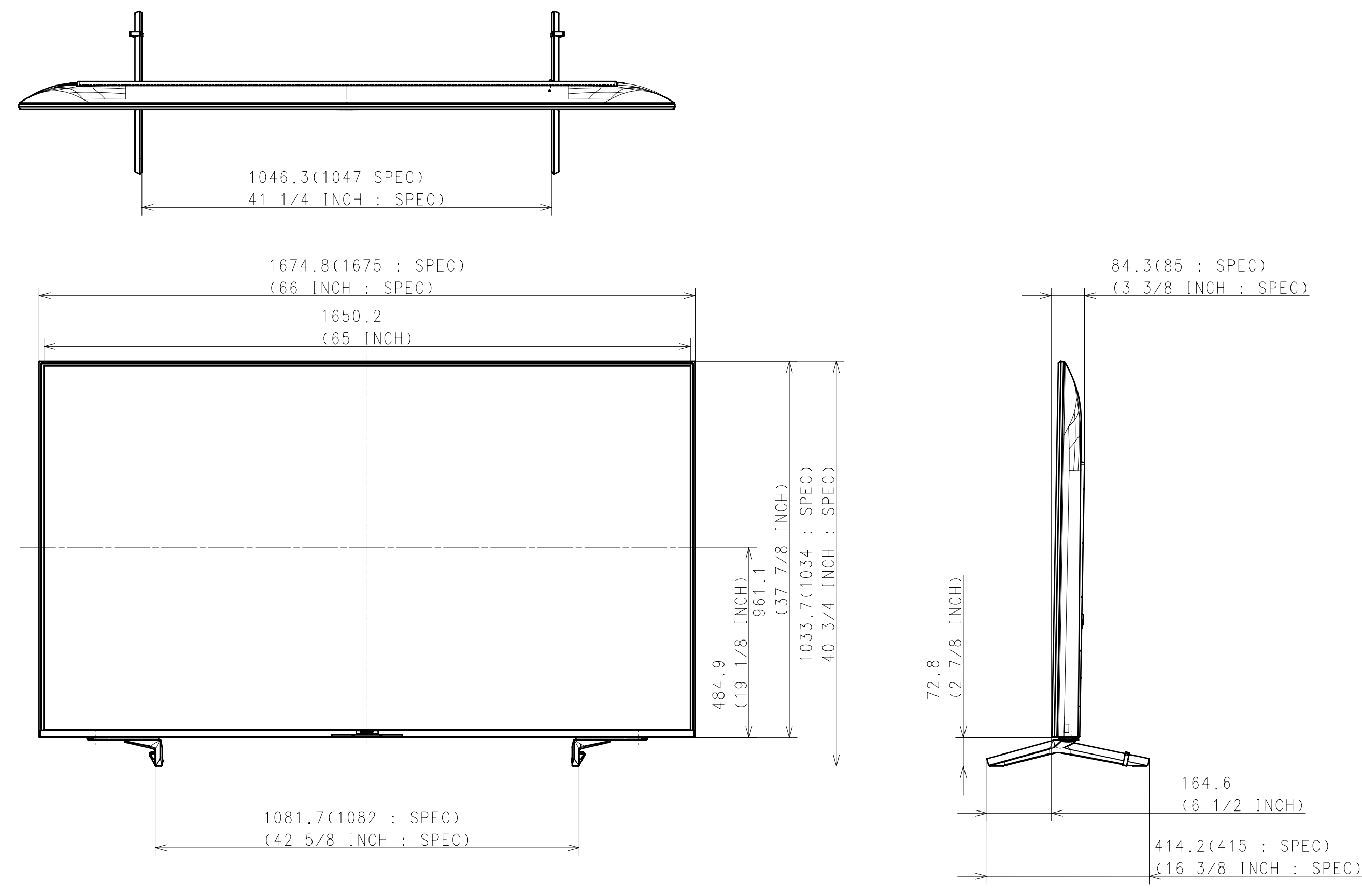
WITH STAND

PREMIUM EDGE STAND (STANDARD POSITION)
KD-75X89J (EUROPE DERIVATIVE 2) only



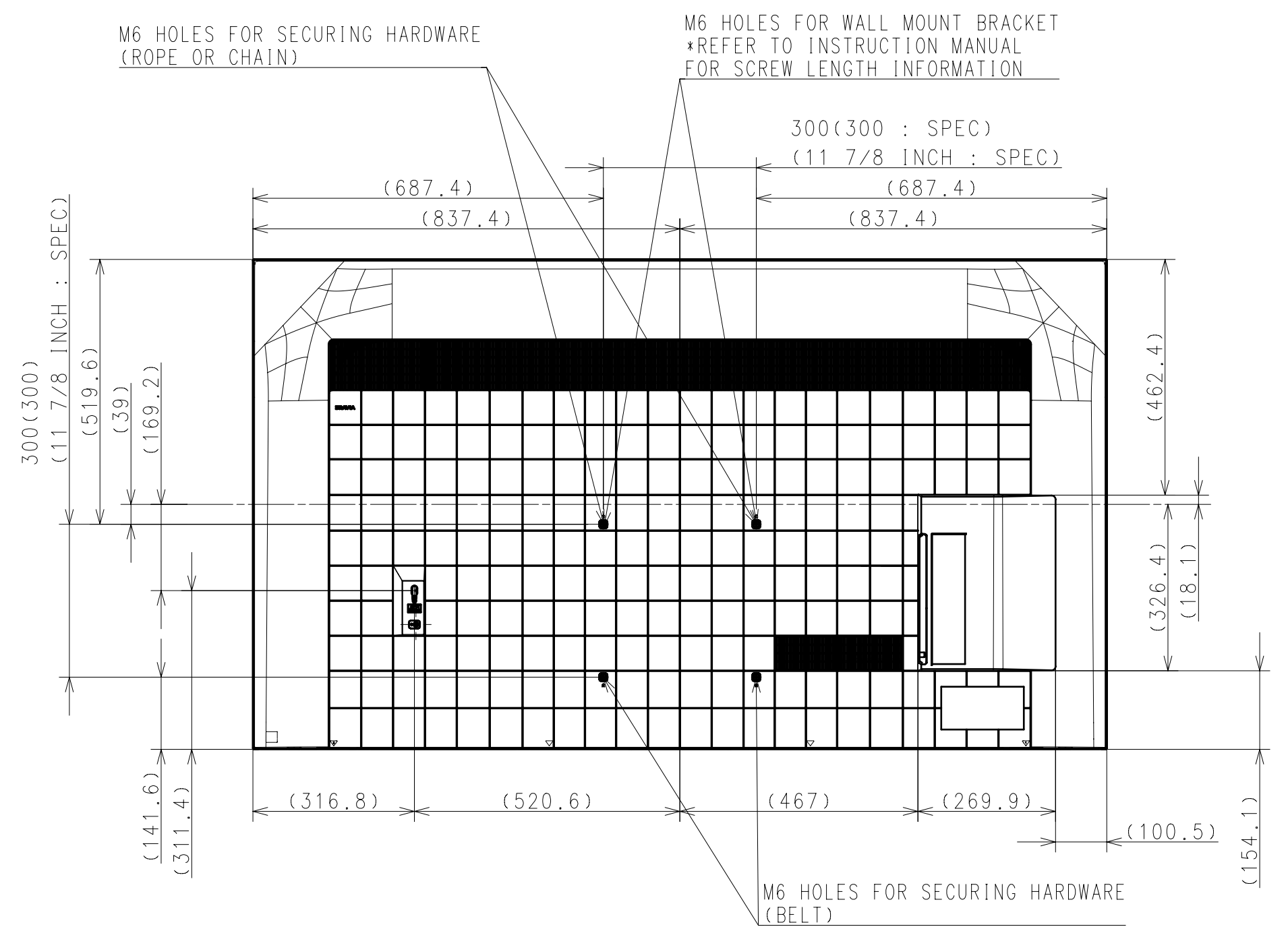
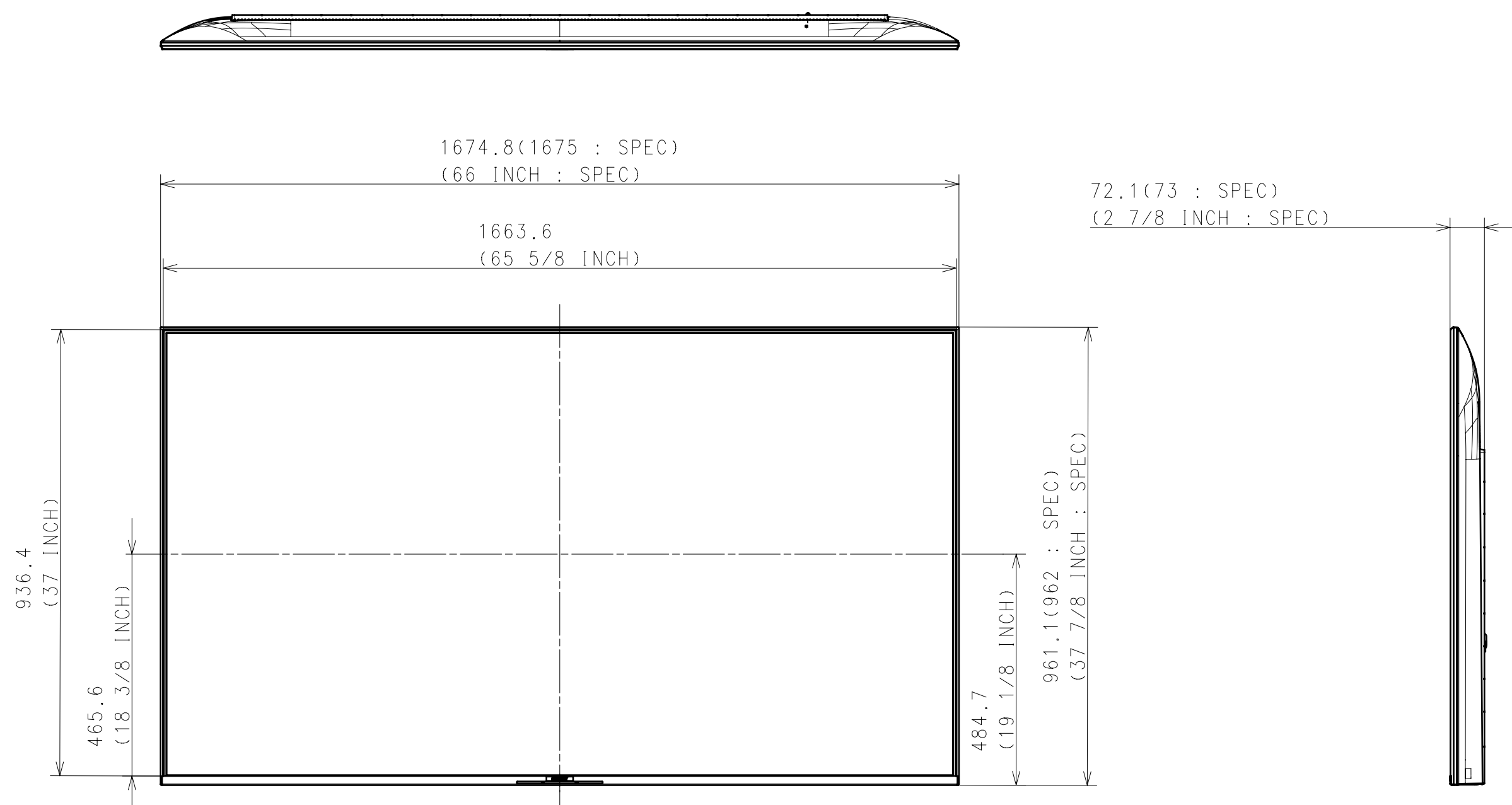
WITH STAND

PREMIUM EDGE STAND (STANDARD POSITION)
KD-75X89J (EUROPE DERIVATIVE 2) only

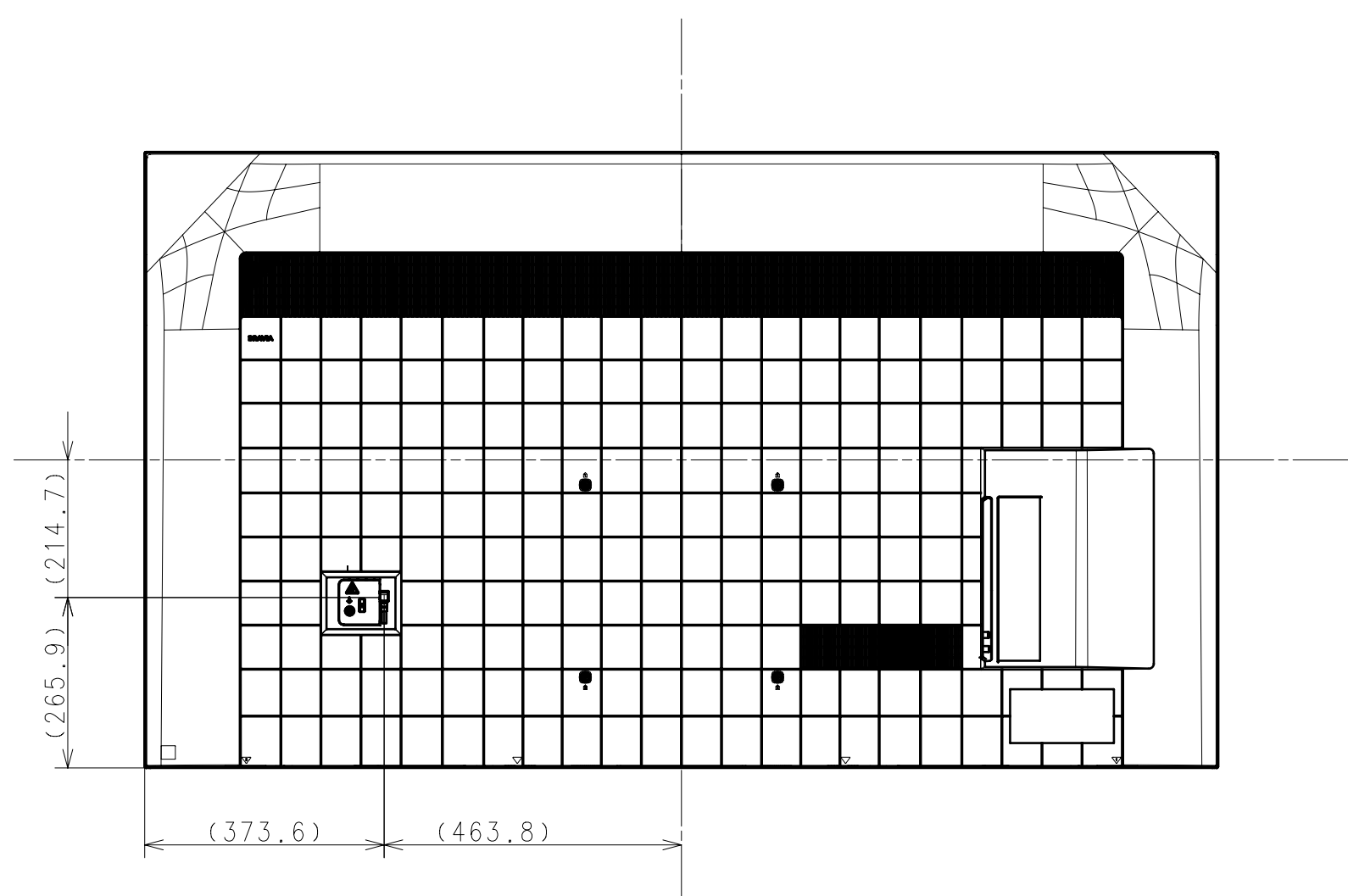


DESCRIPTION 1	LEGAL OWNER	SCALE
75 (X85J) EXTERIOR VIEW	Sony Corporation	1:1
DESCRIPTION 2	PART NO.	SHEET/PAGES
75 (X85J) EXTERIOR VIEW		3/ 6

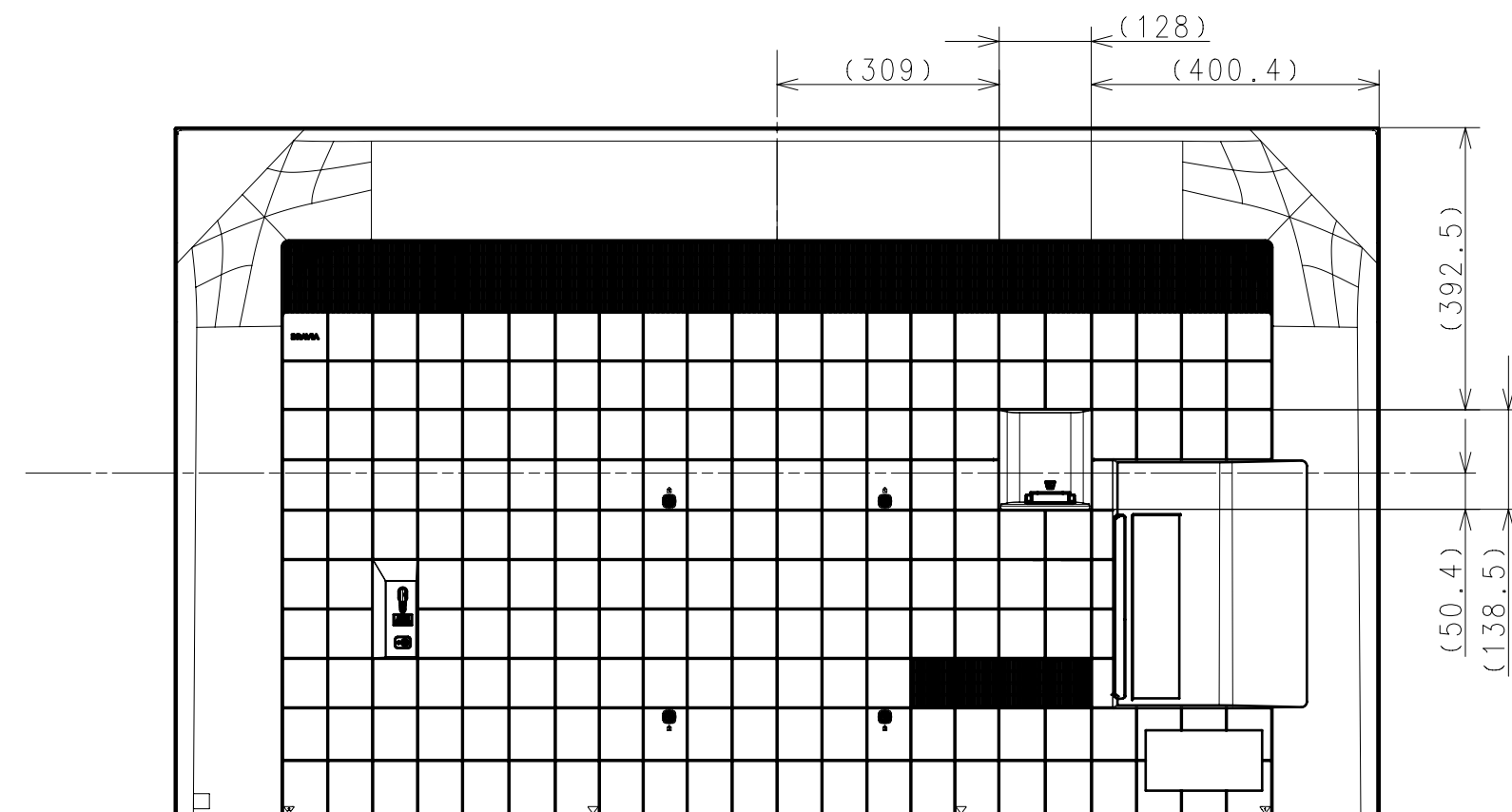
WITHOUT STAND



For. NORTH AMERICA, GENERAL AREA, CHINA



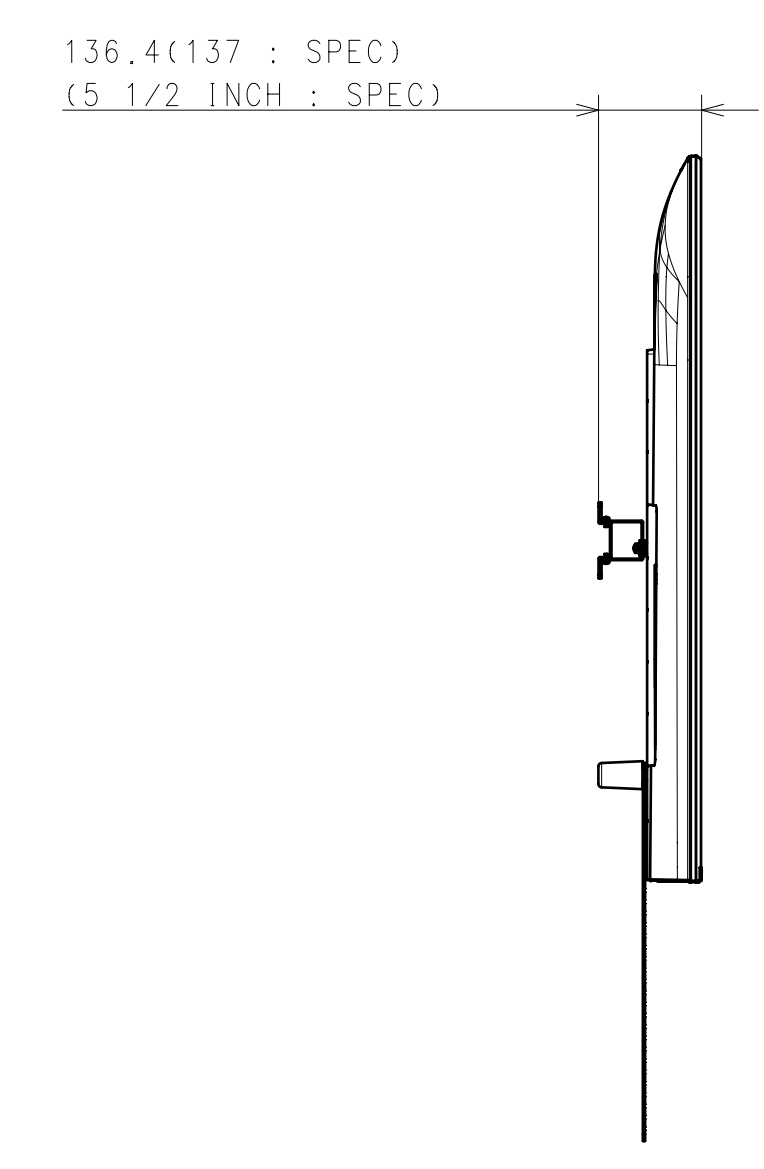
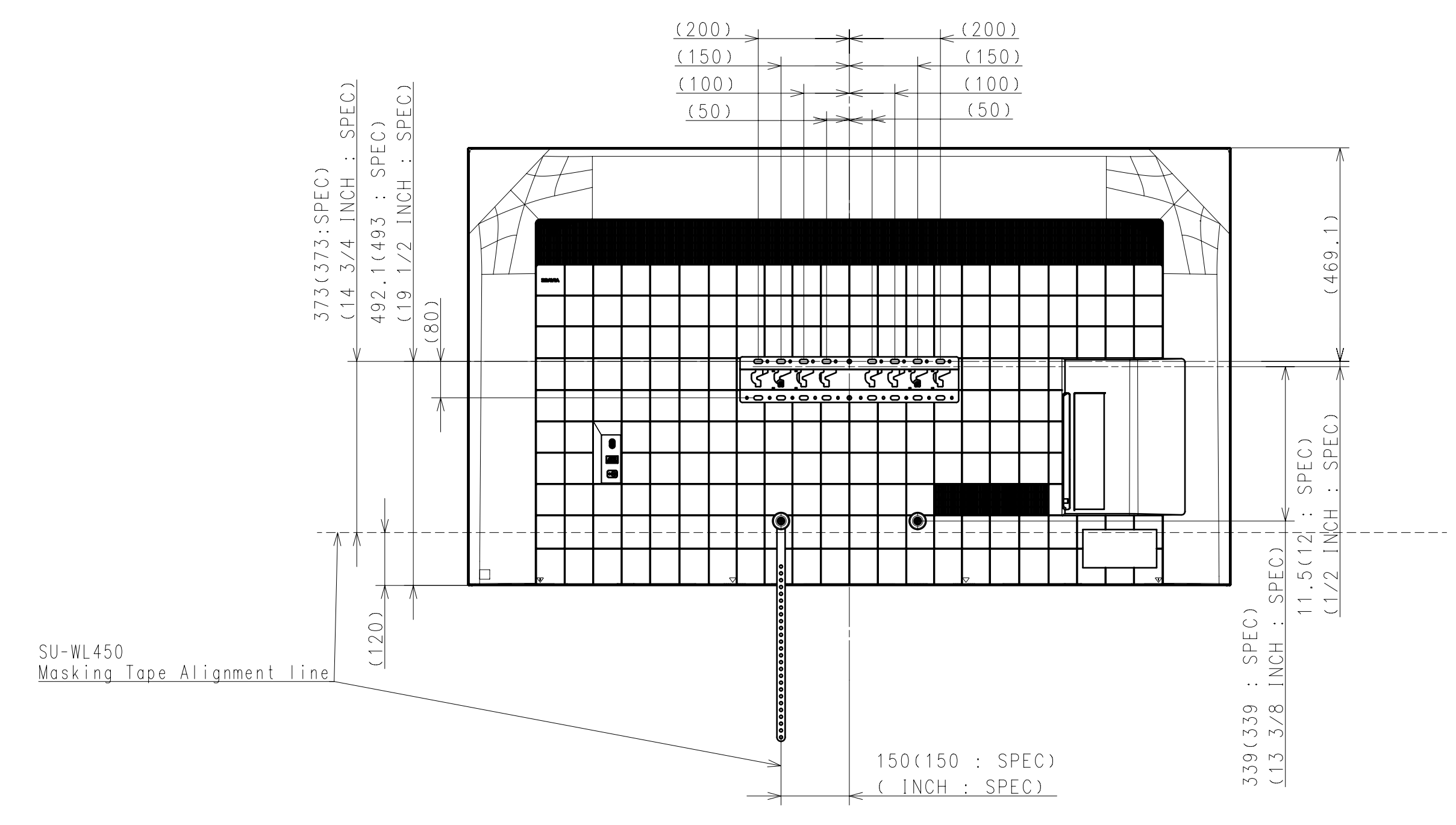
For. JAPAN, LATIN AMERICA



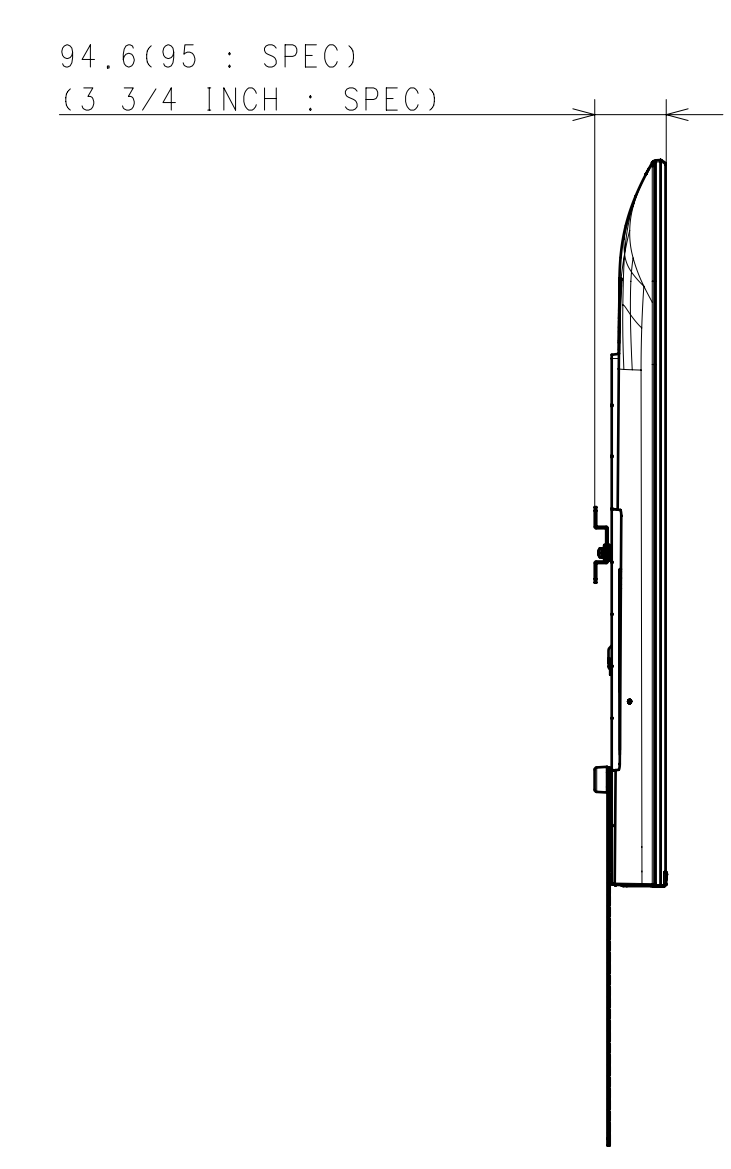
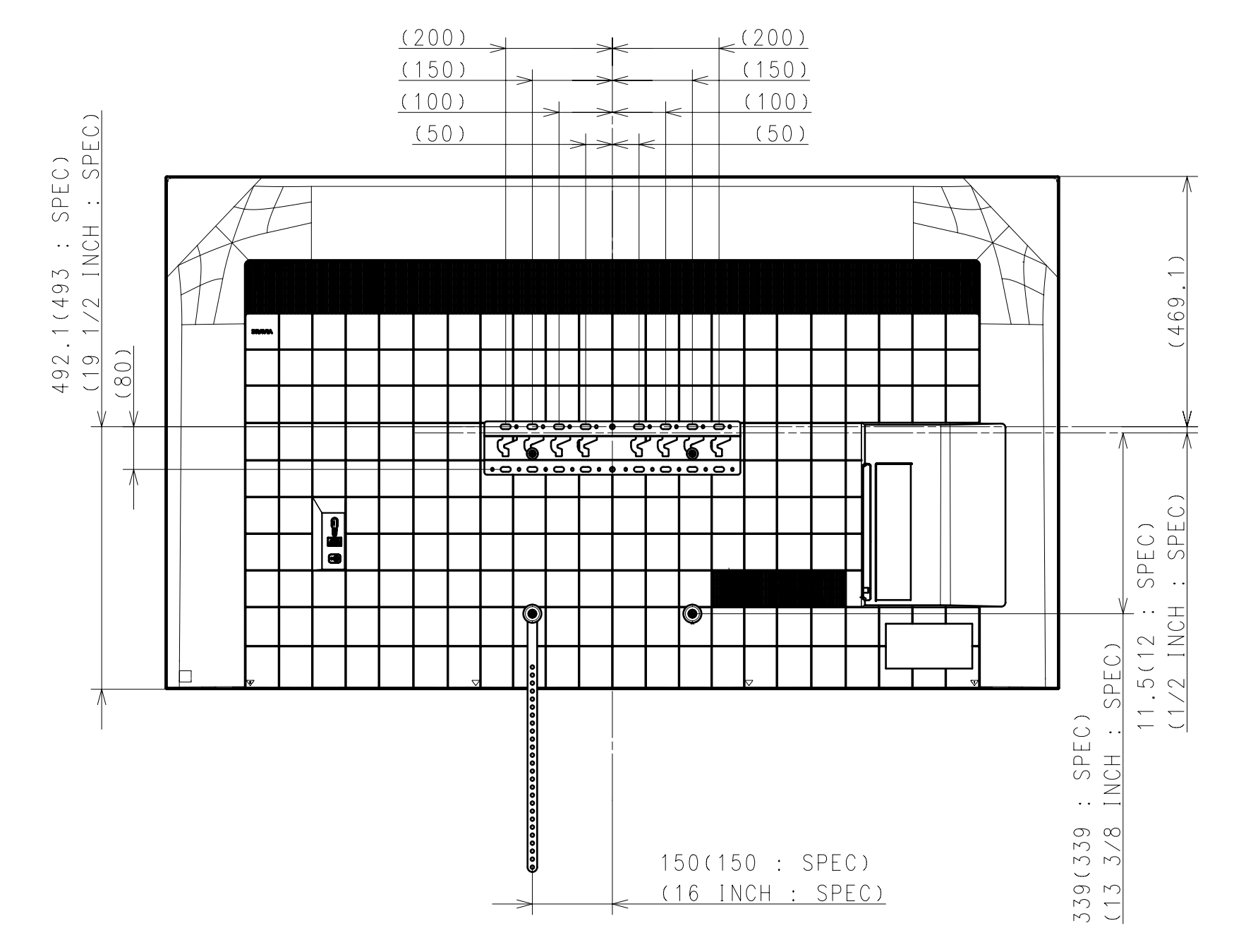
For. EUROPE

DESCRIPTION 75 (X85J) EXTERIOR VIEW	LEGAL OWNER Sony Corporation	SCALE 1:1
DESCRIPTION 75 (X85J) EXTERIOR VIEW	PART NO.	SHEET/PAGES 4 / 6

SU-WL450 STANDARD

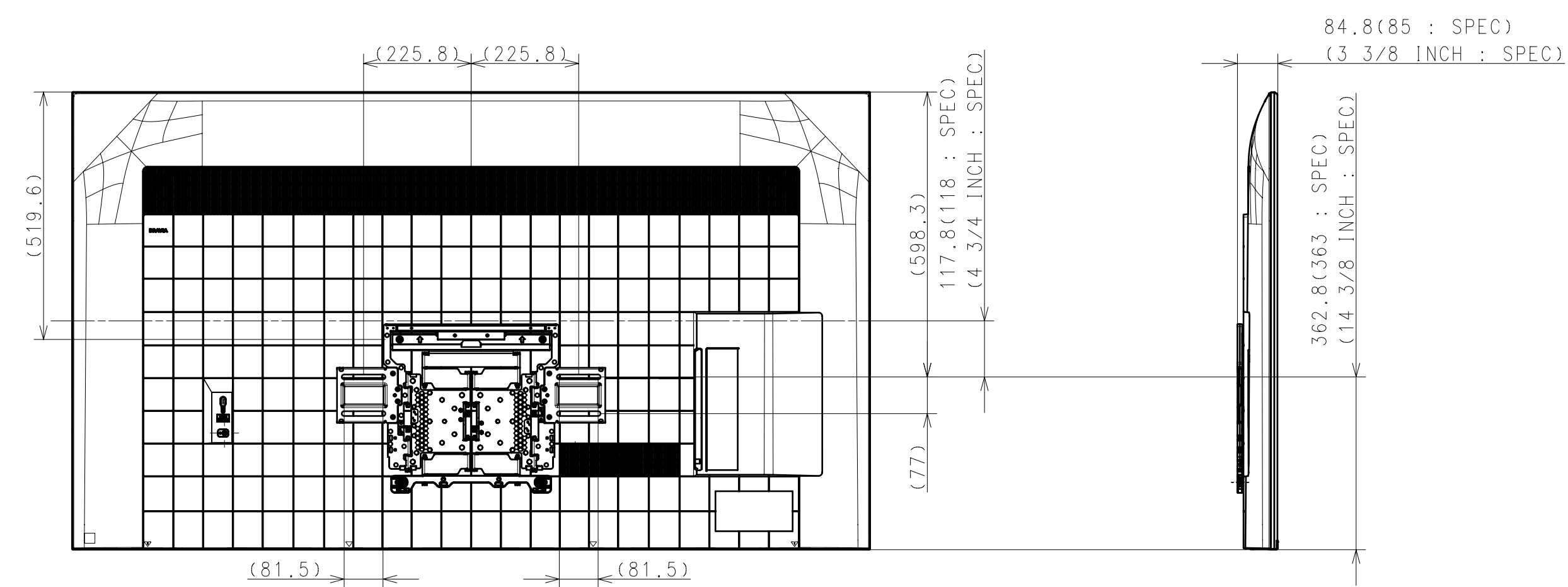
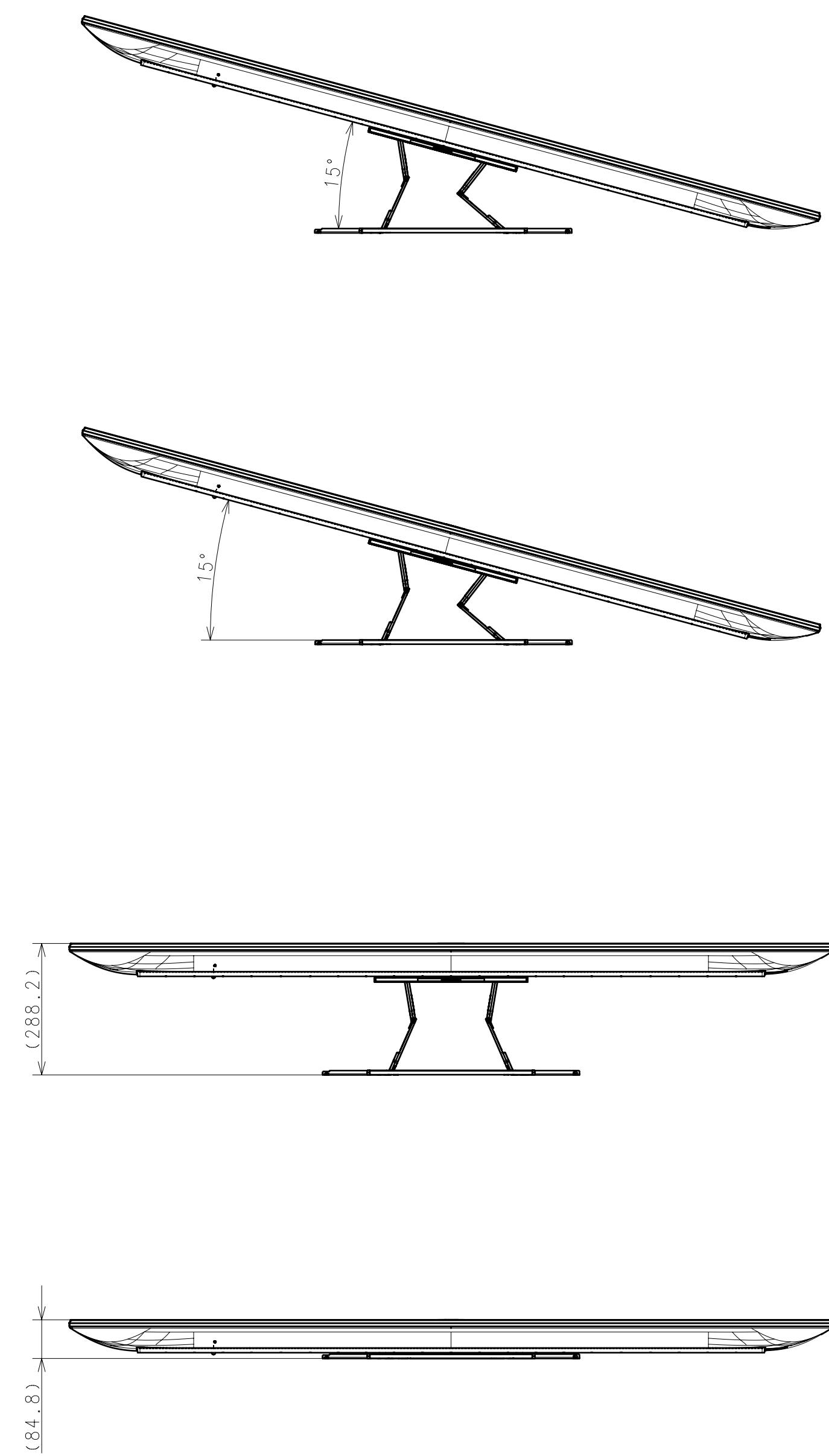


SU-WL450 SLIM

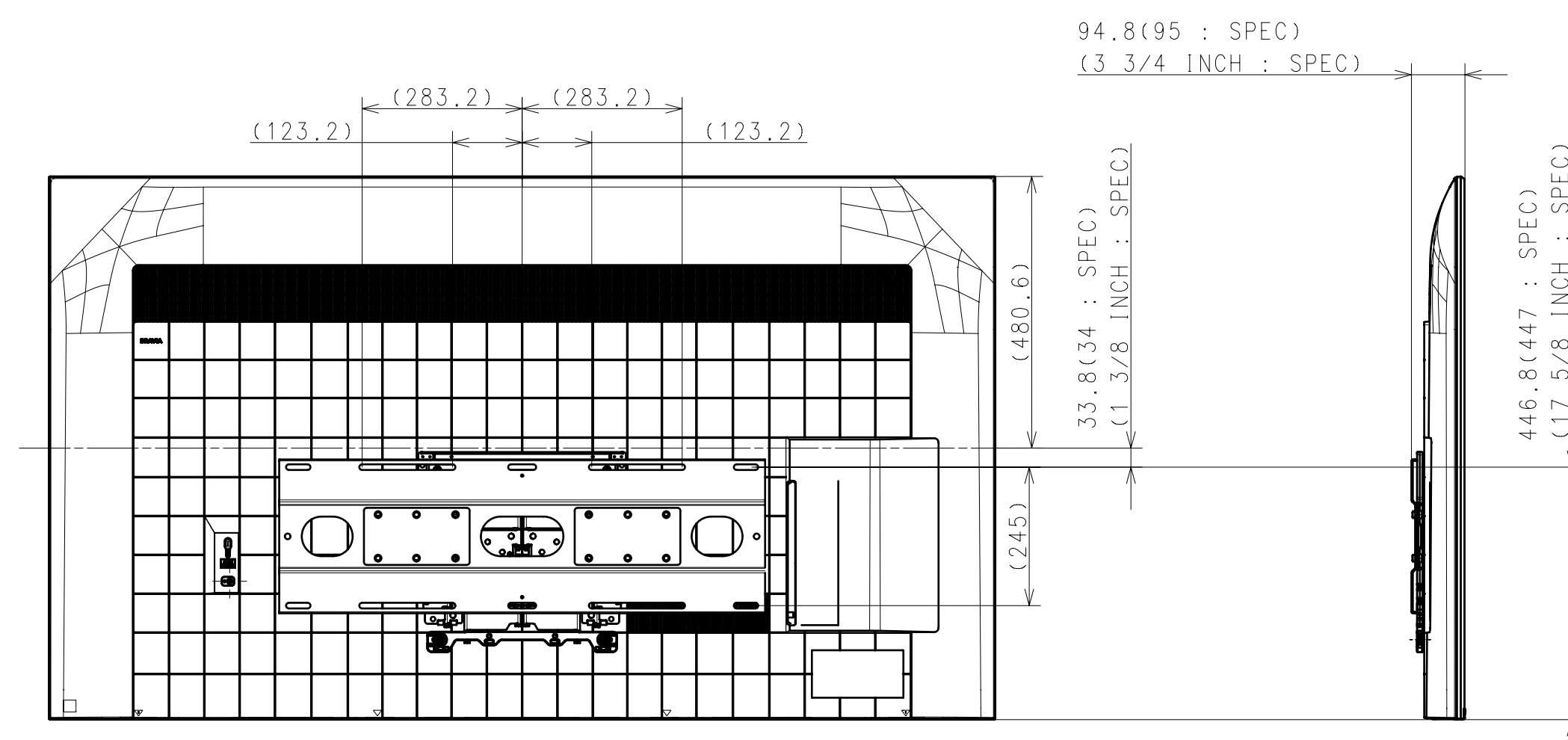
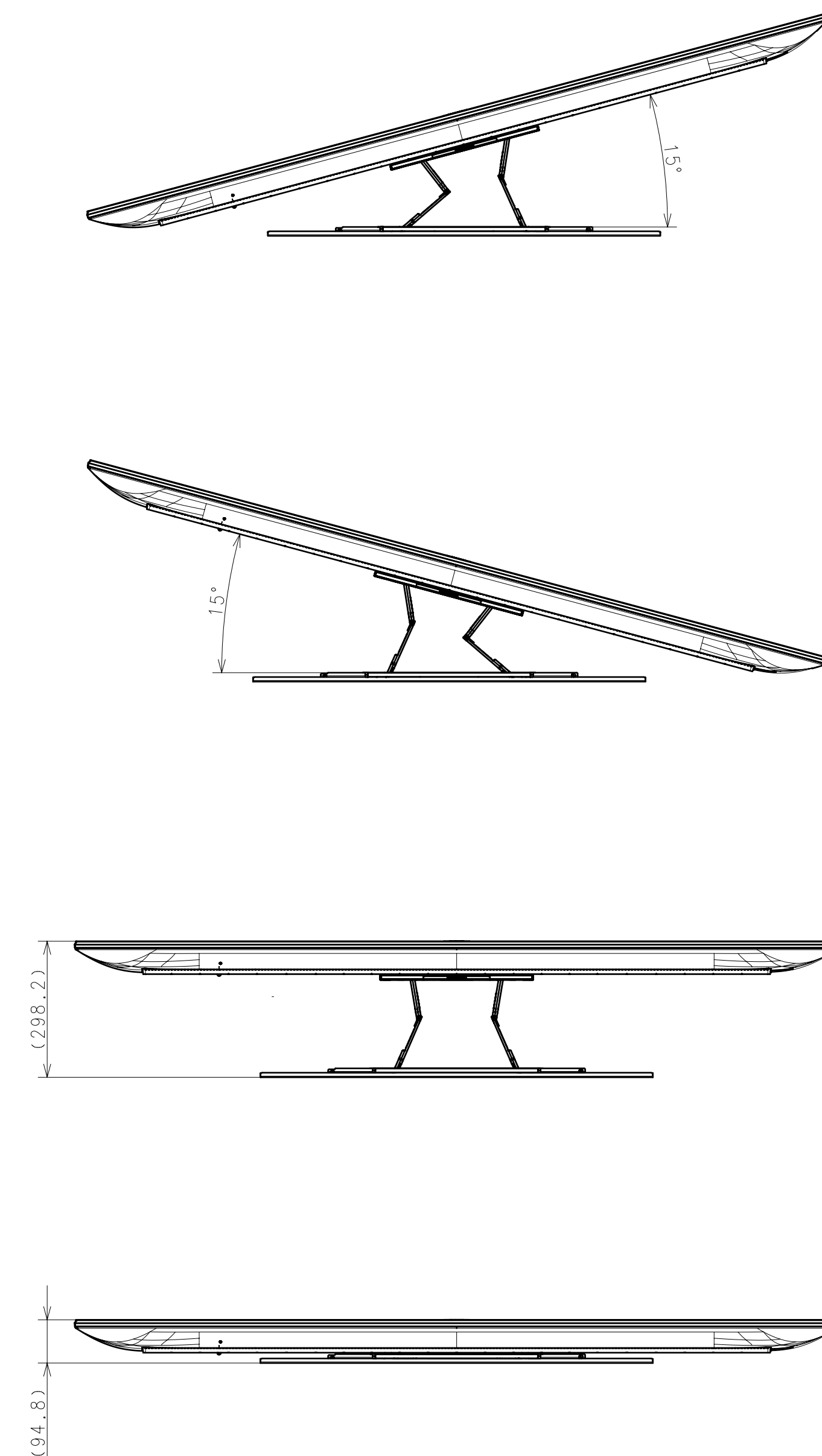


DESCRIPTION 1	LEGAL OWNER	SCALE
75 (X85J) EXTERIOR VIEW	Sony Corporation	1:1
DESCRIPTION 2	PART NO.	SHEET/PAGES
75 (X85J) EXTERIOR VIEW		5 / 6

SU-WL850



SU-WL855 WITH LATERAL SHAFT BRACKET



DESCRIPTION 1	75 (X85J) EXTERIOR VIEW	LEGAL OWNER	Sony Corporation	SCALE	1:1
DESCRIPTION 2	75 (X85J) EXTERIOR VIEW	PART NO.		SHEET/PAGES	6/6