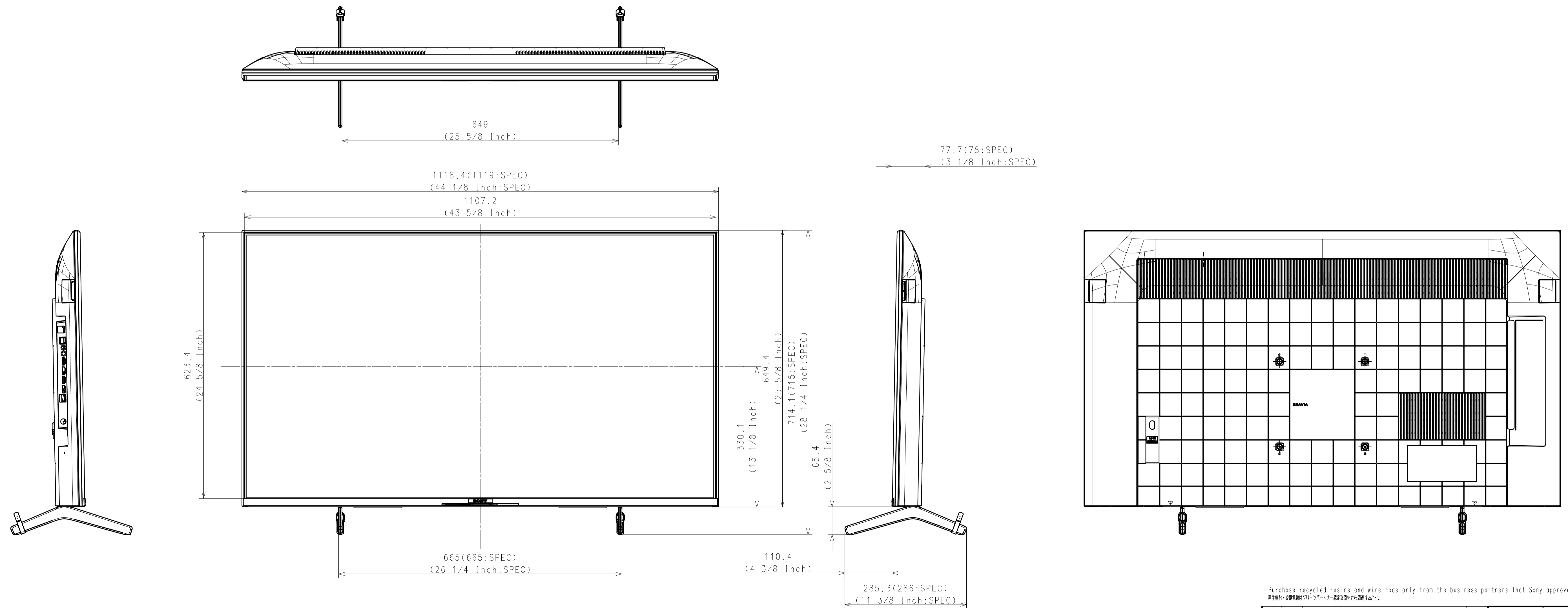


Area		JAPAN	NORTH AMERICA	EUROPE	EUROPE DERIVATIVE 1	EUROPE DERIVATIVE 2	GENERAL AREA
Model Name		XRJ-50X90J	XR-50X90J	XR-50X90J	XR-50X92J	XR-50X94J	XR-50X90J
SV No.		SV-39371	SV-39177	SV-39334	SV-39335	SV-39336	SV-39226
DIMENSION	TV only (W x H x D)	111.9 x 64.9 x 6.9 cm	111.9 x 64.9 x 6.9 mm / 44 1/8 x 25 5/8 x 2 3/4 inch	Approx. 111.9 x 64.9 x 6.9 cm	Approx. 111.9 x 64.9 x 6.9 cm	Approx. 111.9 x 64.9 x 6.9 cm	Approx. 111.9 x 64.9 x 6.9 mm
	TV with Stand (Standard position) (W x H x D)	111.9 x 71.3 x 29.6 cm	111.9 x 71.3 x 29.6 mm / 44 1/8 x 28 1/4 x 11 3/8 inch	Approx. 111.9 x 71.5 x 28.6 cm	Approx. 111.9 x 71.5 x 30.0 cm	Approx. 111.9 x 71.3 x 29.6 cm	Approx. 111.9 x 71.5 x 28.6 mm
	TV with Stand (Narrow position) (W x H x D)	-	-	-	-	-	-
	TV with Stand (Soundbar position) (W x H x D)	-	-	-	-	-	-
	TV with Floor Stand (W x H x D)	-	-	-	-	-	-
	Stand Width (Standard position)	111.7 cm	665 mm / 26 1/4 inch	Approx. 66.5 cm	Approx. 63.1 cm	Approx. 111.7 cm	Approx. 66.5 mm
	Stand Width (Narrow position)	-	-	-	-	-	-
	Stand Width (Soundbar position)	-	-	-	-	-	-
	Floor Stand Width	-	-	-	-	-	-
WEIGHT	VESA Hole Pitch	20.0 x 20.0 cm	200 x 200 mm / 7 7/8 x 7 7/8 inch	20.0 x 20.0 cm	20.0 x 20.0 cm	20.0 x 20.0 cm	200 x 200 mm
	TV Only	13.5 kg	13.5 kg / 29.8 lb	Approx. 13.5 kg	Approx. 13.5 kg	Approx. 13.5 kg	Approx. 13.5 kg
	TV with Stand (Standard position)	14.7 kg	14.1 kg / 31.1 lb	Approx. 14.1 kg	Approx. 17.1 kg	Approx. 14.7 kg	Approx. 14.1 kg
	TV with Stand (Narrow position)	-	-	-	-	-	-
	TV with Stand (Soundbar position)	-	-	-	-	-	-
	TV with Floor Stand	-	-	-	-	-	-
Remarks	Floor Stand weight (Supply)	-	-	-	-	-	-
	W-M't Br. Weight (Supply)	-	-	-	-	-	-
		PREMIUM EDGE STAND			CENTER STAND	PREMIUM EDGE STAND	

WITH STAND

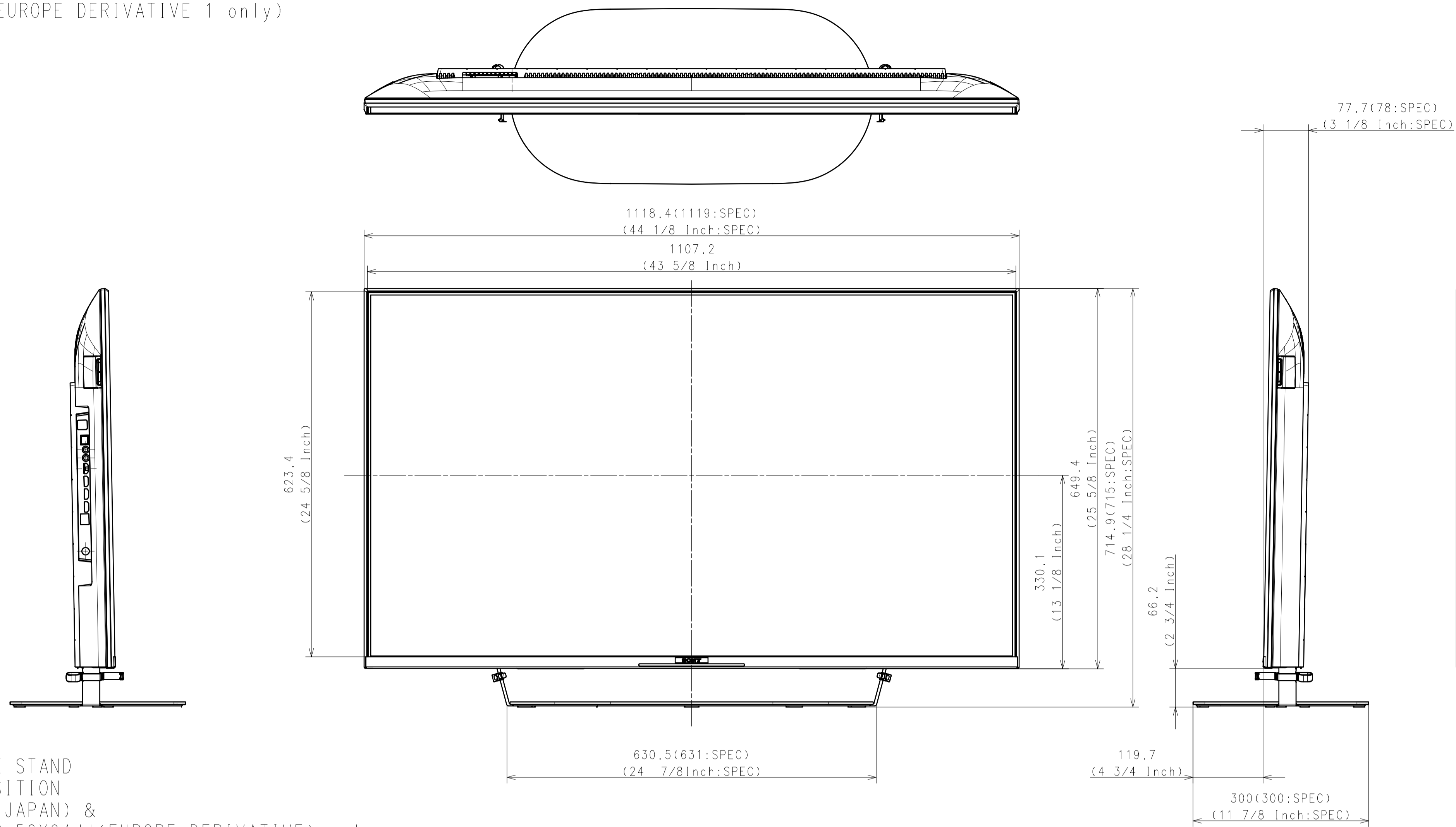
MAIN STAND  
STANDARD POSITION  
Except XRJ-50X90J (JAPAN) &  
XR-50X92J, XR-50X93J, XR-50X94J (EUROPE DERIVATIVE)



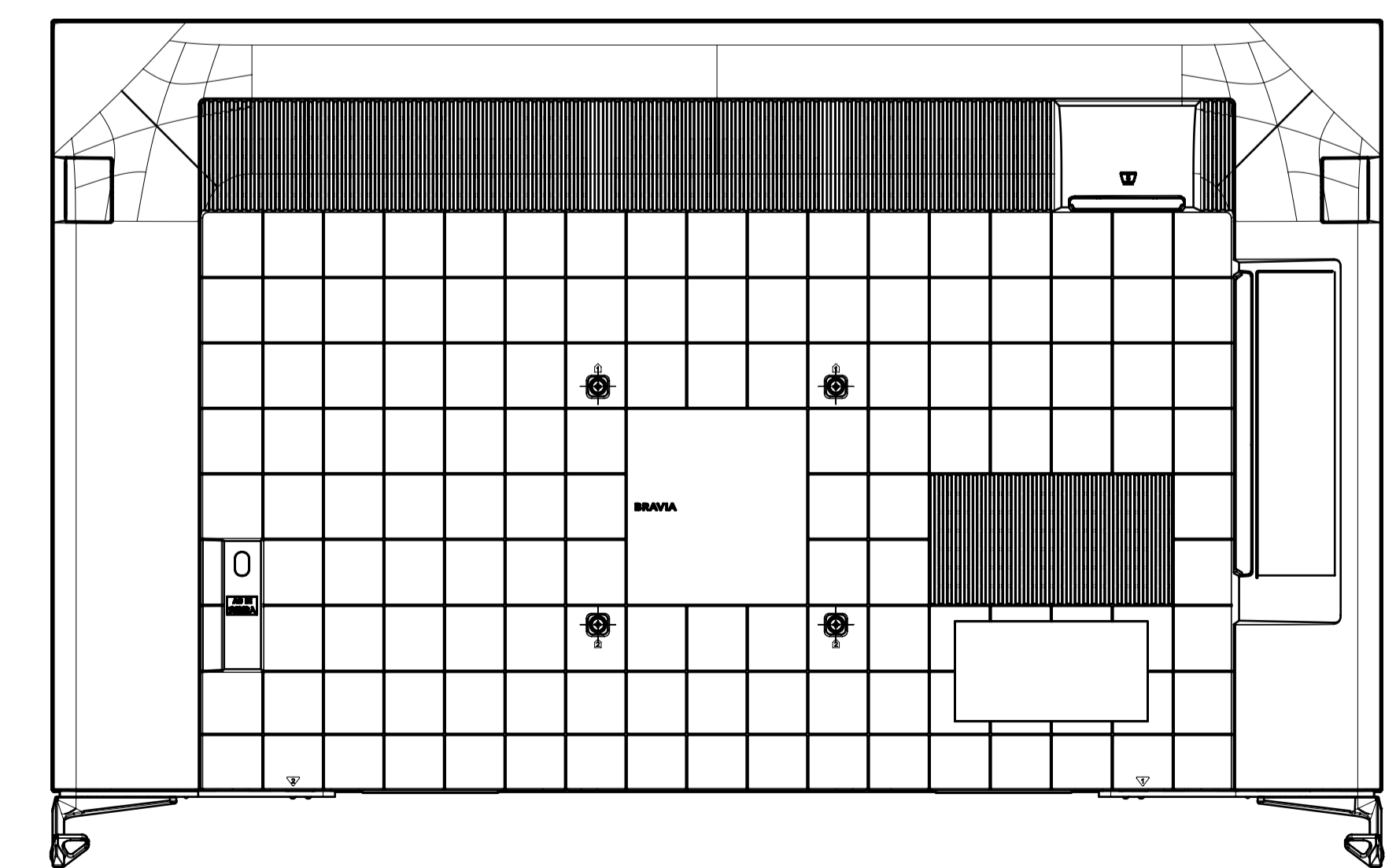
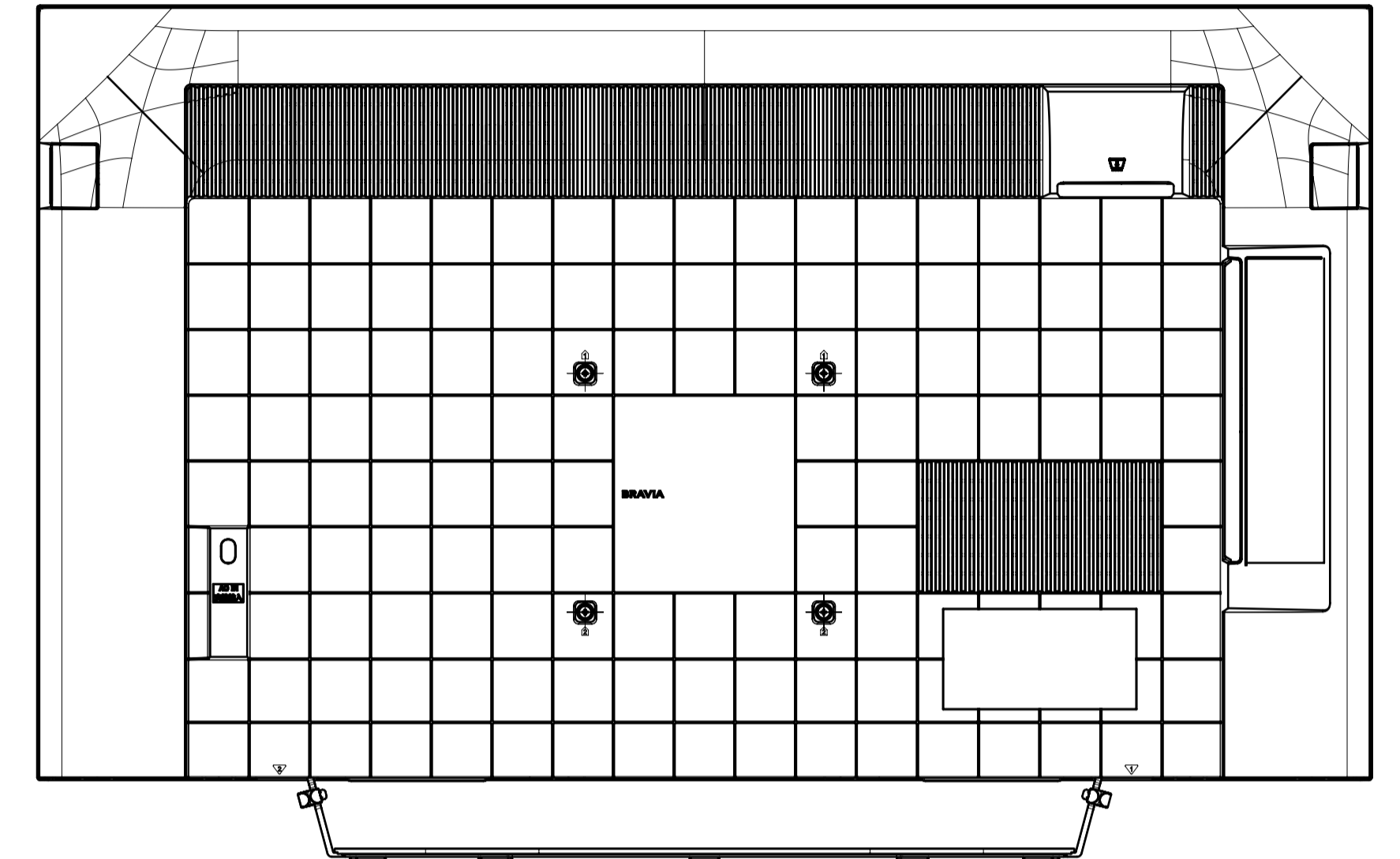
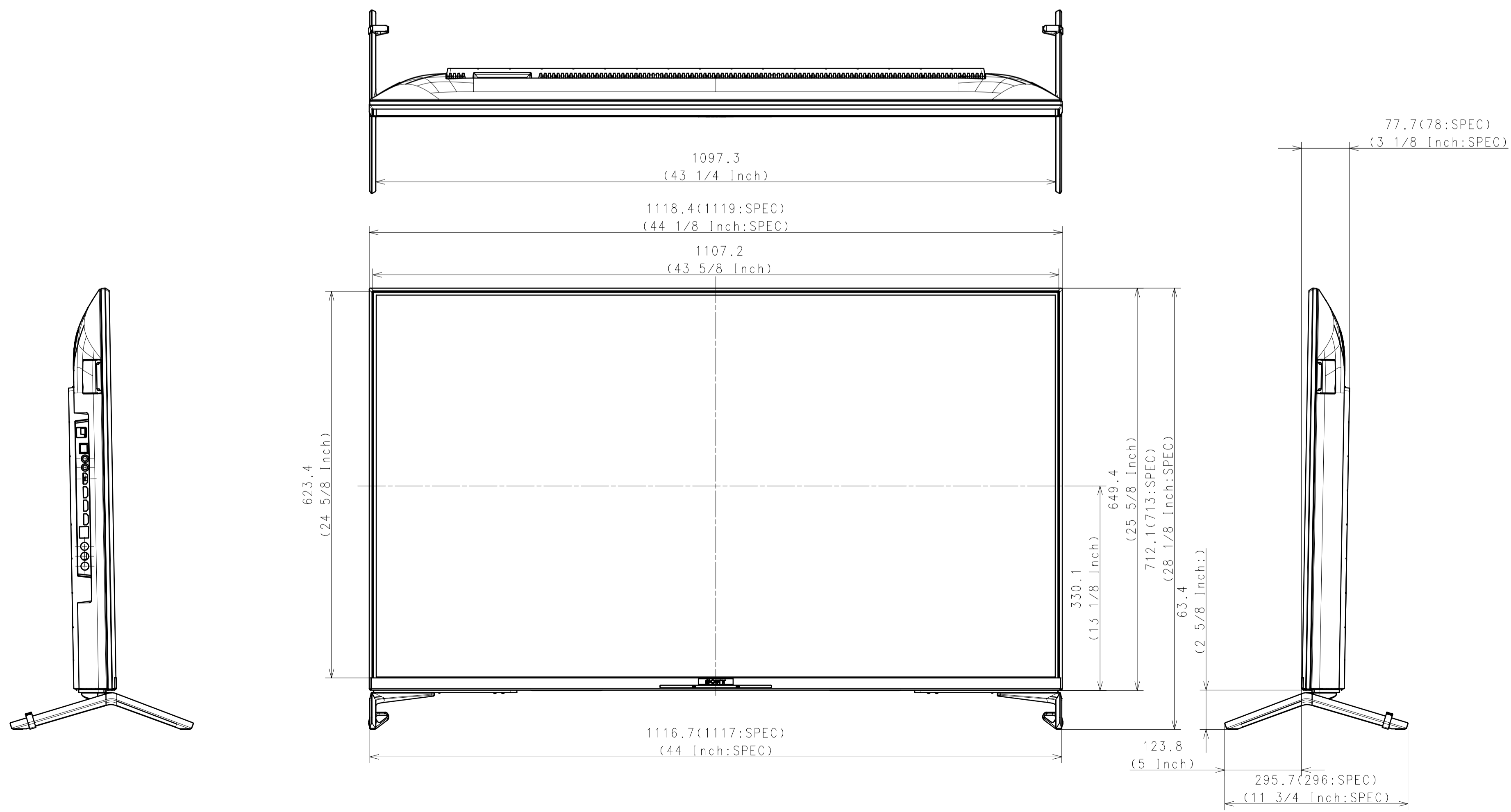
Purchase recycled resins and wire rods only from the business partners that Sony approves as Green Partners.  
再生樹脂・電線鋼線はグリーンパートナー 協賛品から調達すること。

HISTORY V. COUNT SUFFIX AREA NO. REV. DATE		RELEASE NO. DATE		REVISION		SIGN.		GENERAL TOLERANCE		DATE OF ISSUE 2020.11.03 DOCUMENT TYPE ASSEMBLY DRAWING TOLERANCE (DIM & DECIMAL POINTS)	
RESPONSIBLE DEPARTMENT PLANNED BY 2020.11.03 KING DSS-MECHA		CHECKED BY 2020.11.03 KING DSS-MECHA		APPROVED BY 2020.11.03 KING DSS-MECHA		SCALE 1:5		TENTATIVE MODEL 50(X90J) EXTERIOR VIEW		ORIGINAL MODEL 50(X90J) EXTERIOR VIEW	
DRAWN BY 2020.11.03 KING DSS-MECHA		SIZE A1		UNIT mm		PART NO.		SUFFIX		REV. NO. 1/4	

CENTER STAND  
STANDARD POSITION  
XR-50X92J(EUROPE DERIVATIVE 1 only)

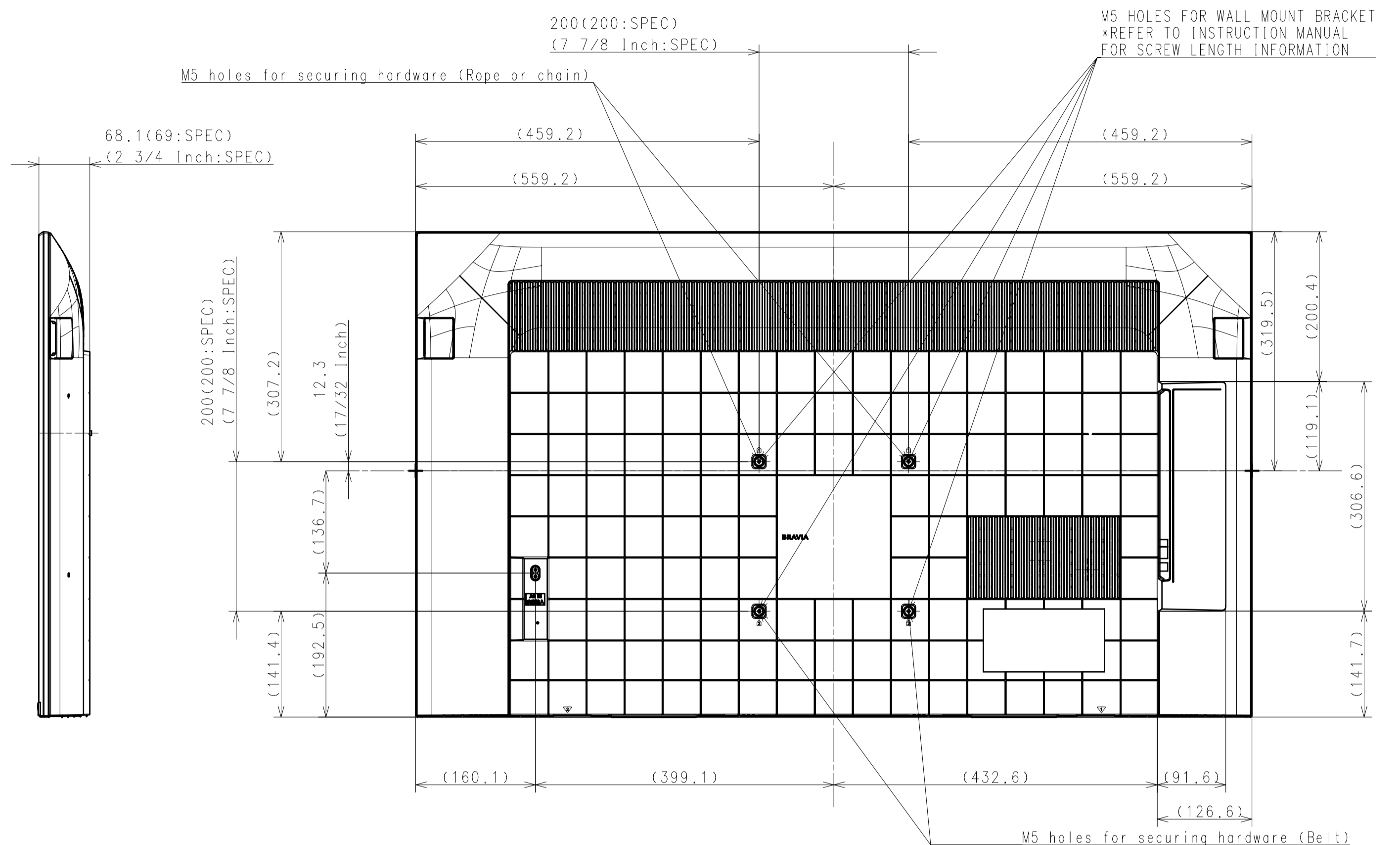
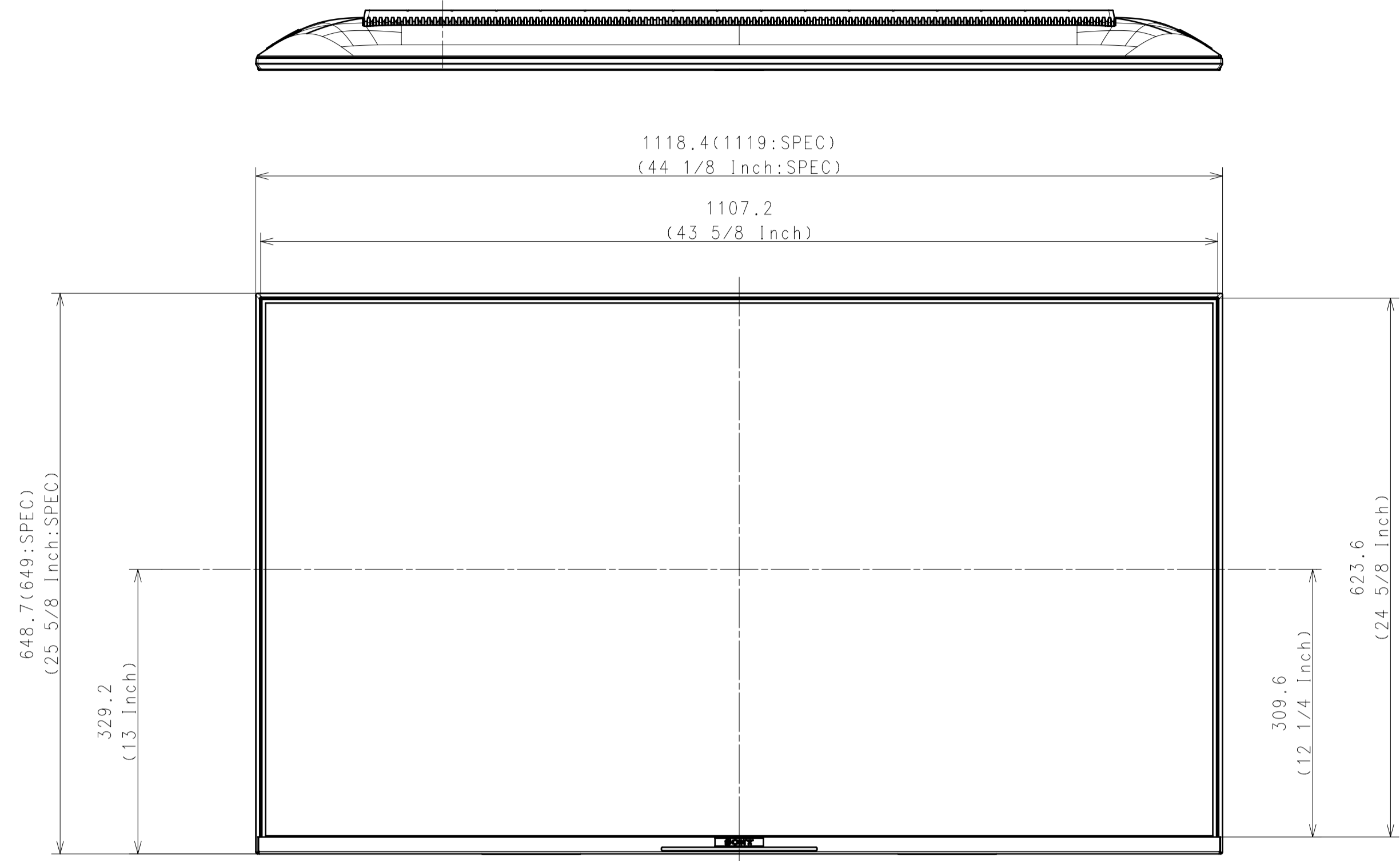


PREMIUM EDGE STAND  
STANDARD POSITION  
XRJ-50X90J (JAPAN) &  
XR-50X93, XR-50X94JJ(EUROPE DERIVATIVE) only

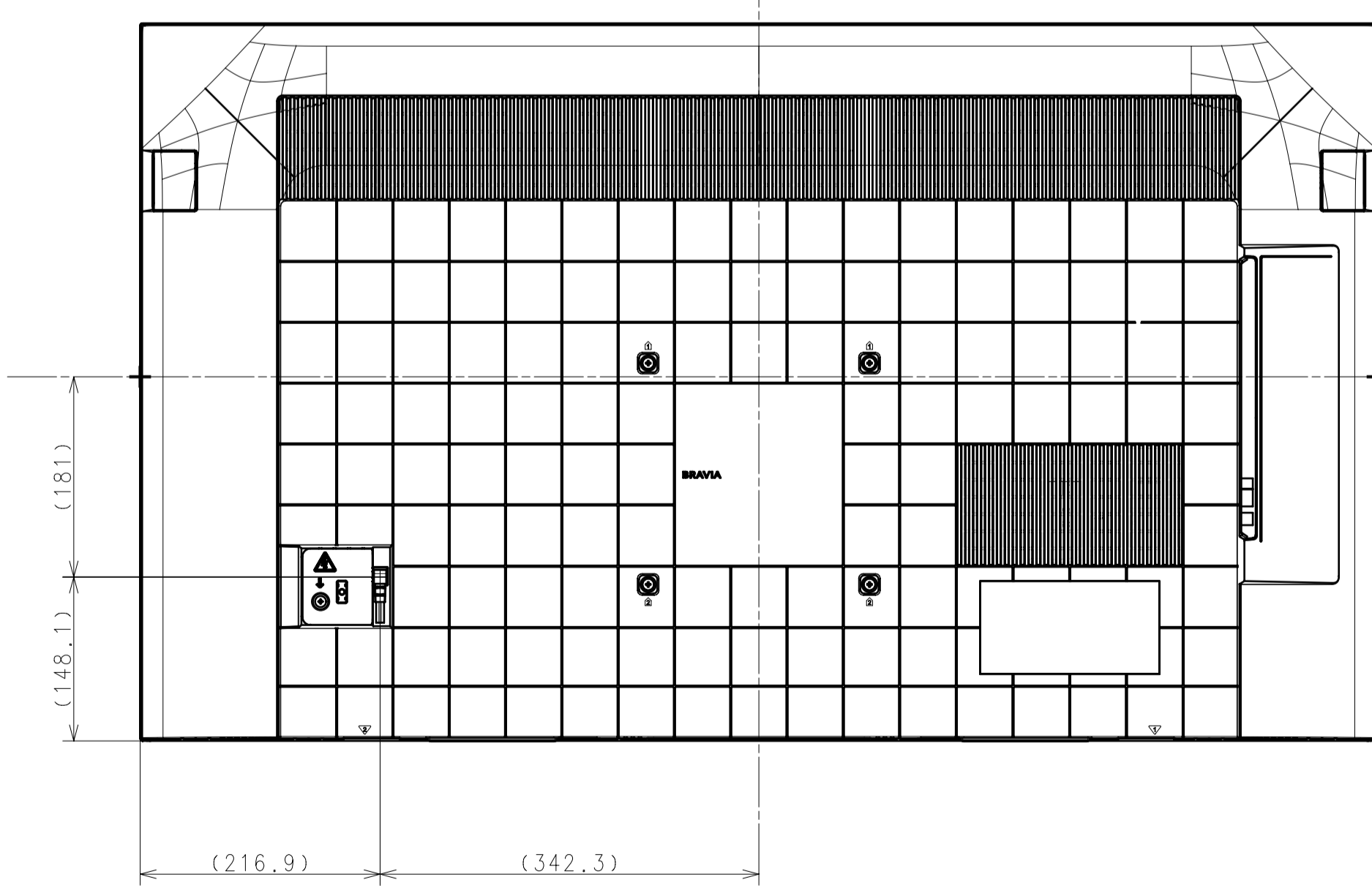


DESCRIPTION1 50(X90J) EXTERIOR VIEW	LEGAL OWNER Sony Corporation	SCALE 1:5
DESCRIPTION2 50(X90J) EXTERIOR VIEW	PART NO.	SHEET/PAGES 2 / 4

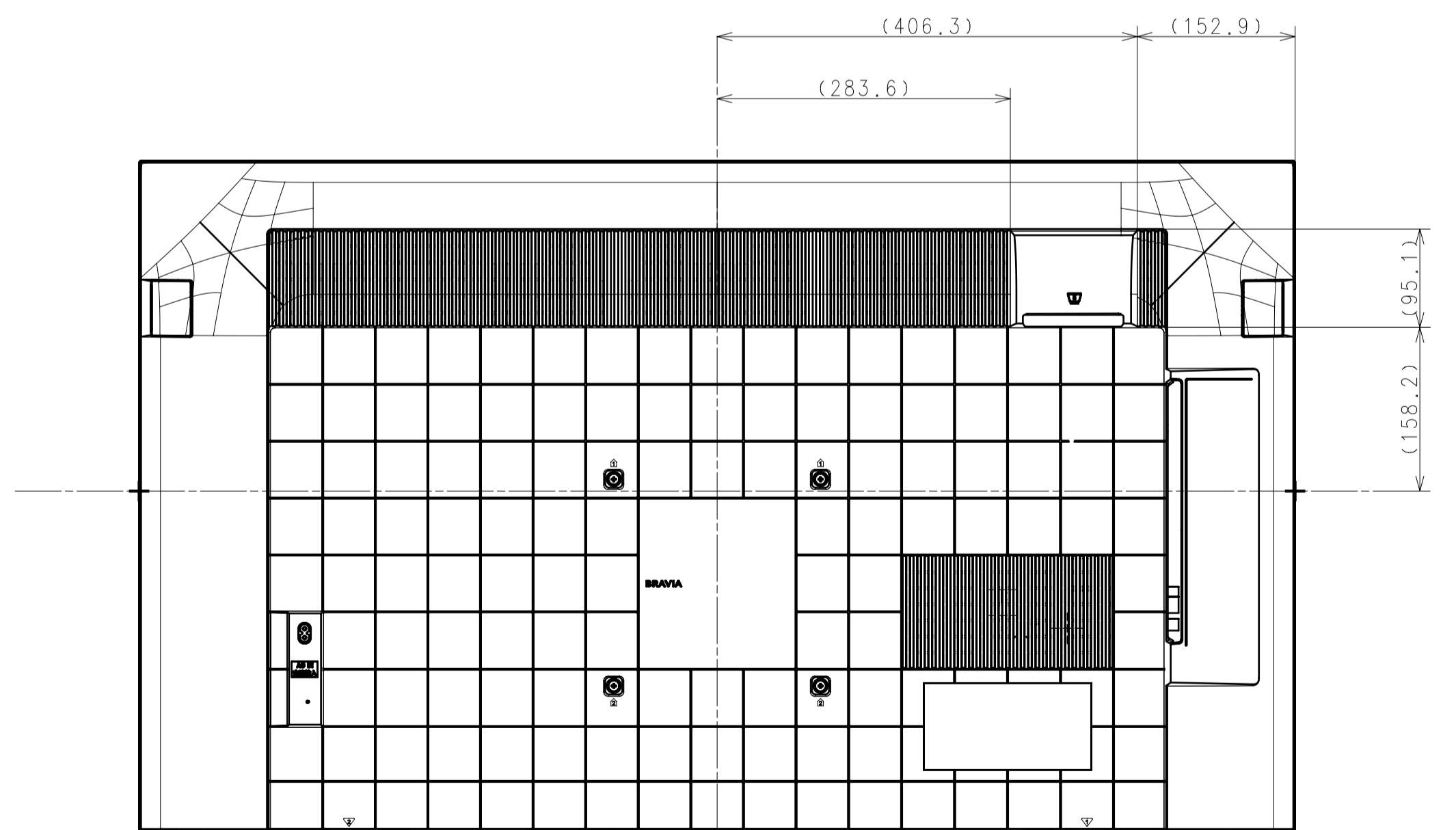
WITHOUT STAND



For GENERAL AREA, NORTH AMERICA



For JAPAN



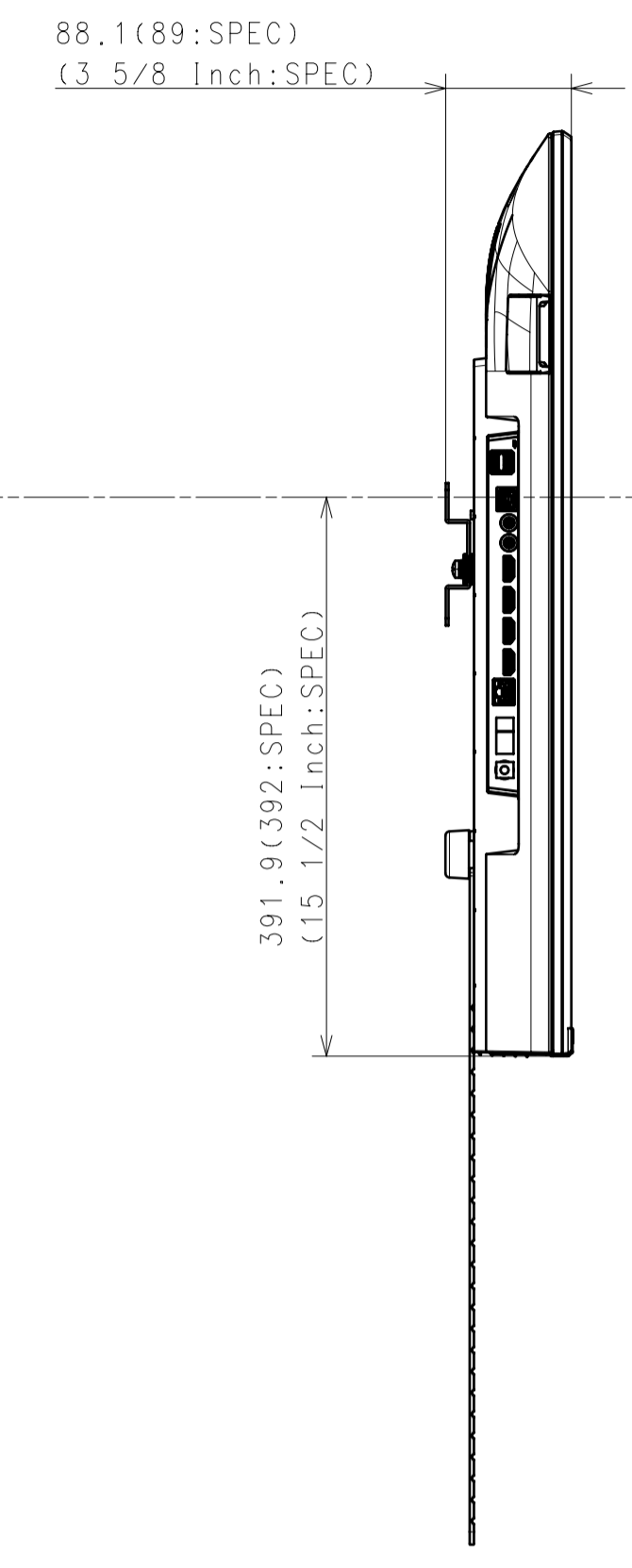
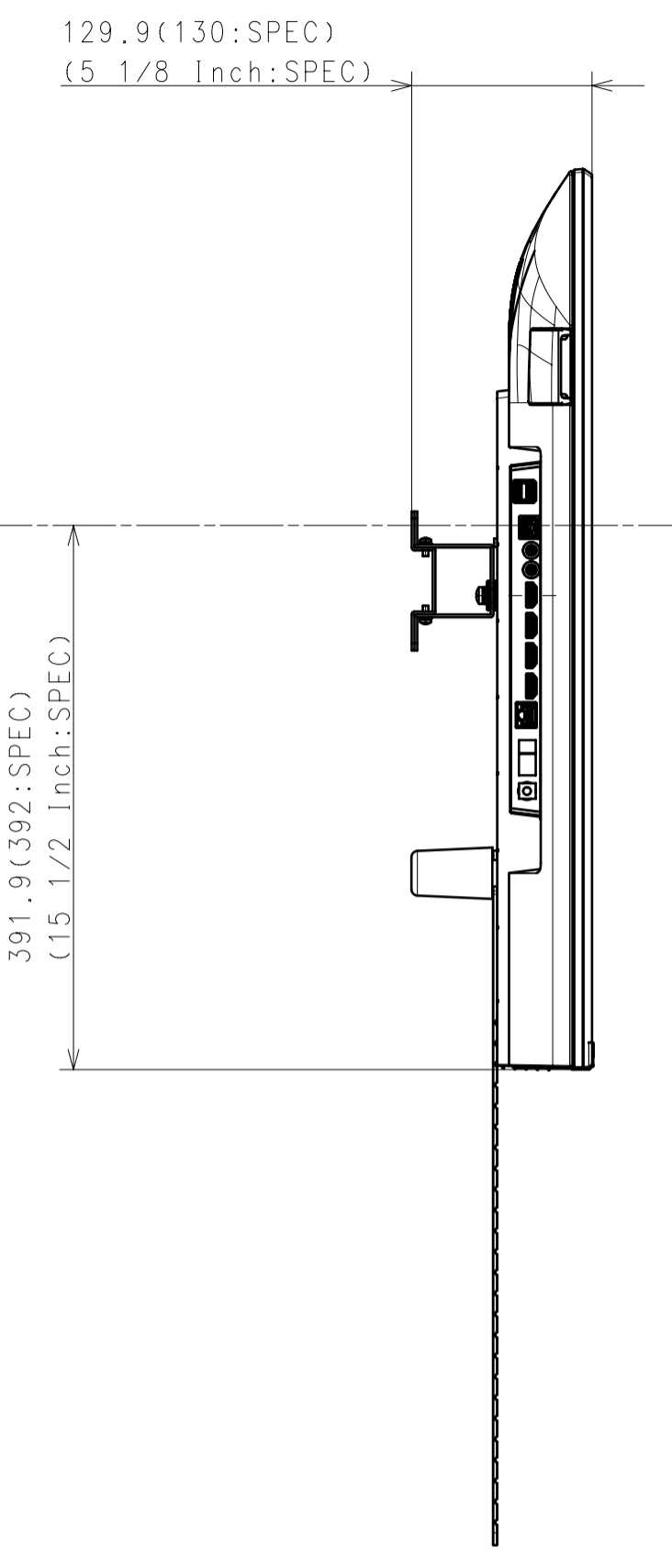
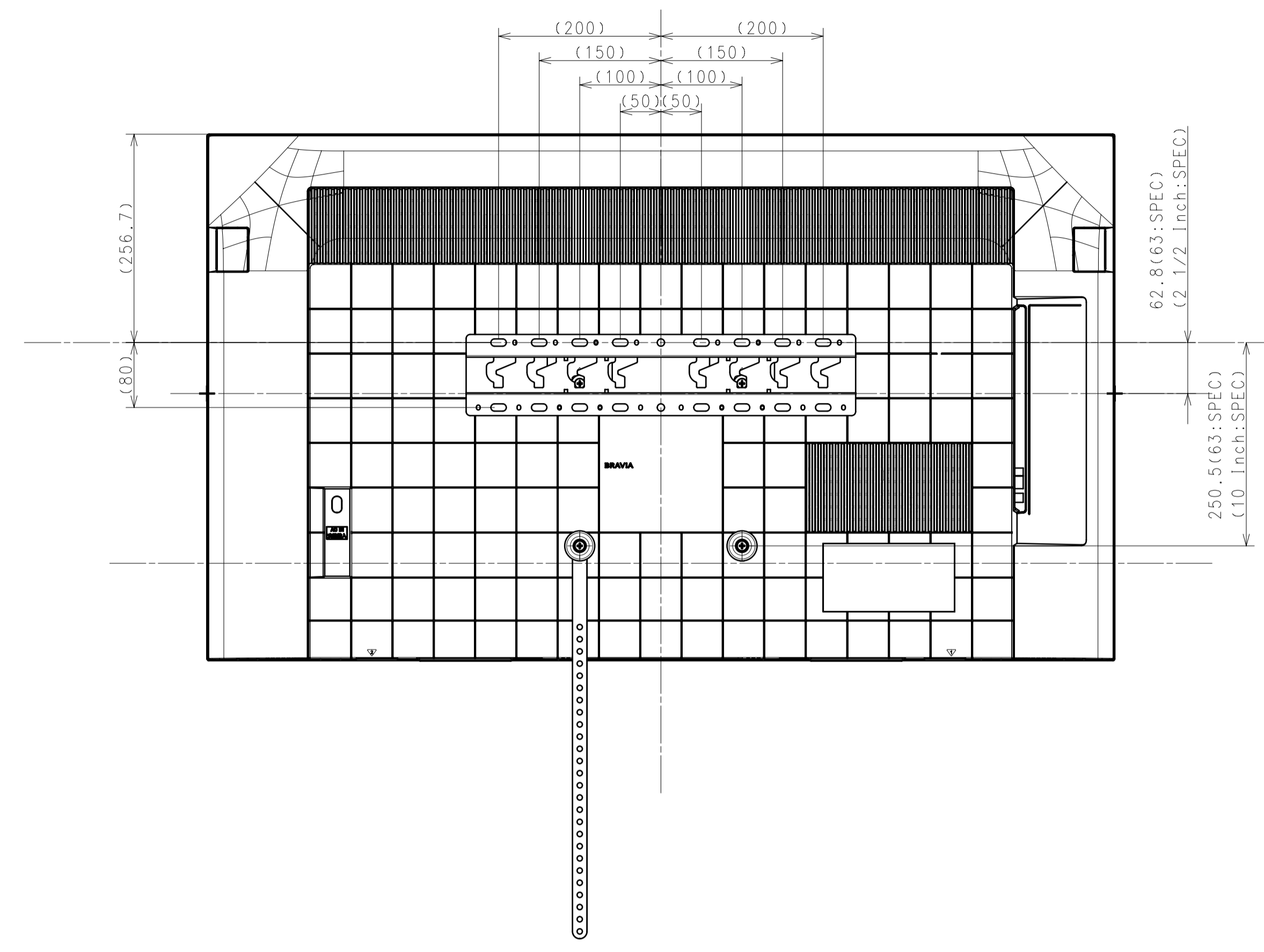
For EUROPE

DESCRIPTIONS 50(X90J) EXTERIOR VIEW	LEGAL OWNER Sony Corporation	SCALE 1:5
DESCRIPTIONS 50(X90J) EXTERIOR VIEW	PART NO.	SHEET/PAGES 3 / 4

SU-WL450

STANDARD

SLIM



SHARING

SONY STANDARD

DESCRIPTION 1	LEGAL OWNER	SCALE
50(X90J) EXTERIOR VIEW	Sony Corporation	1:5
DESCRIPTION 2	PART NO.	SHEET/PAGES
50(X90J) EXTERIOR VIEW		4 / 4