

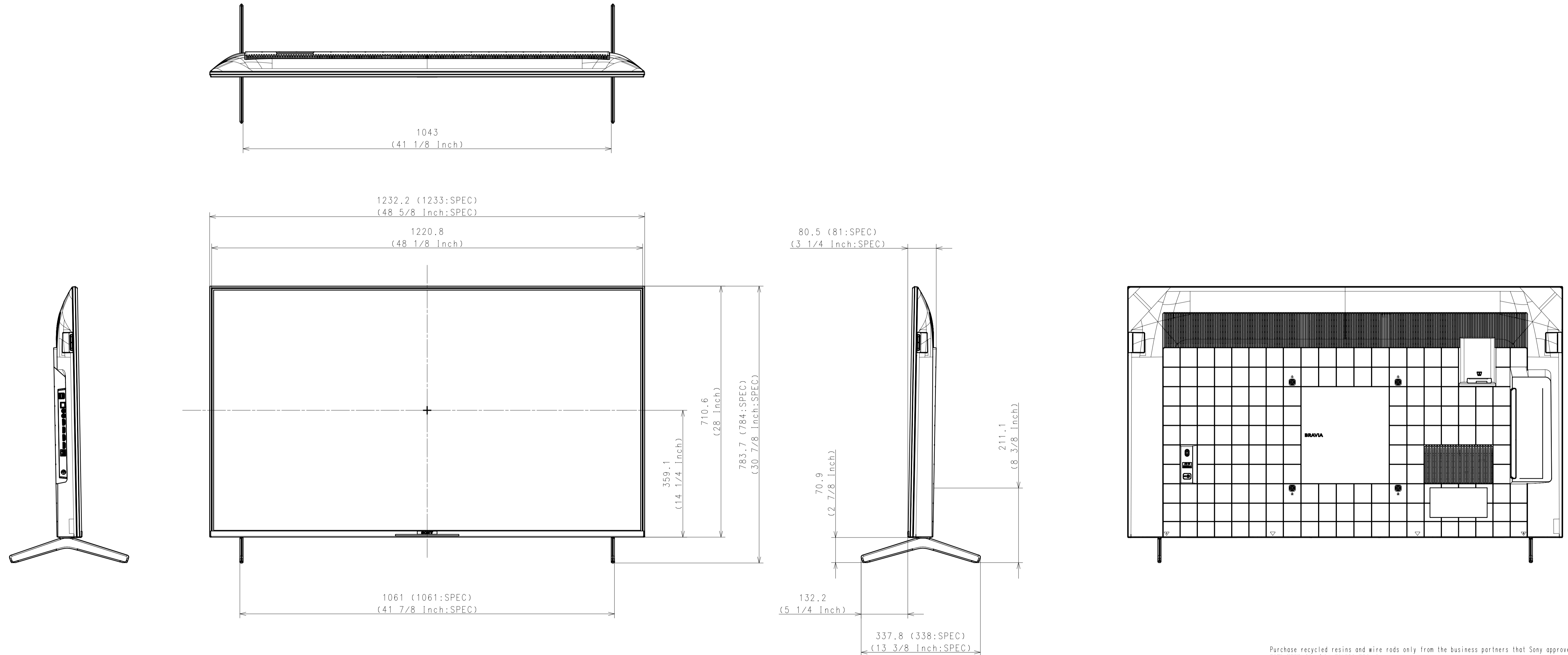
AR55 EXTERIOR VIEW DRAWING

Updated : 2020.12.03

AREA		JAPAN	NORTH AMERICA	LATIN AMERICA	EUROPE	EUROPE 2	EUROPE DERIVATIVE 1	EUROPE DERIVATIVE 2	GENERAL AREA	CHINA
MODEL NAME		XRJ-55X90J	XR-55X90J	XR-55X90J	XR-55X90J	XR-55X90J	XR-55X92J	XR-55X94J	XR-55X90J	XR-55X90J
SV NO.		SV-39370	SV-39175	SV-39196	SV-39329	SV-39328	SV-39330	SV-39331	SV-39225	SV-39303
DIMENSION	TV only (W x H x D)	123.3 x 71.1 x 7.1 cm	1233 x 711 x 71 mm / 48 5/8 x 28 x 2 7/8 inch	1233 x 711 x 71 mm	Approx. 123.3 x 71.1 x 7.1 cm	Approx. 123.3 x 71.1 x 7.1 cm	Approx. 123.3 x 71.1 x 7.1 cm	Approx. 123.3 x 71.1 x 7.1 cm	Approx. 123.3 x 71.1 x 7.1 cm	Approx. 123.3 x 71.1 x 7.1 cm
	TV with Stand (Standard position) (W x H x D)	123.3 x 78.3 x 32.4 cm	1233 x 784 x 338 mm / 48 5/8 x 30 7/8 x 13 3/8 inch	1233 x 784 x 338 mm	Approx. 123.3 x 78.4 x 33.8 cm	Approx. 123.3 x 78.4 x 33.8 cm	Approx. 123.3 x 78.7 x 32.4 cm	Approx. 123.3 x 78.3 x 32.4 cm	Approx. 123.3 x 78.4 x 338 mm	Approx. 1233 x 784 x 338 mm
	TV with Stand (Narrow position) (W x H x D)	123.3 x 78.3 x 32.4 cm	-	-	-	-	-	-	-	-
	TV with Stand (Soundbar position) (W x H x D)	-	-	-	-	-	-	-	-	-
	TV with Floor Stand (W x H x D)	-	-	-	-	-	-	-	-	-
	Stand Width (Standard position)	123.0 cm	1061 mm / 41 7/8 inch	1061 mm	Approx. 106.1 cm	Approx. 106.1 cm	Approx. 51.3 cm	Approx. 123.0 cm	Approx. 1061 mm	Approx. 1061 mm
	Stand Width (Narrow position)	82.1 cm	-	-	-	-	-	Approx. 82.1 cm	-	-
	Stand Width (Soundbar position)	-	-	-	-	-	-	-	-	-
WEIGHT	Floor Stand Width	-	-	-	-	-	-	-	-	-
	VESA Hole Pitch	30.0 x 30.0 cm	300 x 300 mm / 11 7/8 x 11 7/8 inch	300 x 300 mm	30.0 x 30.0 cm	30.0 x 30.0 cm	30.0 x 30.0 cm	30.0 x 30.0 cm	300 x 300 mm	300 x 300 mm
	TV Only	17.4 kg	17.4 kg / 38.4 lb	17.4 kg	Approx. 17.4 kg	Approx. 17.4 kg	Approx. 17.4 kg	Approx. 17.4 kg	Approx. 17.4 kg	Approx. 17.4 kg
	TV with Stand (Standard position)	18.7 kg	18.3 kg / 40.4 lb	18.3 kg	Approx. 18.3 kg	Approx. 18.3 kg	Approx. 21.3 kg	Approx. 18.7 kg	Approx. 18.3 kg	Approx. 18.3 kg
	TV with Stand (Narrow position)	18.7 kg	-	-	-	-	-	Approx. 18.7 kg	-	-
REMARKS	TV with Stand (Soundbar position)	-	-	-	-	-	-	-	-	-
	TV with Floor Stand	-	-	-	-	-	-	-	-	-
	Floor Stand weight (Supply)	-	-	-	-	-	-	-	-	-
		2 way, Premium Edge Stand			2 way		Center Stand	2 way, Premium Edge Stand		

WITH STAND

MAIN STAND (STANDARD POSITION)
Except XRJ-55X90J (Japan) &
XR-55X92J, XR-55X94J (Europe Derivative)

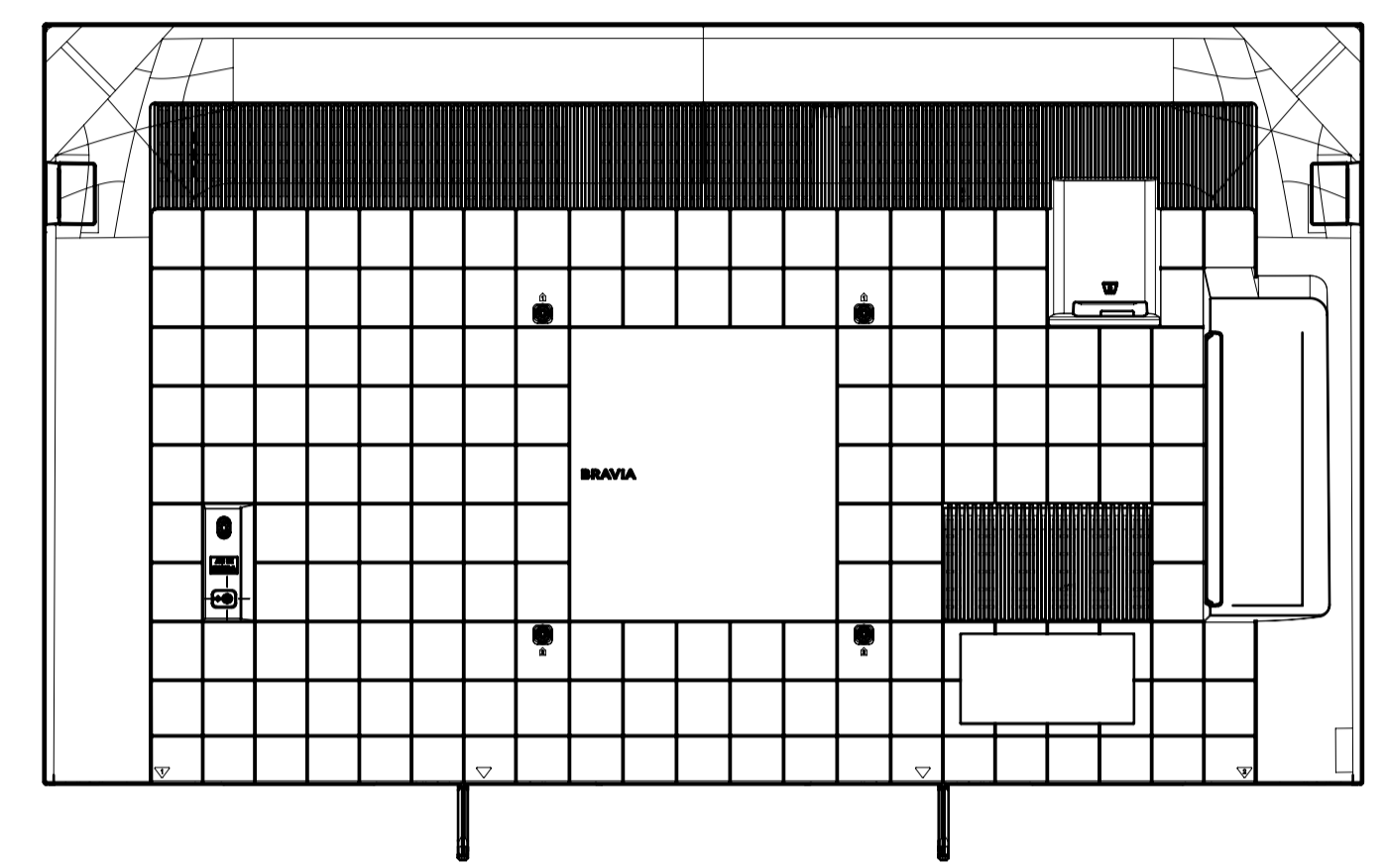
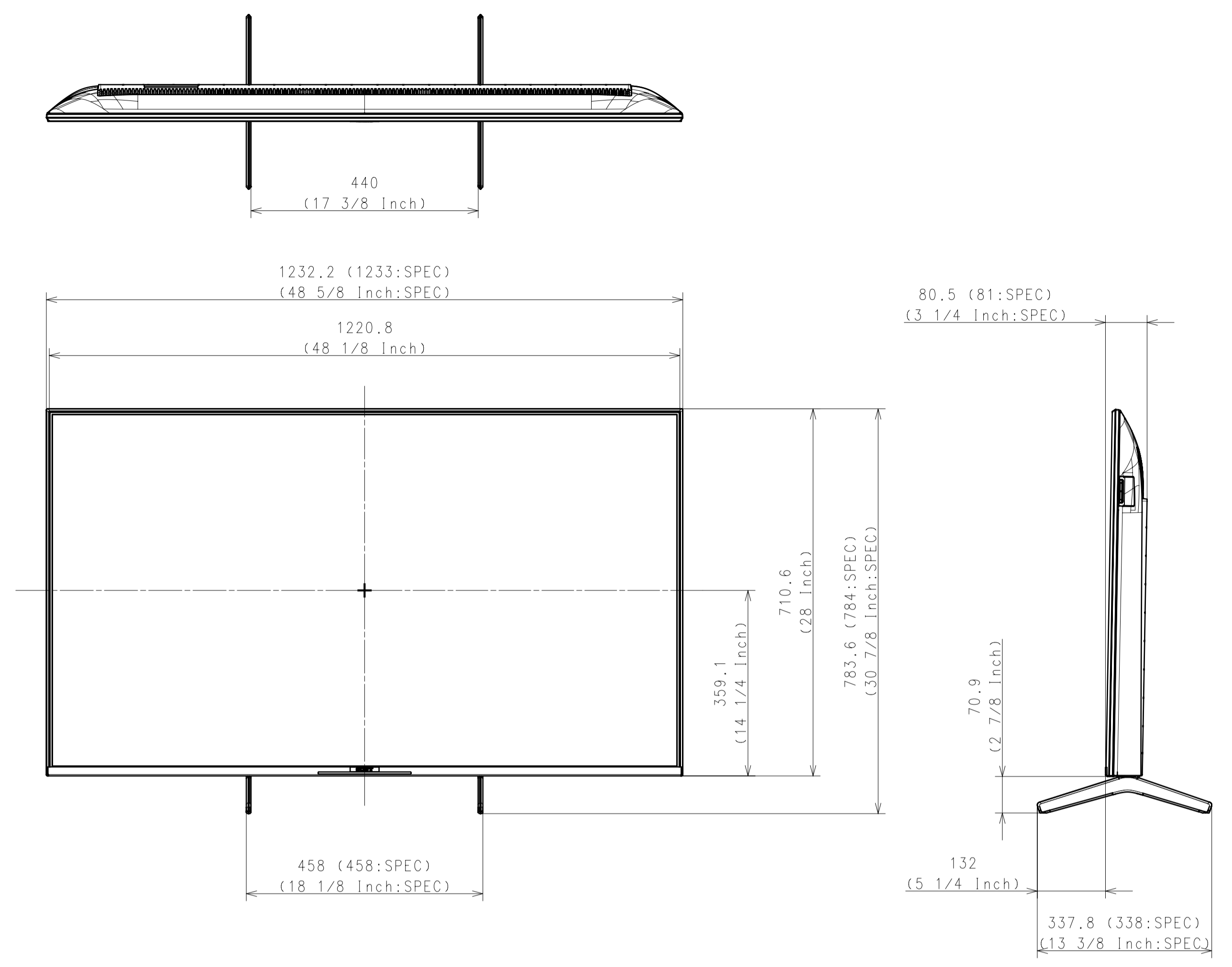


Purchase recycled resins and wire rods only from the business partners that Sony approves as Green Partners.
再生樹脂・電線鋼線はグリーンパートナー 認定受取先から購入してください。

<p>△A</p> <p>△B</p> <p>△C</p>	<p>HISTORY & COUNT</p> <p>SUFFIX</p> <p>RELEASE NO.</p> <p>DATE</p> <p>REVISION</p> <p>SIGN.</p>	<p>GENERAL TOLERANCE</p> <p>DATE OF ISSUE</p> <p>DOCUMENT TYPE</p> <p>PART</p> <p>TOLERANCING DRAWING</p> <p>(JIS & ISO/JEIS JOSTS)</p>
<p>LEGAL OWNER</p> <p>Sony Corporation</p>	<p>RESPONSIBLE DEPARTMENT</p> <p>PLANNED BY</p> <p>2020.11.18</p> <p>U. H. I.</p> <p>DRAWN BY</p> <p>2020.11.18</p> <p>U. H. I.</p>	<p>ORIGINAL MODEL</p> <p>DESCRIPTION</p> <p>AR55 Exterior View Drawing</p> <p>AR55 Exterior View Drawing</p> <p>PART NO.</p> <p>SUFFIX</p> <p>REV. NO.</p> <p>1/6</p>

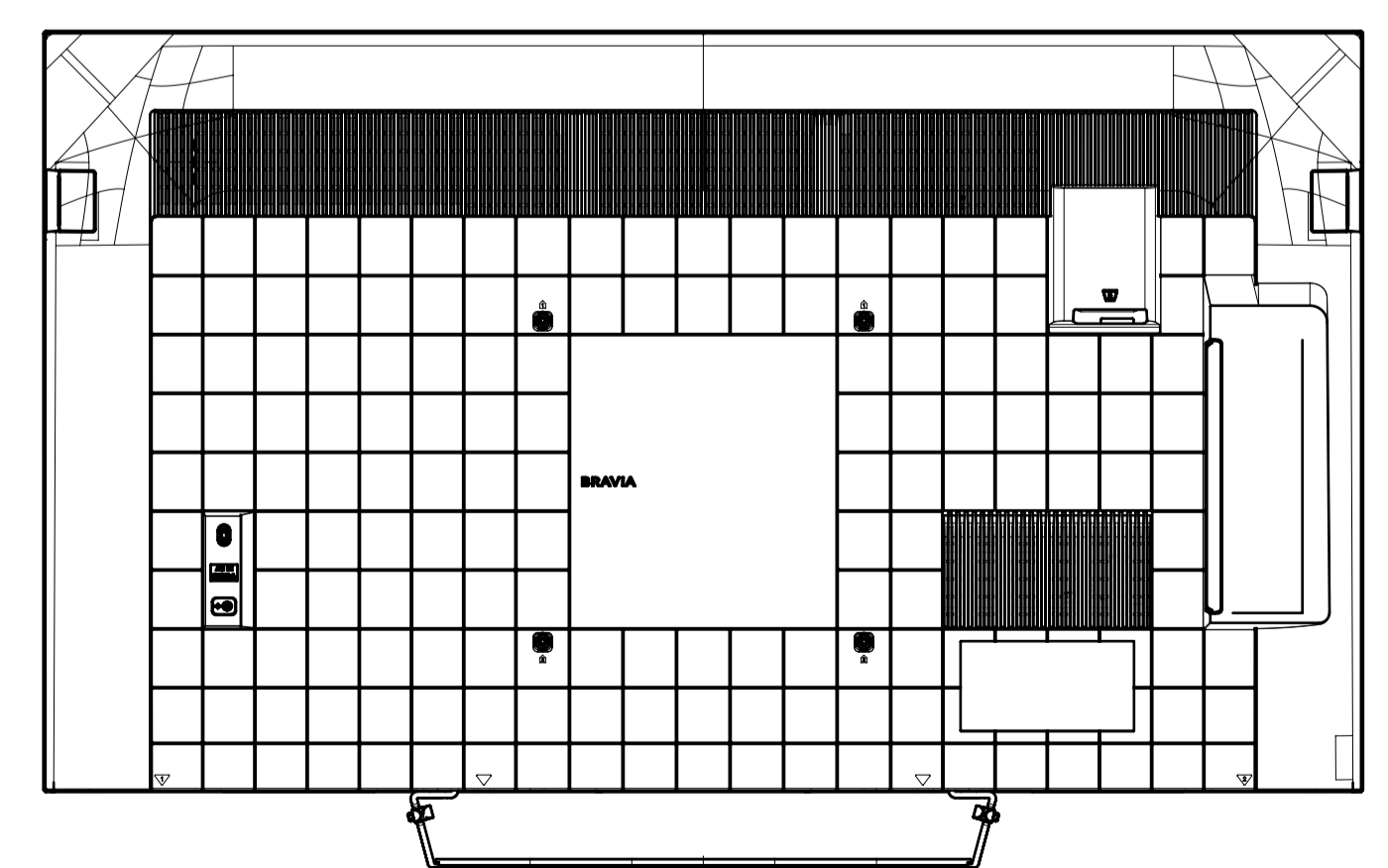
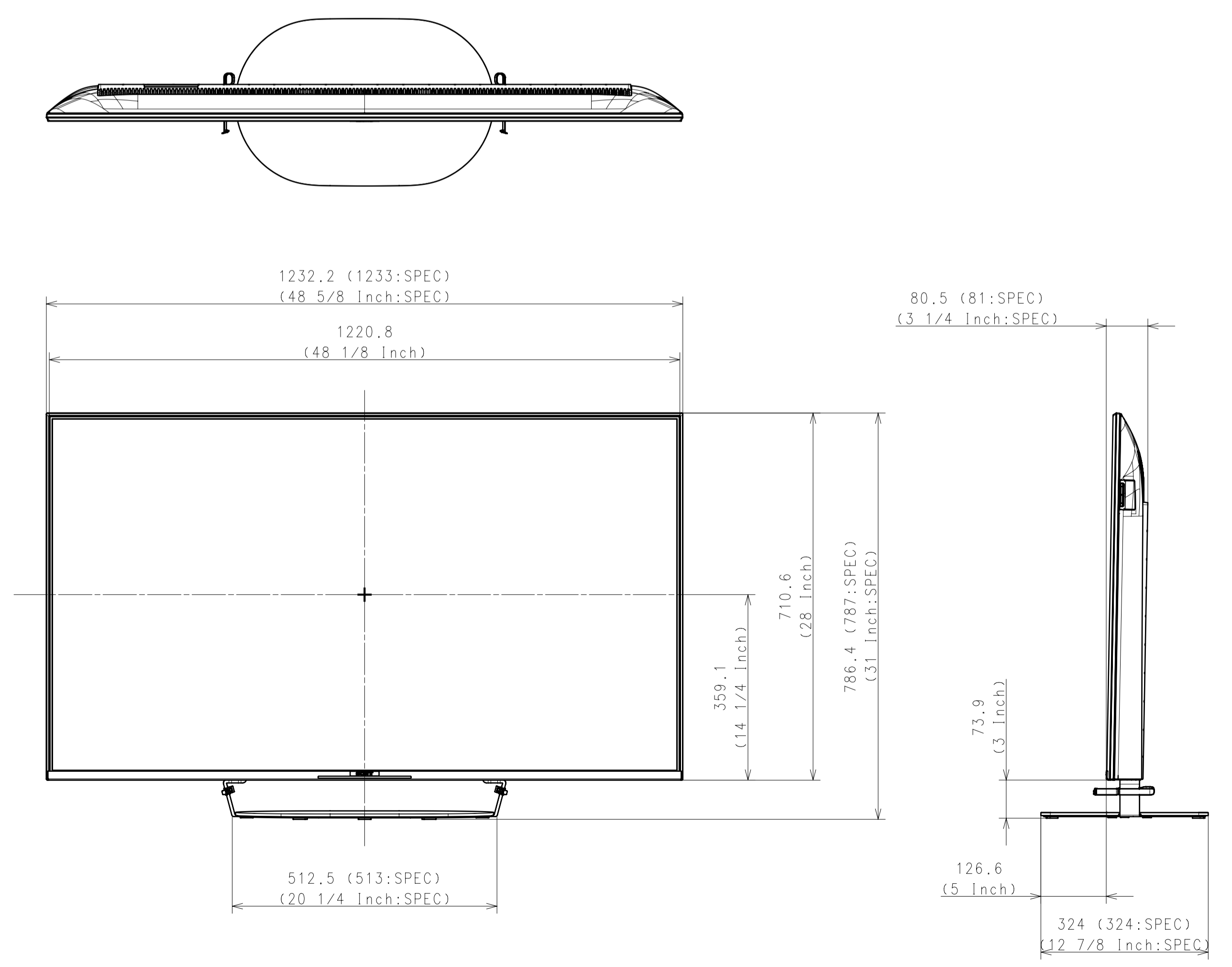
WITH STAND

MAIN STAND (NARROW POSITION)
XR-55X90J (Europe) Only



WITH STAND

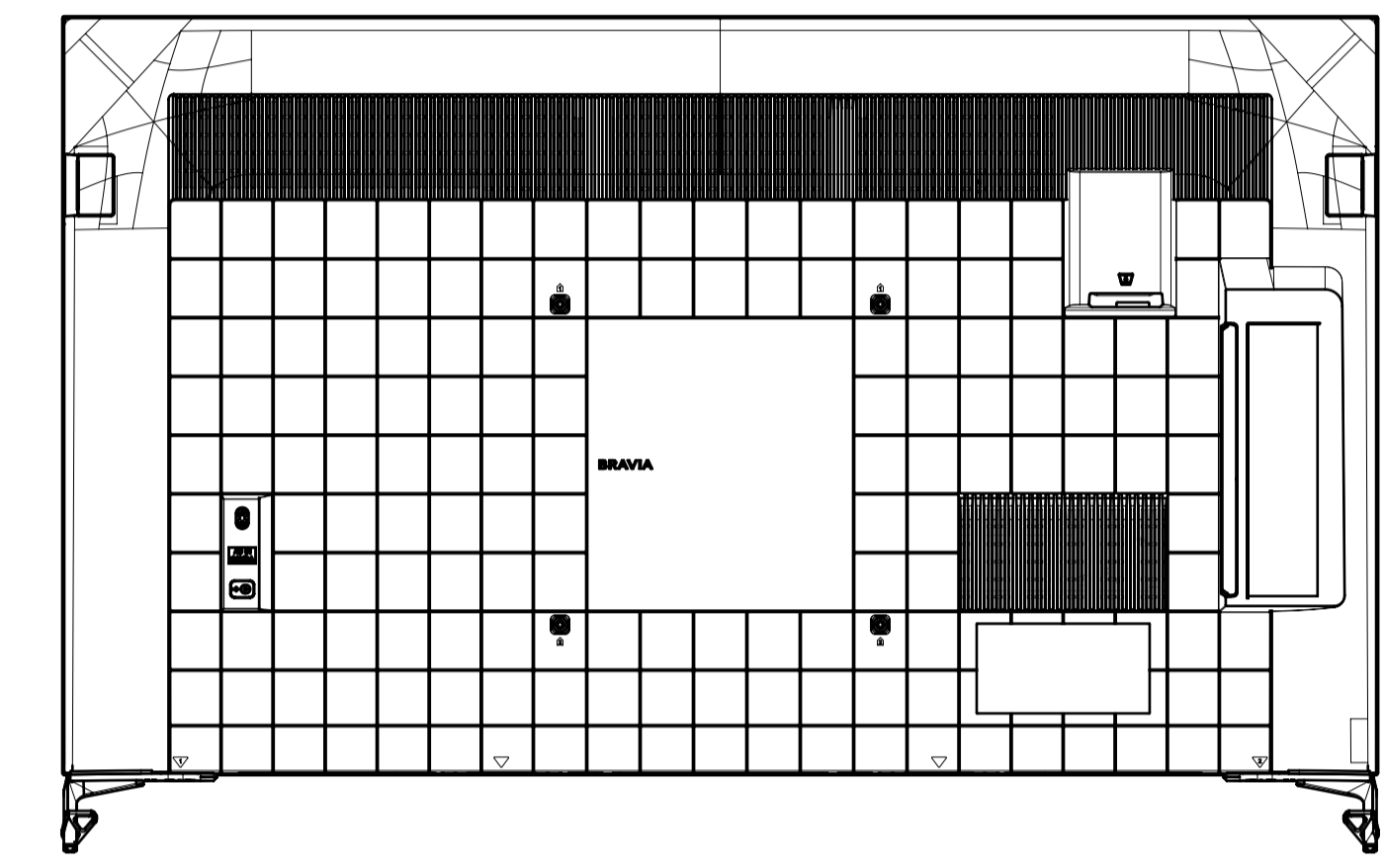
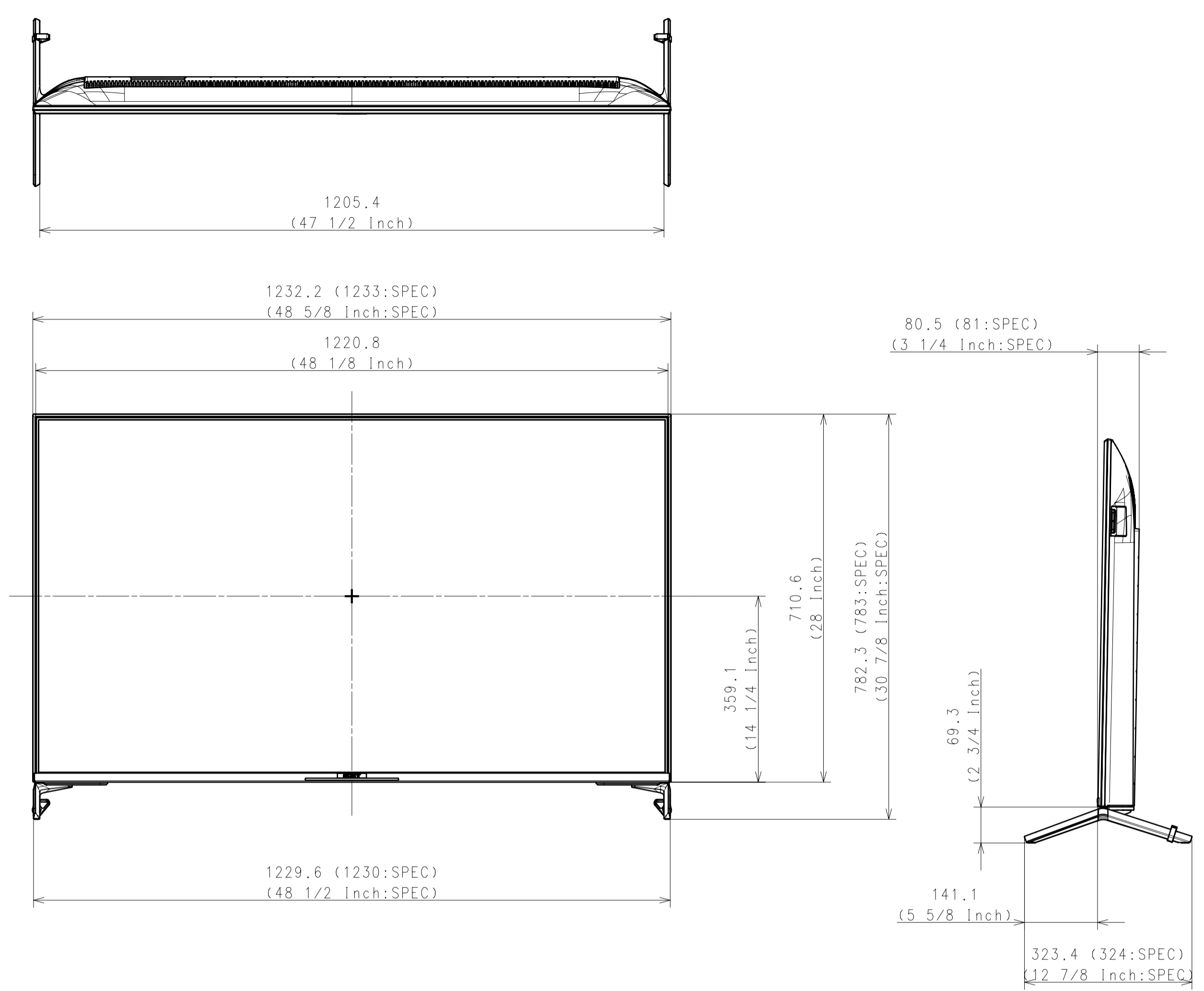
CENTER STAND (STANDARD POSITION)
XR-55X92J (Europe Derivative 1) Only



DESCRIPTION:	LEGAL OWNER:	SCALE:
AR55 Exterior View Drawing	Sony Corporation	1:5
DESCRIPTION:	PART NO.:	SHEET/PAGES:
AR55 Exterior View Drawing		2 / 6

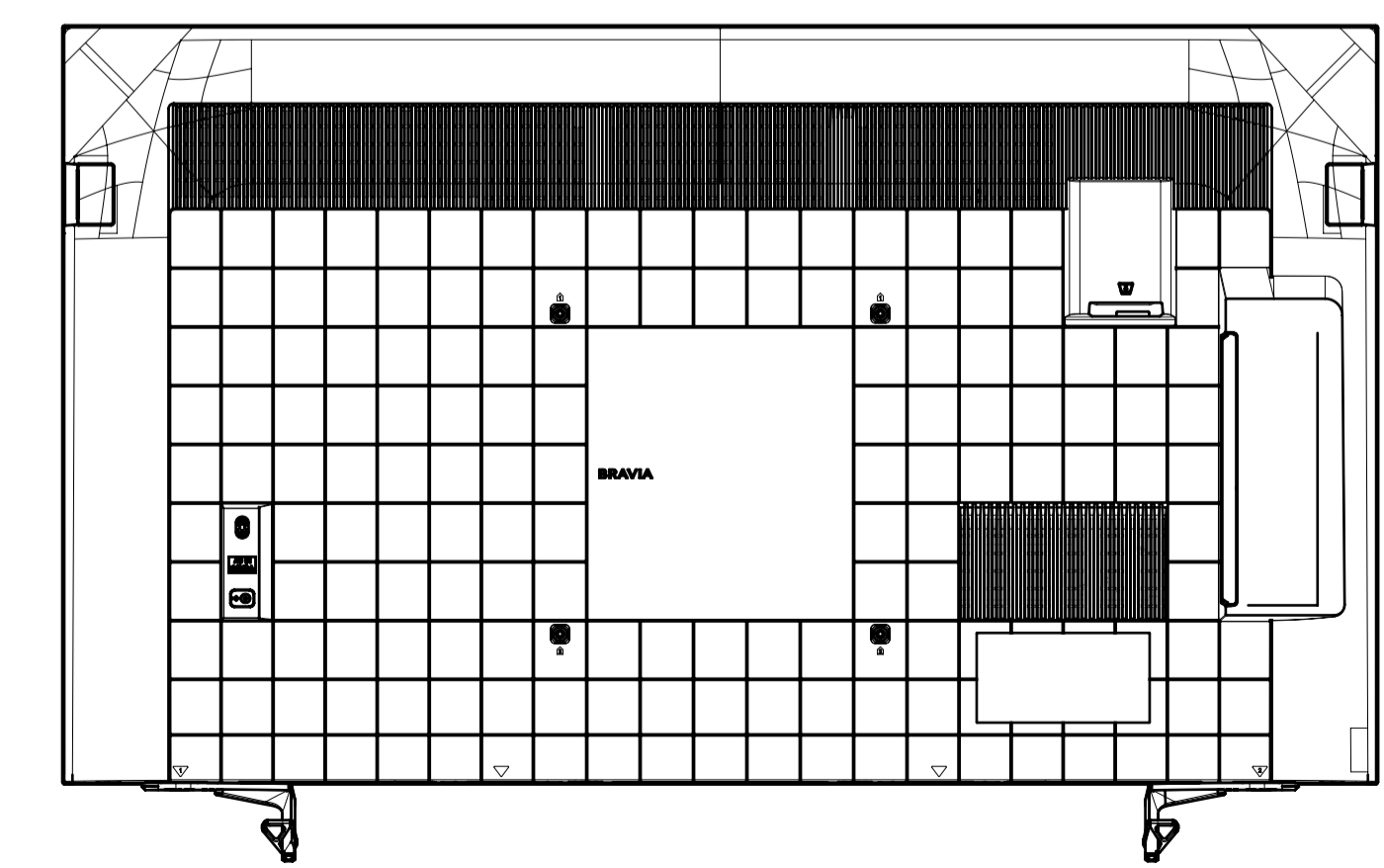
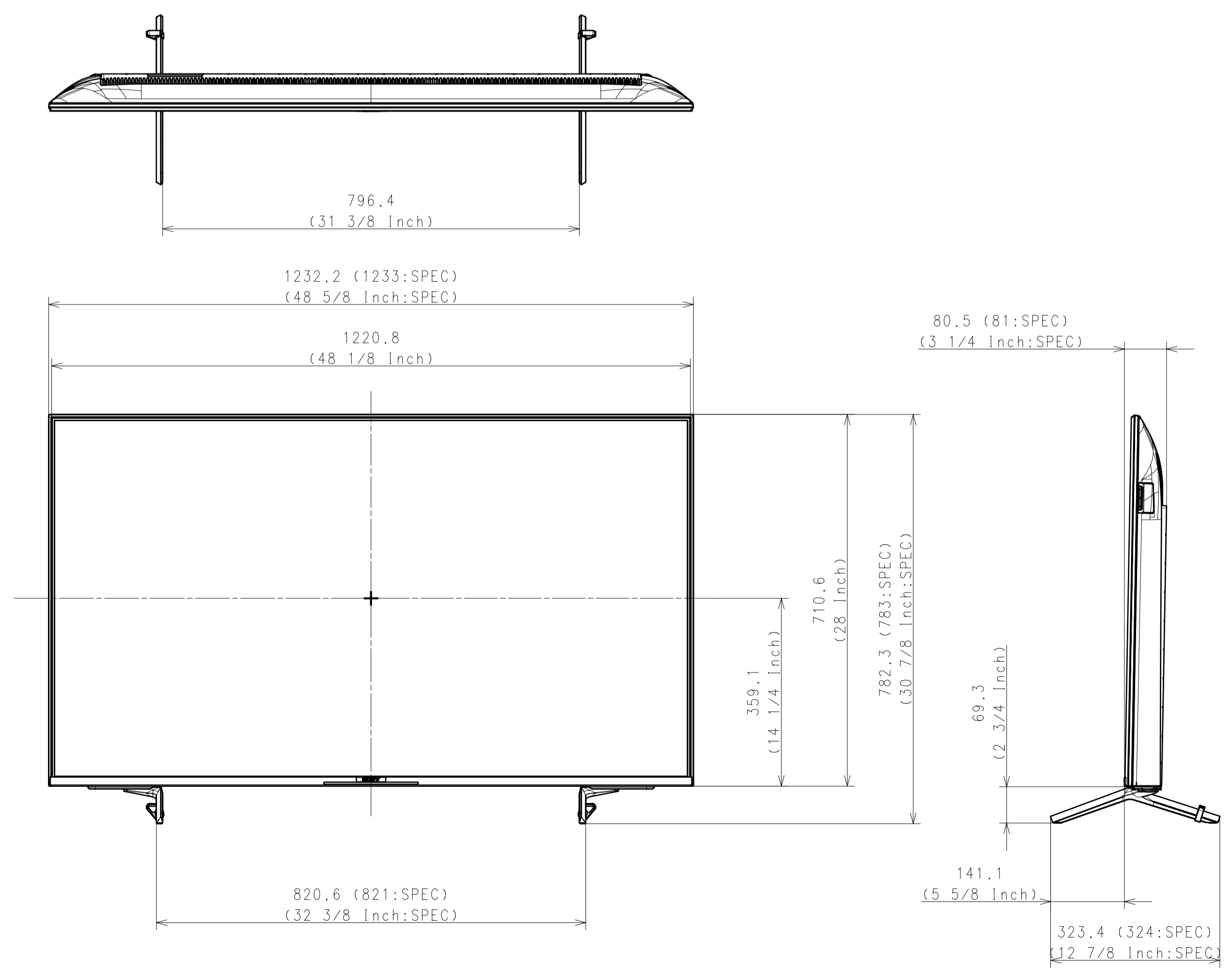
WITH STAND

PREMIUM EDGE STAND (STANDARD POSITION)
XRJ-55X90J (Japan) &
XR-55X94J (Europe Derivative 2) Only



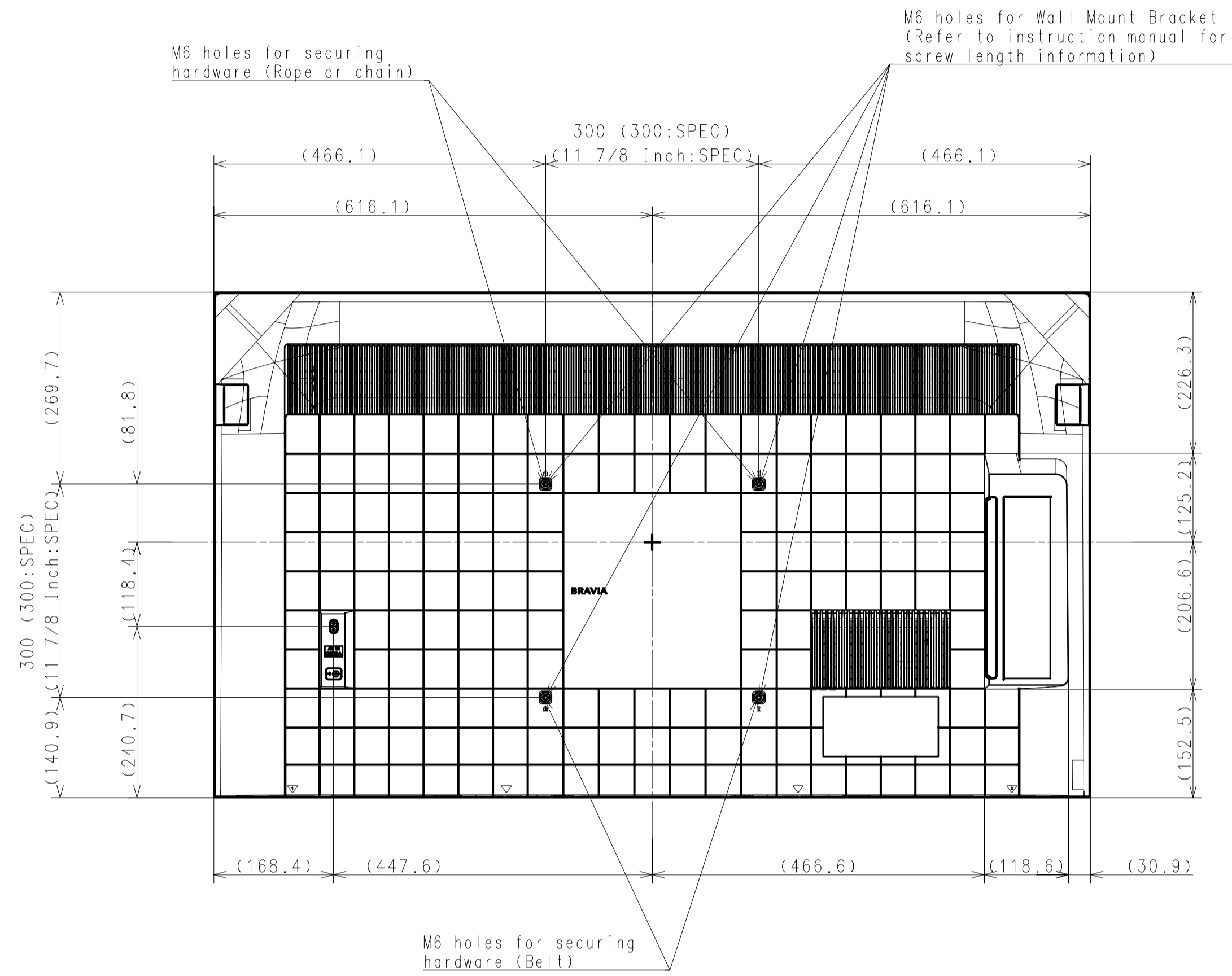
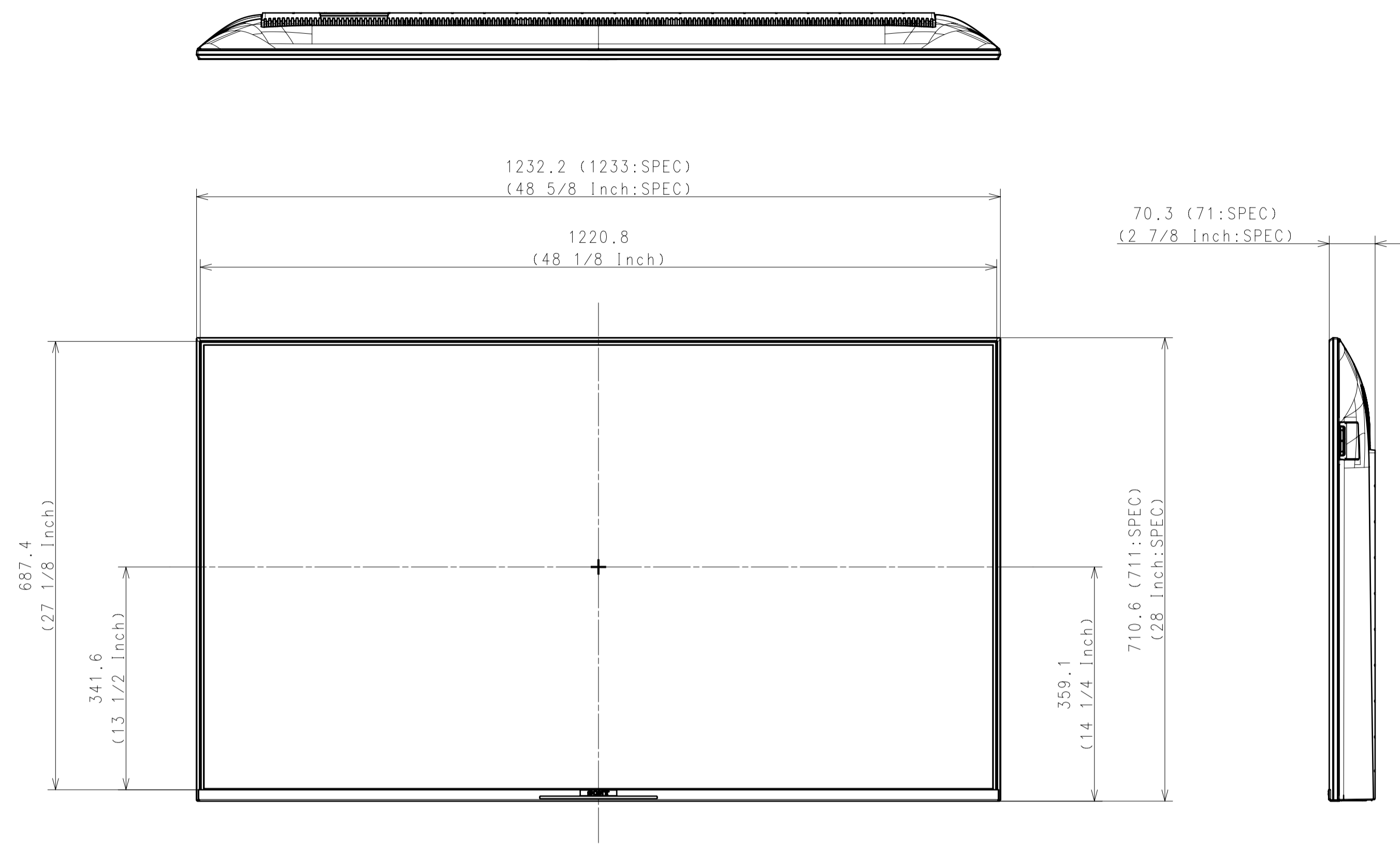
WITH STAND

PREMIUM EDGE STAND (NARROW POSITION)
XRJ-55X90J (Japan) &
XR-55X94J (Europe Derivative 2) Only

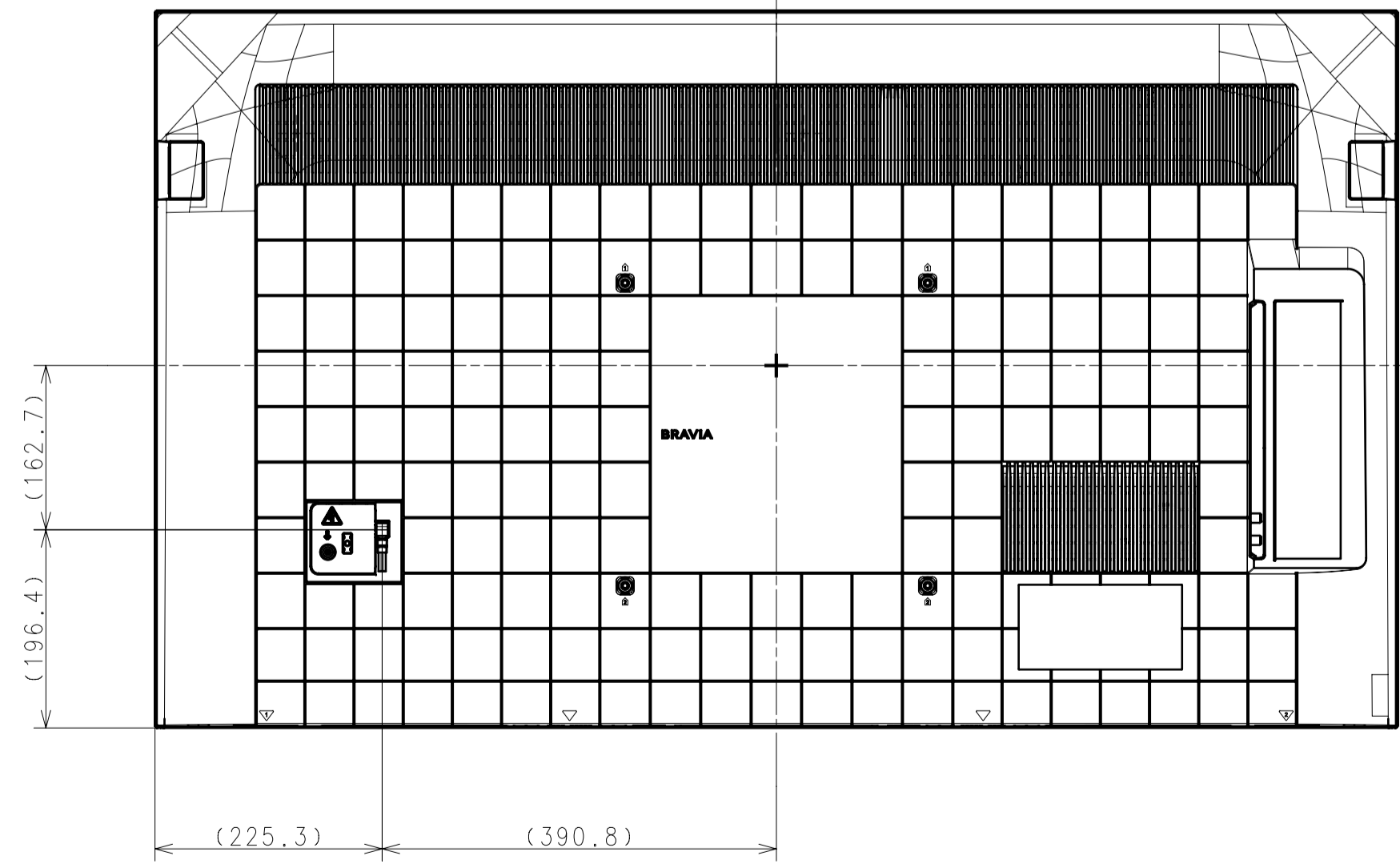


DESCRIPTION:	LEGAL OWNER:	SCALE:
AR55 Exterior View Drawing	Sony Corporation	1:5
DESCRIPTION:	PART NO.:	SHEET/PAGES:
AR55 Exterior View Drawing		3 / 6

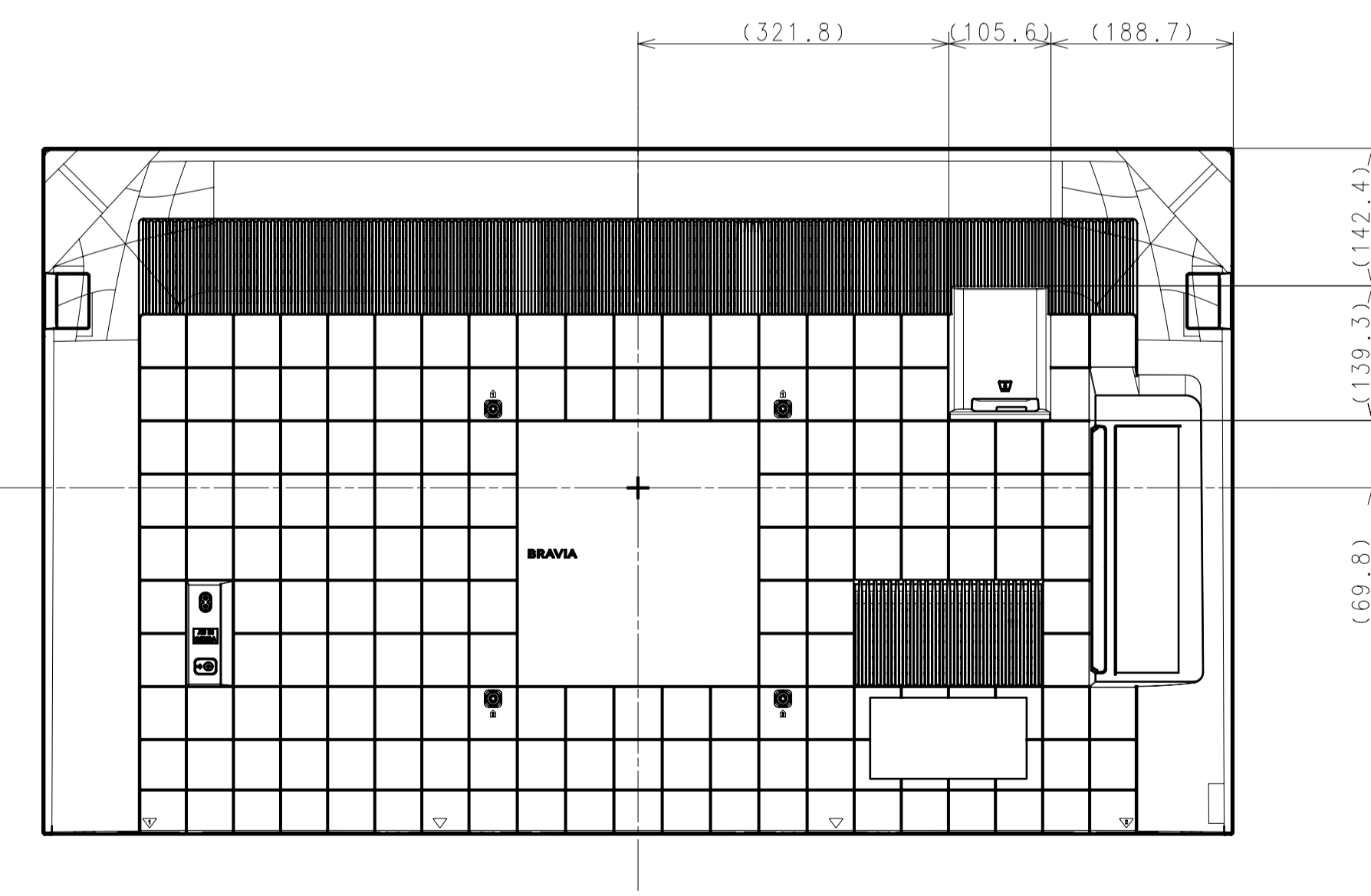
WITHOUT STAND



For GENERAL AREA, NORTH AMERICA, CHINA



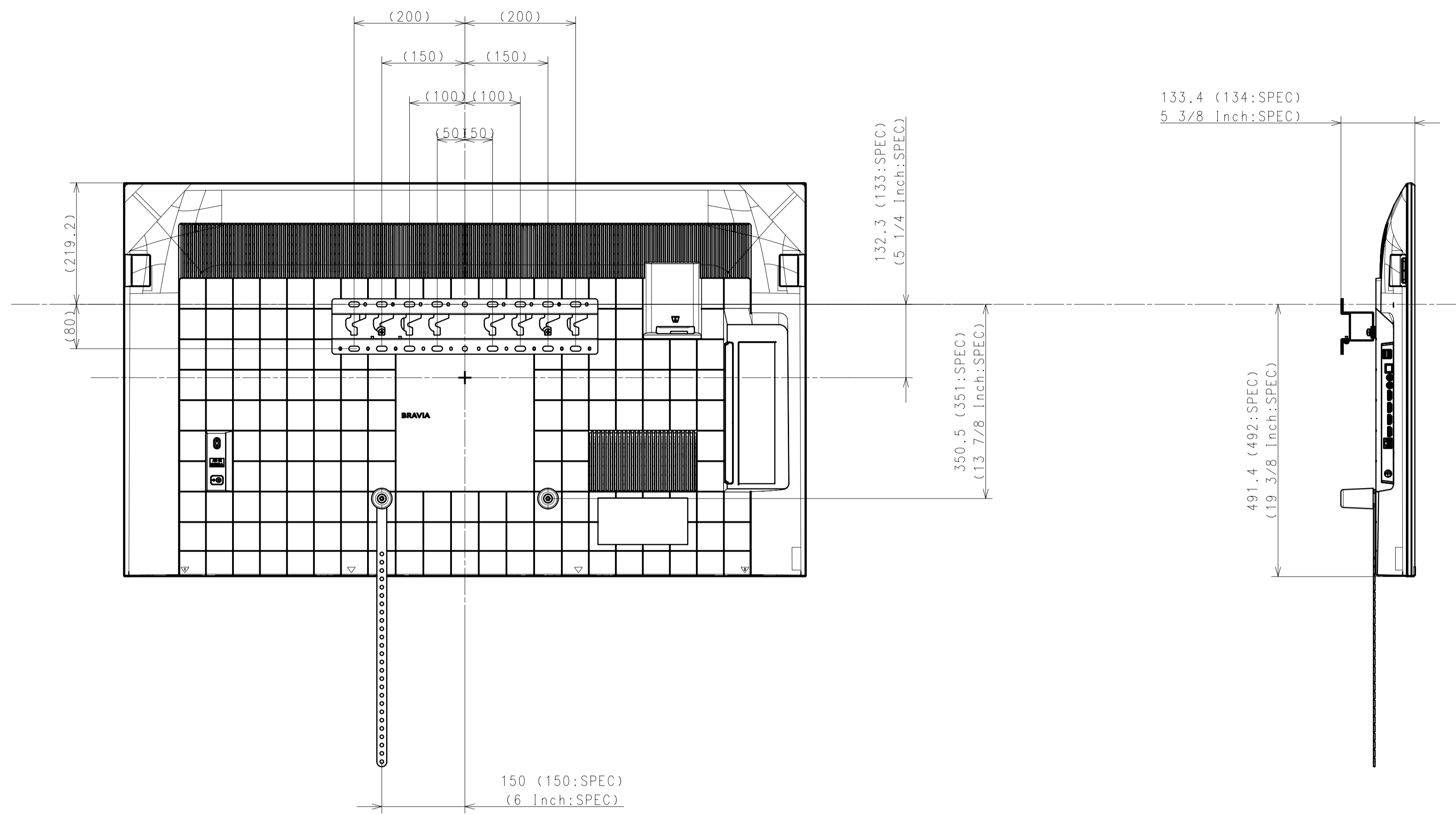
For JAPAN, LATIN AMERICA



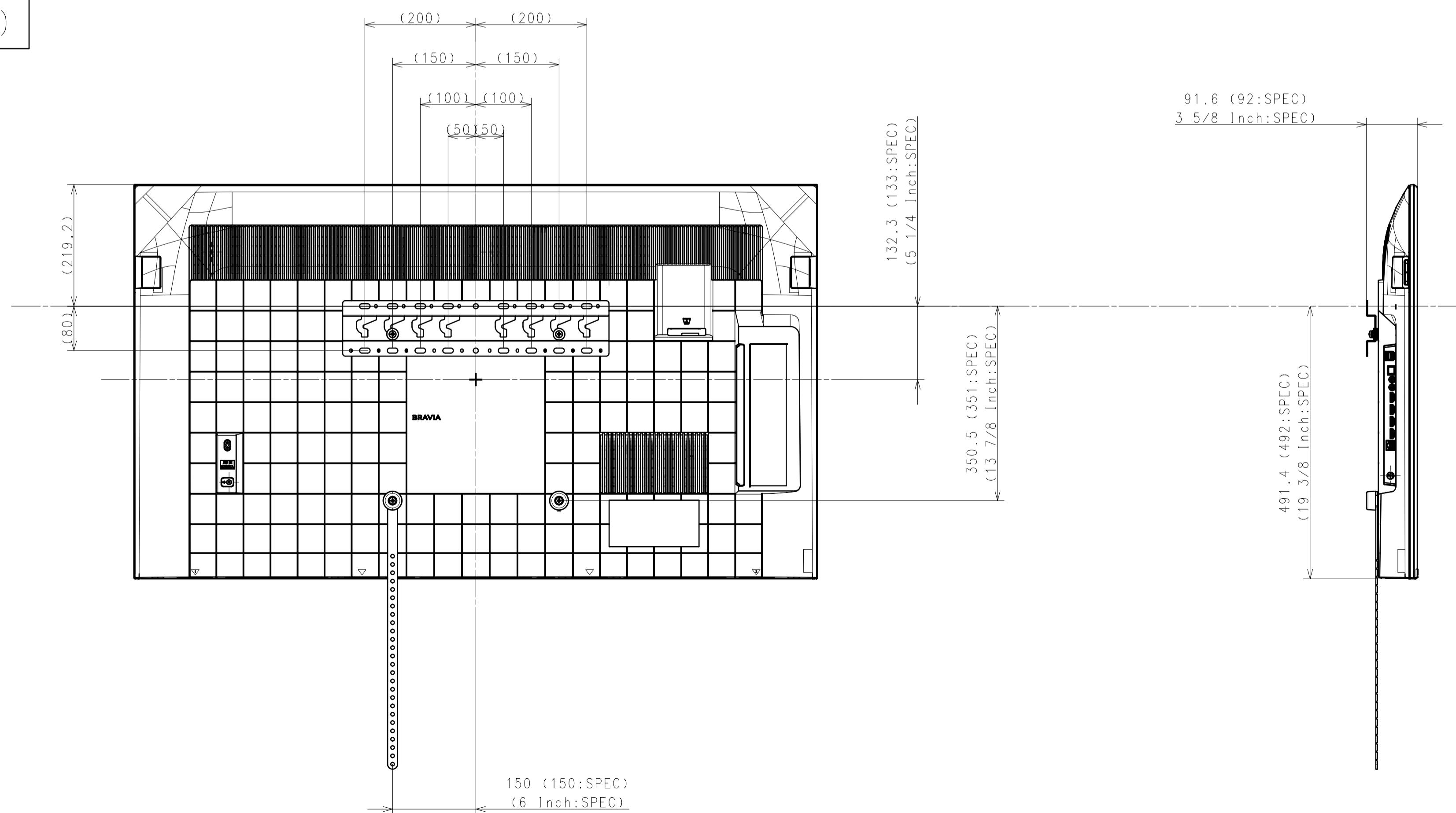
For EUROPE

DESCRIPTION 1 AR55 Exterior View Drawing	LEGAL OWNER Sony Corporation	SCALE 1:5
DESCRIPTION 2 AR55 Exterior View Drawing	PART NO.	SHEET/PAGES 4 / 6

SU-WL450 (STANDARD)



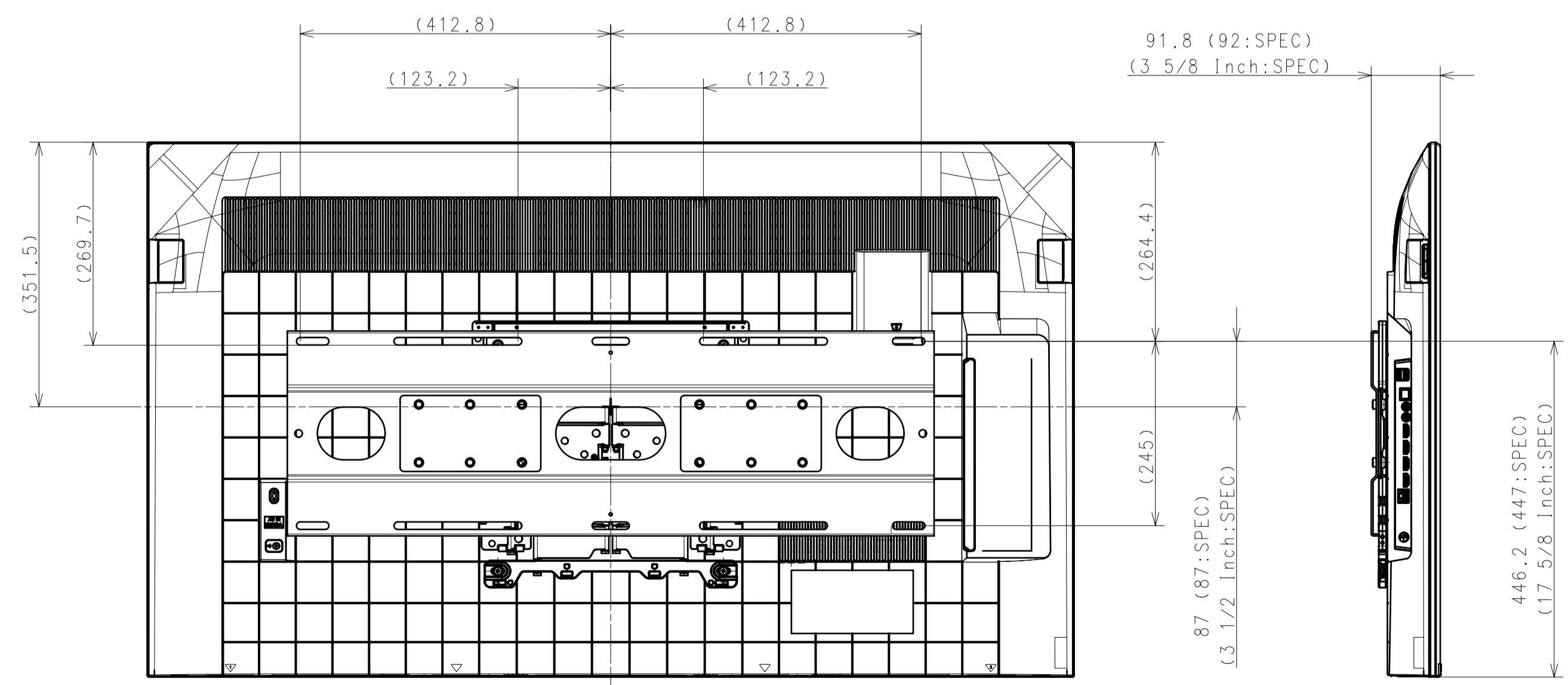
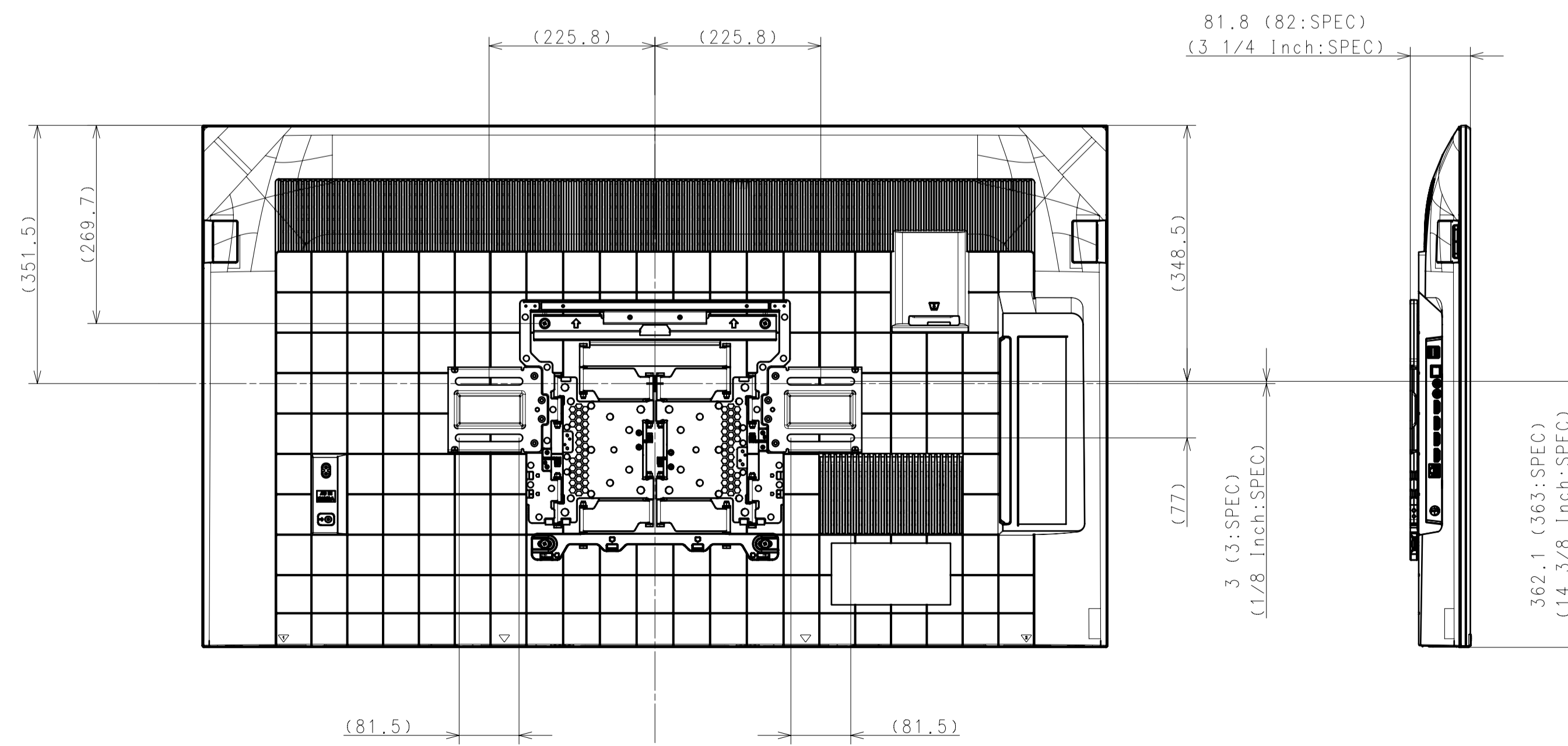
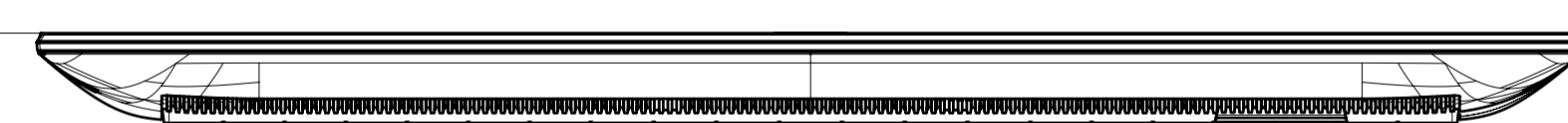
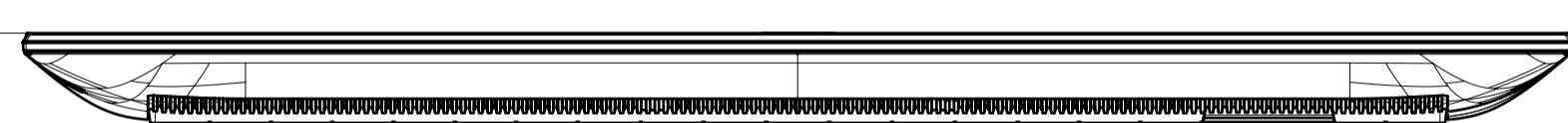
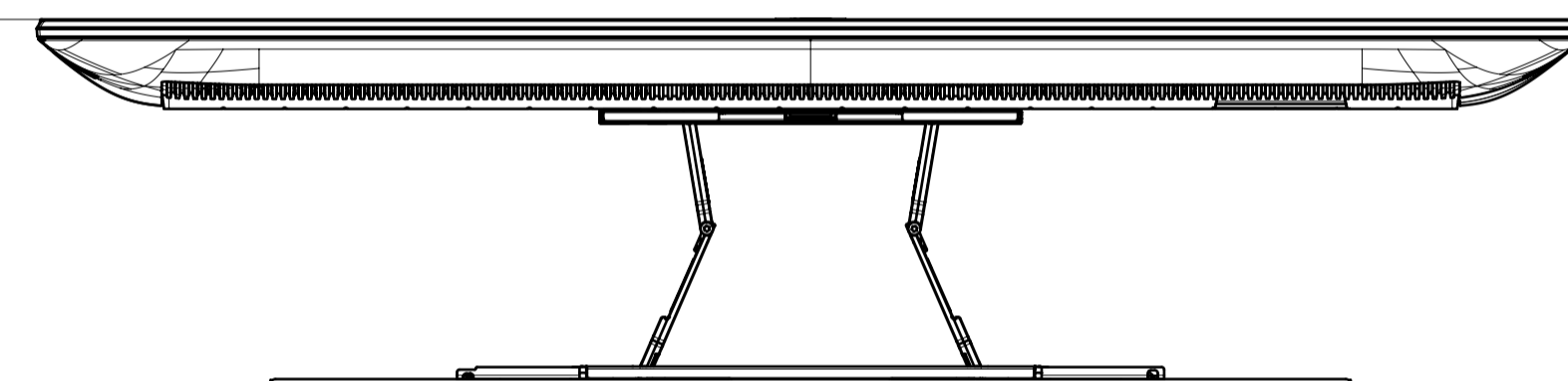
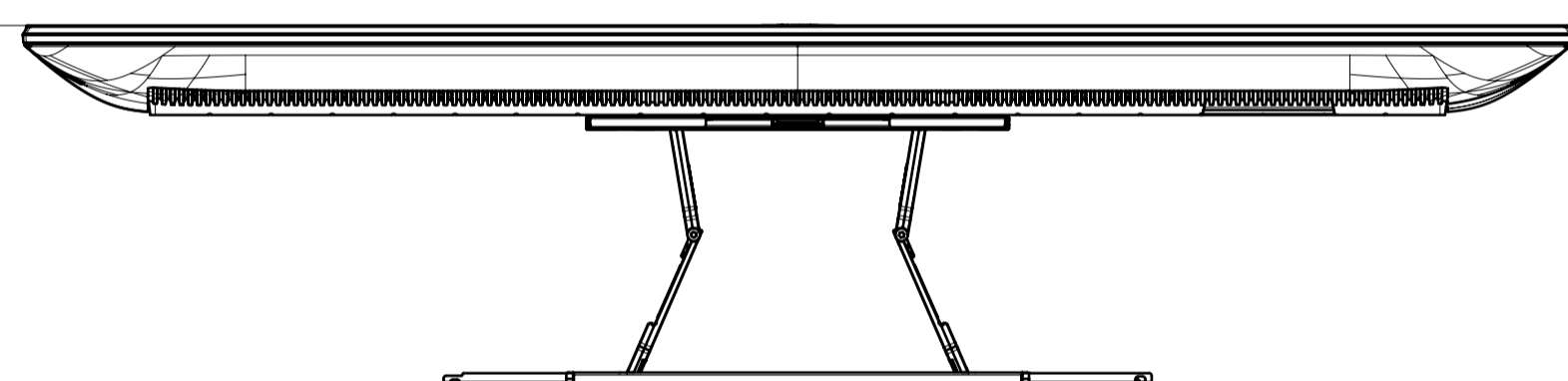
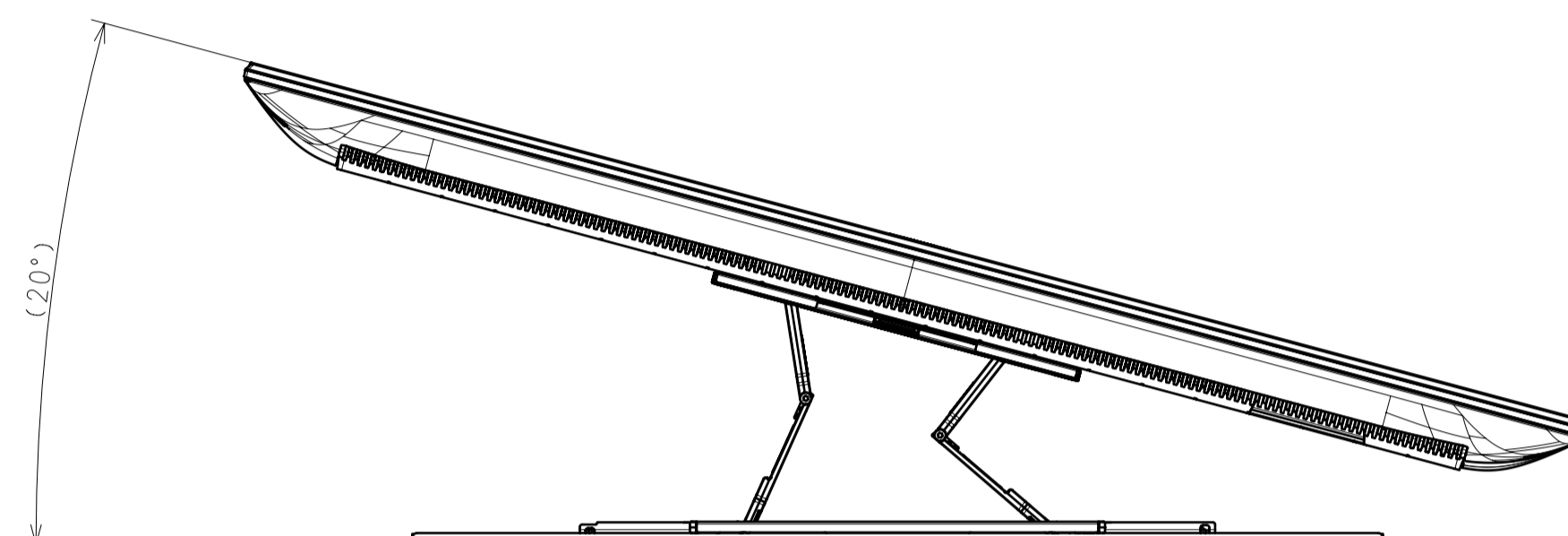
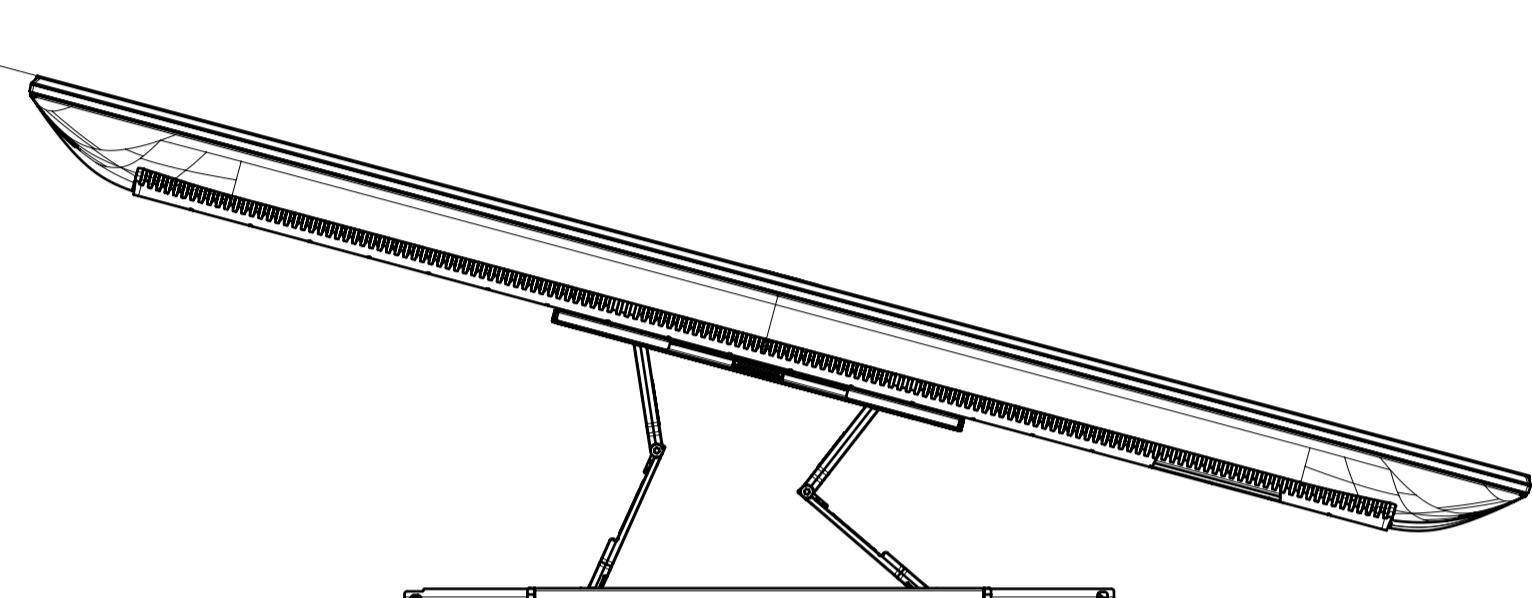
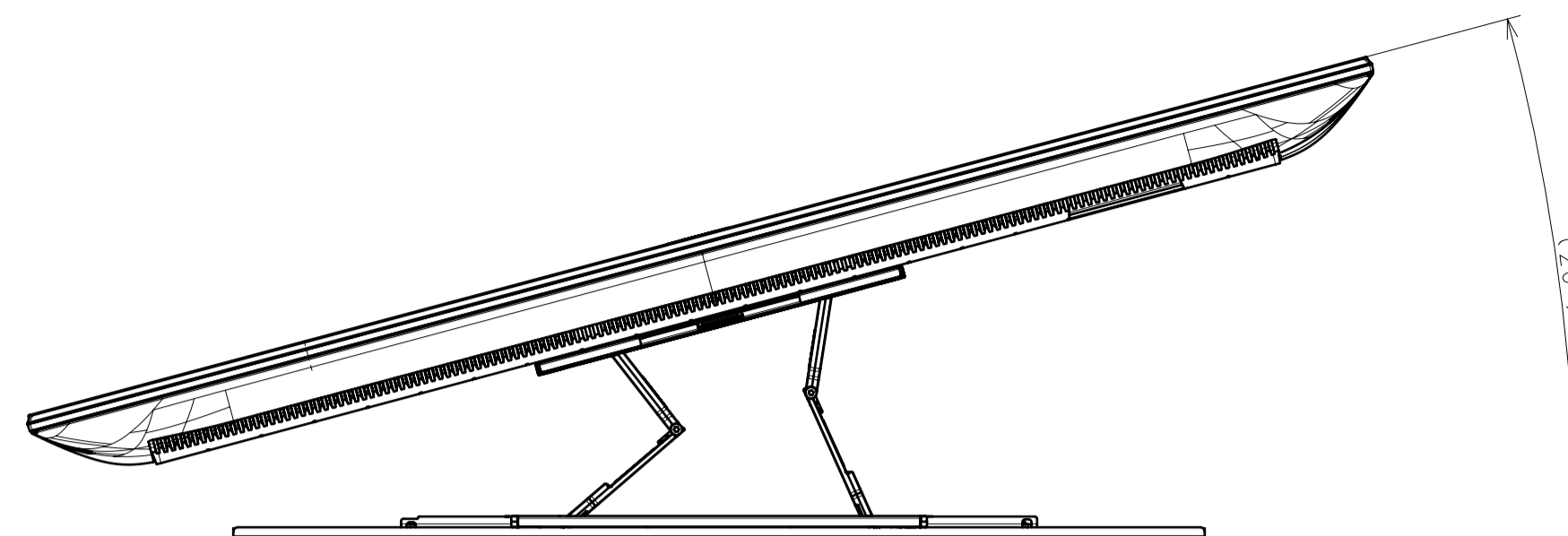
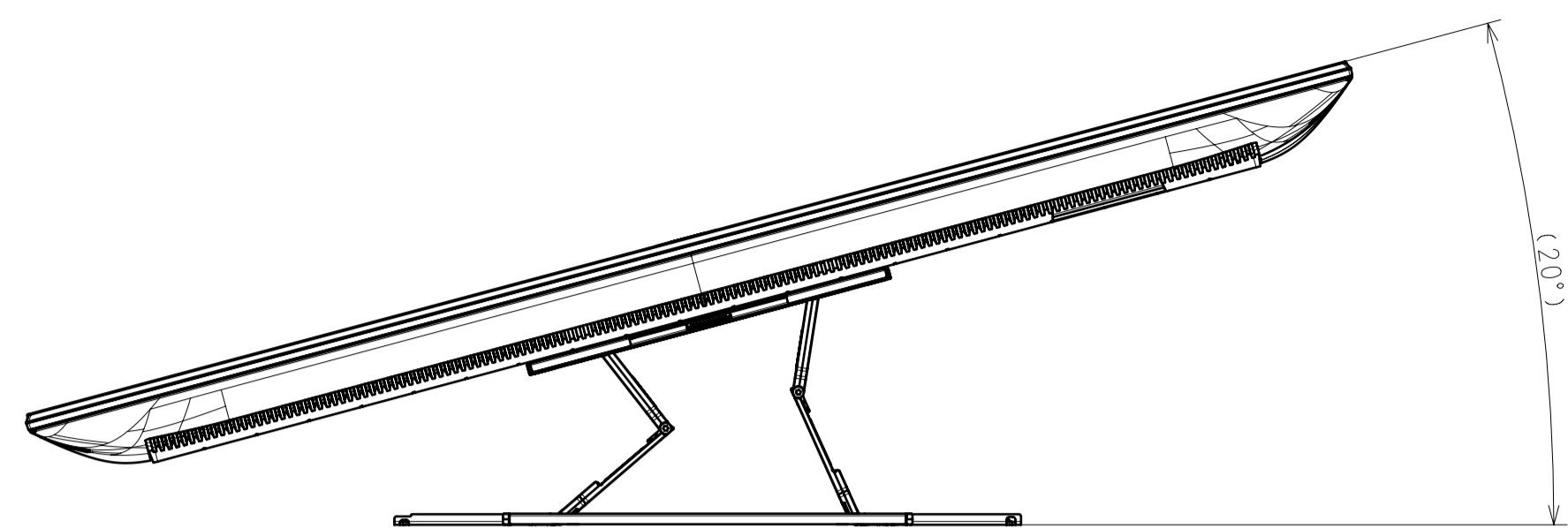
SU-WL450 (SLIM TYPE)



DESCRIPTION	LEGAL OWNER	SCALE
AR55 Exterior View Drawing	Sony Corporation	1:5
DESCRIPTION	PART NO.	SHEET/PAGES
AR55 Exterior View Drawing		5/6

SU-WL850

SU-WL855 (WITH LATERAL SHAFT BRACKET)



DESCRIPTION1 AR55 Exterior View Drawing	LEGAL OWNER Sony Corporation	SCALE 1:5
DESCRIPTION2 AR55 Exterior View Drawing	PART NO.	SHEET/PAGES 6/ 6