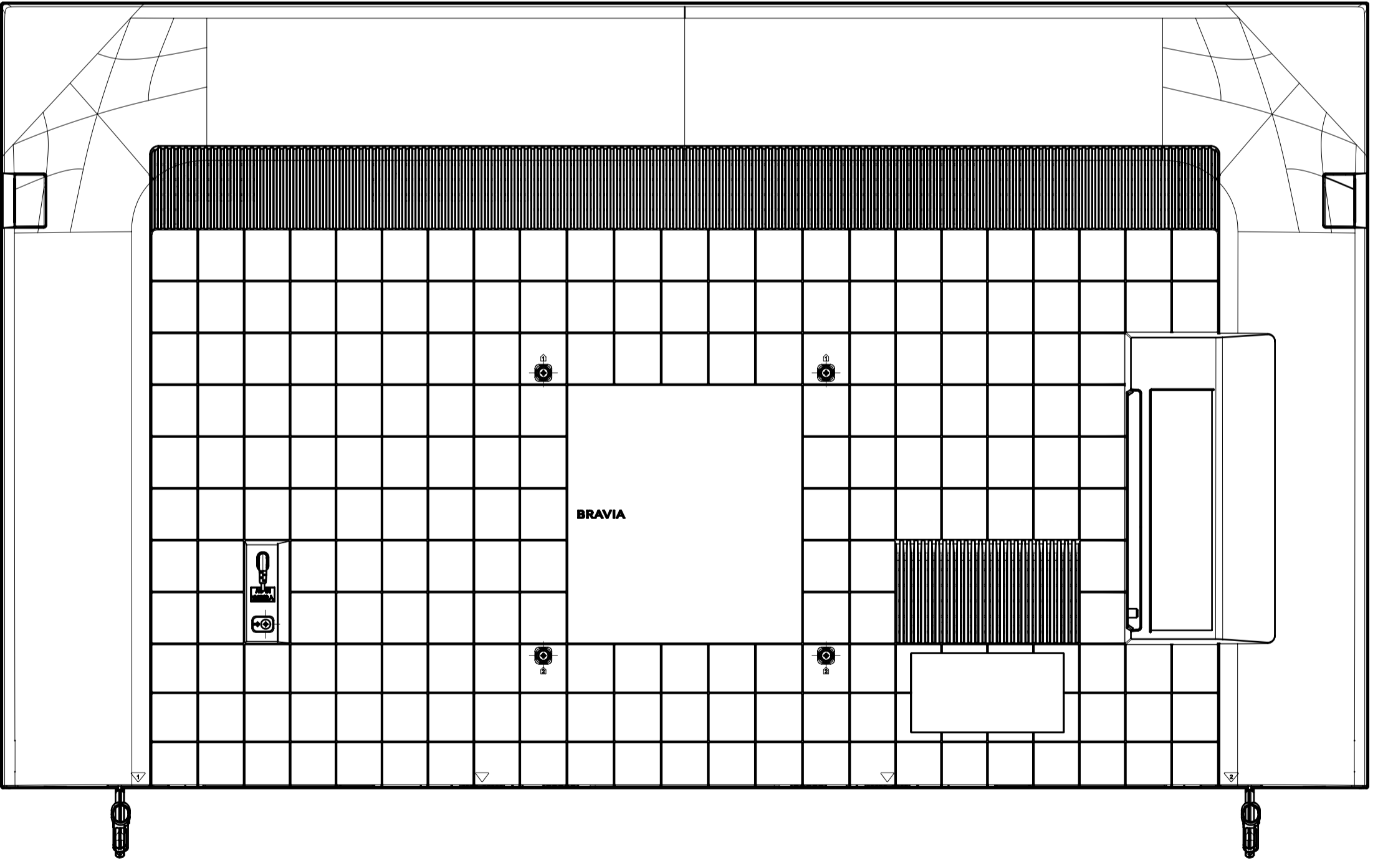
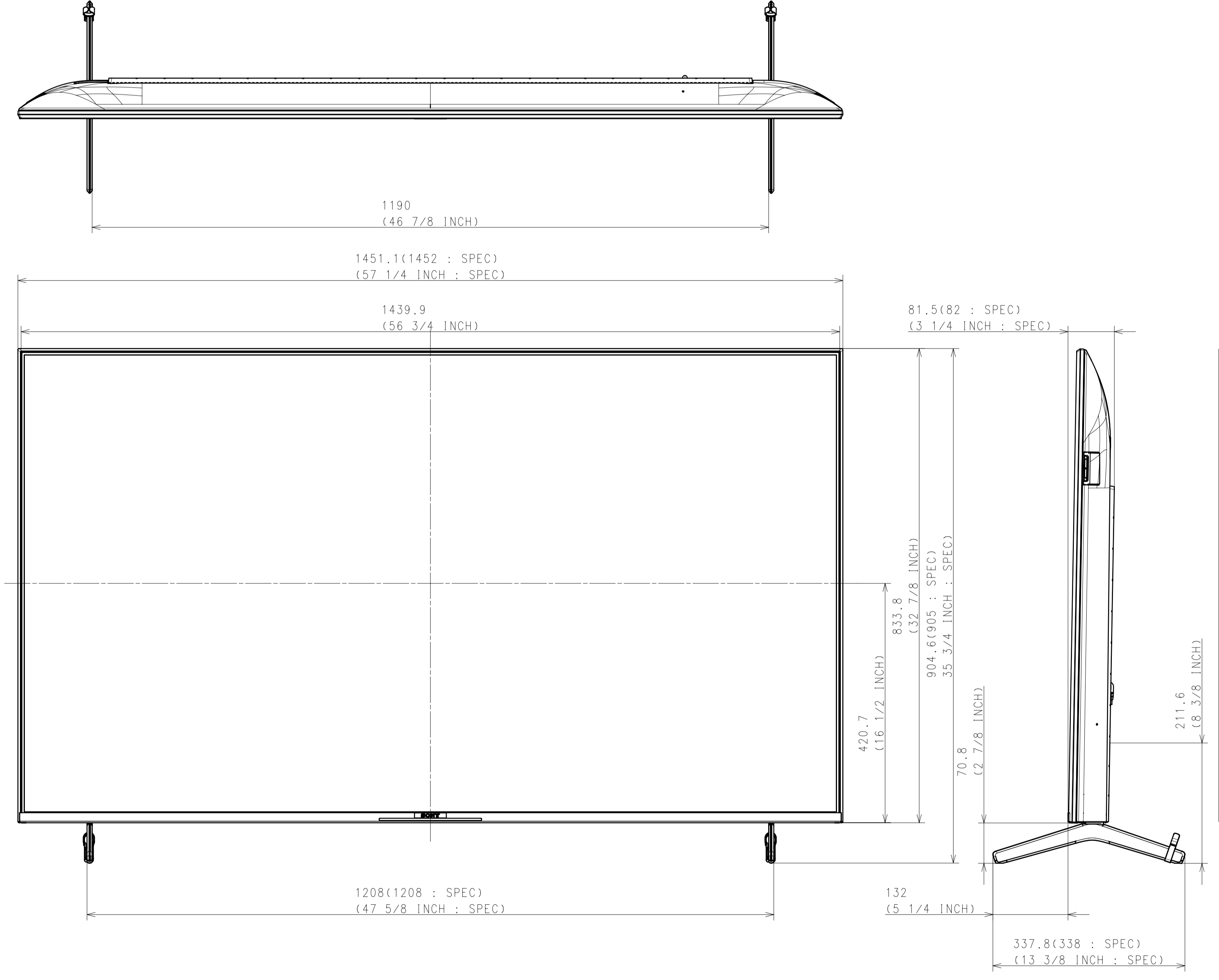


Area		JAPAN	NORTH AMERICA	LATIN AMERICA	EUROPE	EUROPE DERIVATIVE 1	EUROPE DERIVATIVE 2	GENERAL AREA	CHINA
Model Name		XRJ-65X90J	XR-65X90J	XR-65X90J	XR-65X90J	XR-65X92J	XR-65X94J	XR-65X90J	XR-65X90J
SV No.		SV-39369	SV-39173	SV-39195	SV-39323	SV-39324	SV-39325	SV-39222	SV-39302
DIMENSION	TV only (W x H x D)	145.2 x 83.4 x 7.1 (0.55) cm	1452 x 834 x 71 (5.5) mm / 57 1/4 x 32 7/8 x 2 7/8 (7/32) inch	1452 x 834 x 71 (5.5) mm	Approx. 145.2 x 83.4 x 7.1 (0.55) cm	Approx. 145.2 x 83.4 x 7.1 (0.55) cm	Approx. 145.2 x 83.4 x 7.1 (0.55) cm	Approx. 1452 x 834 x 71 (5.5) mm	Approx. 1452 x 834 x 71 (5.5) mm
	TV with Stand (Standard position) (W x H x D)	145.2 x 90.3 x 35.4 cm	1452 x 905 x 338 mm / 57 1/4 x 35 3/4 x 13 3/8 inch	1452 x 905 x 338 mm	Approx. 145.2 x 90.5 x 33.8 cm	Approx. 145.2 x 90.7 x 32.4 cm	Approx. 145.2 x 90.3 x 35.4 cm	Approx. 1452 x 905 x 338 mm	Approx. 1452 x 905 x 338 mm
	TV with Stand (Narrow position) (W x H x D)	145.2 x 90.3 x 35.4 cm	-	-	Approx. 145.2 x 90.5 x 33.8 cm	-	Approx. 145.2 x 90.3 x 35.4 cm	-	-
	TV with Stand (Soundbar position) (W x H x D)	-	-	-	-	-	-	-	-
	TV with Floor Stand (W x H x D)	-	-	-	-	-	-	-	-
	Stand Width (Standard position)	145.0 cm	1208 mm / 47 5/8 inch	1208 mm	Approx. 120.8 cm	Approx. 50.0 cm	Approx. 145.0 cm	Approx. 1208 mm	Approx. 1208 mm
	Stand Width (Narrow position)	89.9 cm	-	-	Approx. 46.0 cm	-	Approx. 89.9 cm	-	-
	Stand Width (Soundbar position)	-	-	-	-	-	-	-	-
	Floor Stand Width	-	-	-	-	-	-	-	-
VESA Hole Pitch	30.0 x 30.0 cm	300 x 300 mm / 11 7/8 x 11 7/8 inch	300 x 300 mm	30.0 x 30.0 cm	30.0 x 30.0 cm	30.0 x 30.0 cm	30.0 x 30.0 cm	300 x 300 mm	300 x 300 mm
WEIGHT	TV Only	22.9 kg	22.9 kg / 50.5 lb	22.9 kg	Approx. 22.9 kg	Approx. 22.9 kg	Approx. 22.9 kg	Approx. 22.9 kg	Approx. 22.9 kg
	TV with Stand (Standard position)	24.6 kg	23.8 kg / 52.5 lb	23.8 kg	Approx. 23.8 kg	Approx. 26.8 kg	Approx. 24.6 kg	Approx. 23.8 kg	Approx. 23.8 kg
	TV with Stand (Narrow position)	24.6 kg	-	-	Approx. 23.8 kg	-	Approx. 24.6 kg	-	-
	TV with Stand (Soundbar position)	-	-	-	-	-	-	-	-
	TV with Floor Stand	-	-	-	-	-	-	-	-
	Floor Stand weight (Supply)	-	-	-	-	-	-	-	-
Remarks		2way, Premium Edge Stand			2way	Center Stand	2way, Premium Edge Stand		

WITH STAND

MAIN STAND (STANDARD POSITION)
Except XRJ-65X90J (JAPAN) &
XR-65X92J, XR-65X94J (EUROPE DERIVATIVE)



Purchase recycled resins and wire rods only from the business partners that Sony approves as Green Partners.
再生樹脂・鋼線鋼材はグリーンパートナー認定品から調達すること。

DATE OF ISSUE	2020.11.30	GENERAL TOLERANCE	
DOCUMENT TYPE	ASSEMBLY		
TECHNICAL DRAWING			
JIS & ISO (ISO BASIS)			

HISTORY	SUFFIX	RELEASE NO.	DATE	REVISION	SIGN.
1		2020.12.08		CORRECT INFORMATION	BRYAN

RESPONSIBLE DEPARTMENT	PLANNED BY	DESIGNED BY	APPROVED BY	SCALE	ORIGINAL MODEL	DESCRIPTION
PLANNING AND MECHANICAL DESIGN	2020.11.30	BRYAN CHIEH DSI-WECH		1:5	SV-39369 (J11)	65 (X90J) EXTERIOR VIEW
	2020.11.30					65 (X90J) EXTERIOR VIEW

SIZE	UNIT	PAGE NO.	SUFFIX	REV. NO.	SHEET/PAGES
A1	mm				1 / 8

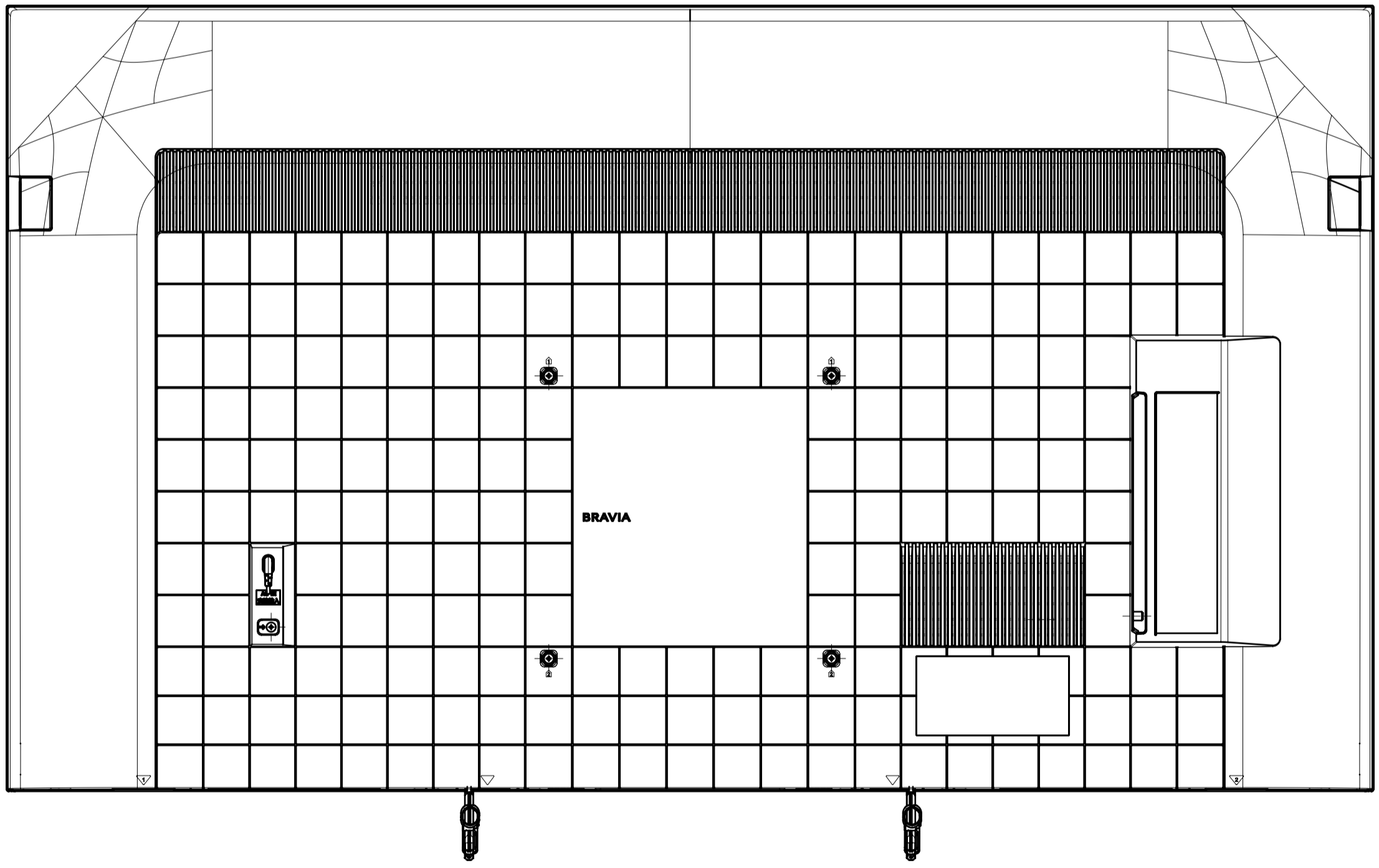
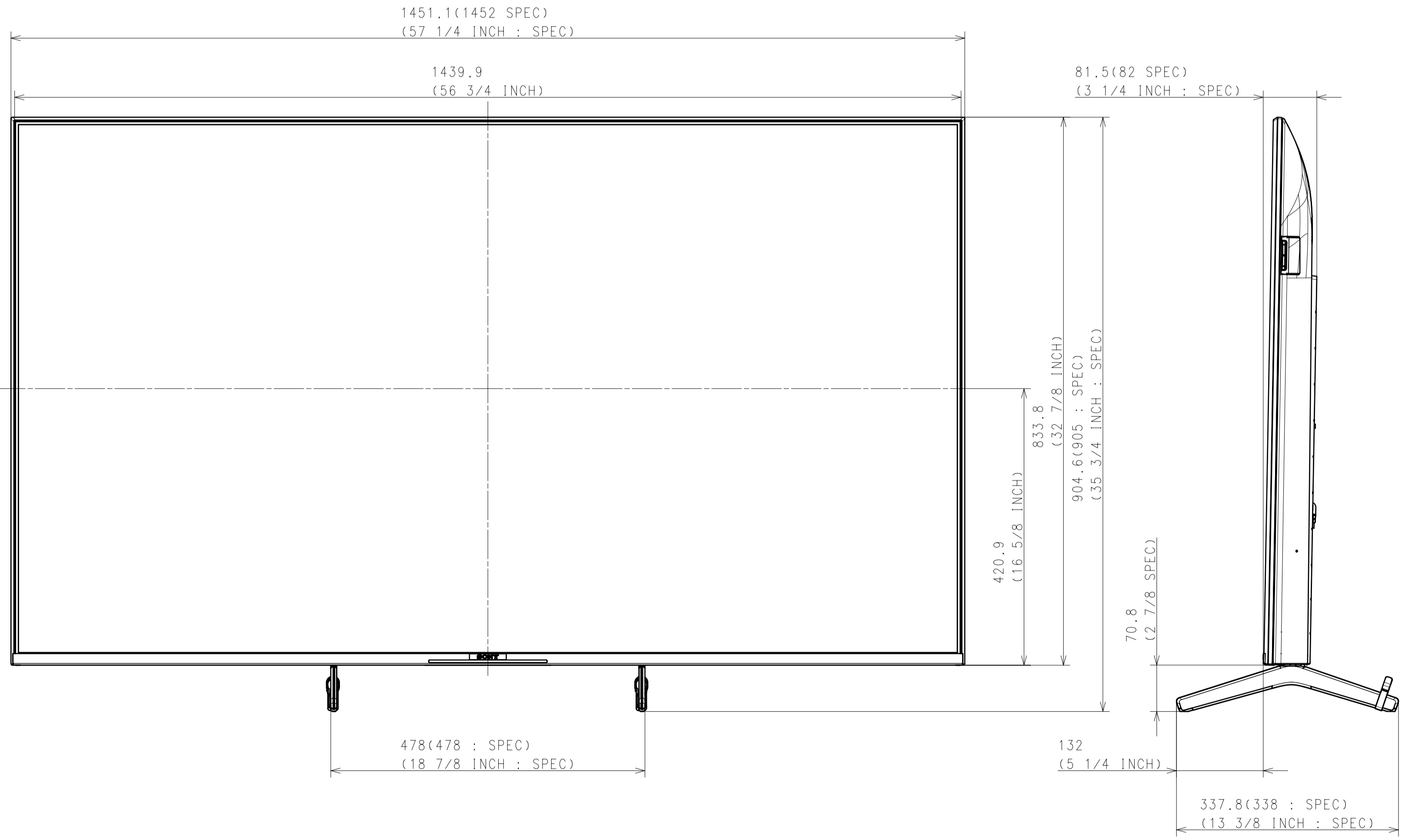
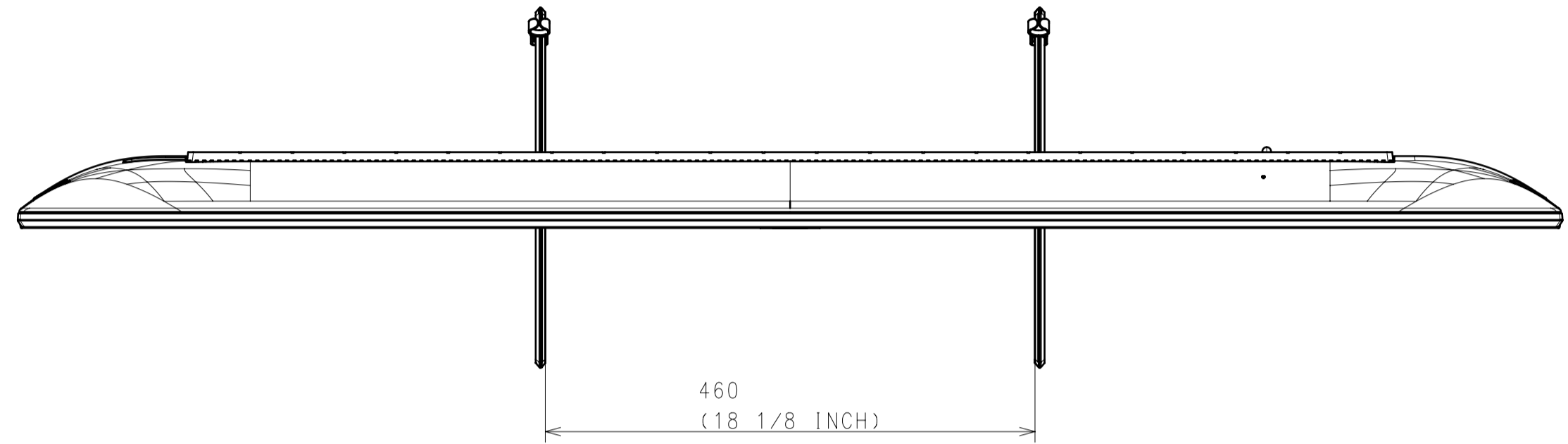
DATE OF ISSUE: 2020.11.30
DOCUMENT TYPE: ASSEMBLY
TECHNICAL DRAWING
JIS & ISO (ISO BASIS)

RESPONSIBLE DEPARTMENT: PLANNING AND MECHANICAL DESIGN
PLANNED BY: 2020.11.30
DESIGNED BY: BRYAN CHIEH DSI-WECH
APPROVED BY: [Signature]
SCALE: 1:5
ORIGINAL MODEL: SV-39369 (J11)
DESCRIPTION: 65 (X90J) EXTERIOR VIEW

SIZE: A1 UNIT: mm
PAGE NO.: [Blank]
SUFFIX: [Blank]
REV. NO.: [Blank]
SHEET/PAGES: 1 / 8

WITH STAND

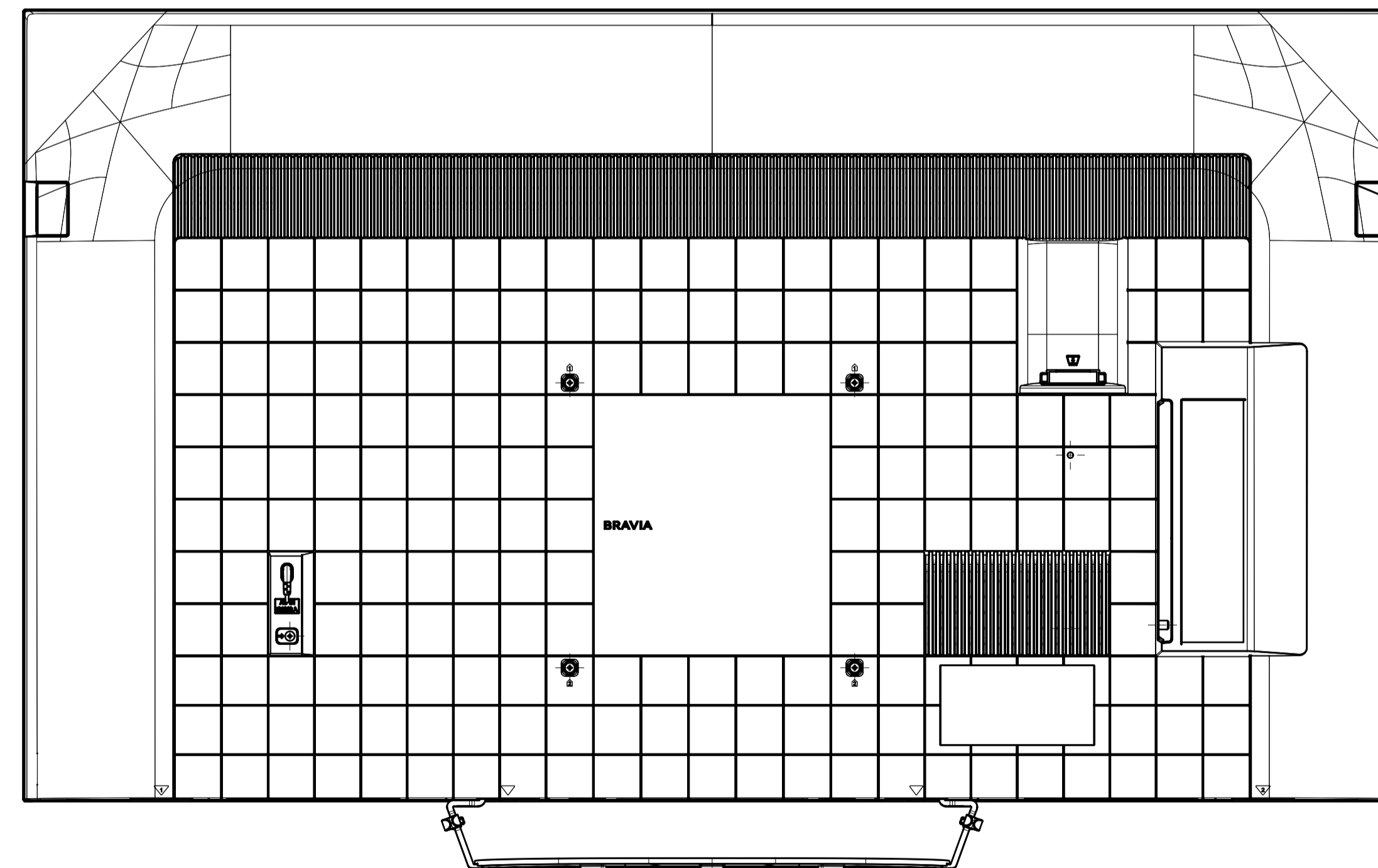
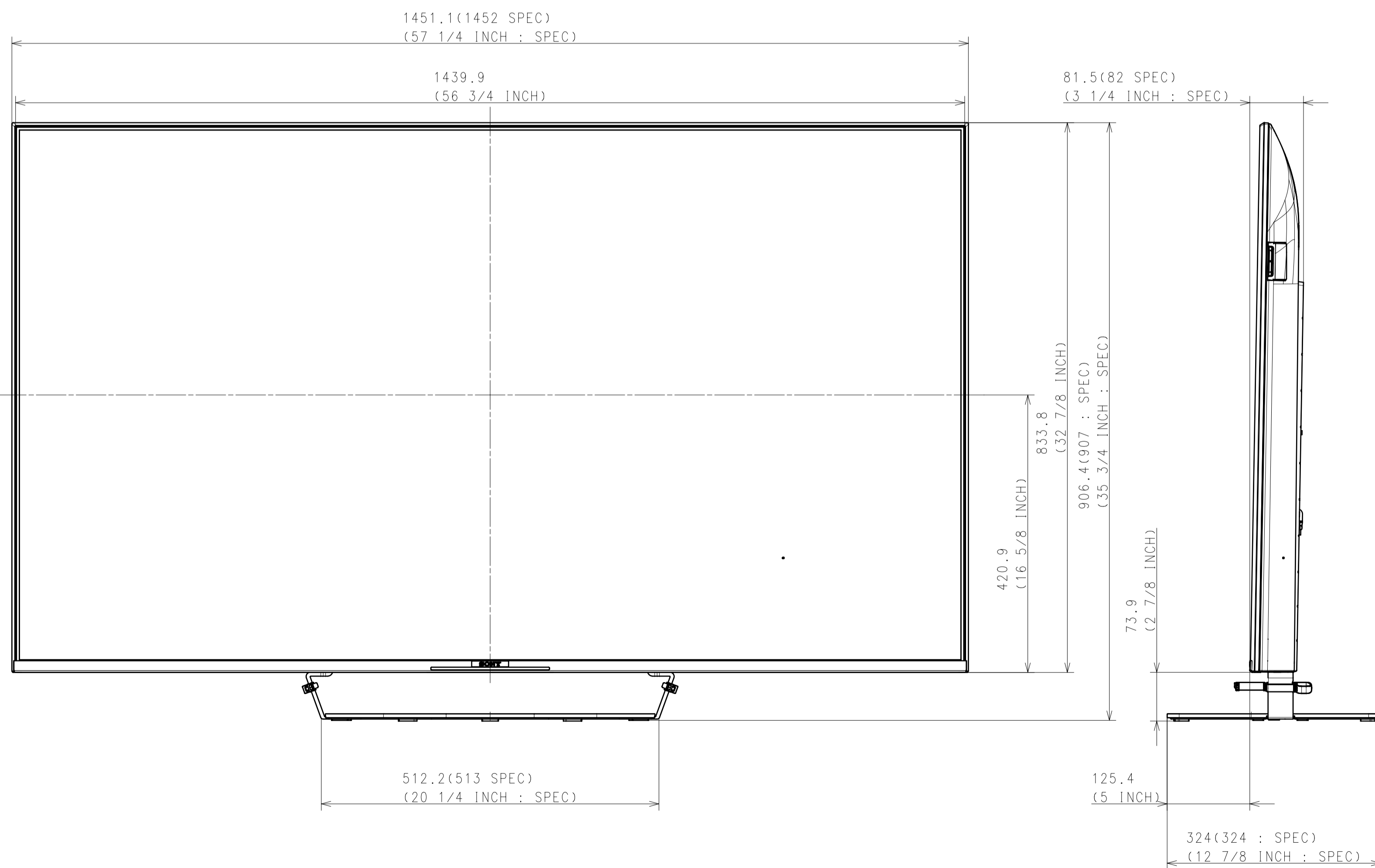
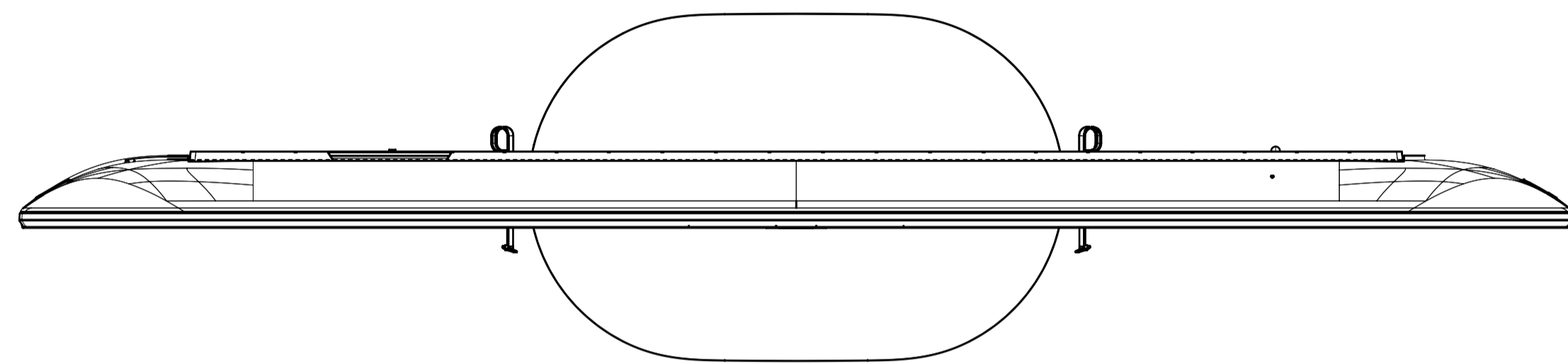
MAIN STAND (NARROW POSITION)
XR-65X90J (EUROPE) only



DESCRIPTION 1	LEGAL OWNER	SCALE
65 (X90J) EXTERIOR VIEW	Sony Corporation	1:5
DESCRIPTION 2	PART NO.	SHEET/PAGES
65 (X90J) EXTERIOR VIEW		5 / 8

WITH STAND

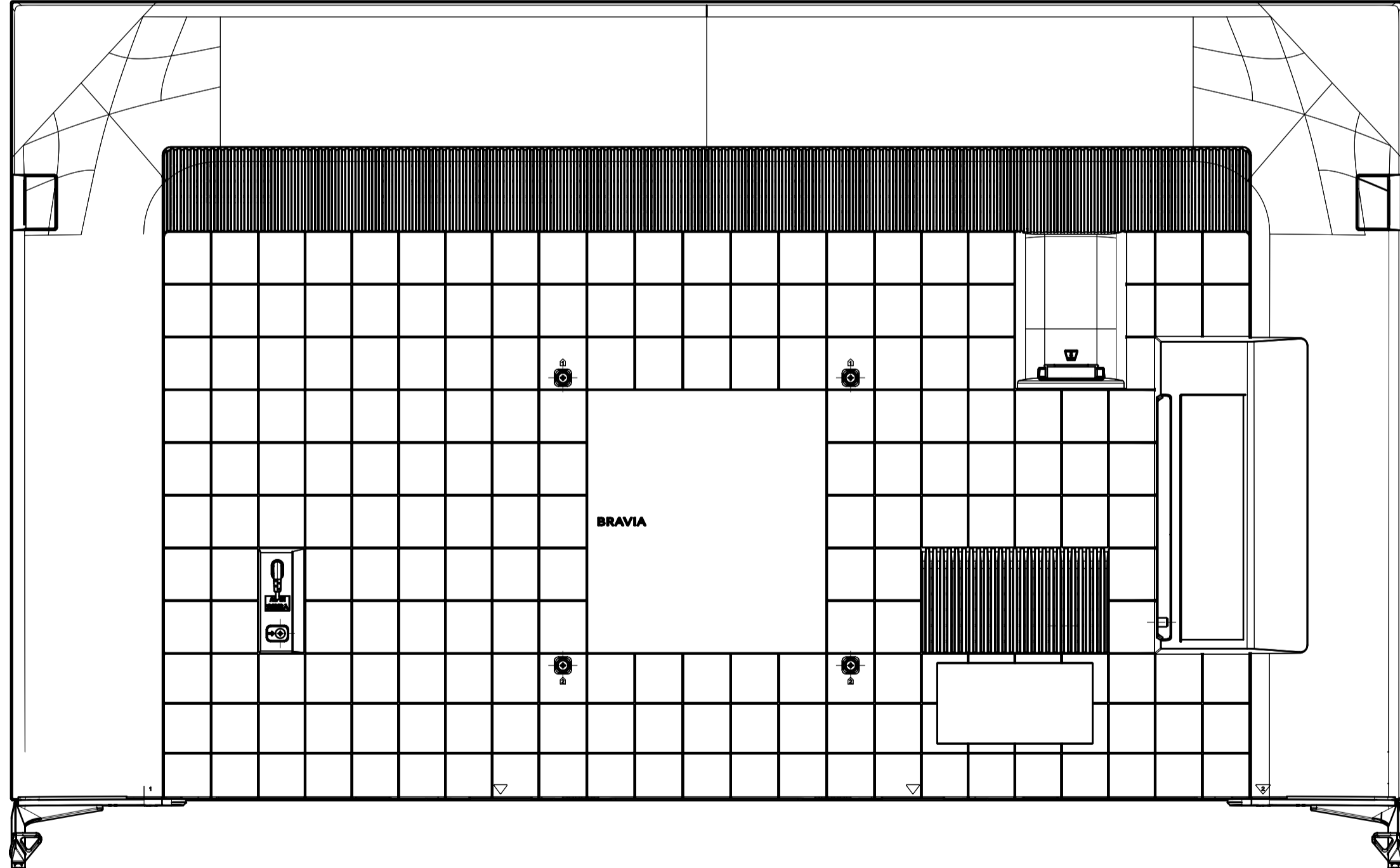
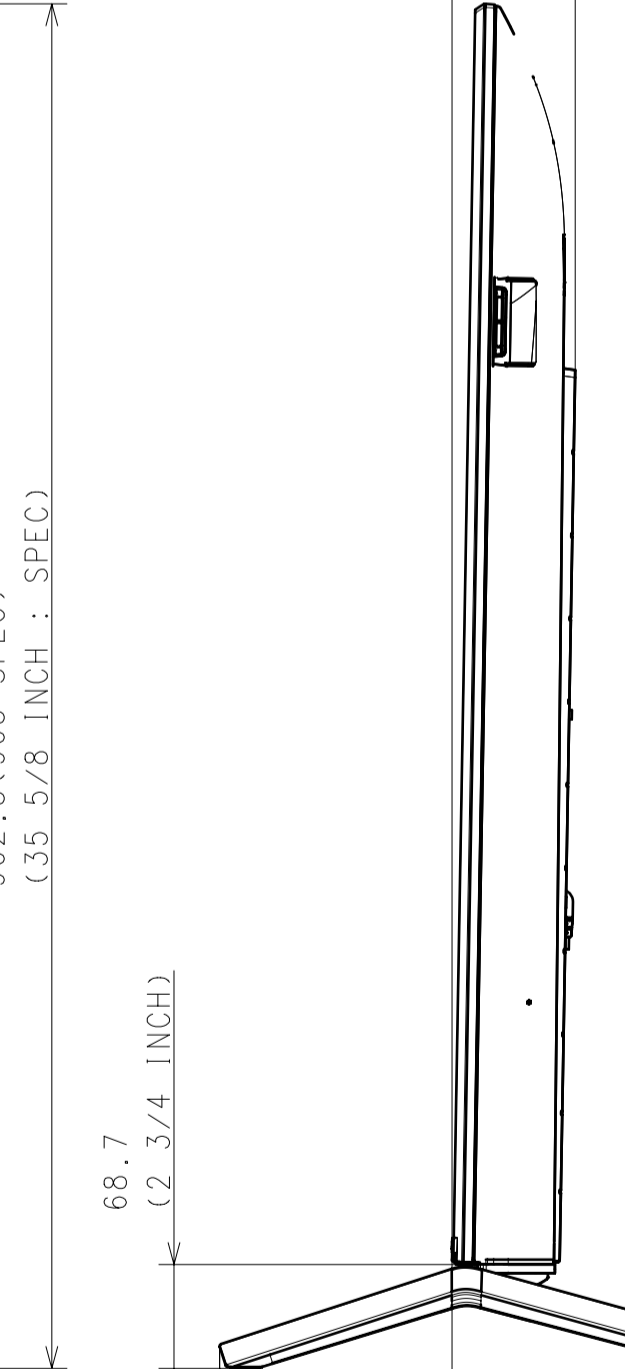
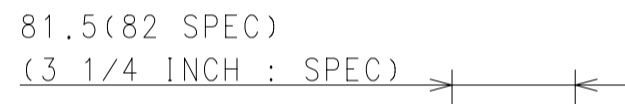
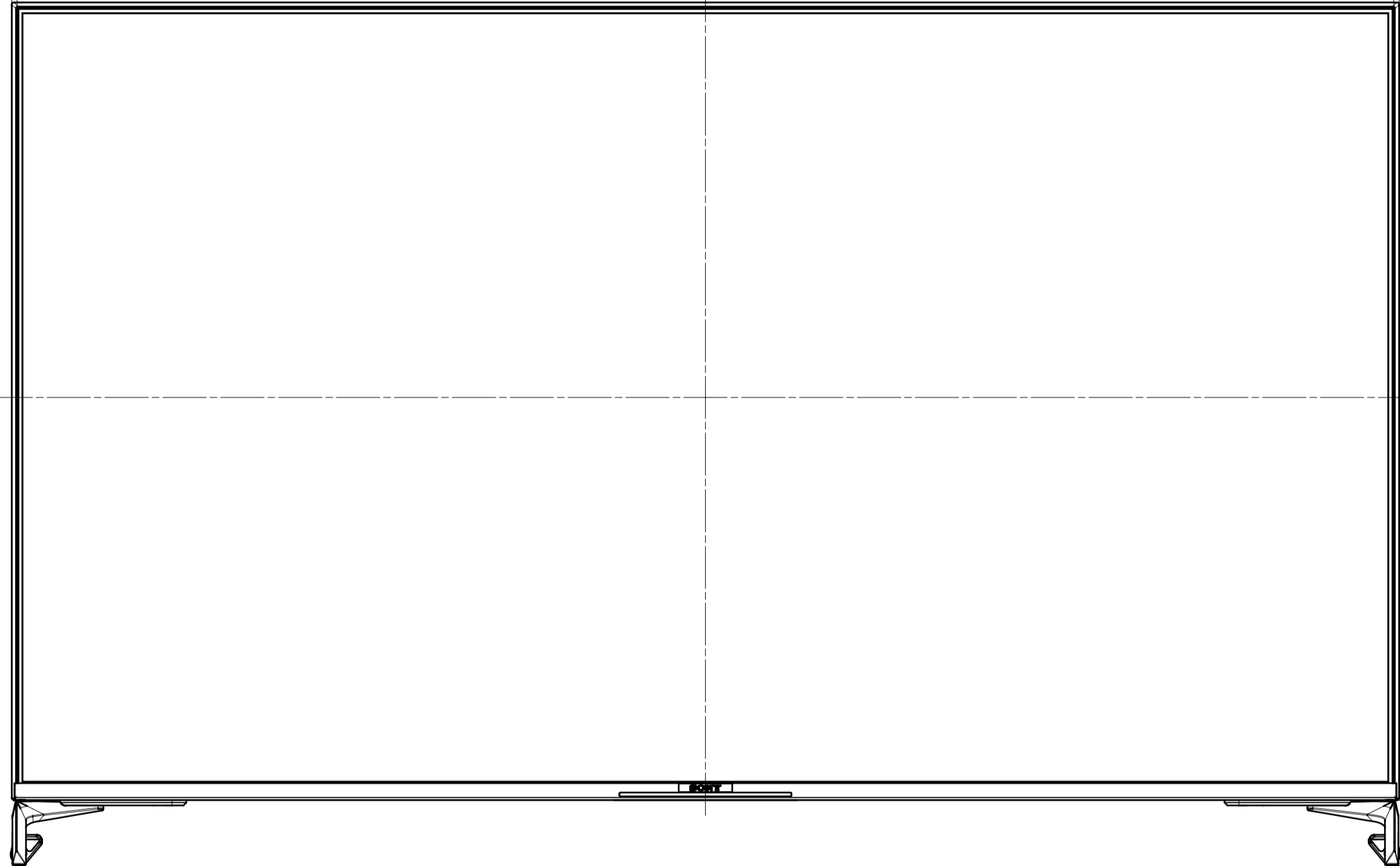
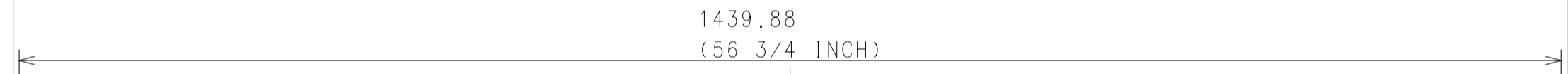
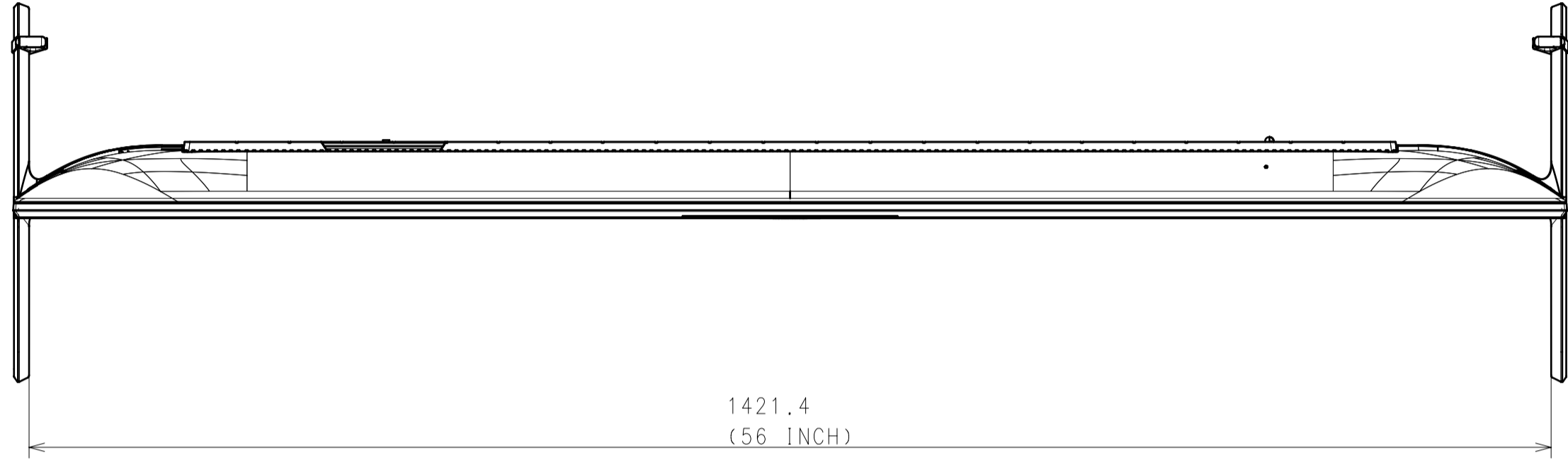
CENTER STAND (STANDARD POSITION)
XR-65X92J (EUROPE DERIVATIVE 1) only



DESCRIPTION	LEGAL OWNER	SCALE
65 (X90J) EXTERIOR VIEW	Sony Corporation	1:5
DESCRIPTION	PART NO.	SHEET/PAGES
65 (X90J) EXTERIOR VIEW		6 / 8

WITH STAND

PREMIUM EDGE STAND (STANDARD POSITION)
 XRJ-65X90J (JAPAN) &
 XR-65X94J (EUROPE DERIVATIVE 2) only



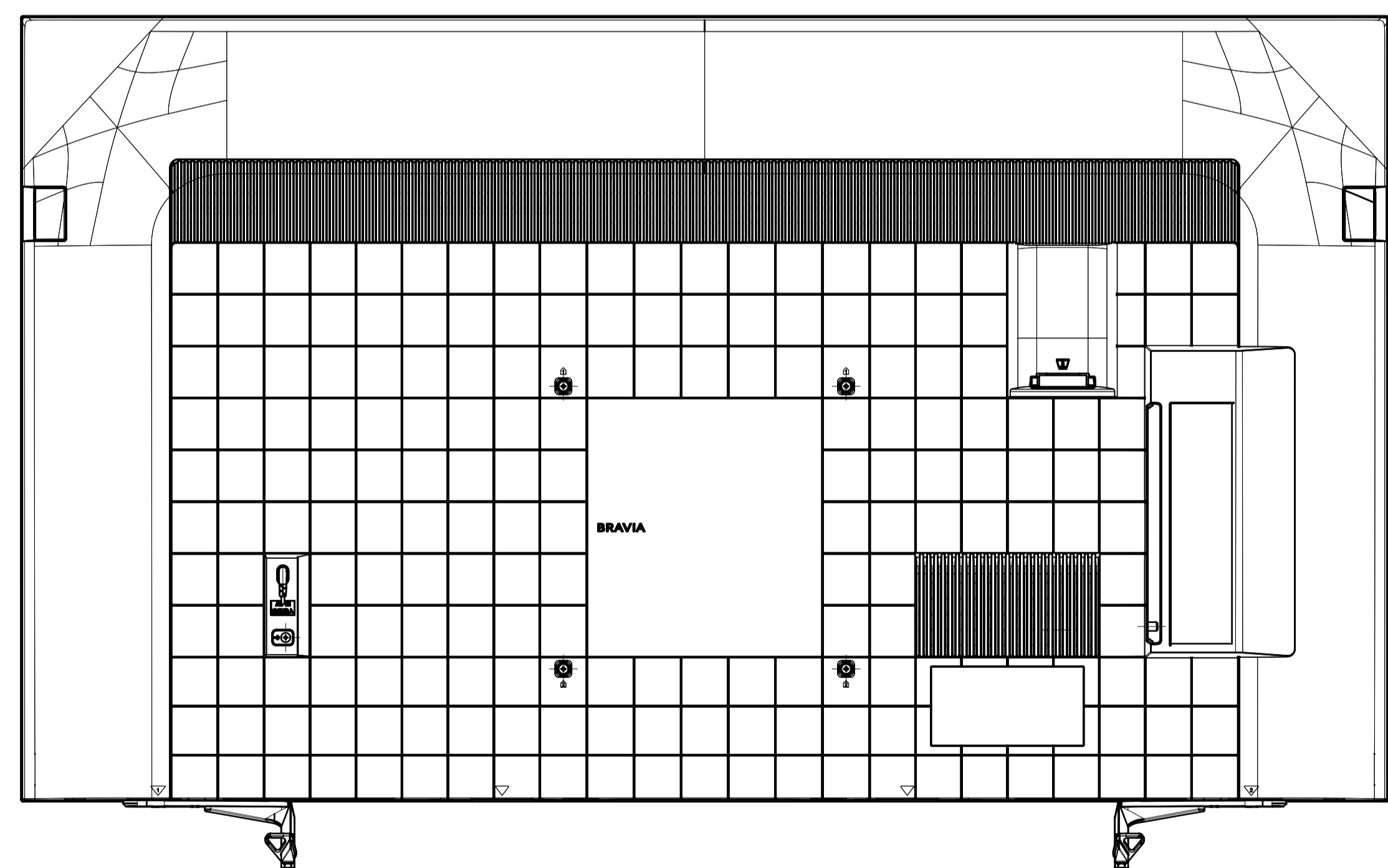
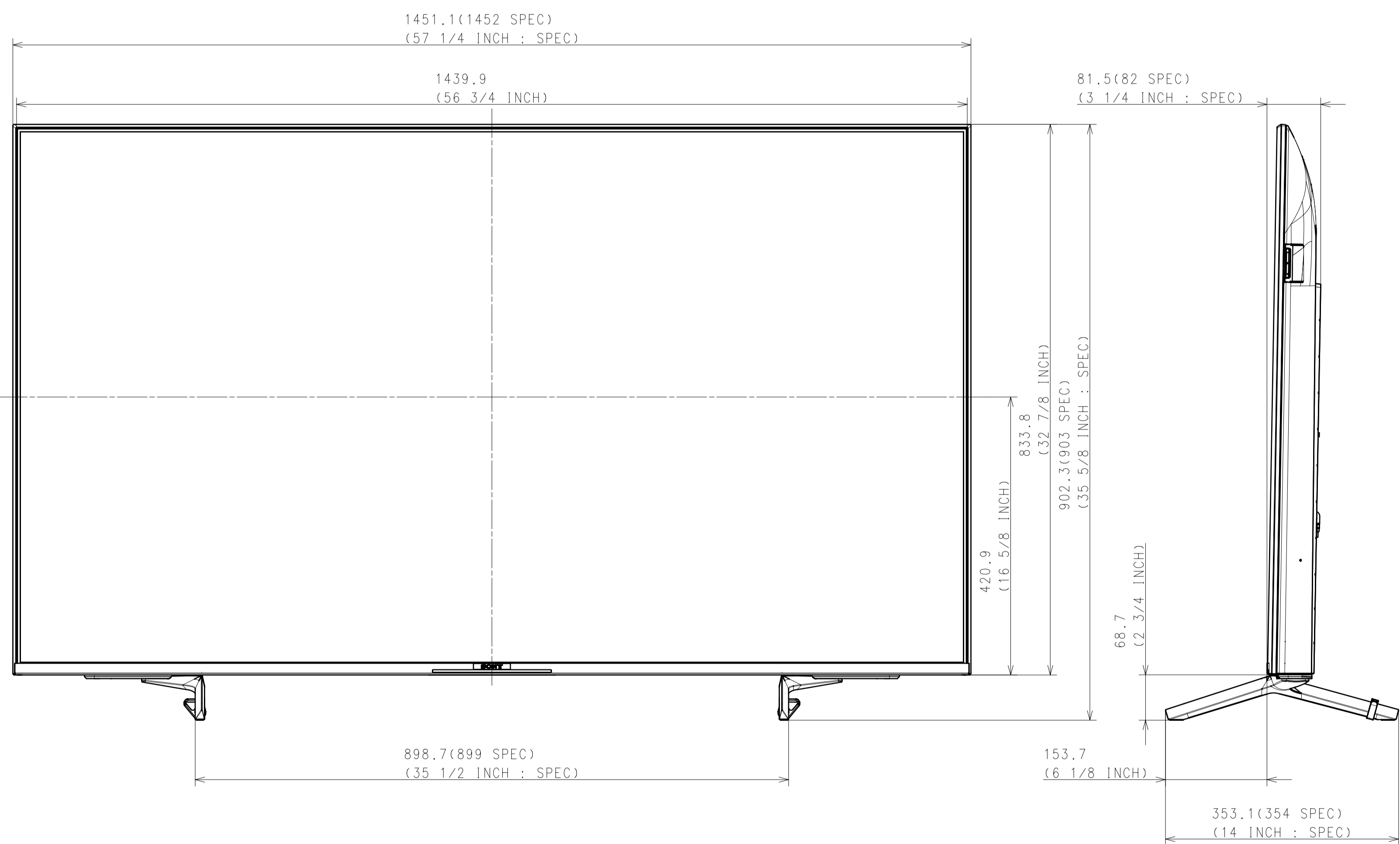
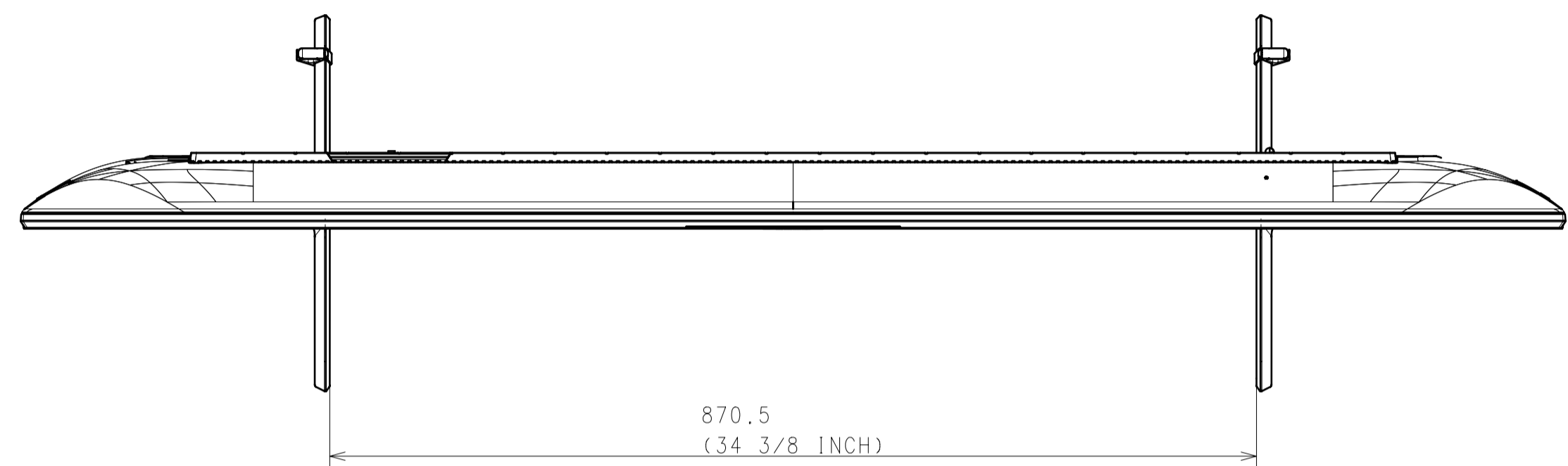
DRAWING

SONY STANDARD

DESCRIPTION 1	LEGAL OWNER	SCALE
65 (X90J) EXTERIOR VIEW	Sony Corporation	1:5
DESCRIPTION 2	PART NO.	SHEET/PAGES
65 (X90J) EXTERIOR VIEW		7 / 8

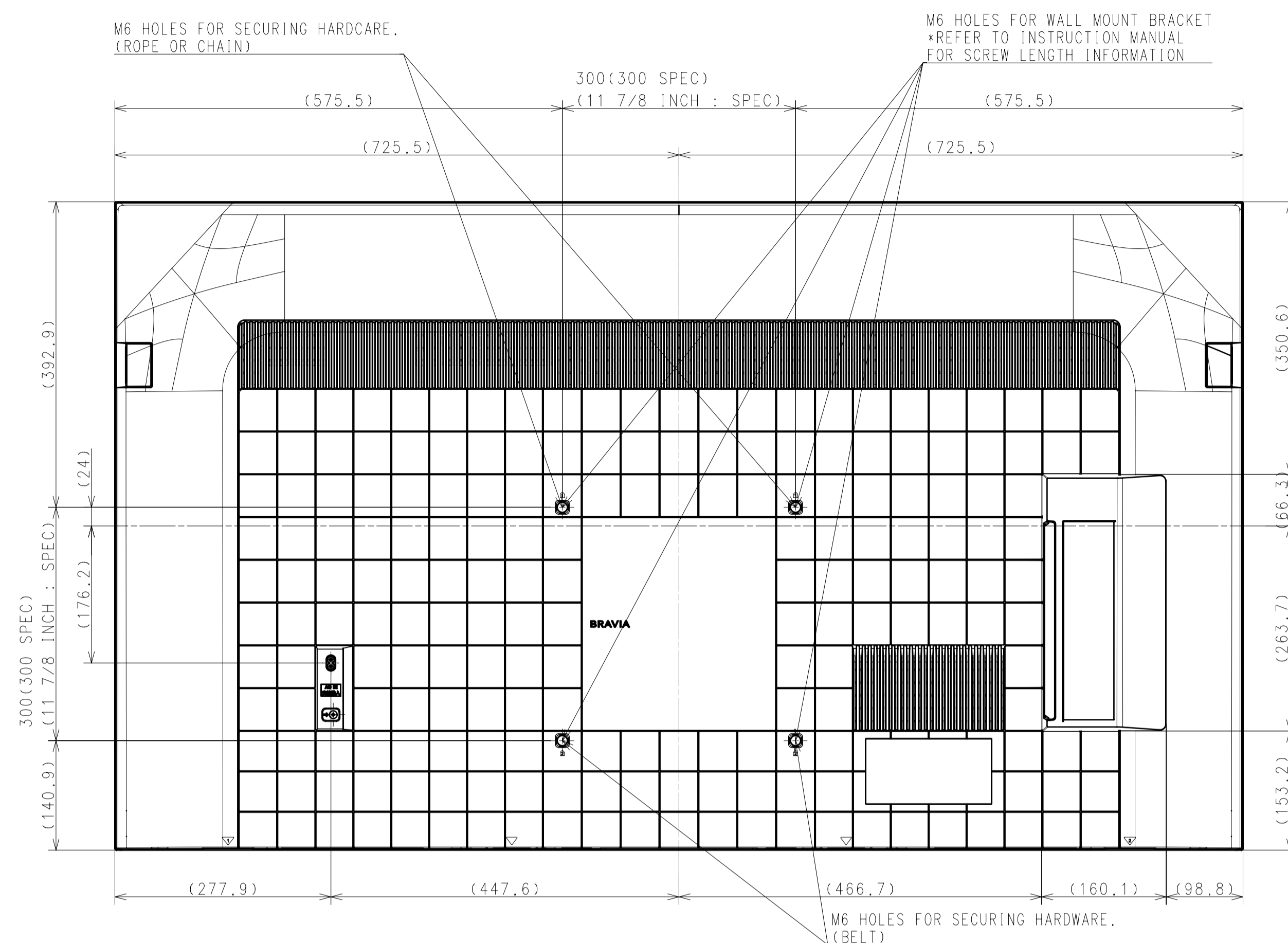
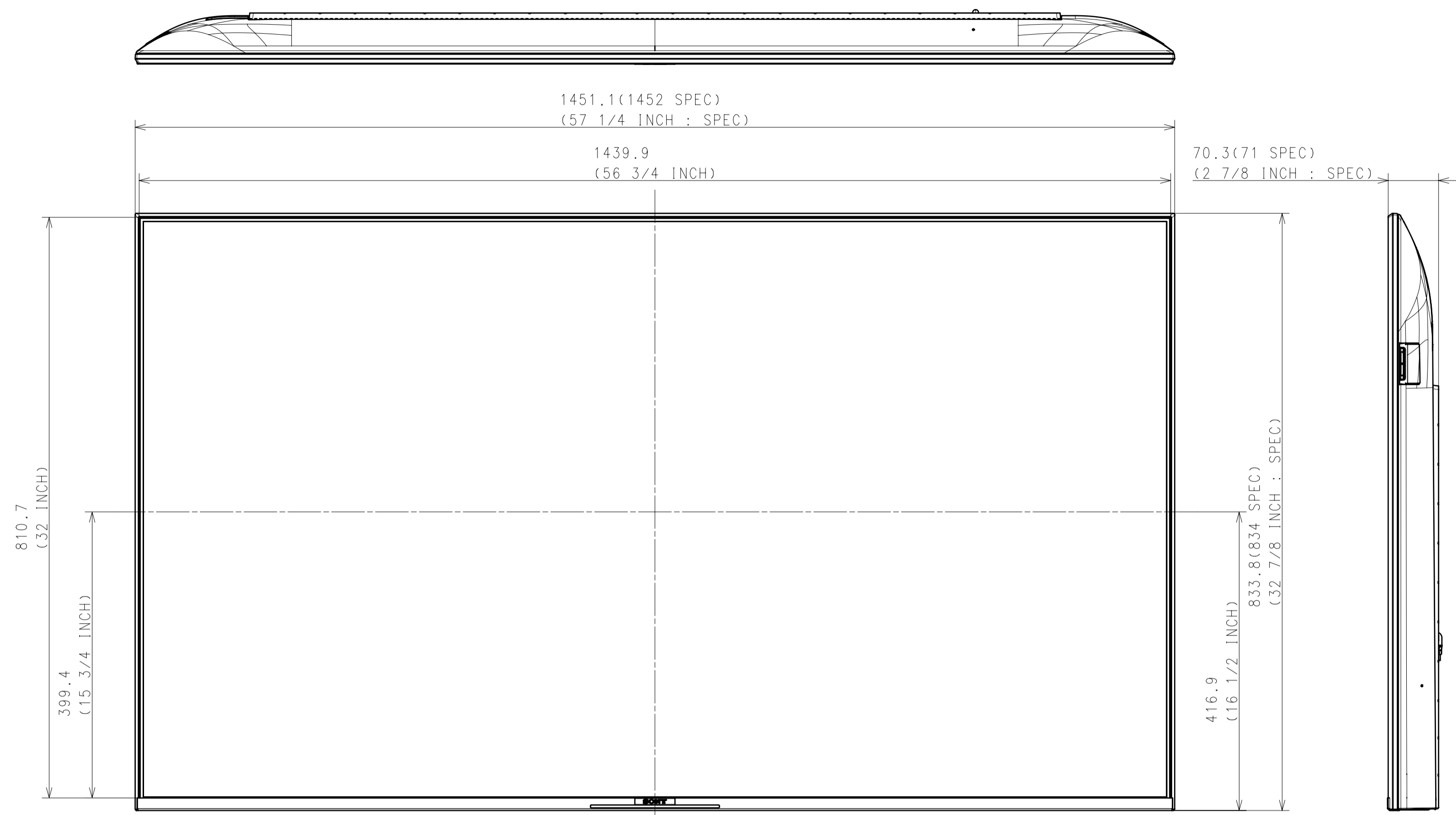
WITH STAND

PREMIUM EDGE STAND (NARROW POSITION)
 XRJ-65X90J (JAPAN) &
 Δ XR-65X94J (EUROPE DERIVATIVE 2) only

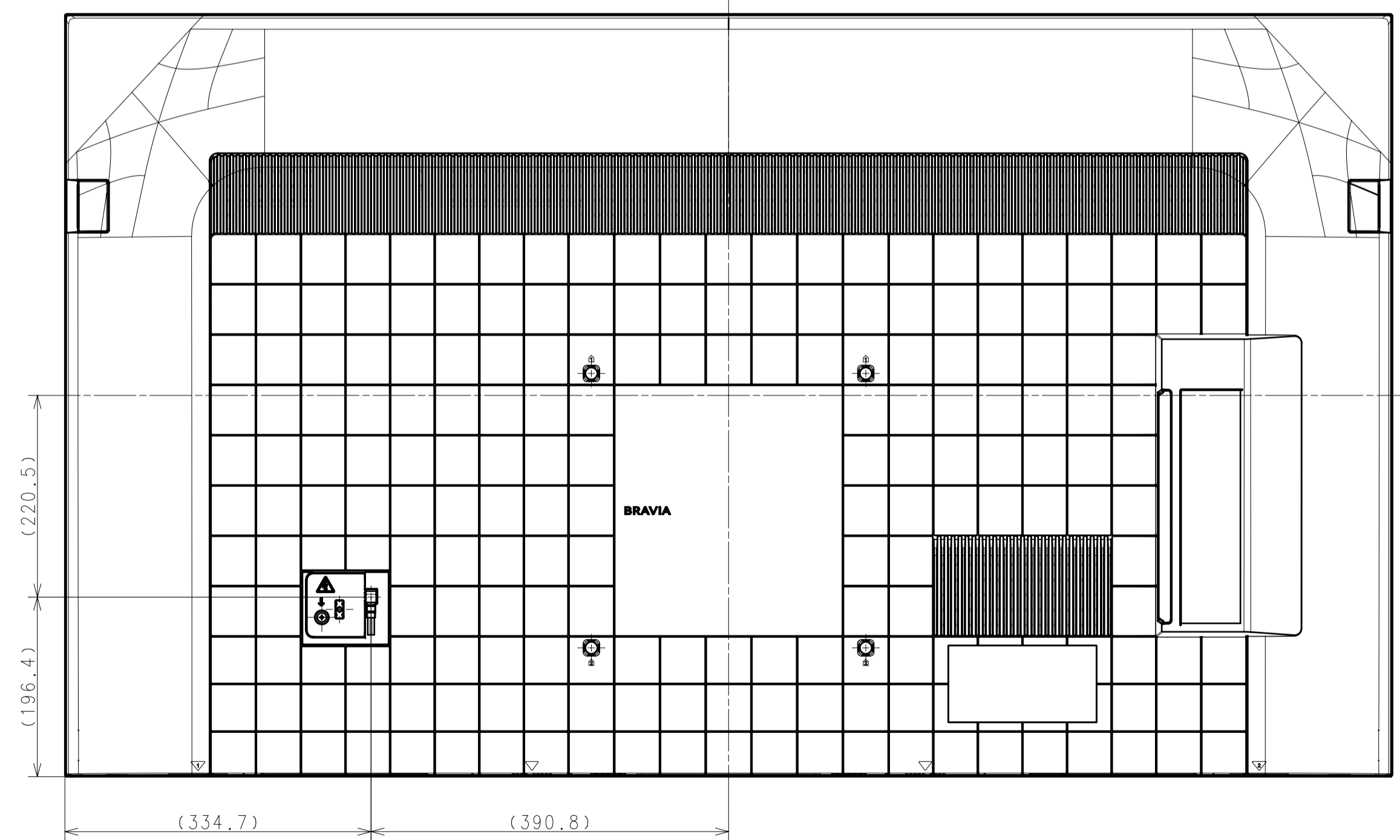


DESCRIPTION	LEGAL OWNER	SCALE
65 (X90J) EXTERIOR VIEW	Sony Corporation	1:5
DESCRIPTION	PART NO.	SHEET/PAGES
65 (X90J) EXTERIOR VIEW		8 / 8

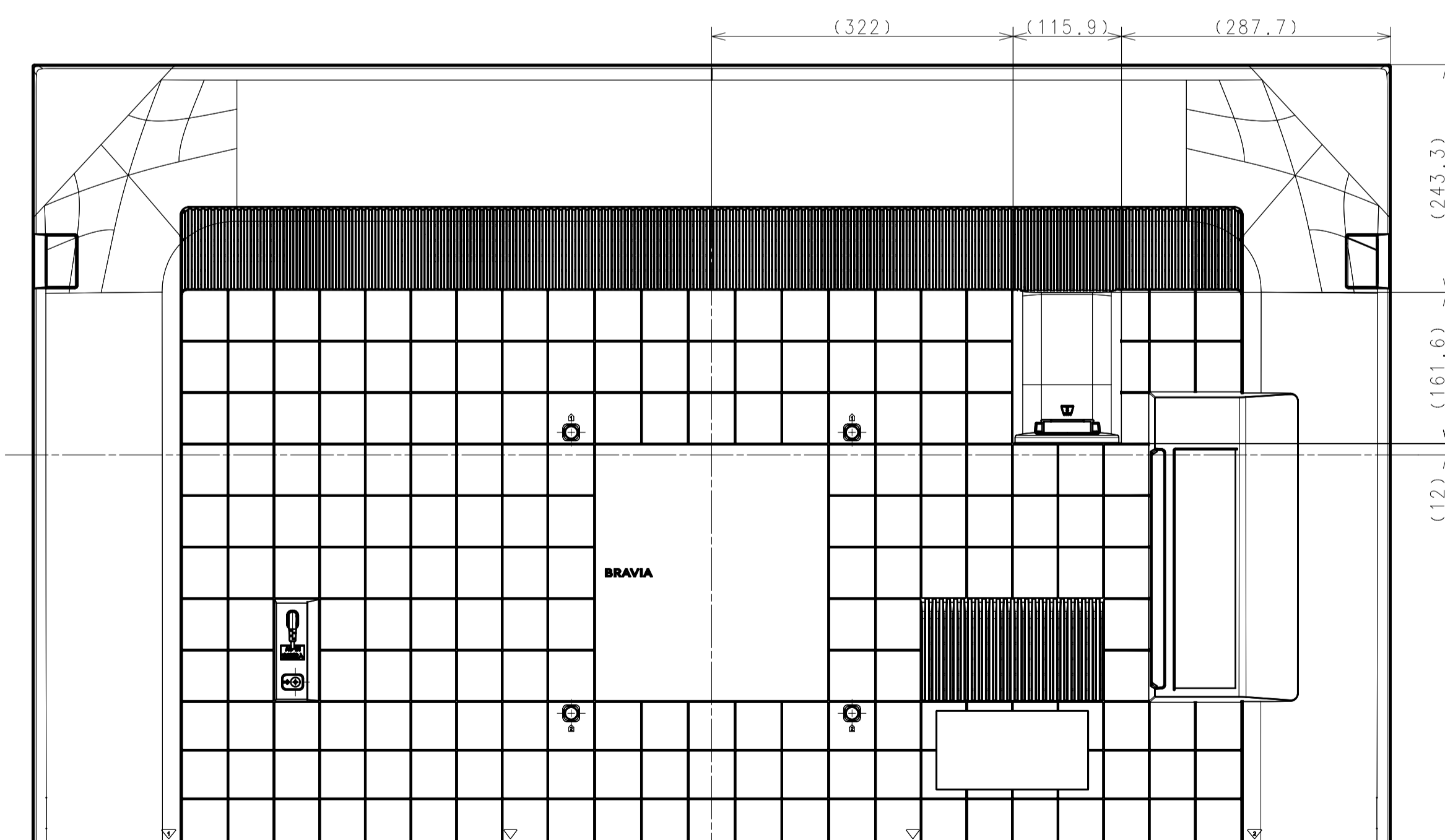
WITHOUT STAND



For. NORTH AMERICA, GENERAL AREA, CHINA



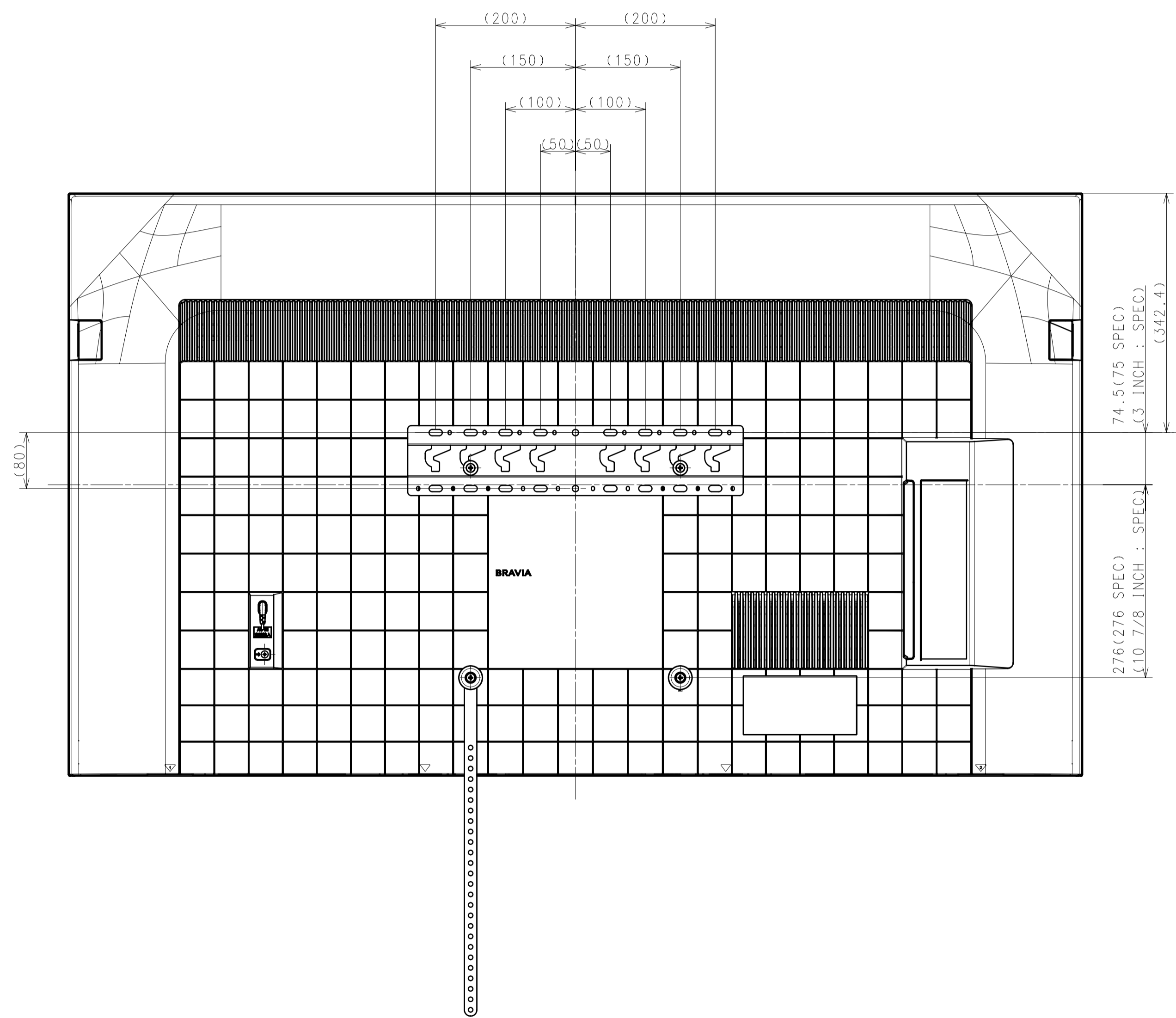
For. JAPAN, LATIN AMERICA



For. EUROPE

DESCRIPTION 65 (X90J) EXTERIOR VIEW	LEGAL OWNER Sony Corporation	SCALE 1:5
DESCRIPTION 65 (X90J) EXTERIOR VIEW	PART NO.	SHEET/PAGES 2 / 8

SU-WL450

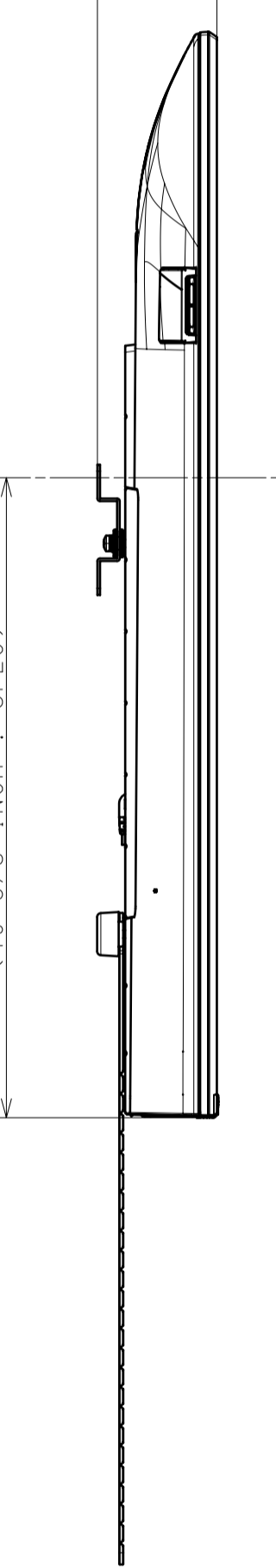
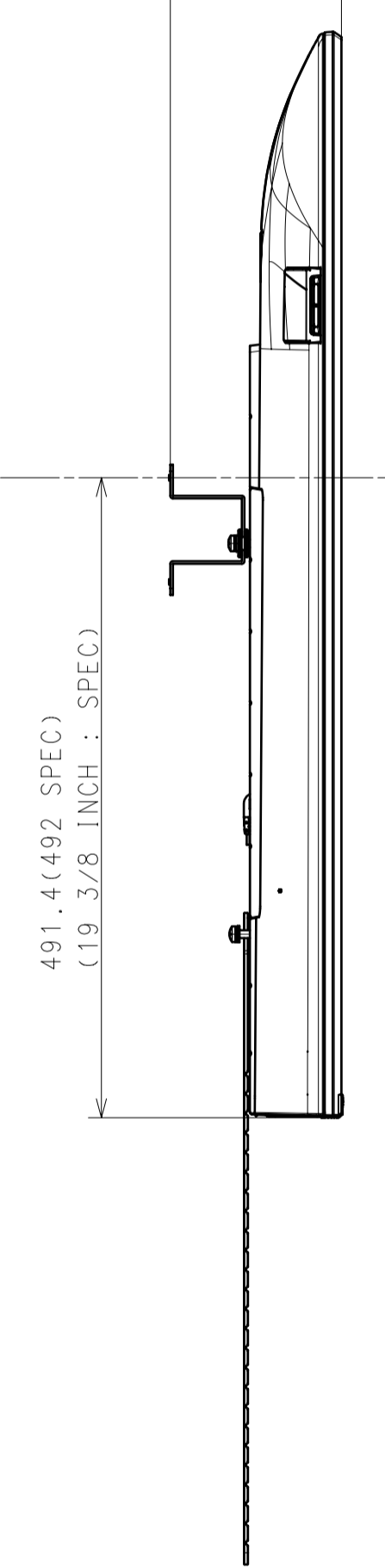


STANDARD

SLIM

131.4(132 SPEC)
(5 1/4 INCH : SPEC)

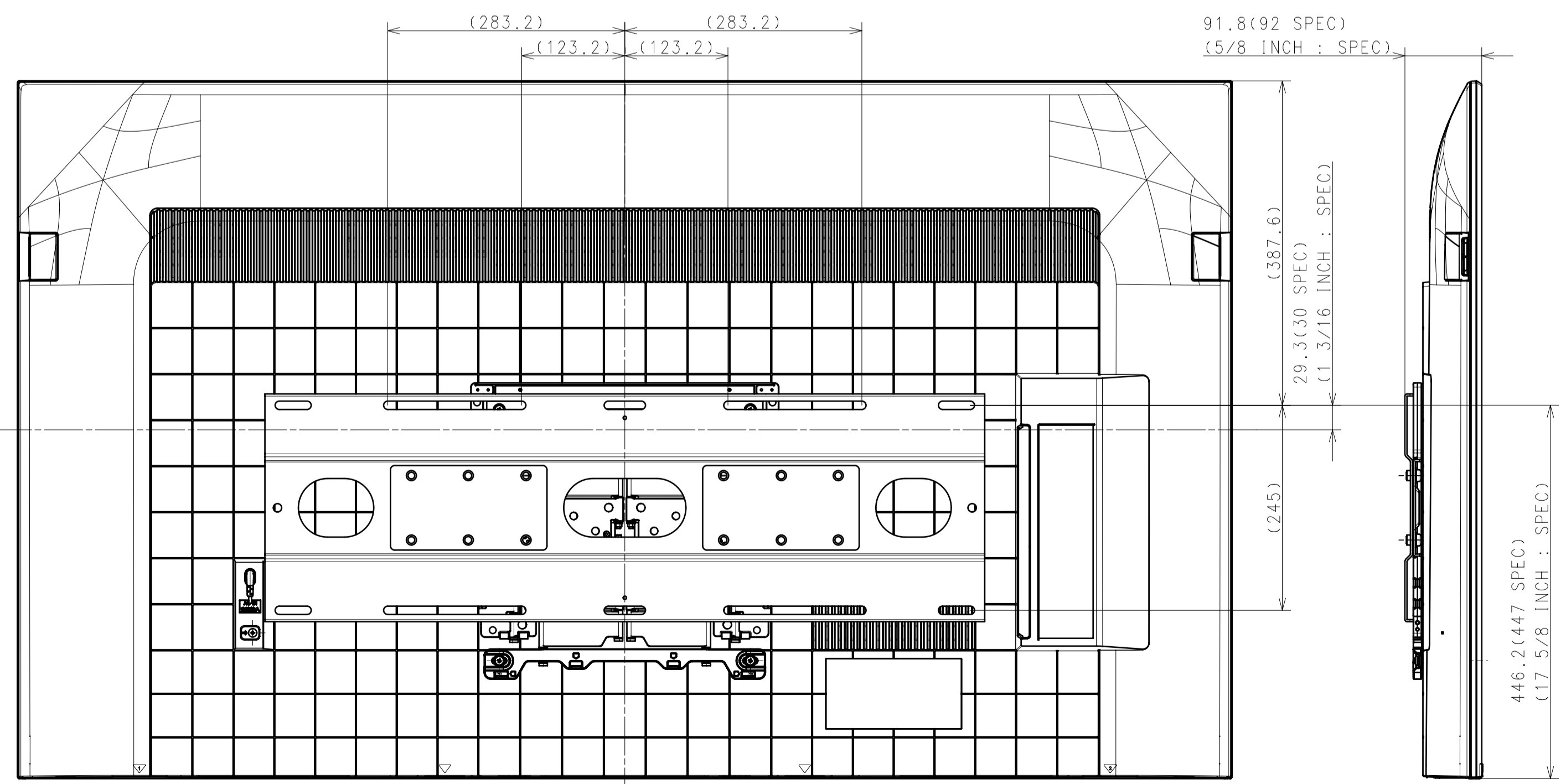
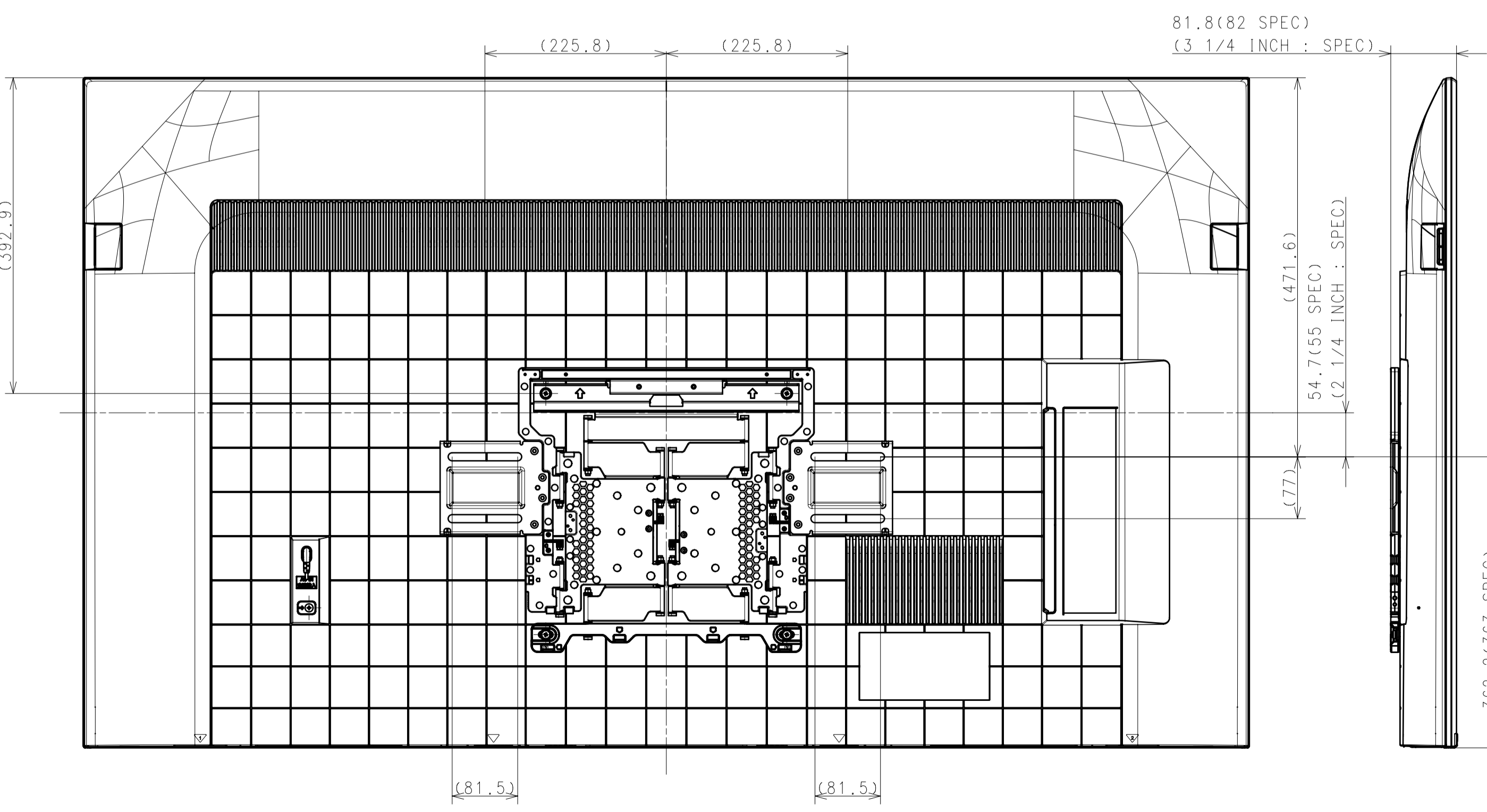
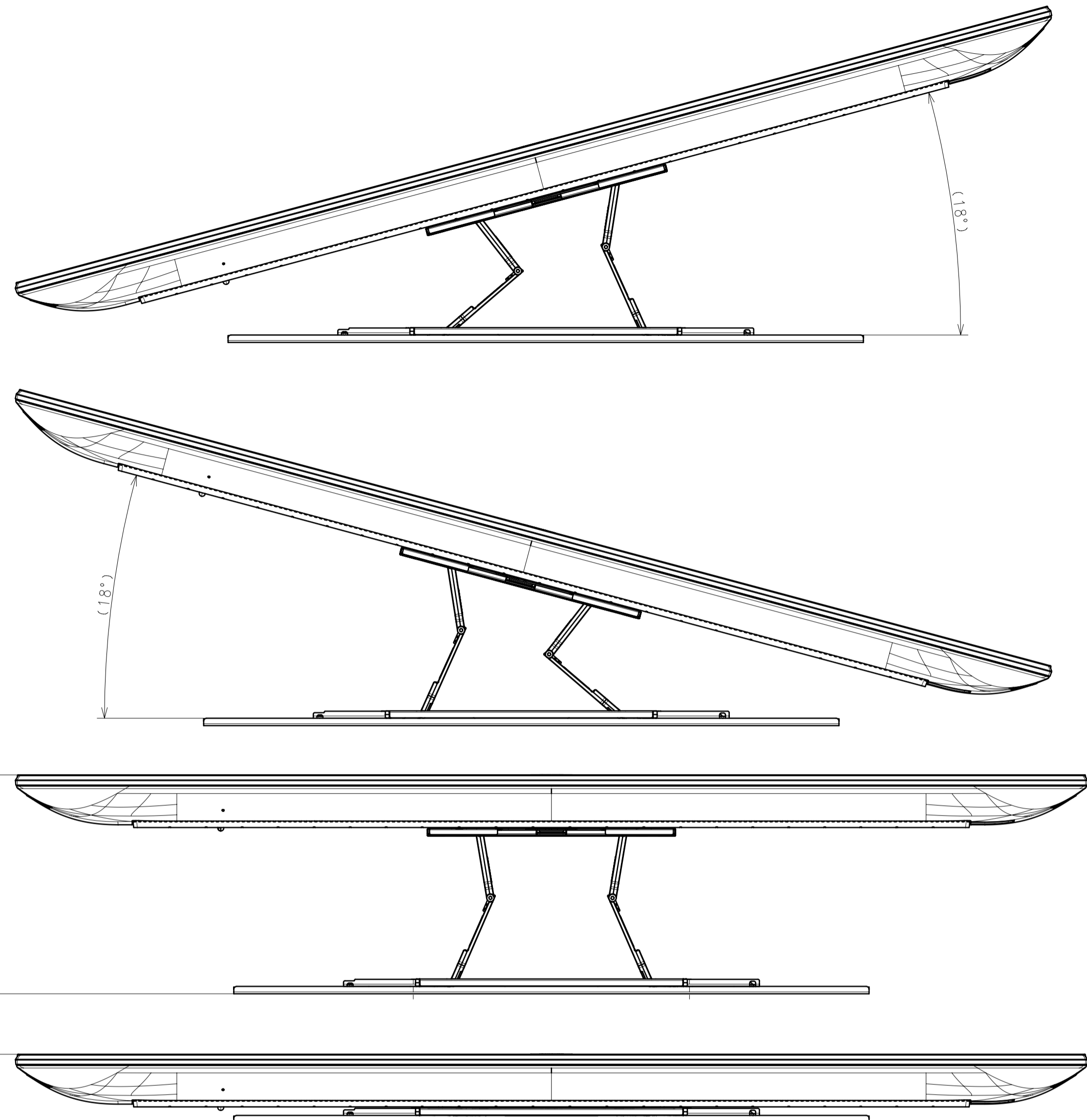
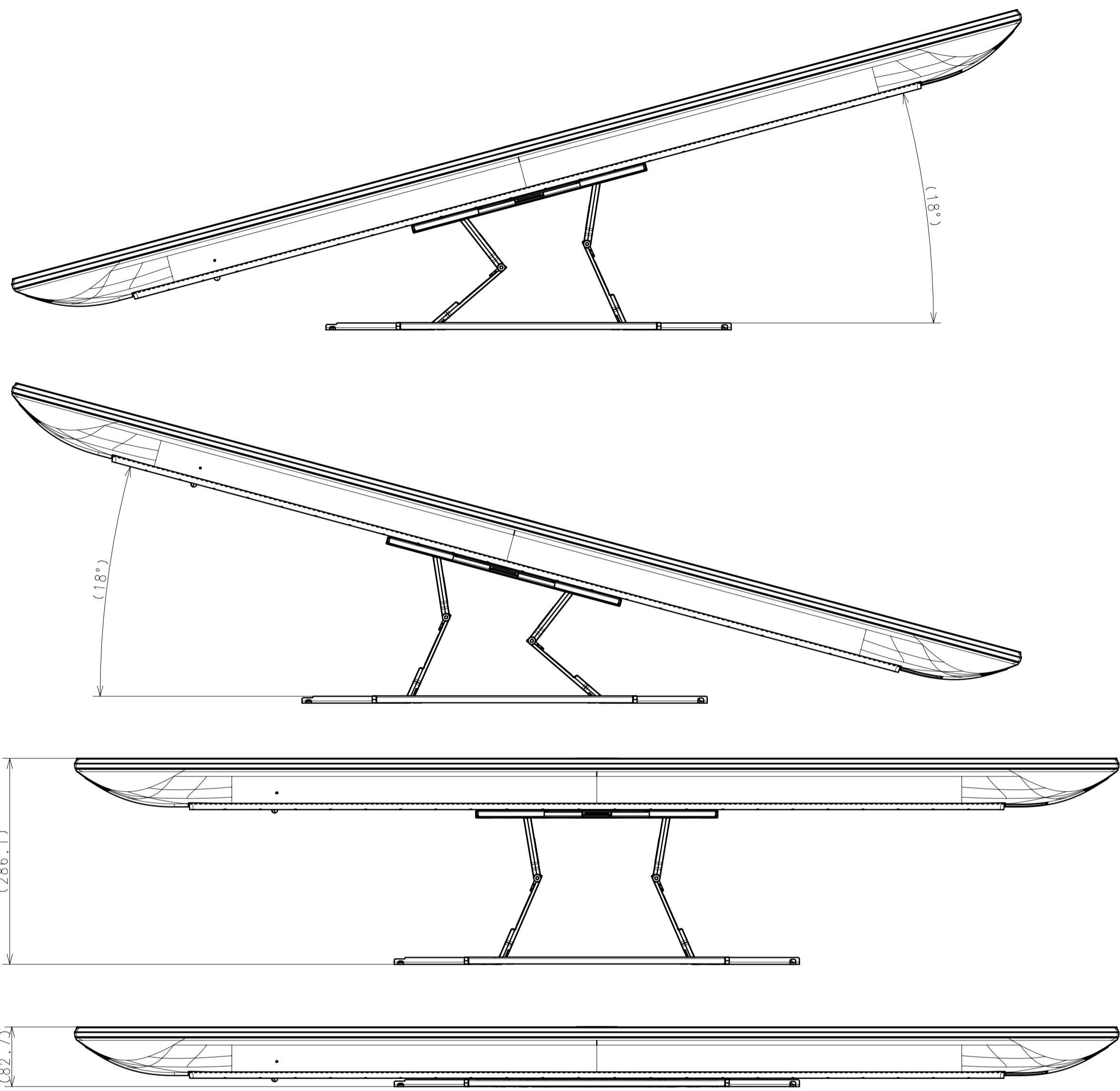
91.6(92 SPEC)
(3 5/8 INCH : SPEC)



DESCRIPTION	LEGAL OWNER	SCALE
65 (X90J) EXTERIOR VIEW	Sony Corporation	1:5
DESCRIPTION	PART NO.	SHEET/PAGES
65 (X90J) EXTERIOR VIEW		3 / 8

SU-WL850

SU-WL855 WITH LATERAL SHAFT BRACKET



DESCRIPTION 1 65 (X90J) EXTERIOR VIEW	LEGAL OWNER Sony Corporation	SCALE 1:5
DESCRIPTION 2 65 (X90J) EXTERIOR VIEW	PART NO.	SHEET/PAGES 4 / 8