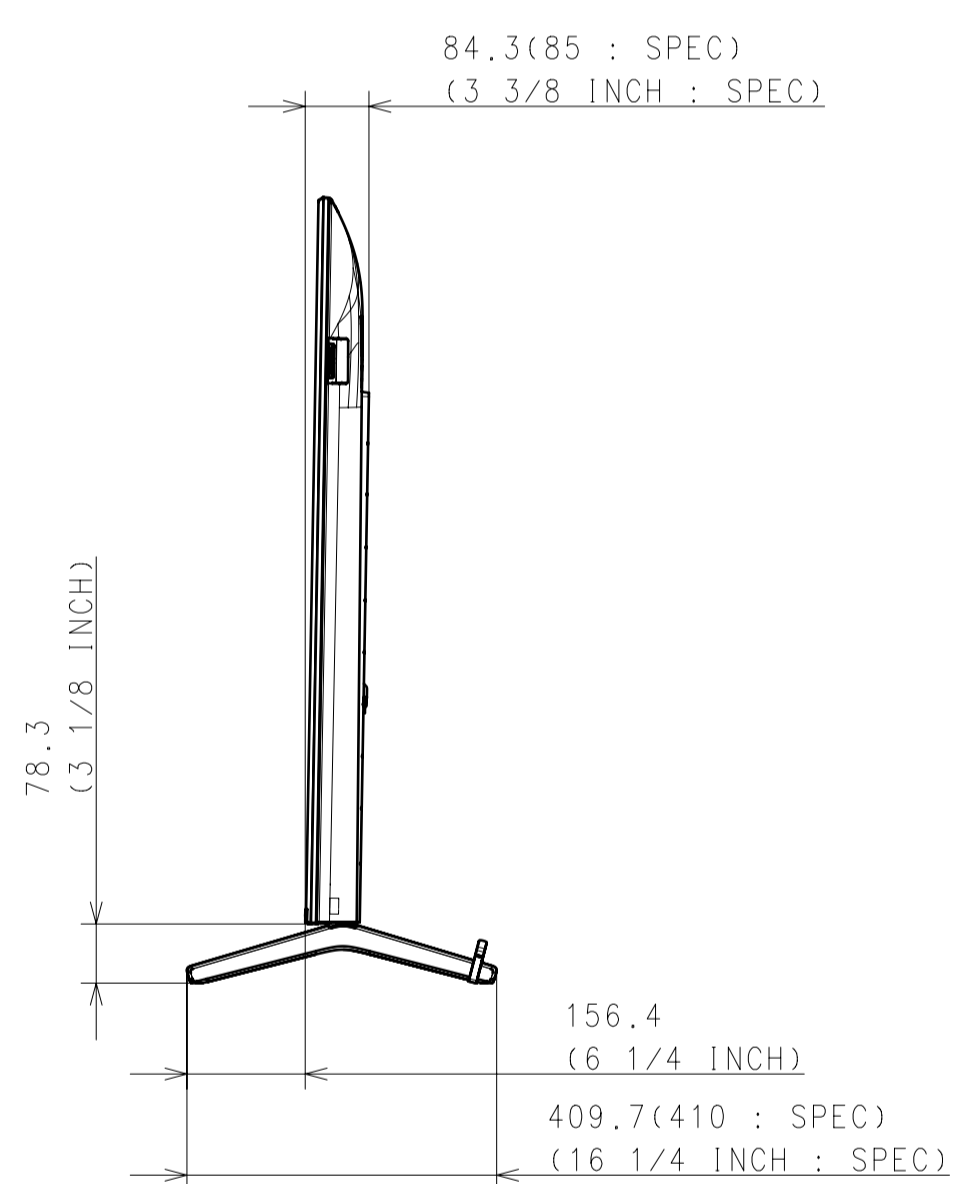
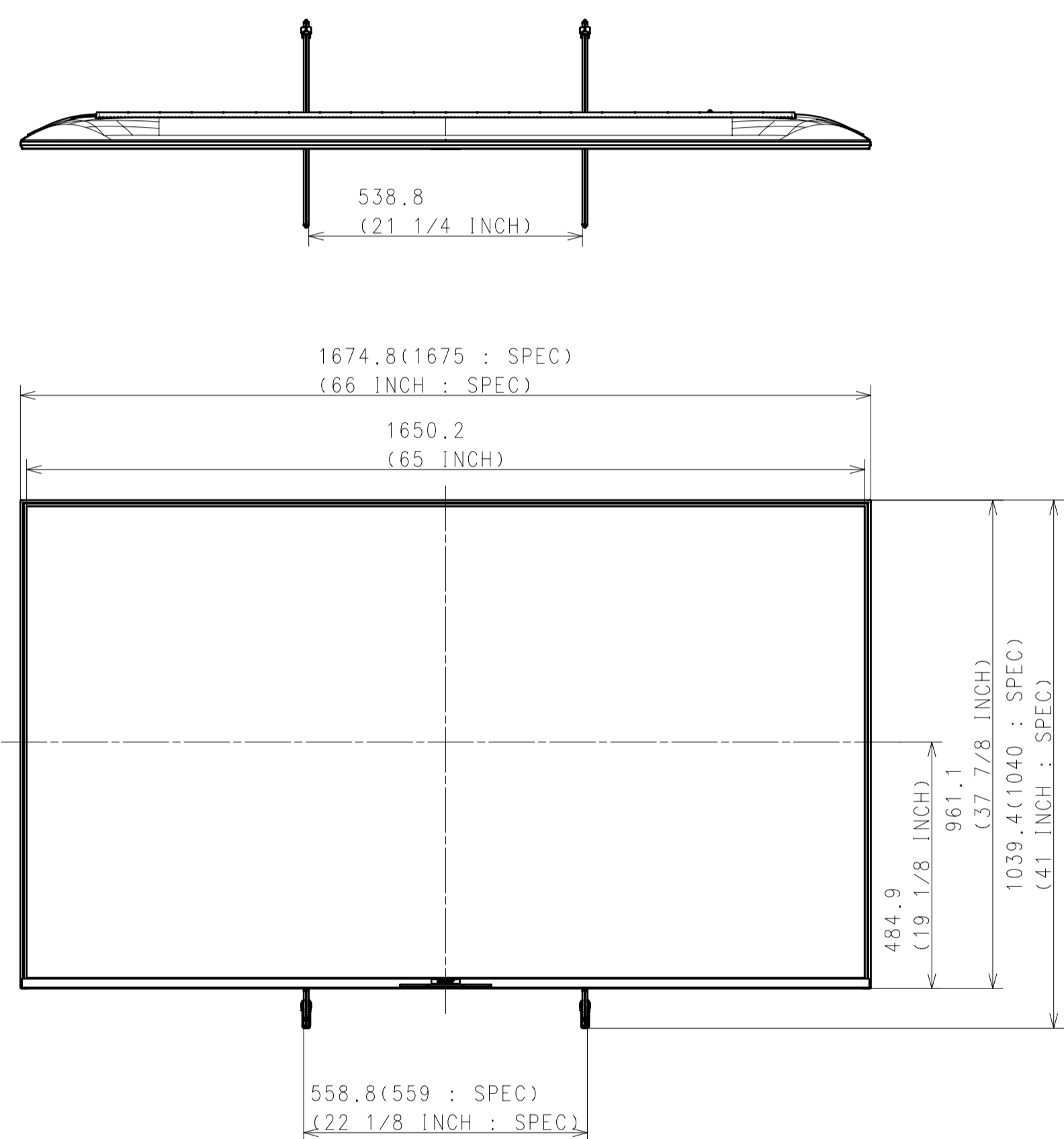




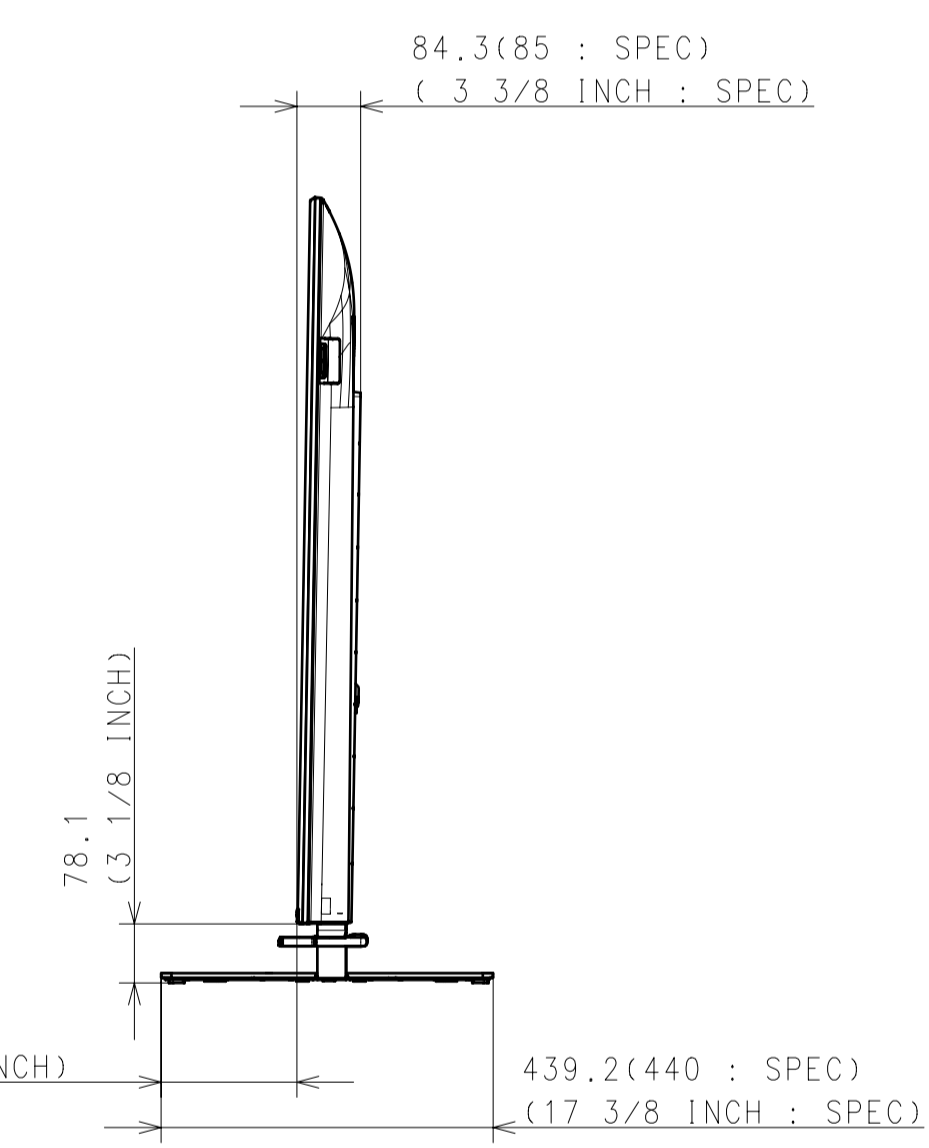
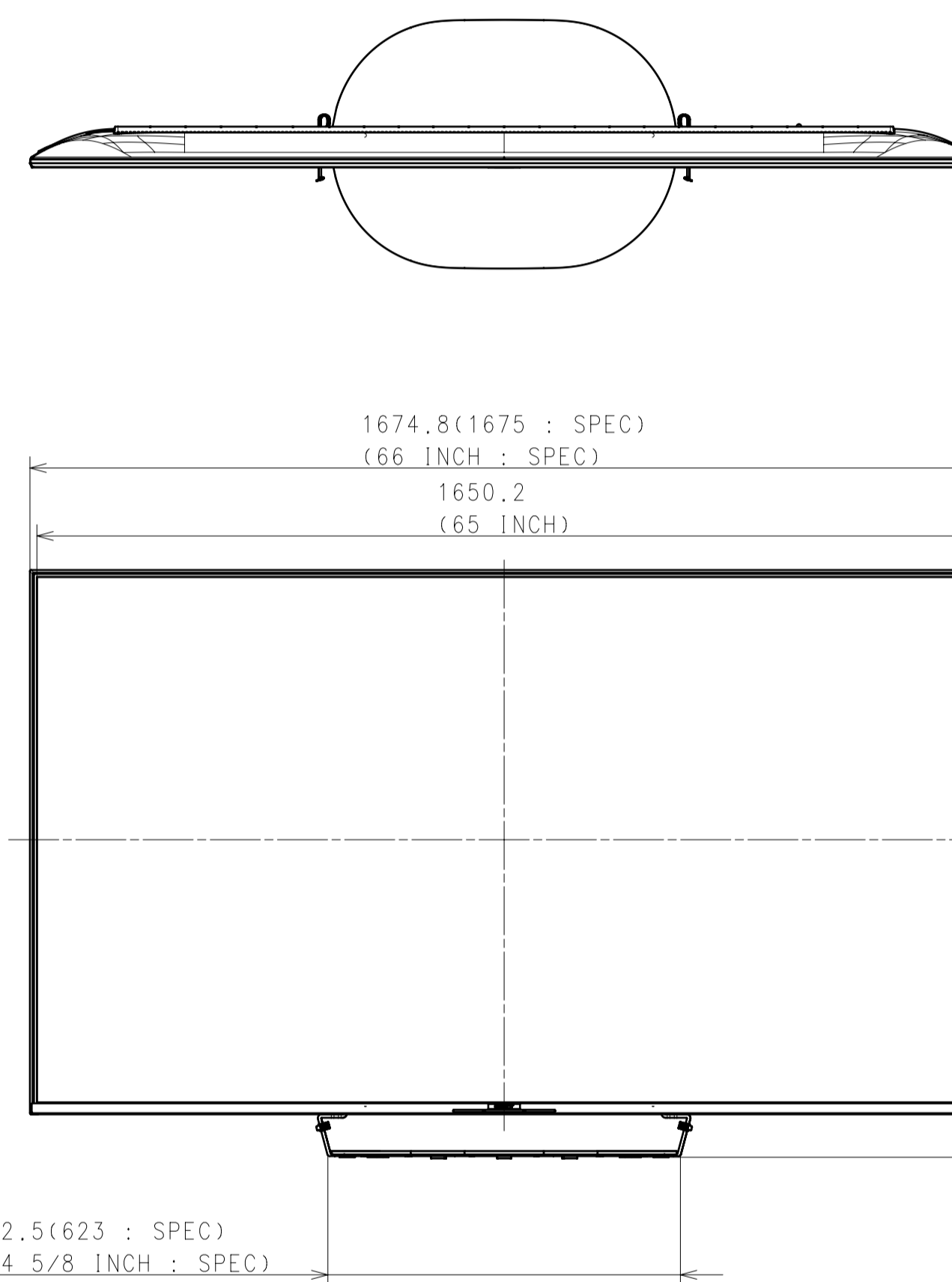
WITH STAND

MAIN STAND (NARROW POSITION)  
XR-75X90J (EUROPE) only



WITH STAND

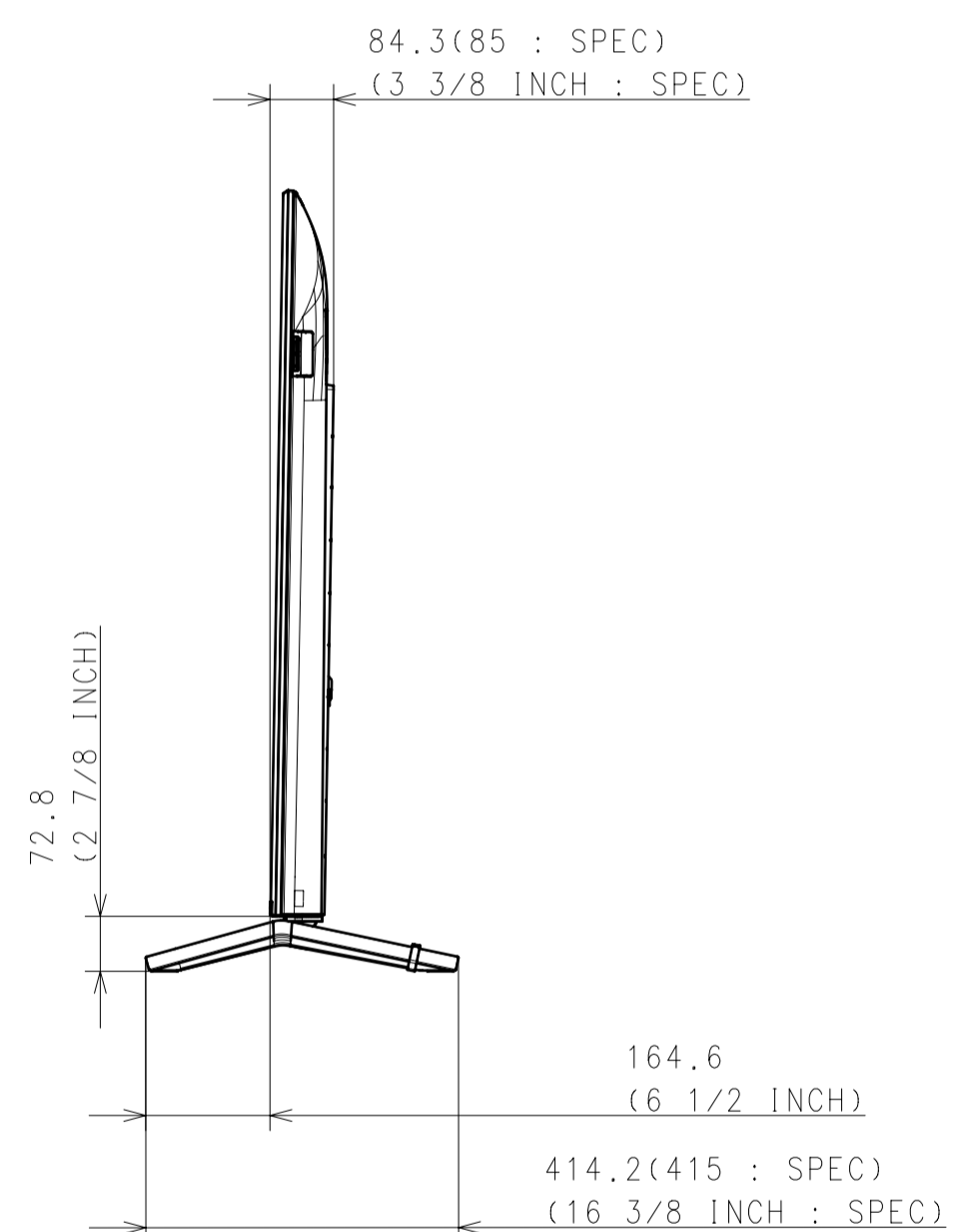
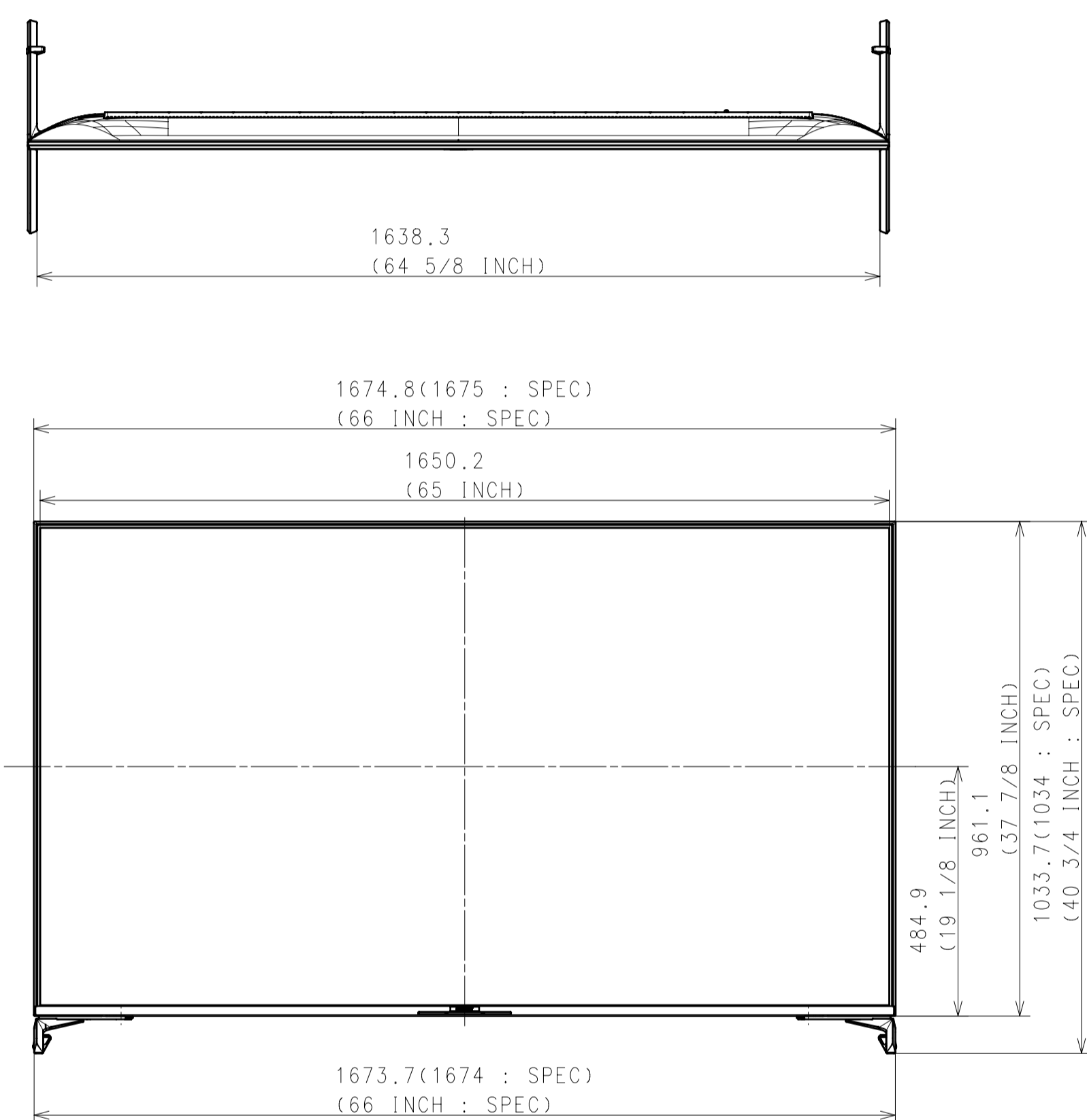
CENTER STAND (STANDARD POSITION)  
XR-75X92J (EUROPE DERIVATIVE 1) only



DESCRIPTION 1	LEGAL OWNER	SCALE
75 (X90J) EXTERIOR VIEW	Sony Corporation	1:1
DESCRIPTION 2	PART NO.	SHEET/PAGES
75 (X90J) EXTERIOR VIEW		2 / 6

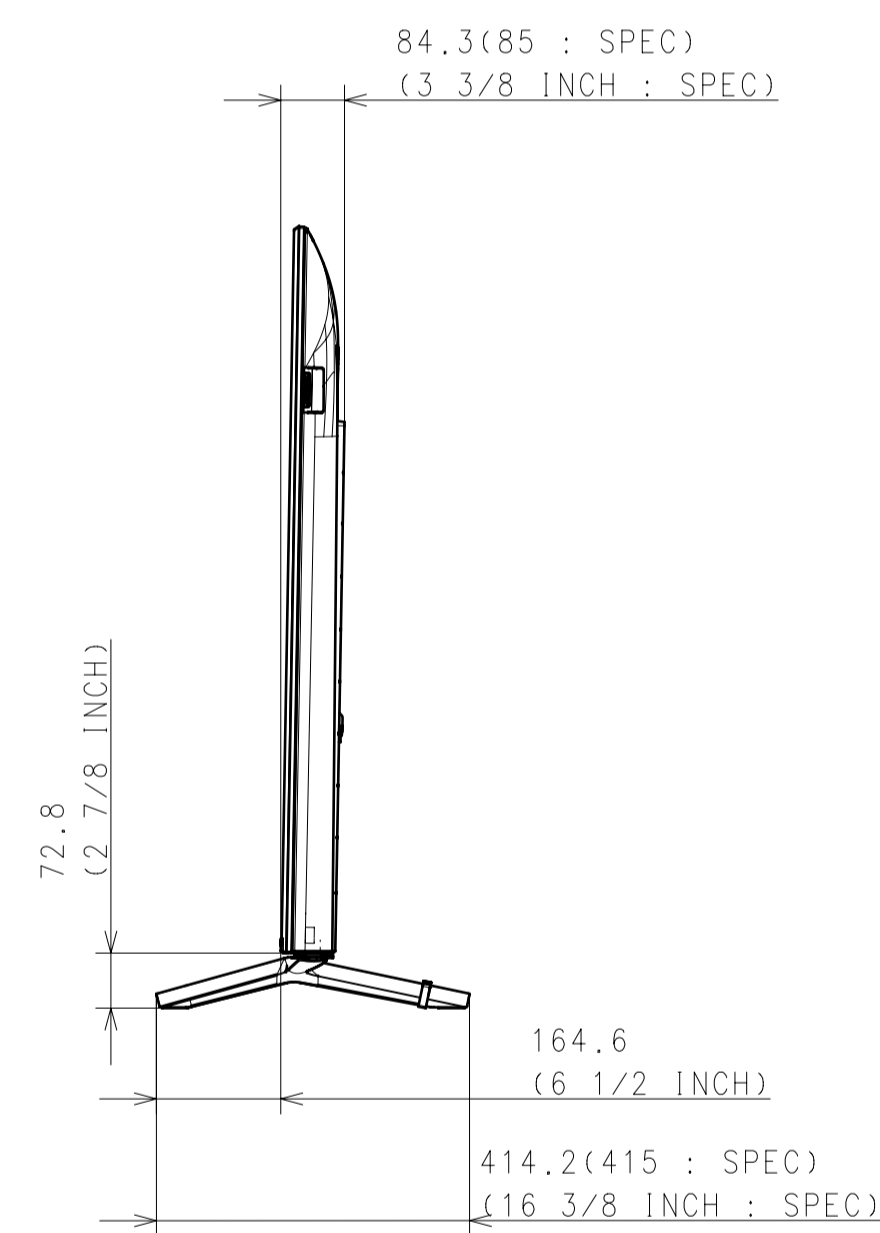
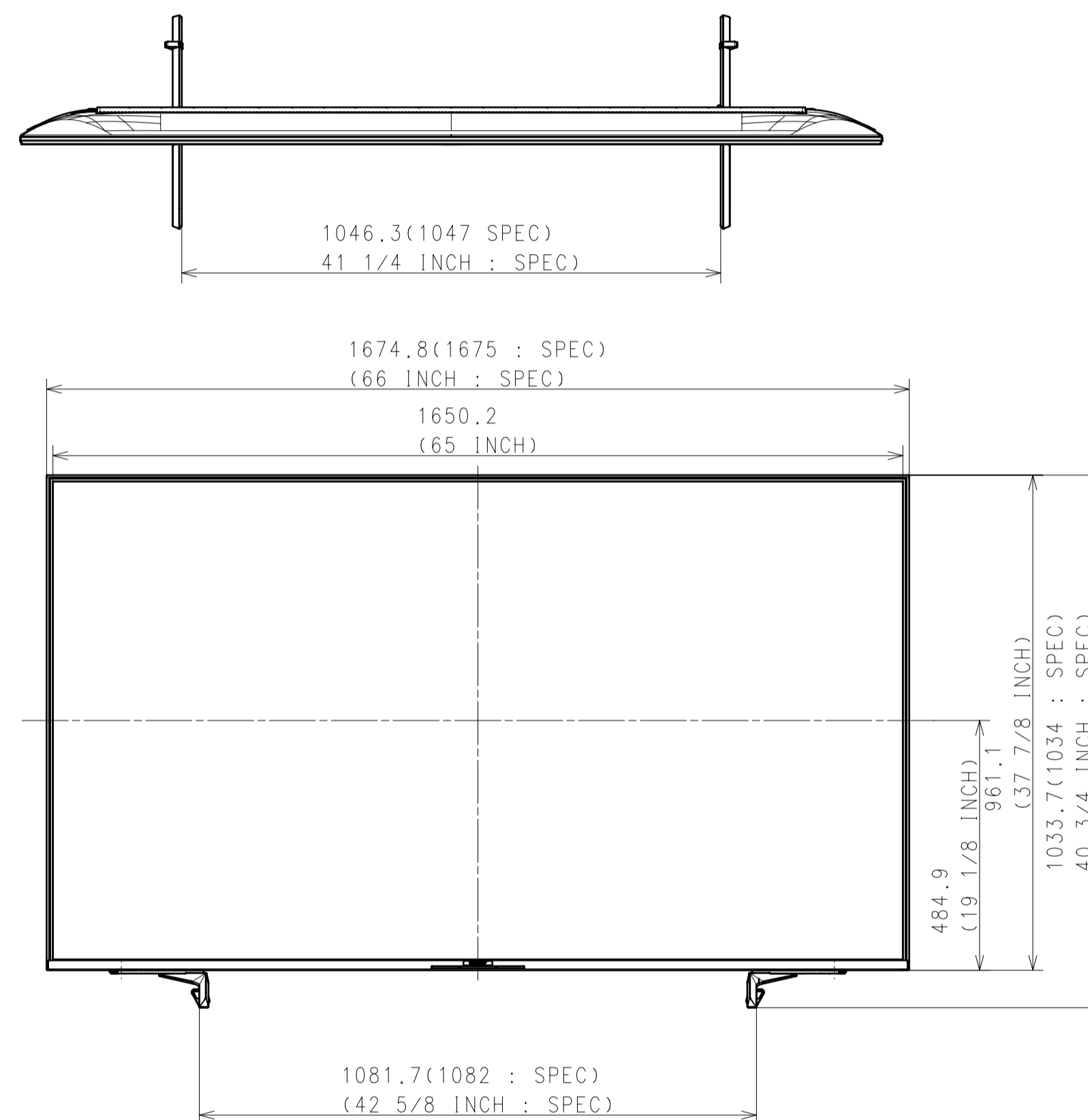
WITH STAND

PREMIUM EDGE STAND (STANDARD POSITION)  
XRJ-75X90J (JAPAN) &  
XR-75X94J (EUROPE DERIVATIVE 2) only



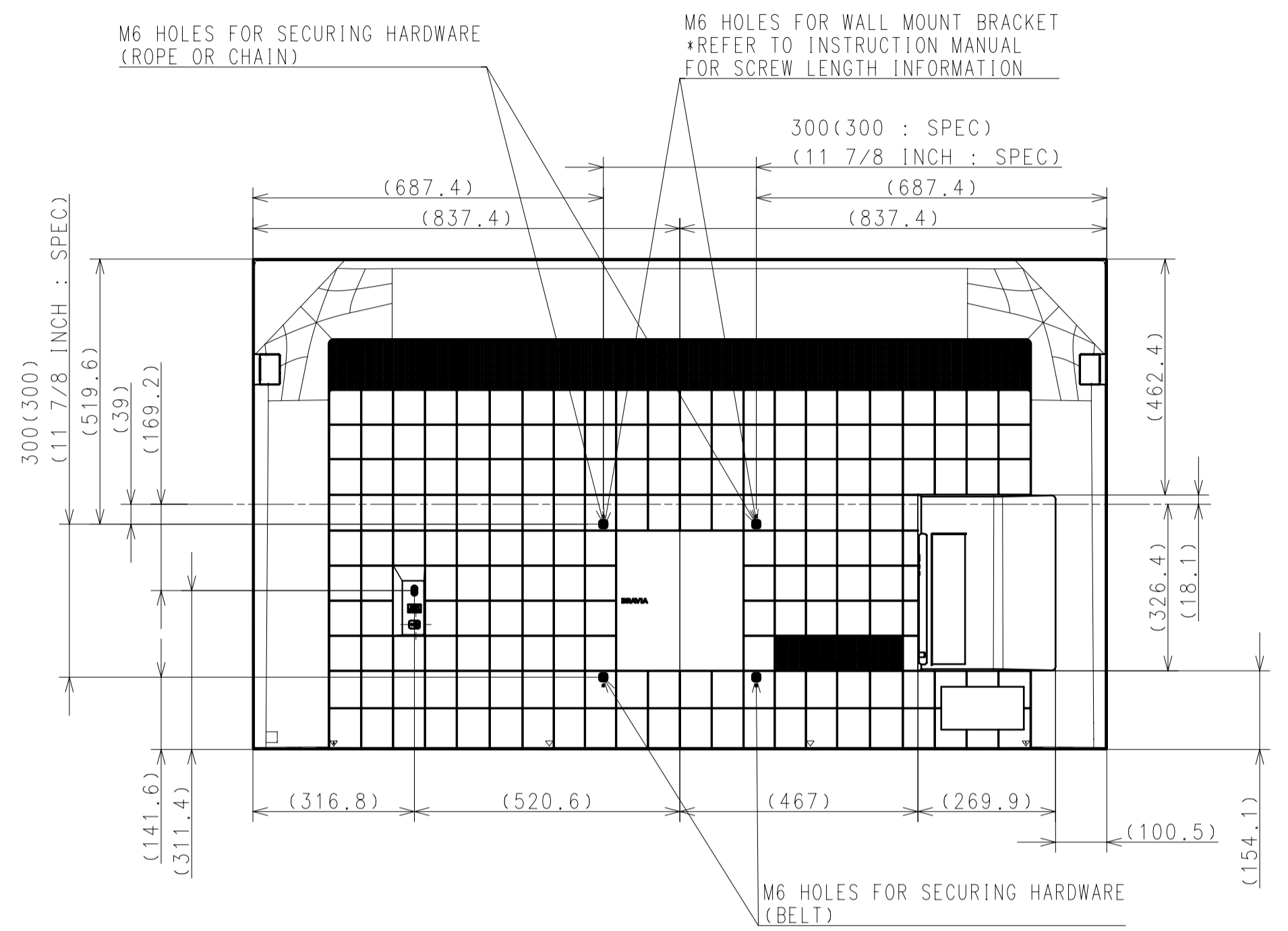
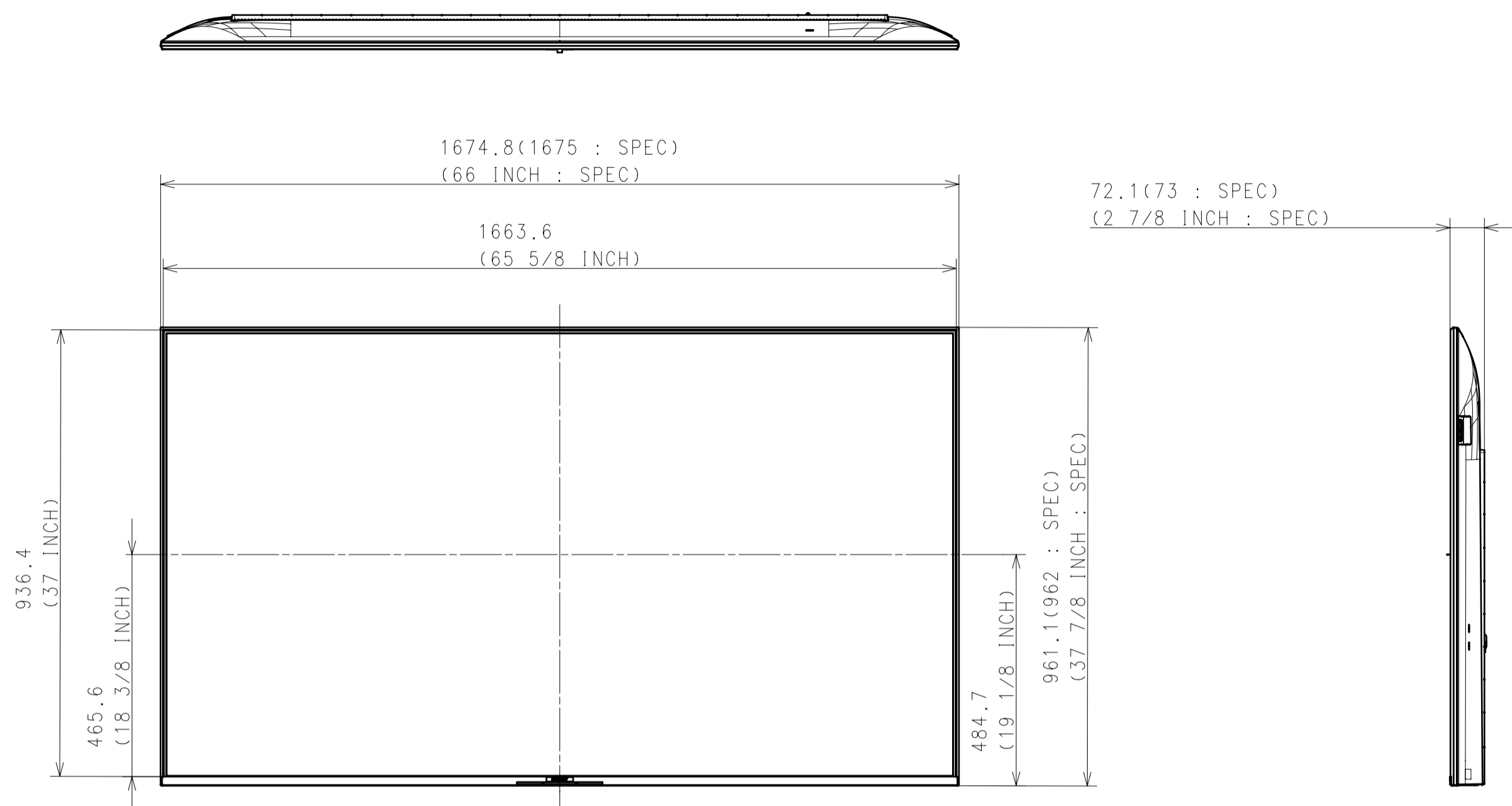
WITH STAND

PREMIUM EDGE STAND (NARROW POSITION)  
XRJ-75X90J (JAPAN) &  
XR-75X94J (EUROPE DERIVATIVE 2) only

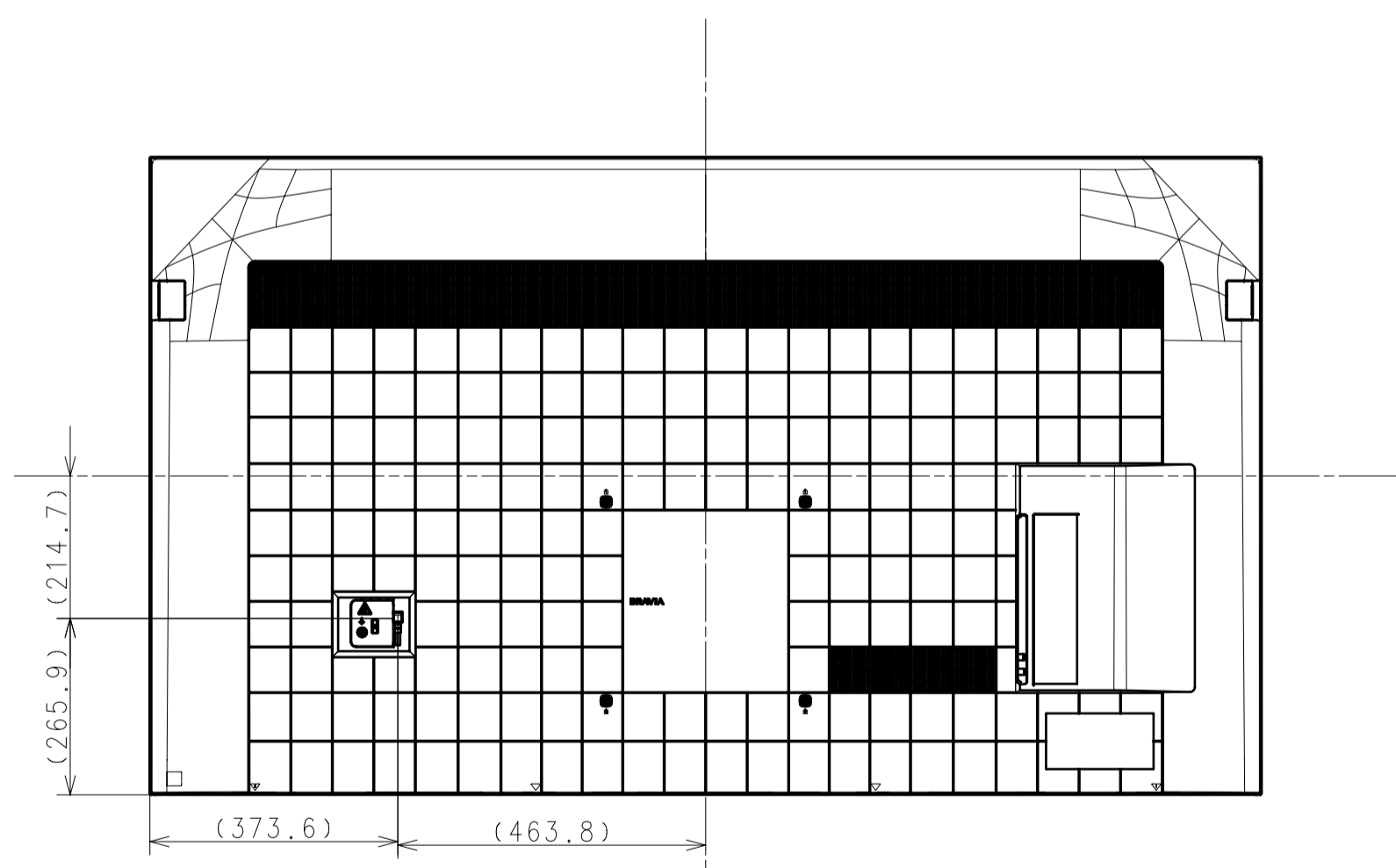


DESCRIPTION 1	LEGAL OWNER	SCALE
75 (X90J) EXTERIOR VIEW	Sony Corporation	1:1
DESCRIPTION 2	PART NO.	SHEET/PAGES
75 (X90J) EXTERIOR VIEW		3/ 6

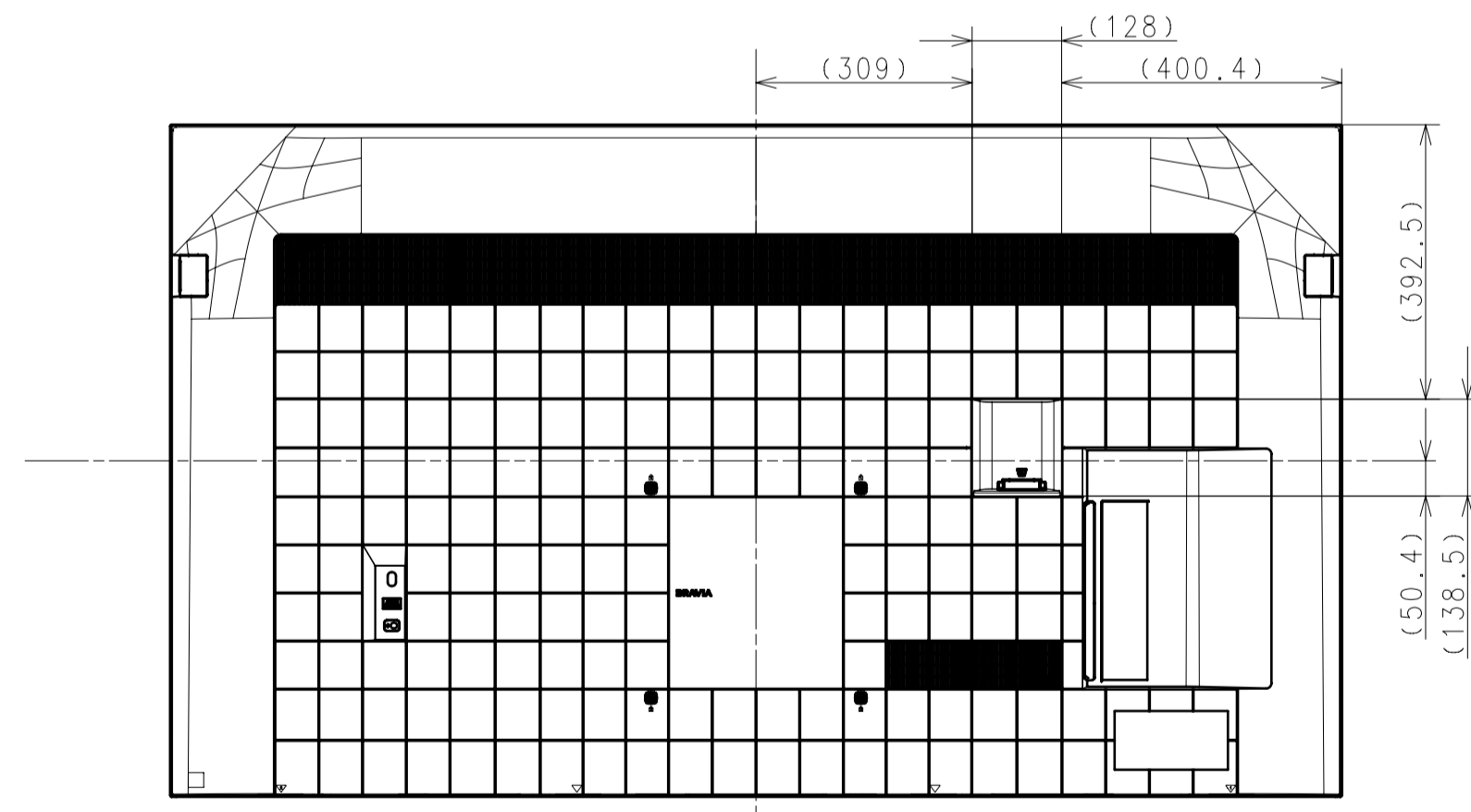
WITHOUT STAND



For. NORTH AMERICA, GENERAL AREA, CHINA



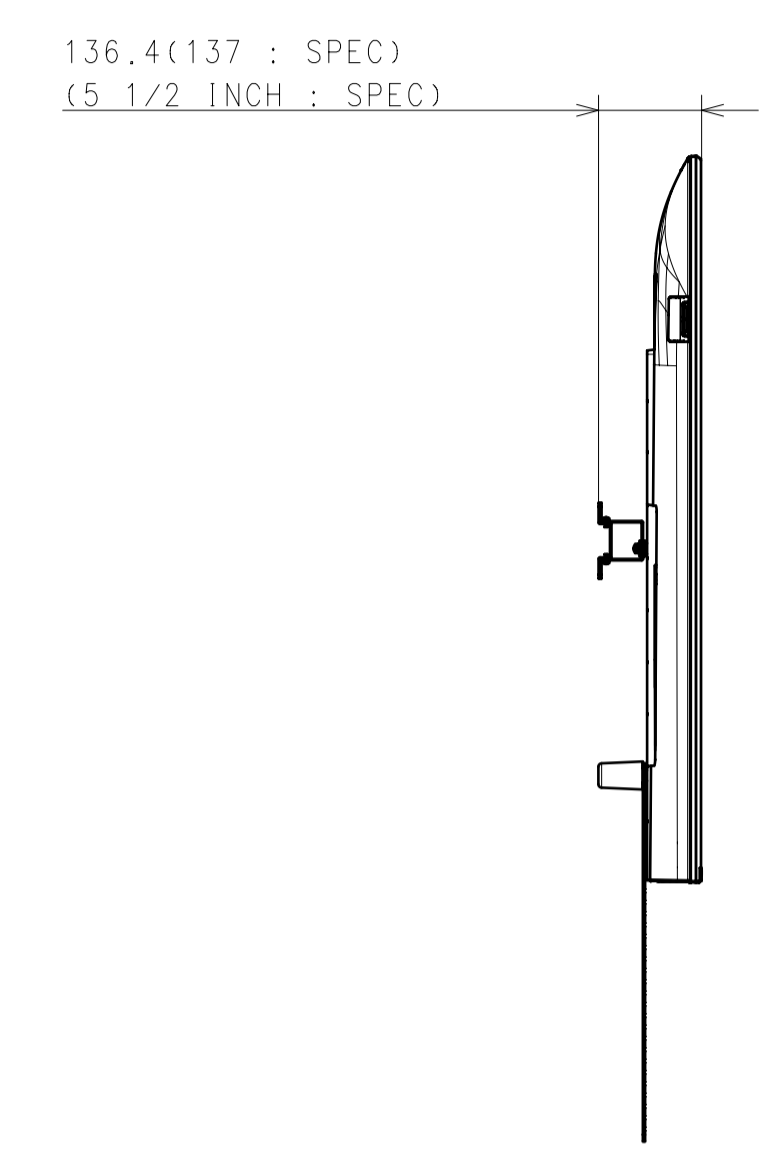
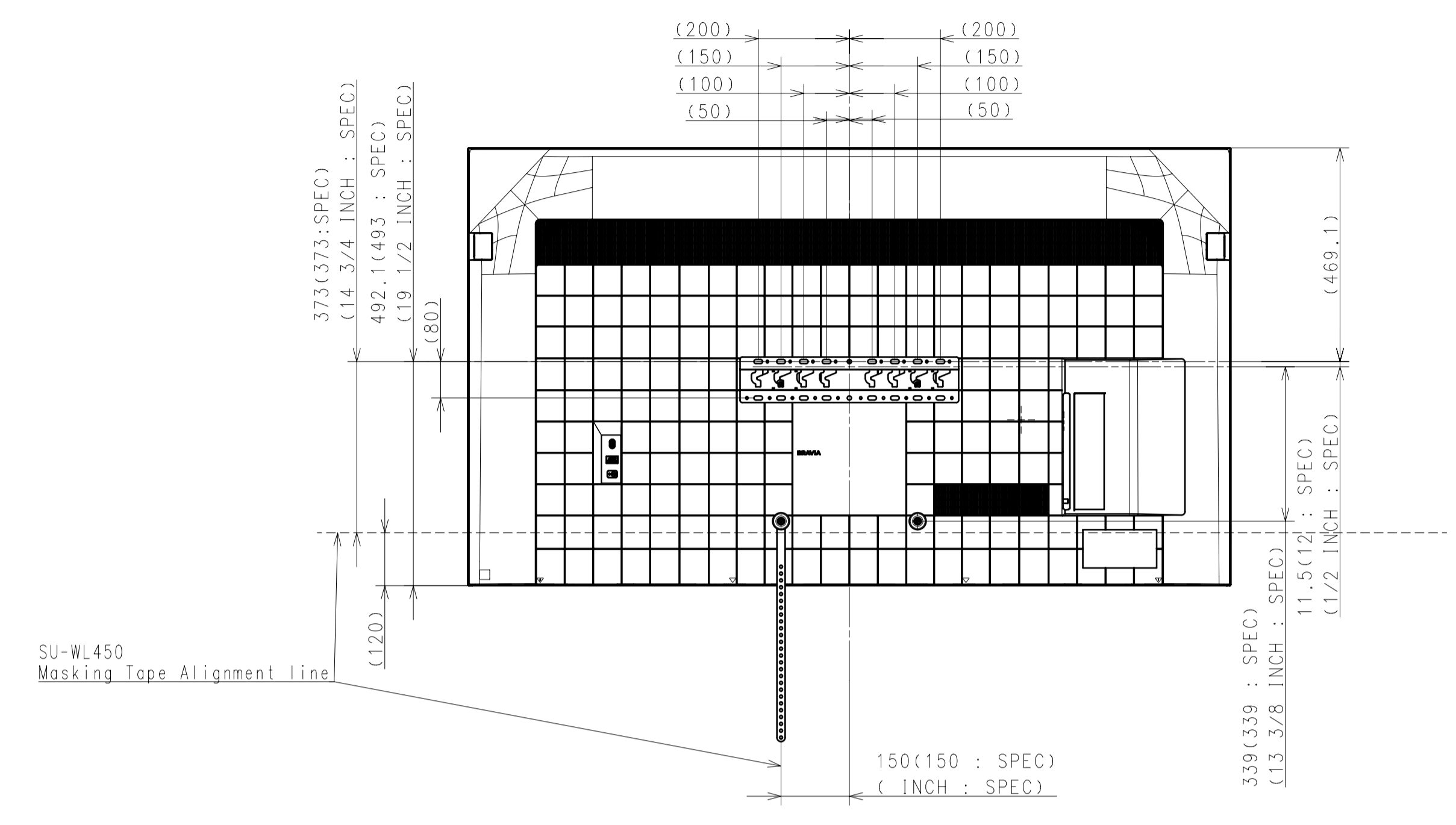
For. JAPAN



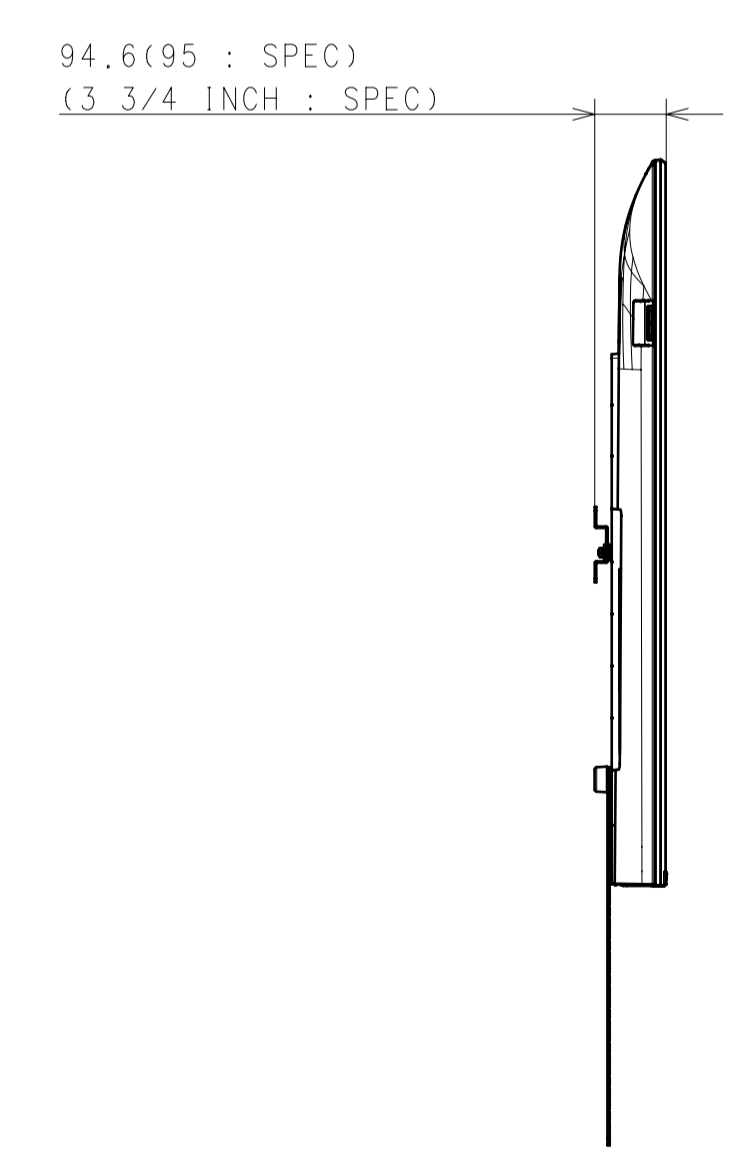
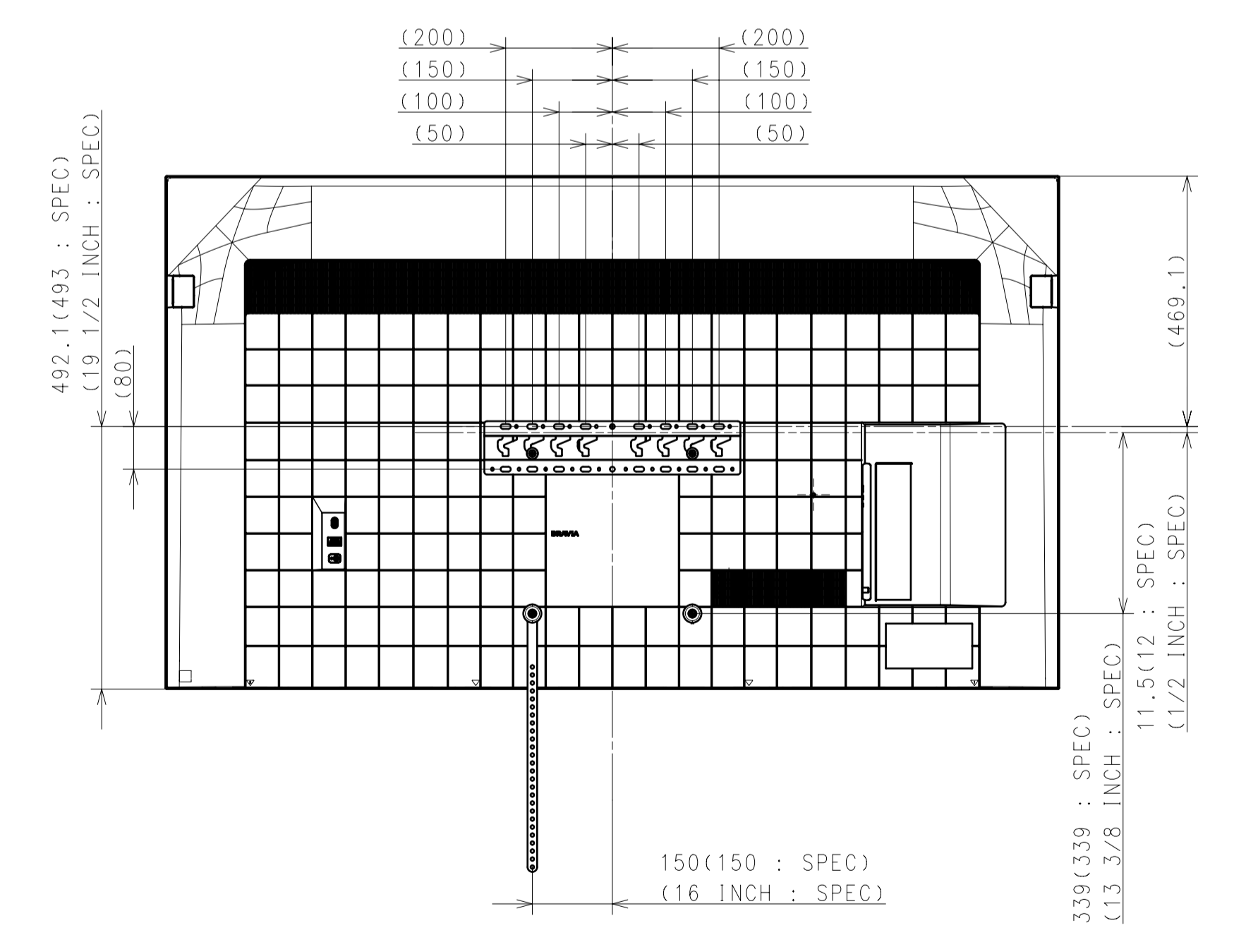
For. EUROPE

DESCRIPTION 75 (X90J) EXTERIOR VIEW	LEGAL OWNER Sony Corporation	SCALE 1:1
DESCRIPTION 75 (X90J) EXTERIOR VIEW	PART NO.	SHEET/PAGES 4 / 6

# SU-WL450 STANDARD



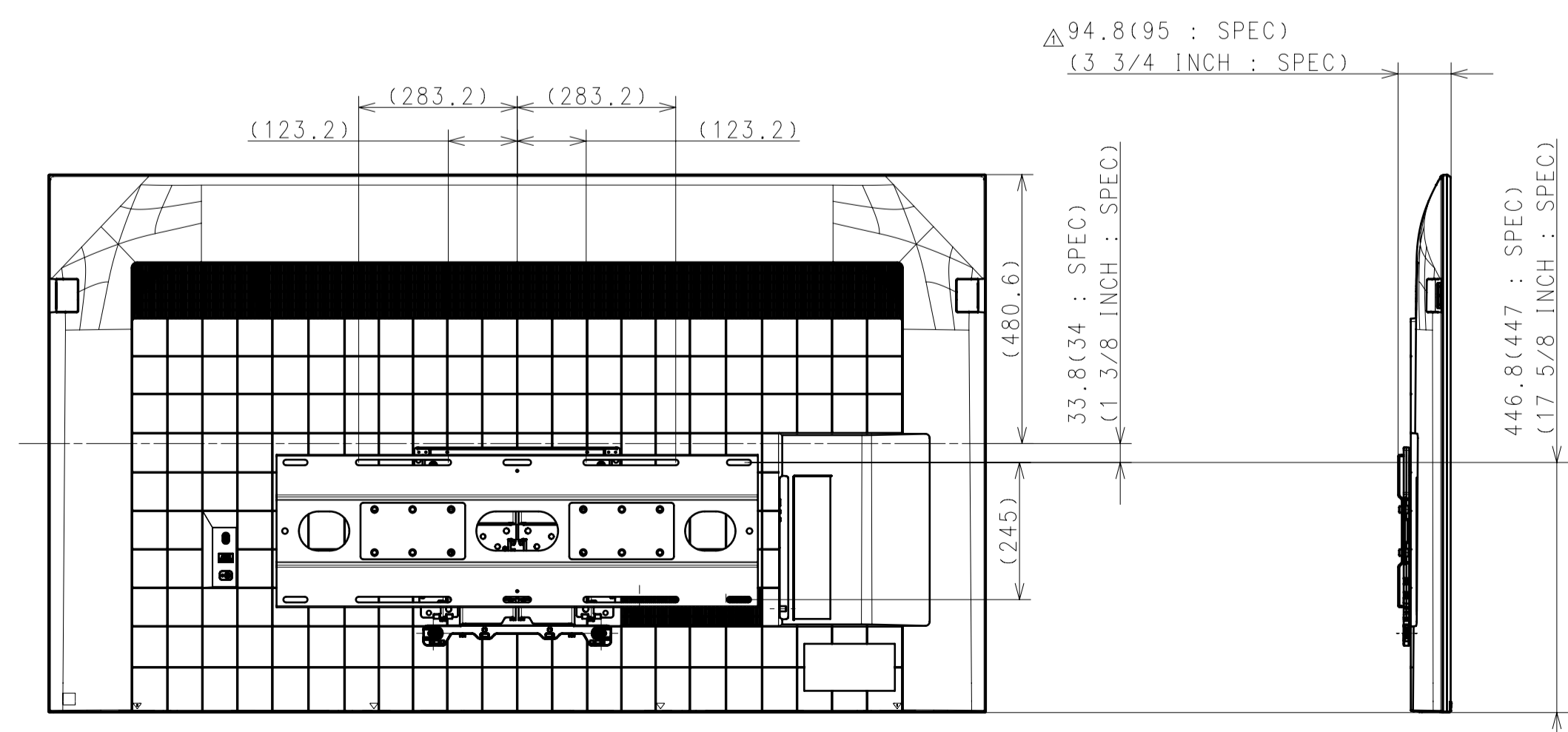
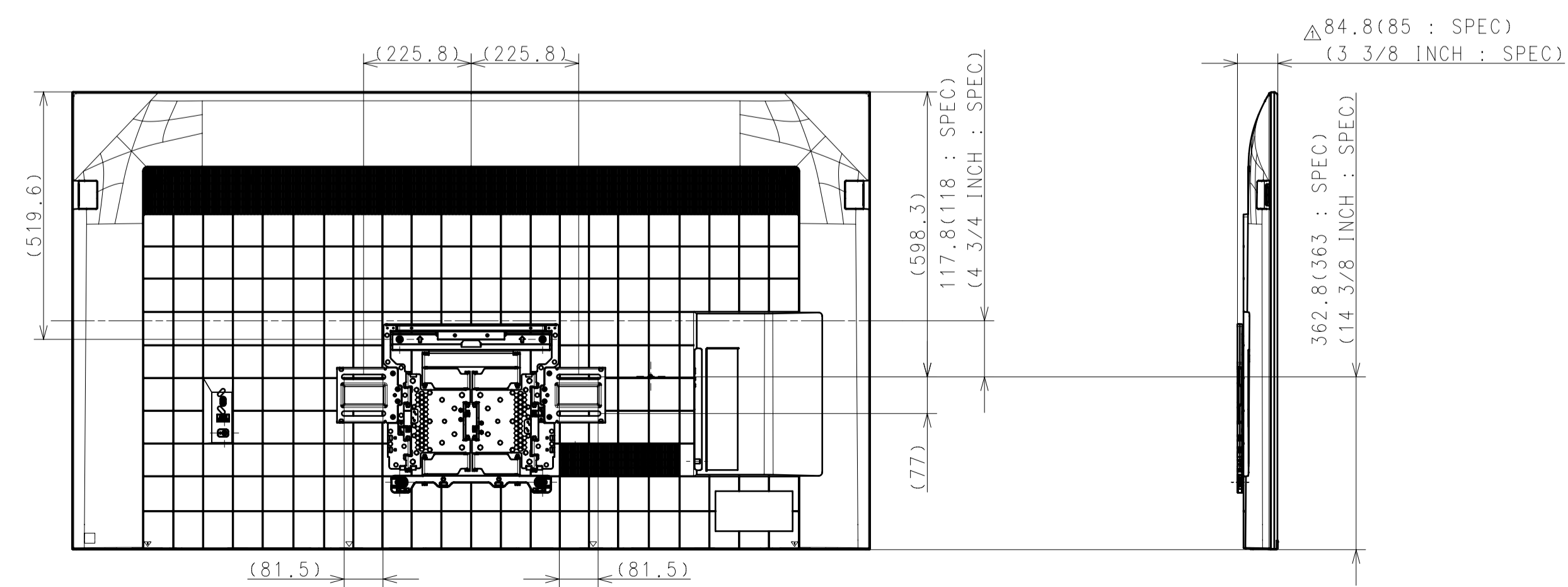
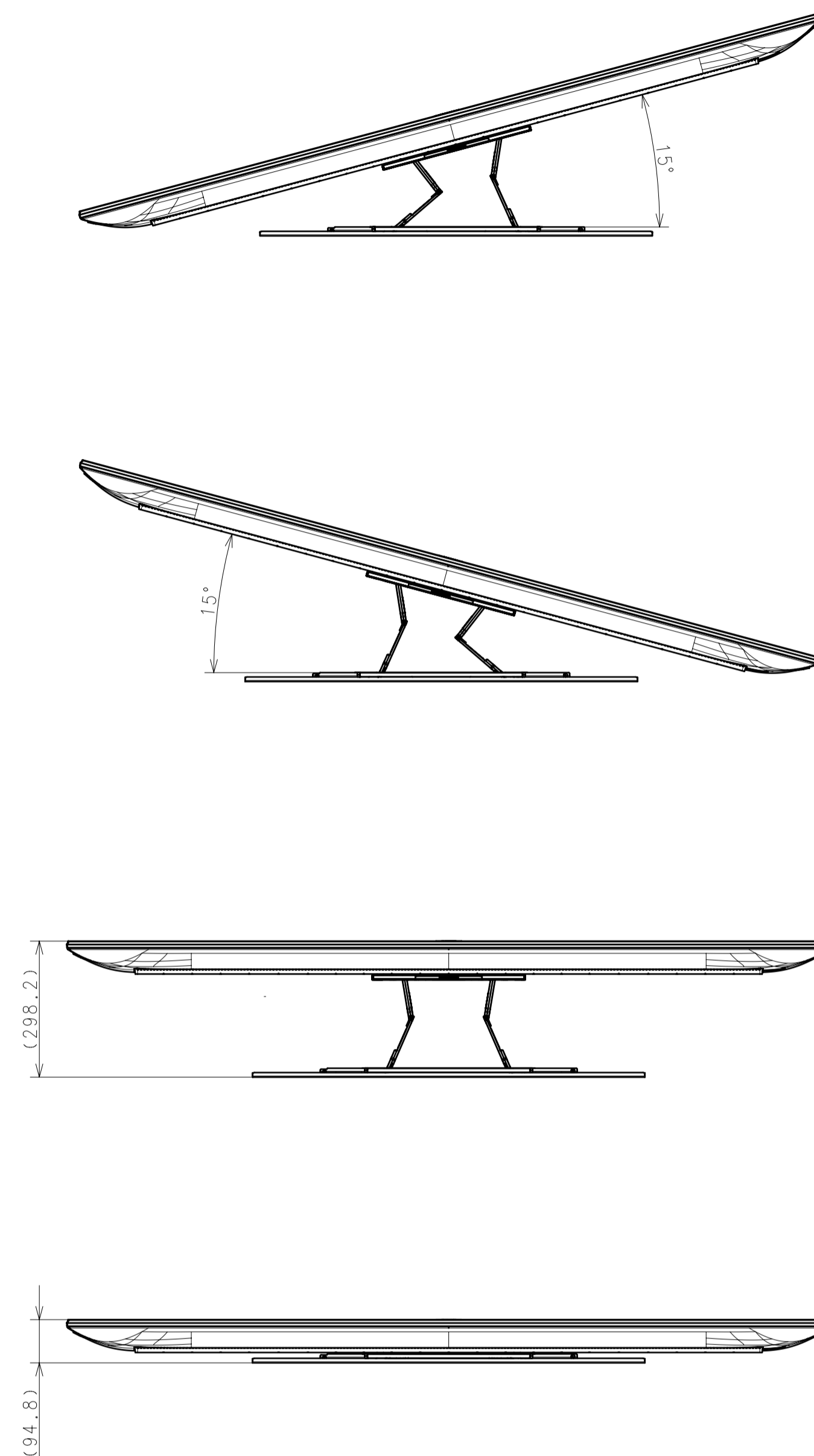
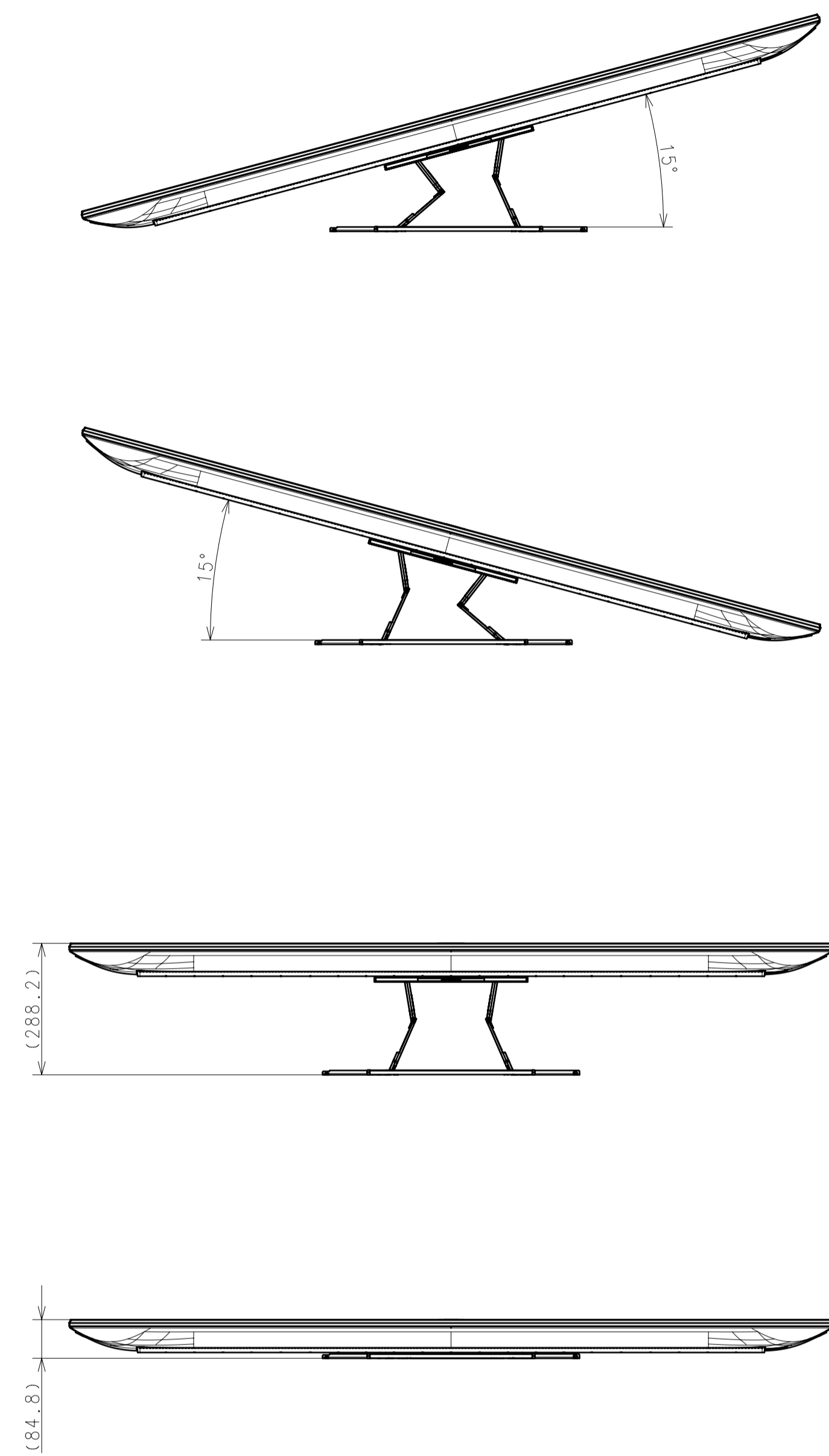
# SU-WL450 SLIM



DESCRIPTION 1 75 (X90J) EXTERIOR VIEW	LEGAL OWNER Sony Corporation	SCALE 1:1
DESCRIPTION 2 75 (X90J) EXTERIOR VIEW	PART NO.	SHEET/PAGES 5/6

SU-WL850

△ SU-WL855 WITH LATERAL SHAFT BRACKET



DESCRIPTION	LEGAL OWNER	SCALE
75 (X90J) EXTERIOR VIEW	Sony Corporation	1:1
75 (X90J) EXTERIOR VIEW	PART NO.	SHEET/PAGES
		6 / 6