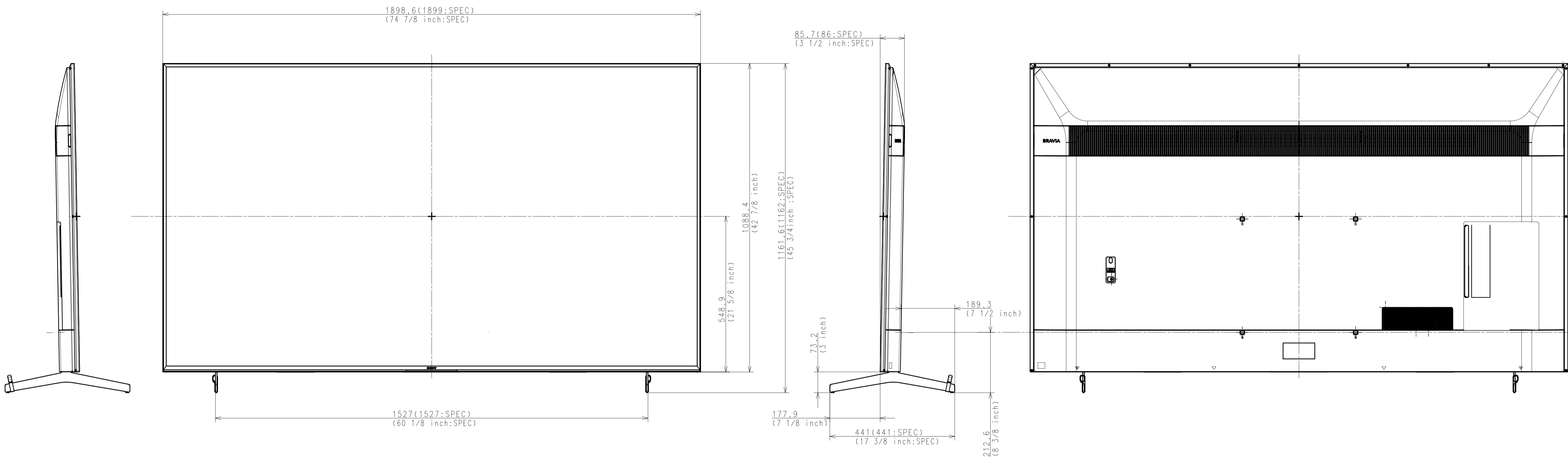
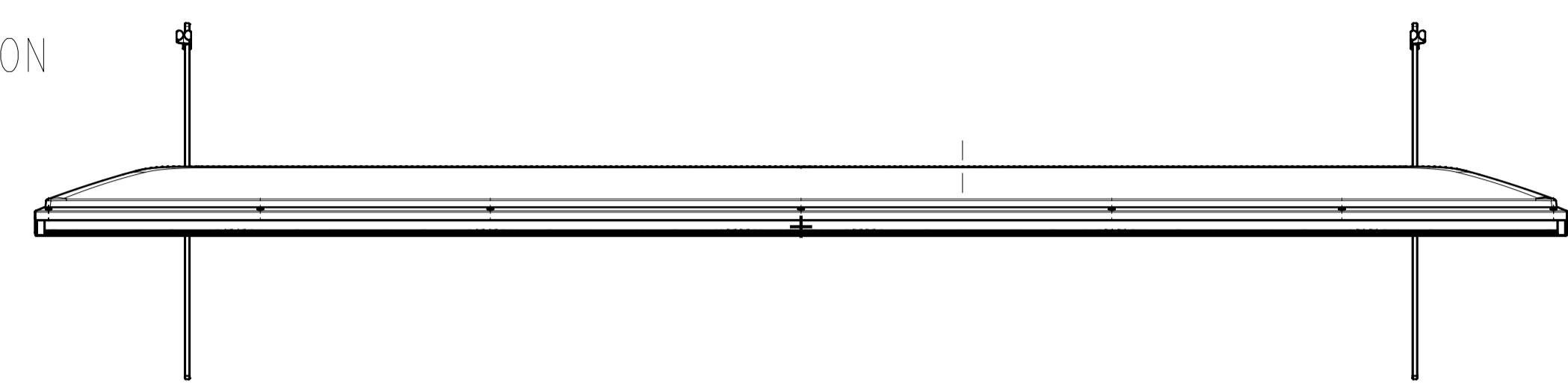
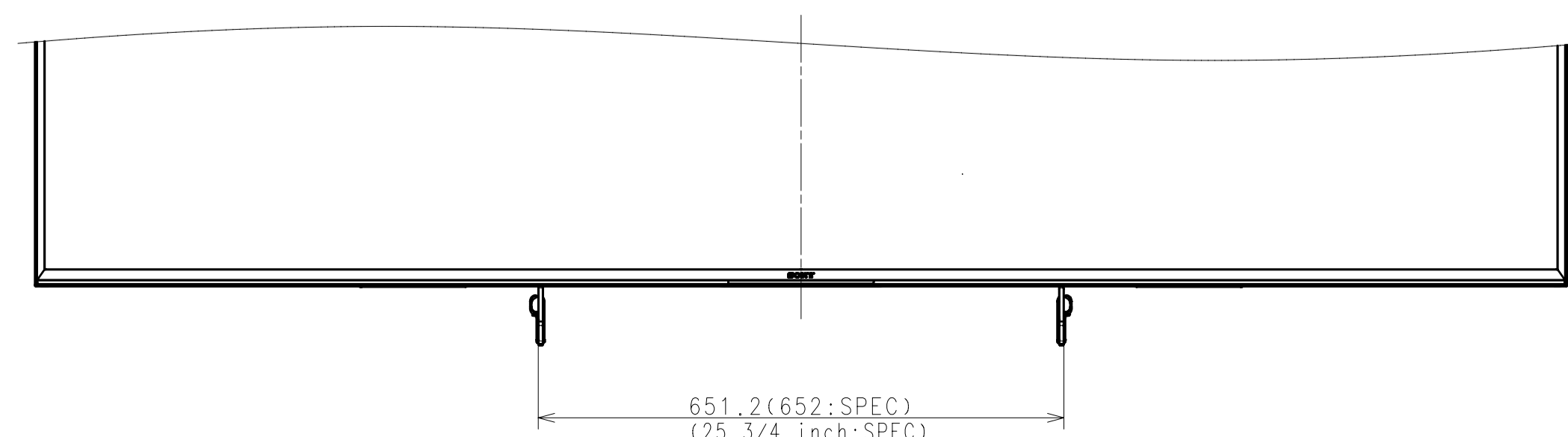
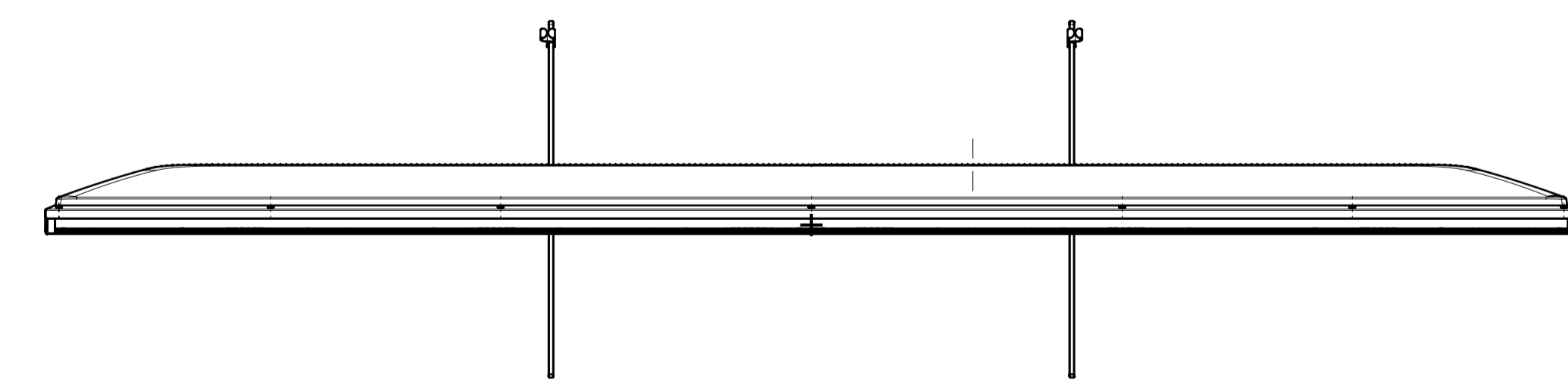


Area	NORTH AMERICA	LATIN AMERICA	EUROPE (SEU Deri)	GENERAL AREA	CHINA	
Model Name	XBR-85X900H	XBR-85X900H	KD-85XH9096	KD-85X9000H	KD-85X9000H	
SV No.	SV-38485	SV-38631	SV-38529	SV-38652	SV-38674	
DIMENSION	TV only (WxHxD)	1899x1089x72 mm / 74 7/8 x 42 7/8 x 2 7/8 inch	1899x1089x72 mm	Approx. 189.9x108.9x7.2 cm	Approx. 1899x1089x72 mm	Approx. 1899x1089x72 mm
	TV with Stand (WxHxD)	1899x1162x441 mm / 74 7/8 x 45 3/4 x 17 3/8 inch	1899x1162x441 mm	Approx. 189.9x116.2x44.1 cm	Approx. 1899x1162x441 mm	Approx. 1899x1162x441 mm
	Media Receiver (WxHxD)	-	-	-	-	-
	Monitor only (WxHxD)	-	-	-	-	-
	Monitor with Stand (WxHxD)	-	-	-	-	-
	Media Receiver with Stand (WxHxD)	-	-	-	-	-
	Satellite Speaker (WxHxD)	-	-	-	-	-
Stand Width	1527 mm / 60 1/8 inch	1527 mm	Approx. 152.7(65.2) cm	Approx. 1527 mm	Approx. 1527 mm	
VESA Hole Pitch	400x400 mm / 15 3/4 x 15 3/4 inch	400x400 mm	40.0x40.0 cm	400x400 mm	400x400 mm	
WEIGHT	TV Only	45.8 Kg / 100.9 lb	45.8 Kg	Approx. 45.8 Kg	Approx. 45.8 Kg	Approx. 45.8 Kg
	TV With Stand	47.7 Kg / 105.1 lb	47.7 Kg	Approx. 47.7 Kg	Approx. 47.7 Kg	Approx. 47.7 Kg
	Media Receiver	-	-	-	-	-
	Monitor Only	-	-	-	-	-
	Monitor With Stand	-	-	-	-	-
	Media Receiver with Stand	-	-	-	-	-
Remarks						

WITH STAND
STANDARD POSITION



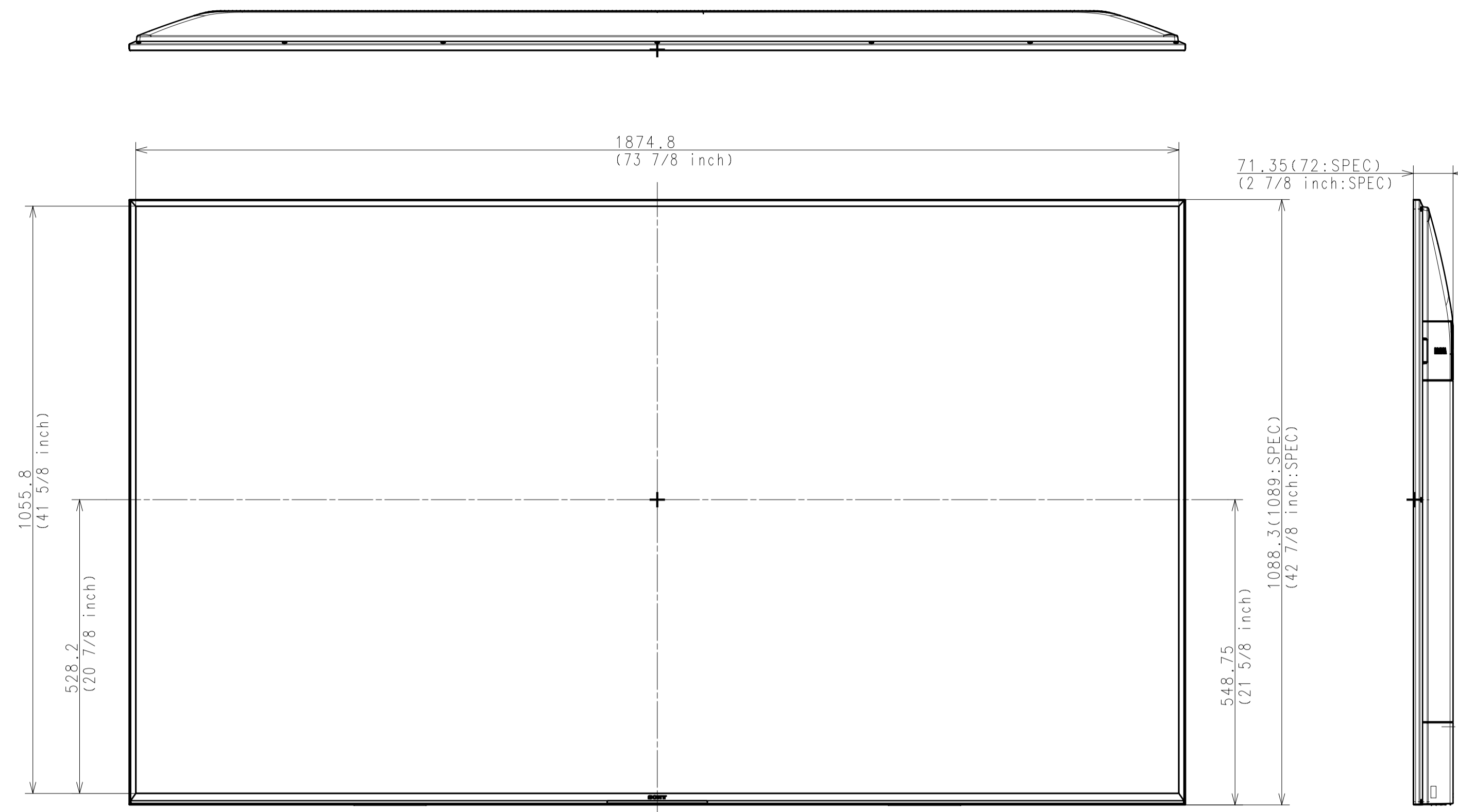
NARROW POSITION



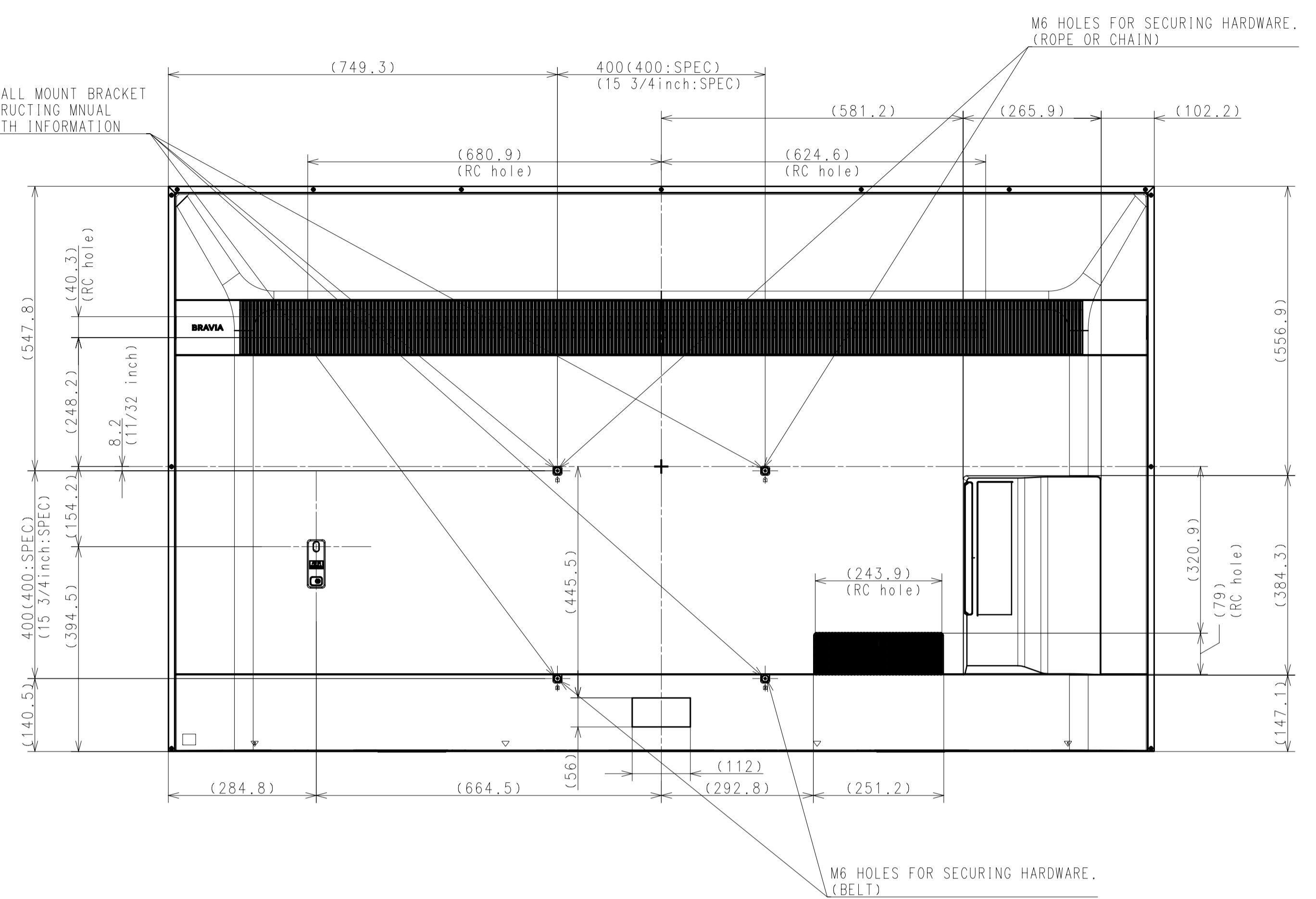
Purchase recycled resins and wire rods only from the business partners that Sony approves as Green Partners.
再生樹脂・再生鋼線はグリーンパートナー認定者からの調達を促すこと。

△A				GENERAL TOLERANCE	DATE OF ISSUE 2019.12.11
△B					DOCUMENT TYPE PART
△C					TOLERANCING JIS B 0024(ISO 8015)
HISTORY	DWFX / REFL.	RELEASE NO. / DATE	REVISION	SIGN.	MATERIAL(COLOR)
LEGAL OWNER Sony Corporation					
RESPONSIBLE DEPARTMENT SHES TV Div.	PLANNED BY 2019.12.11 T. Akisaka	CHECKED BY	APPROVED BY	SIZE UNIT A1 mm	ORIGINAL MODEL DESCRIPTION 85(X9000H) EXTERIOR VIEW
DRAWN BY 2019.12.11 T. Akisaka				SCALE 1:7	TENTATIVE MODEL DESCRIPTION 85(X9000H) EXTERIOR VIEW
				REV. METHOD	TENTATIVE PART NO. PART NO.
					SHEET/PAGES 1 / 3

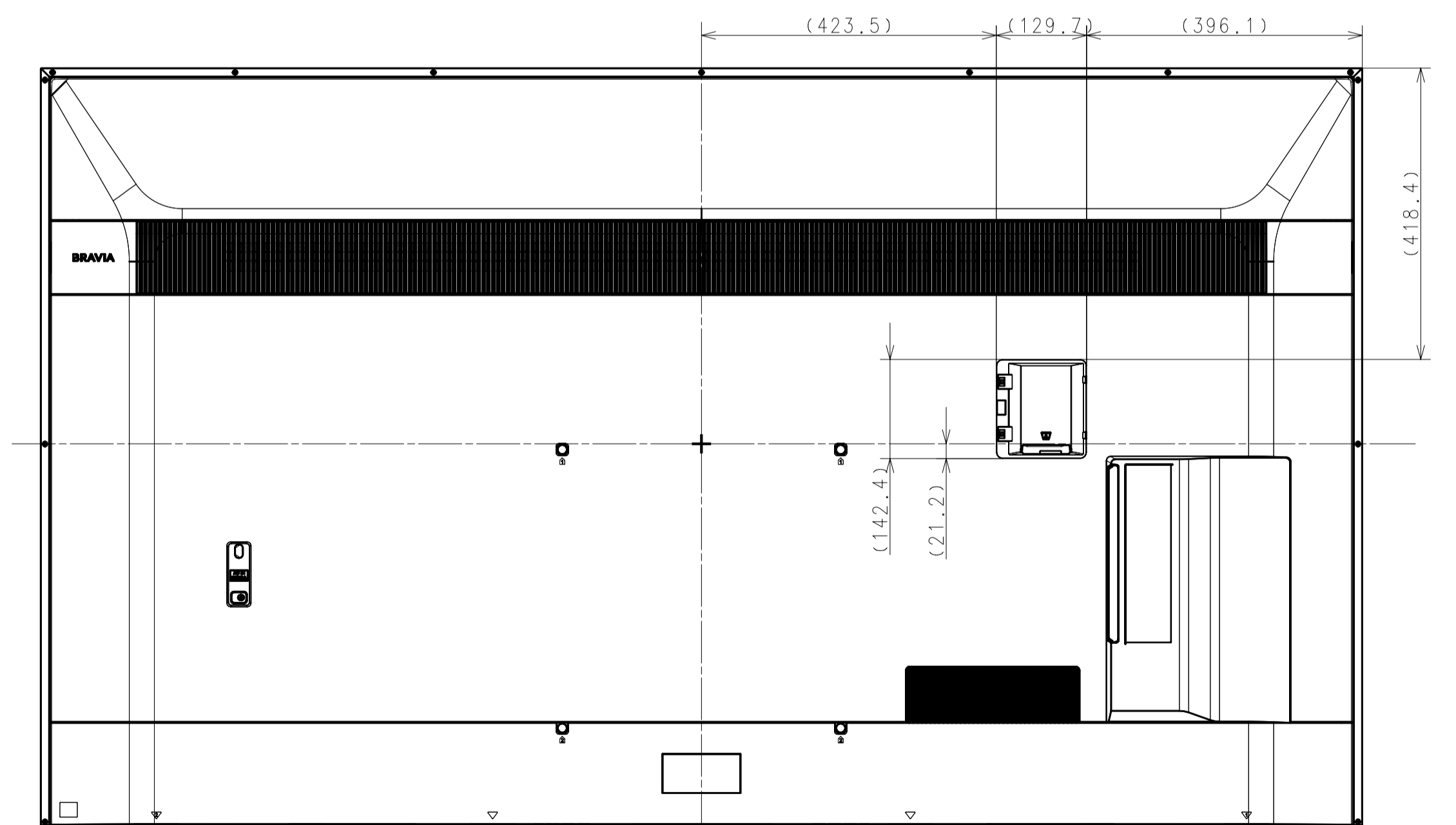
WITHOUT STAND



M6 HOLES FOR WALL MOUNT BRACKET
 *REFER TO INSTRUCTING MNUAL
 FOR SCREW LENGTH INFORMATION

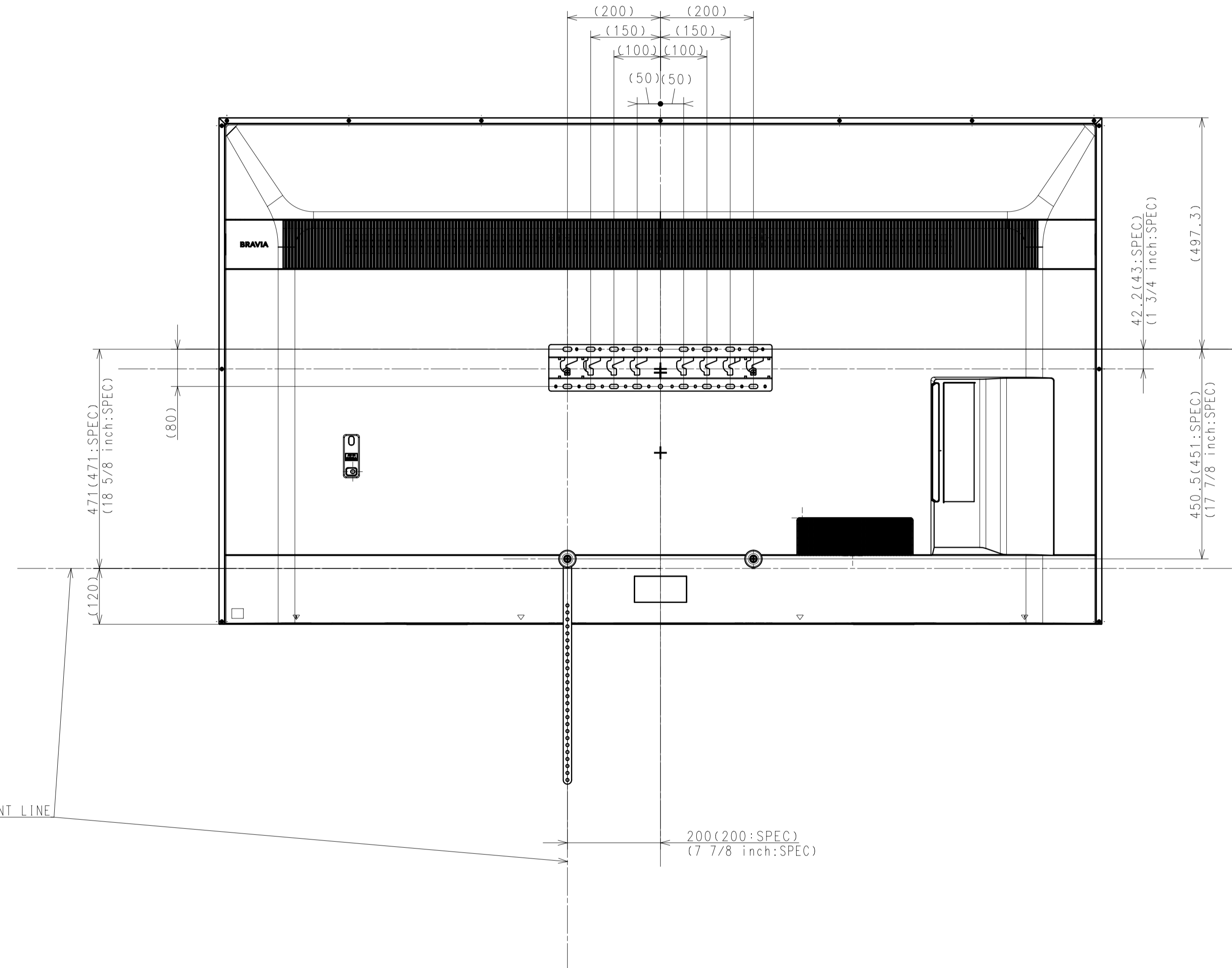


FOR EU



DESCRIPTION 1	85(X9000H) EXTERIOR VIEW	LEGAL OWNER	Sony Corporation	SCALE	1:7
DESCRIPTION 2	85(X9000H) EXTERIOR VIEW	PART NO.		SHEET/PAGES	2 / 3

SU-WL450

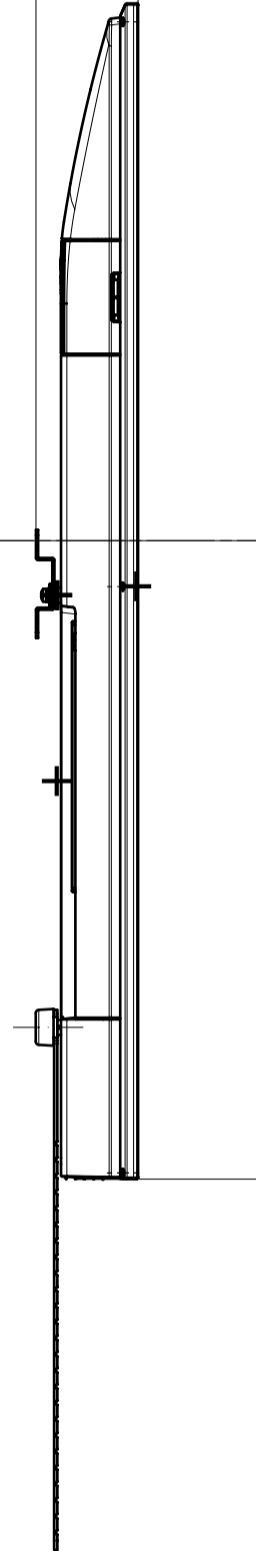
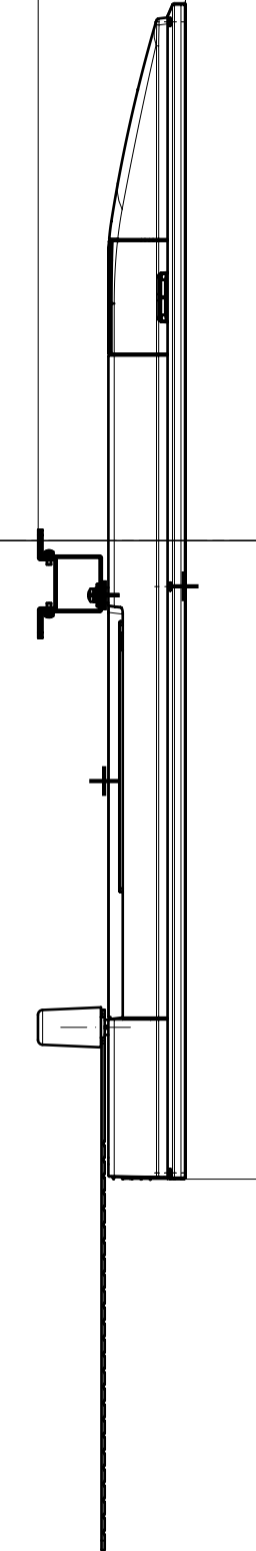


STANDARD MOUNT

SLIM MOUNT

136.35 (137:SPEC)
(5 1/2 inch:SPEC)

94.55 (95:SPEC)
(3 3/4 inch:SPEC)



SU-WL450
MASKING TAPE ALIGNMENT LINE

DESCRIPTION 1	LEGAL OWNER	SCALE
85(X9000H) EXTERIOR VIEW	Sony Corporation	1:7
DESCRIPTION 2	PART NO.	SHEET/PAGES
85(X9000H) EXTERIOR VIEW		3 / 3