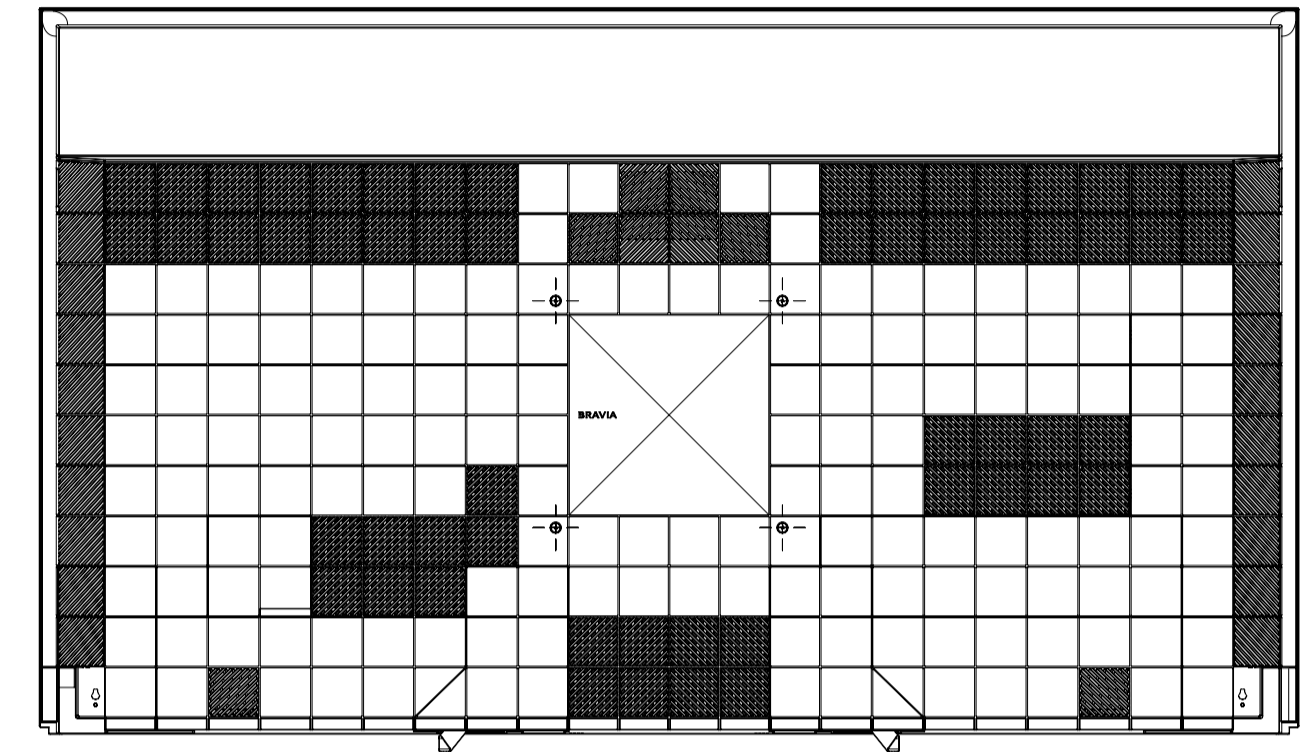
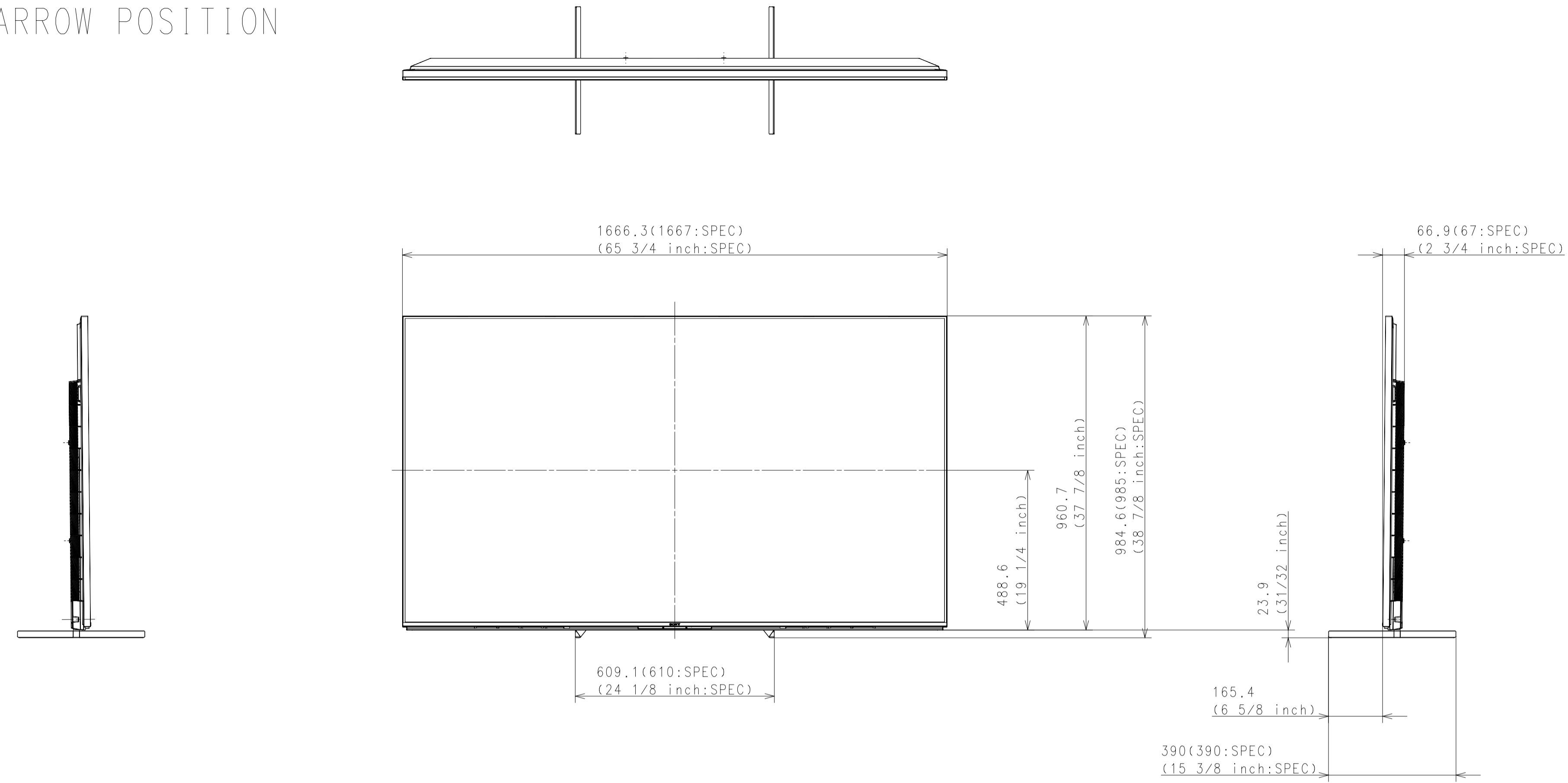
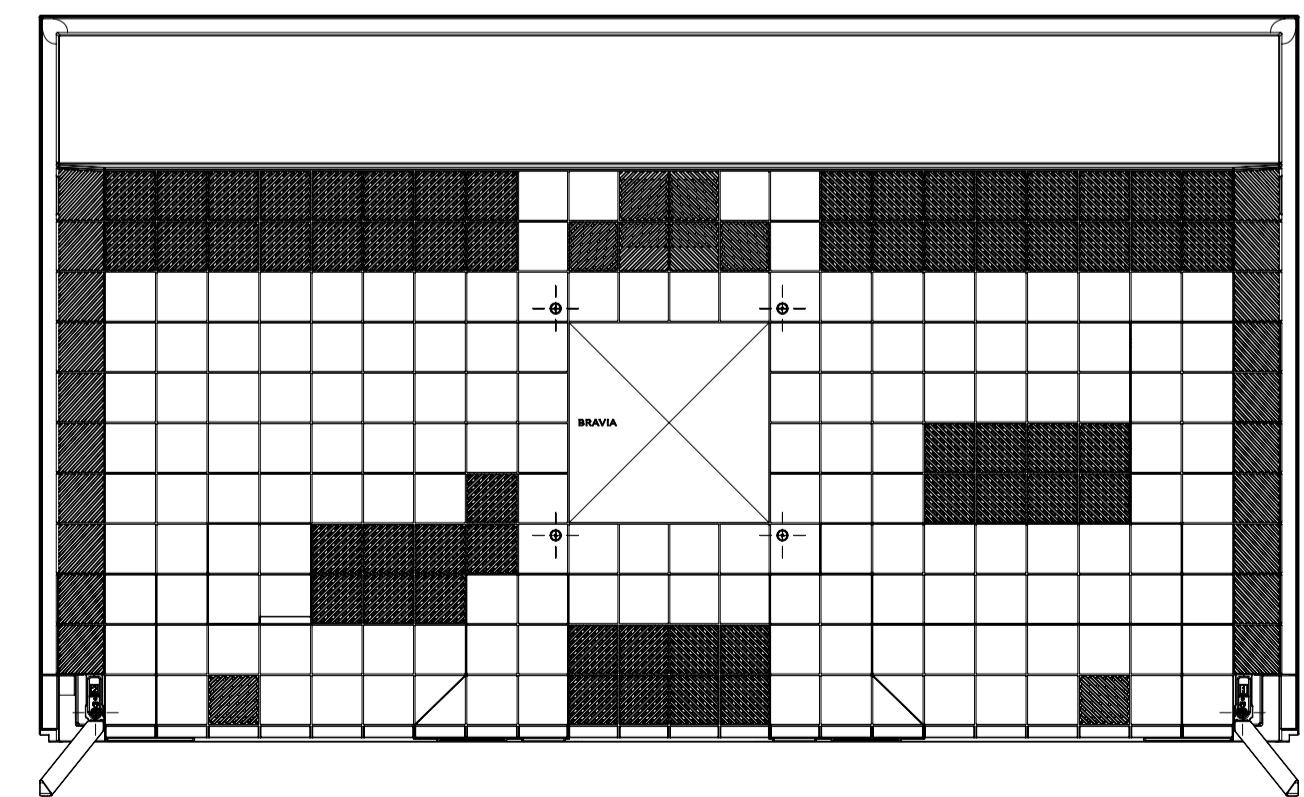
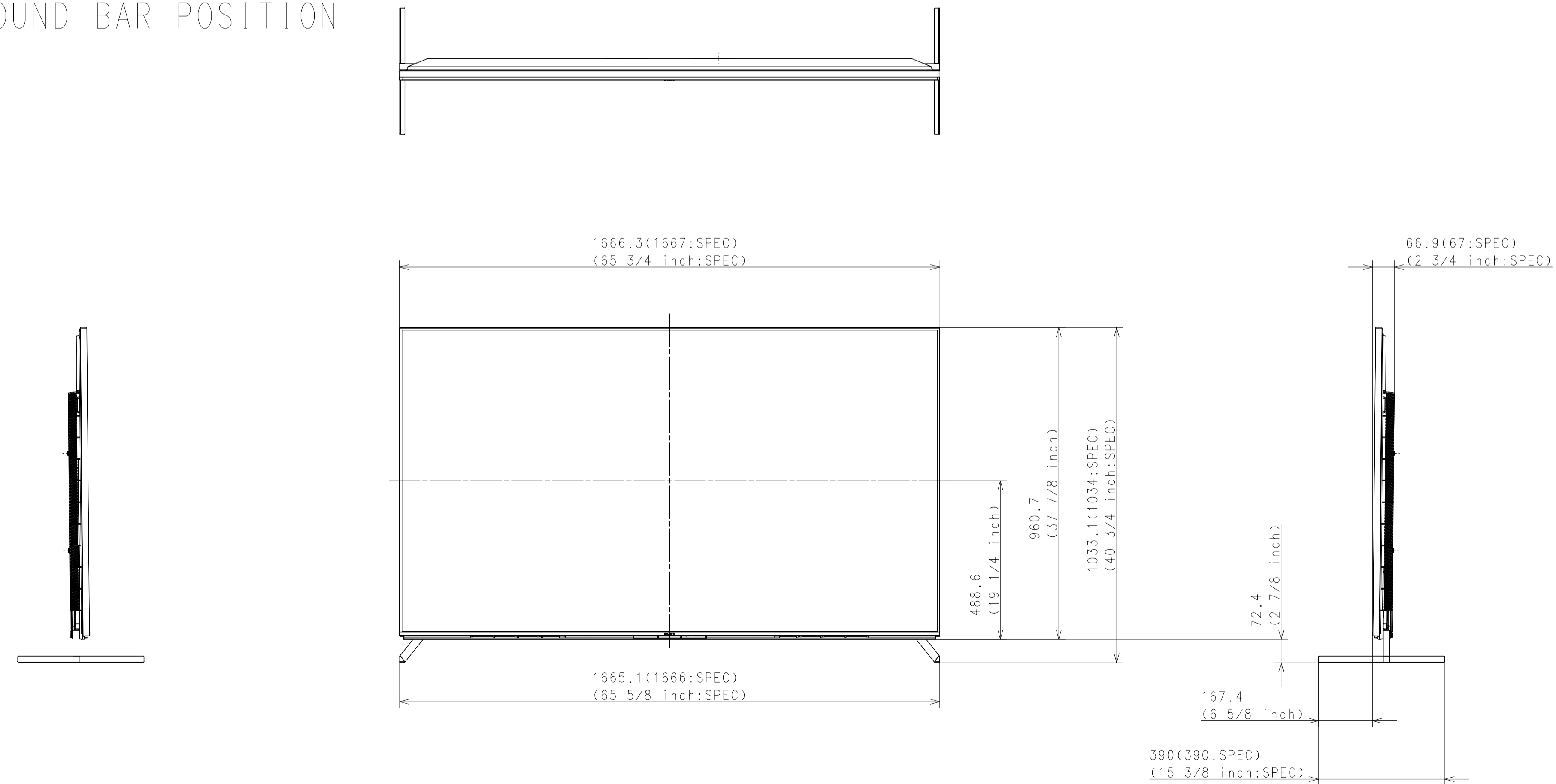


WITH STAND
NARROW POSITION

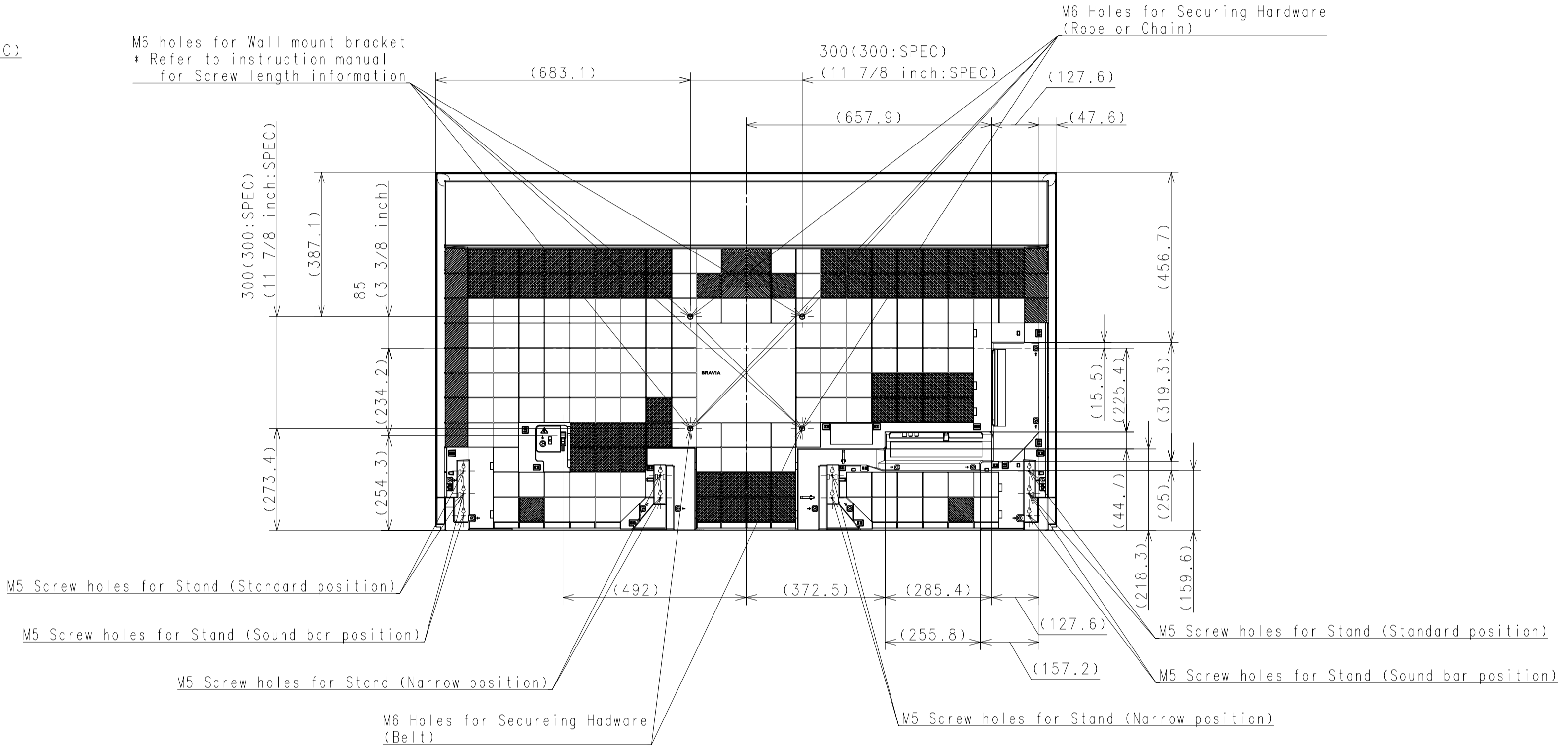
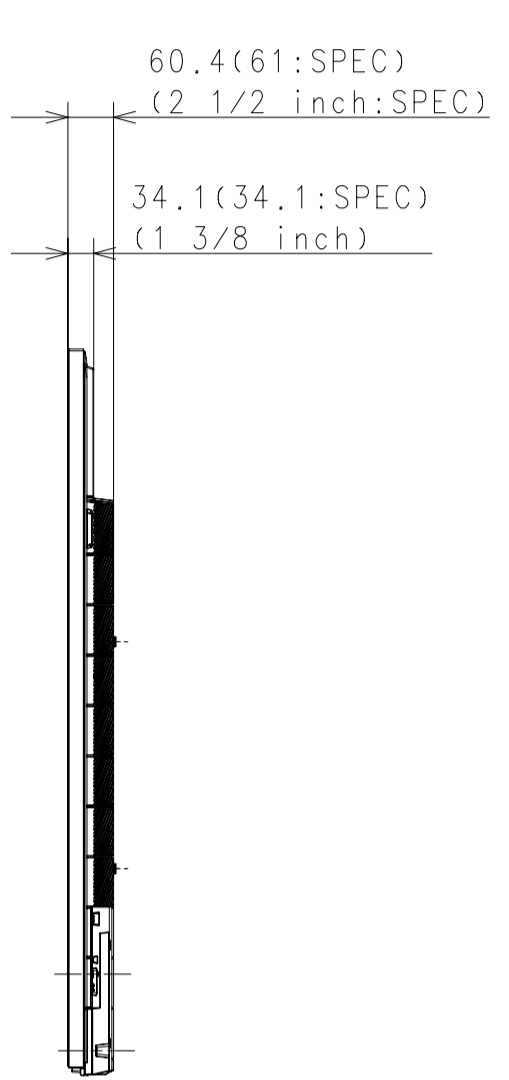
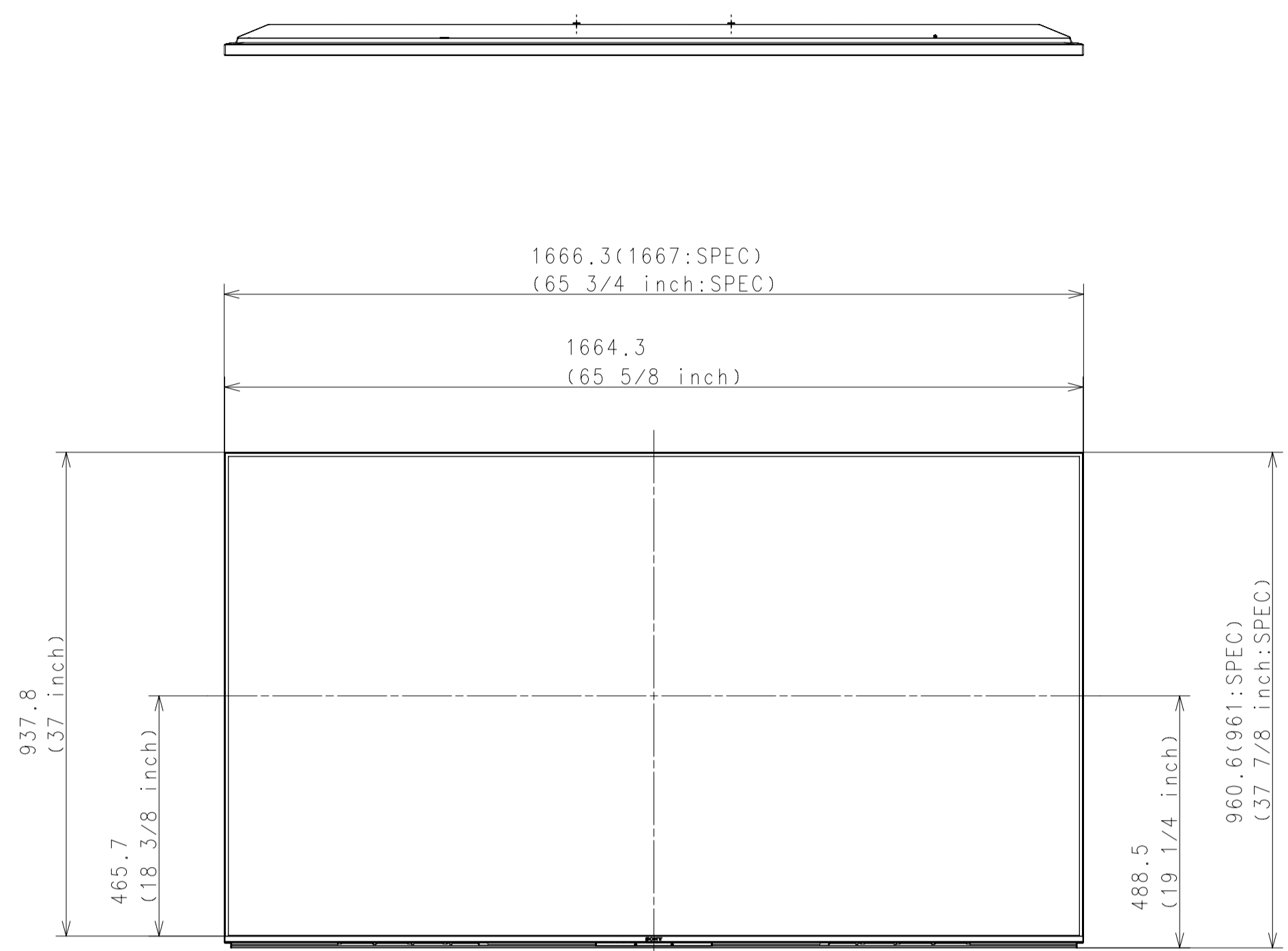


WITH STAND
SOUND BAR POSITION

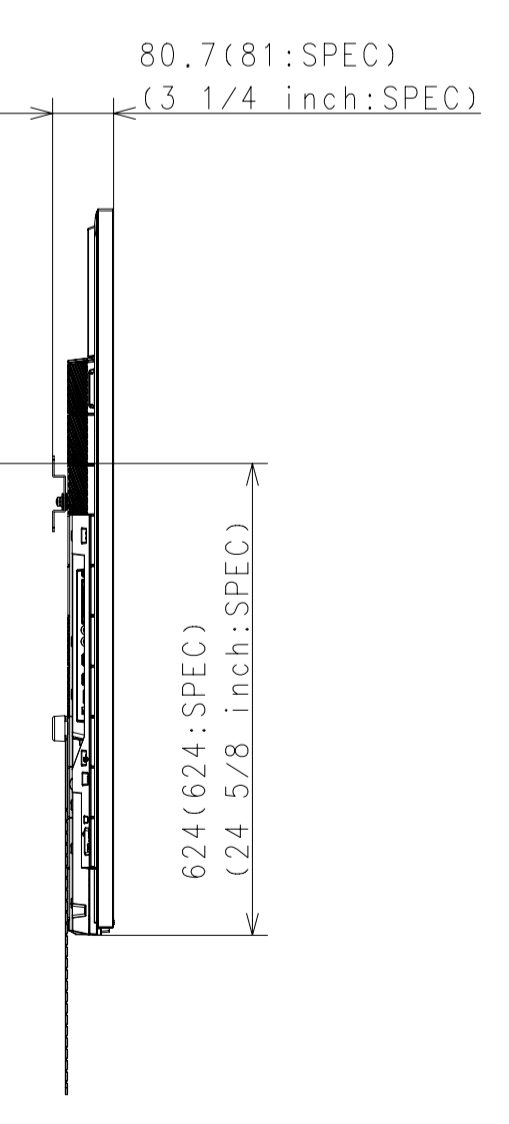
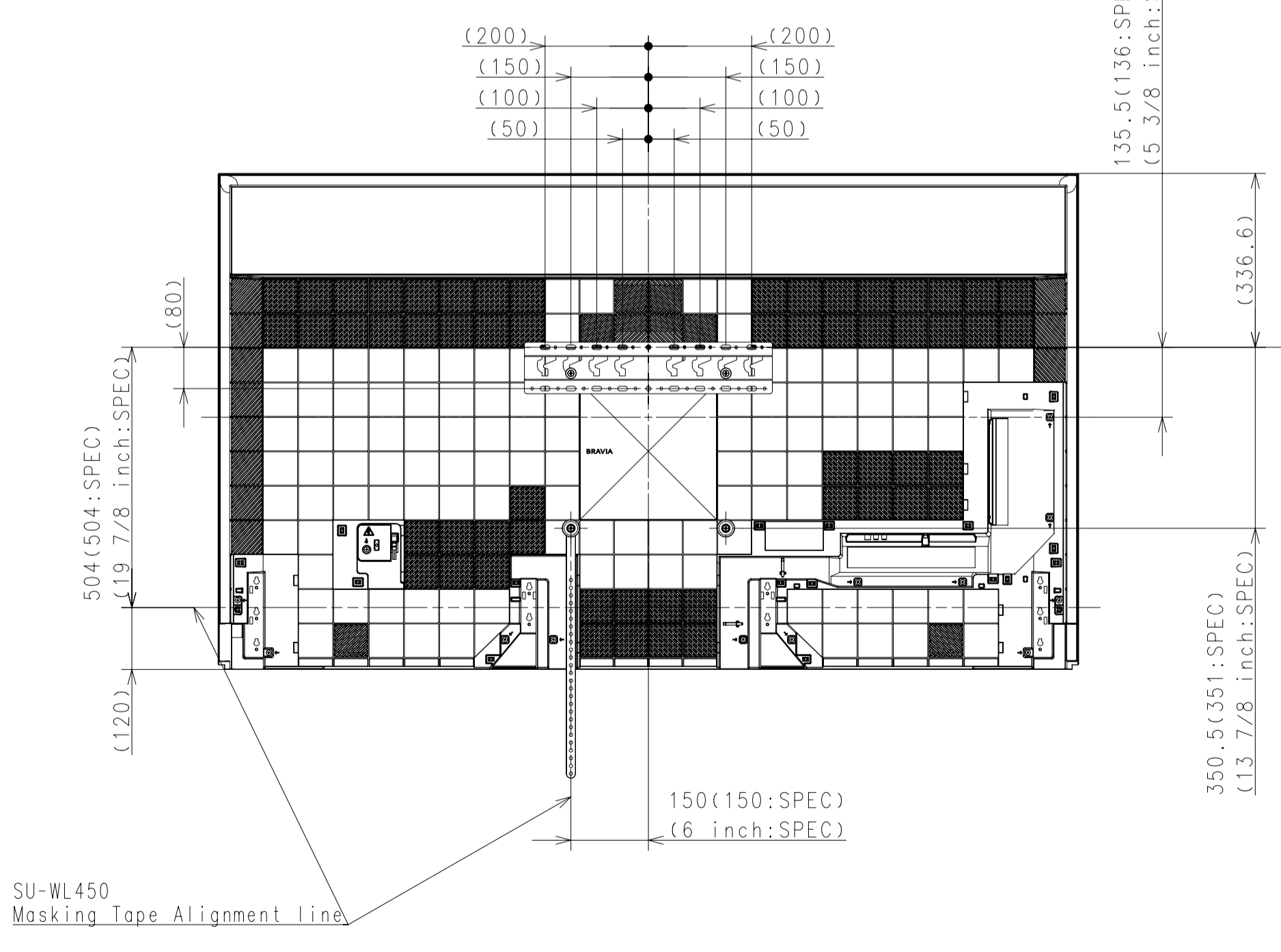


DESCRIPTION	LEGAL OWNER	SCALE
75 (X95J) EXTERIOR VIEW	Sony Corporation	1:10
DESCRIPTION	PART NO.	SHEET/PAGES
75 (X95J) EXTERIOR VIEW		2 / 4

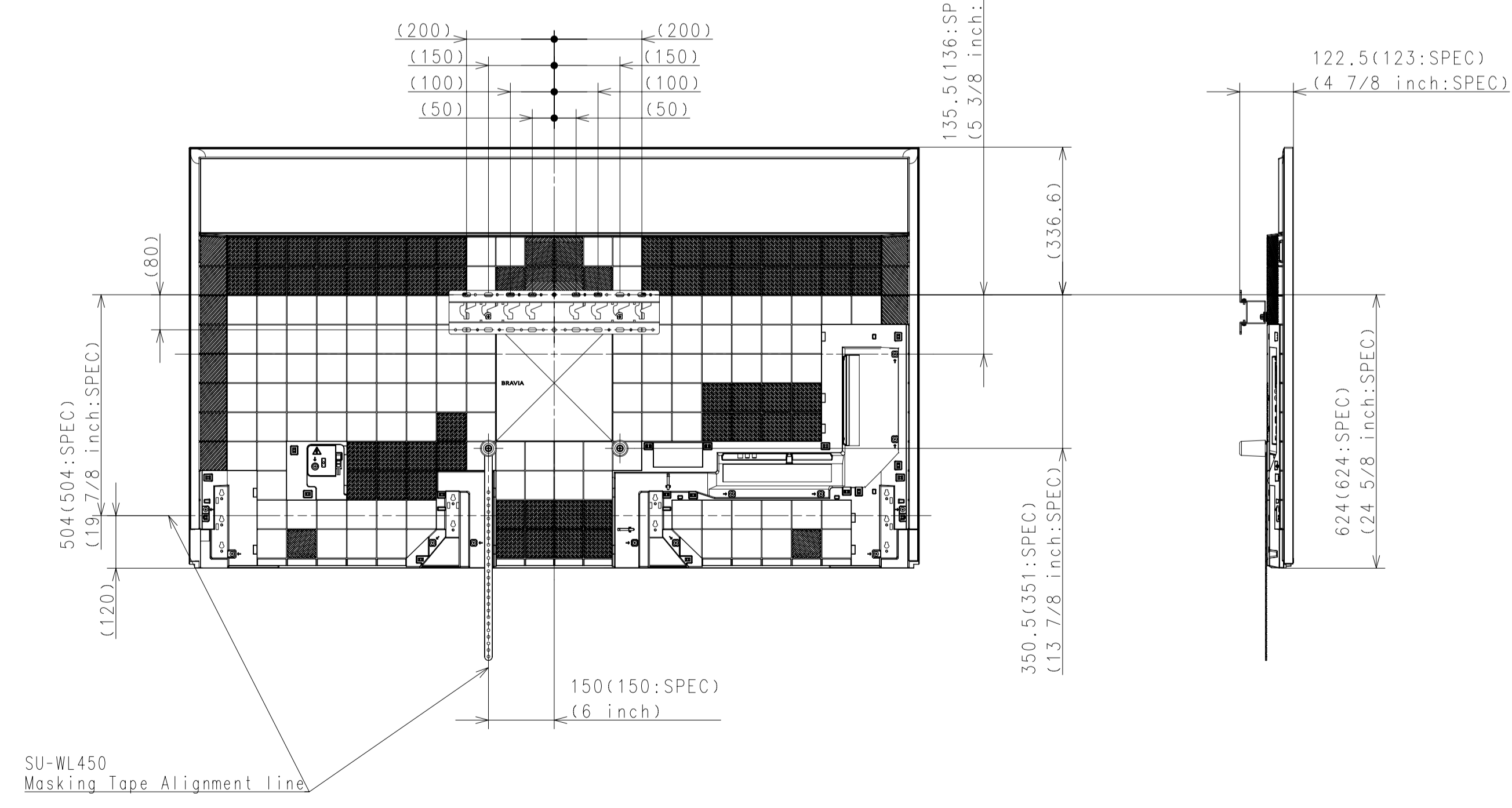
WITHOUT STAND



SU-WL450 SLIM



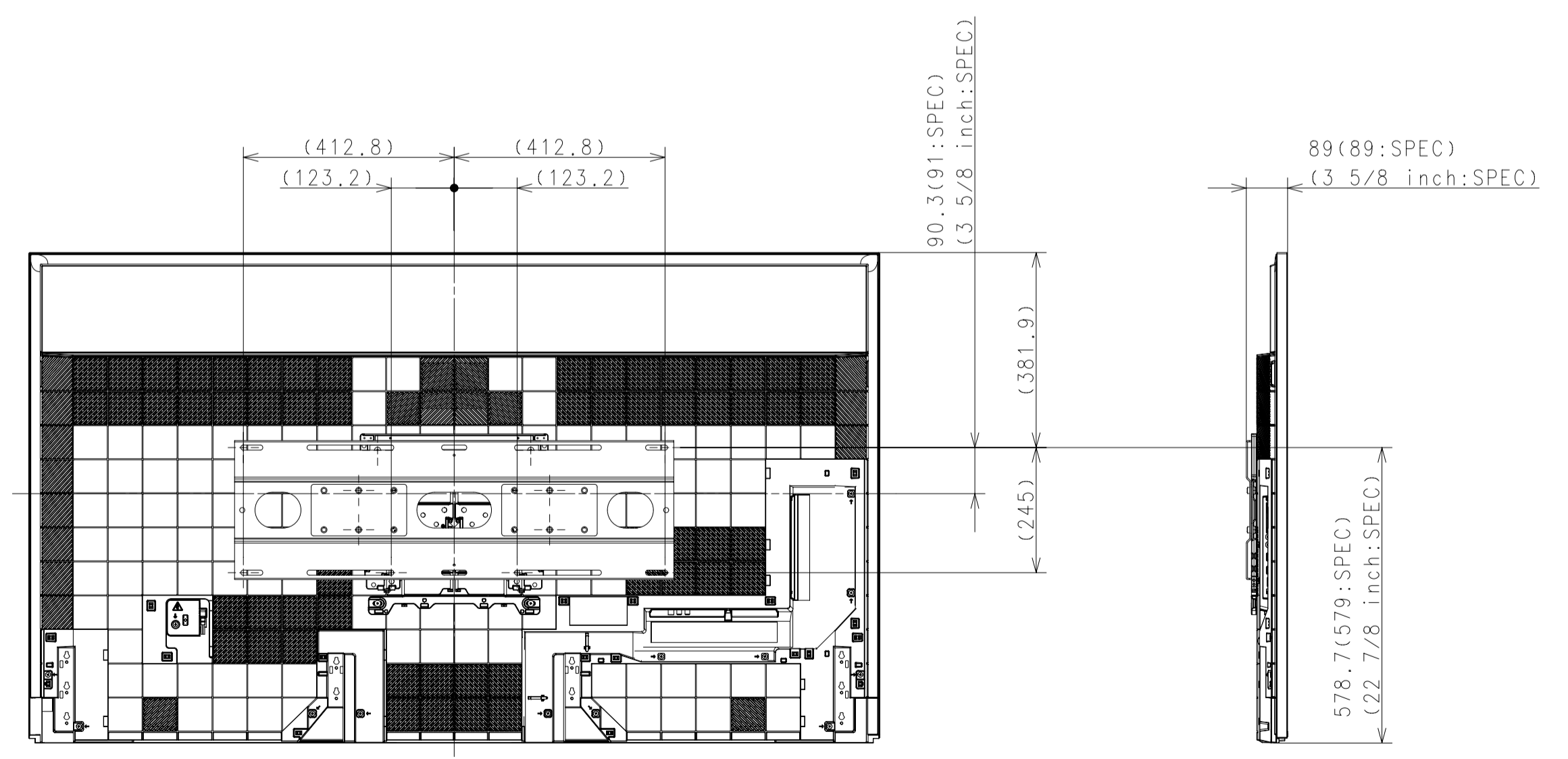
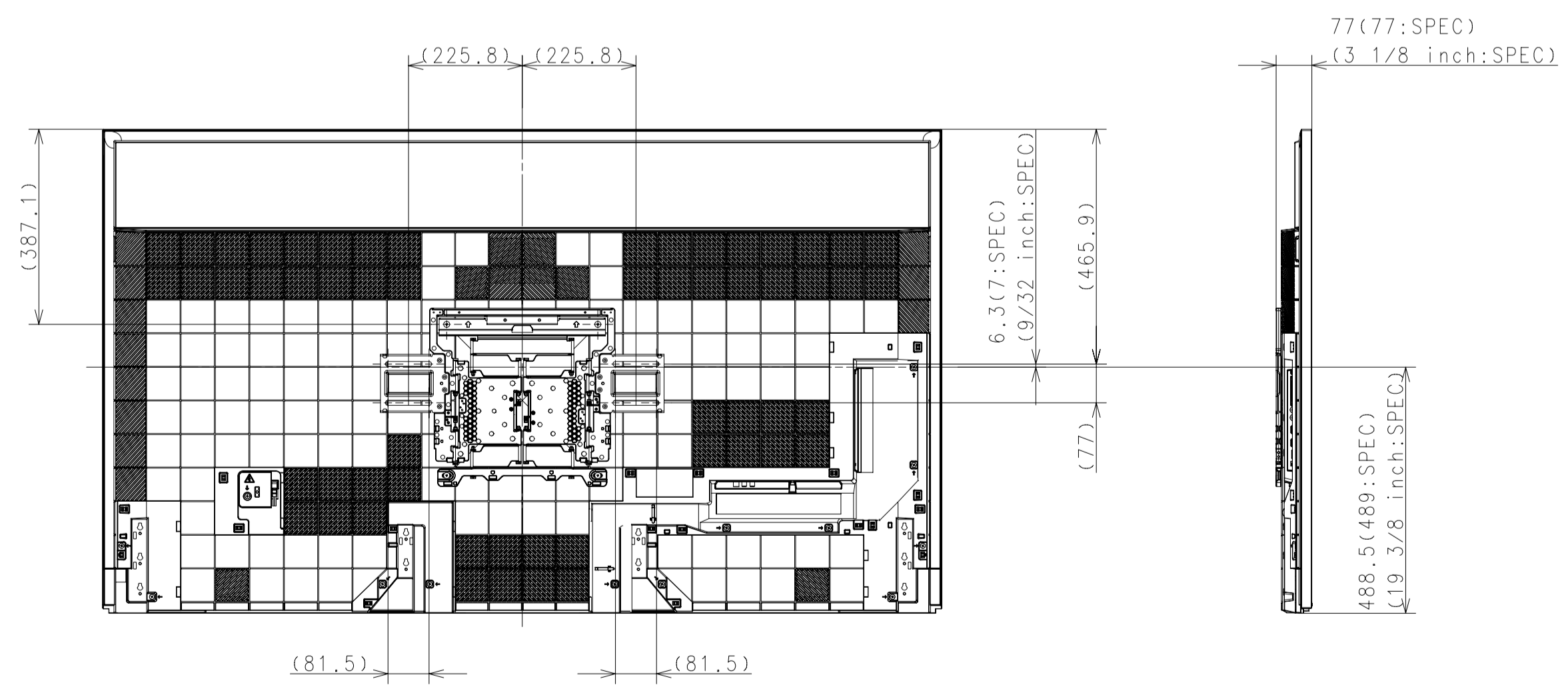
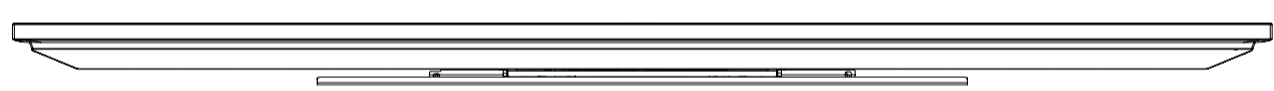
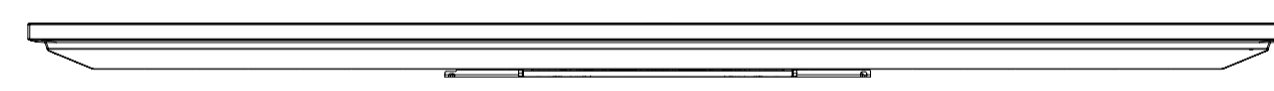
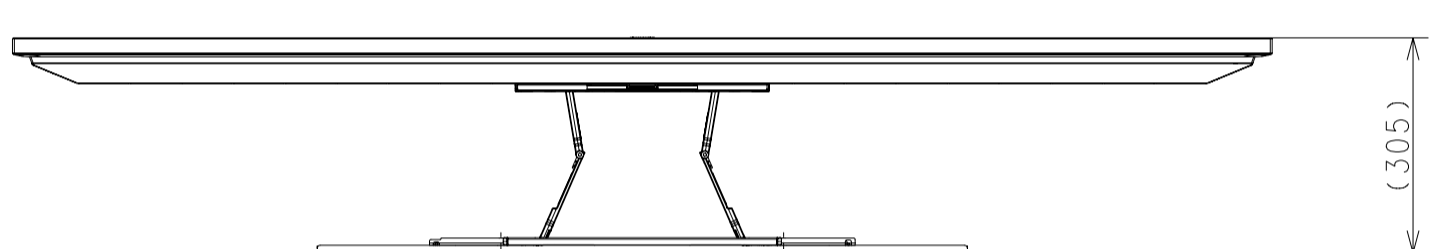
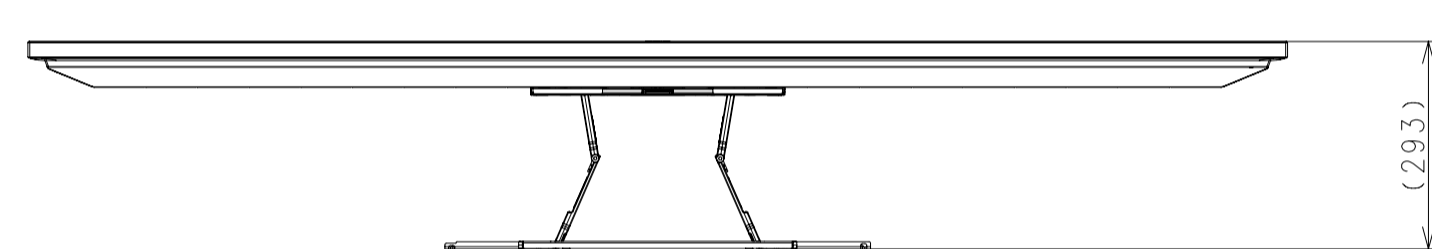
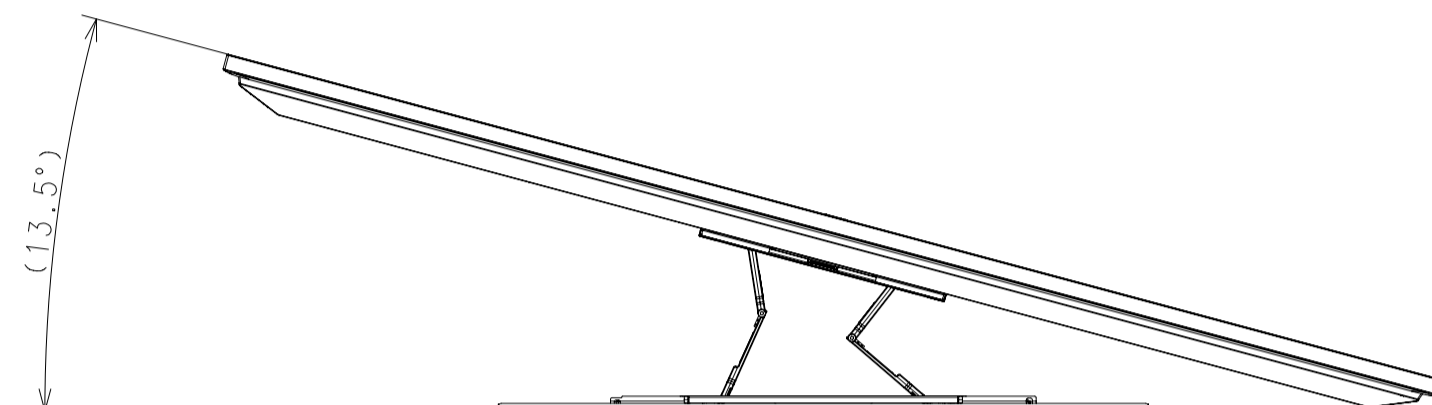
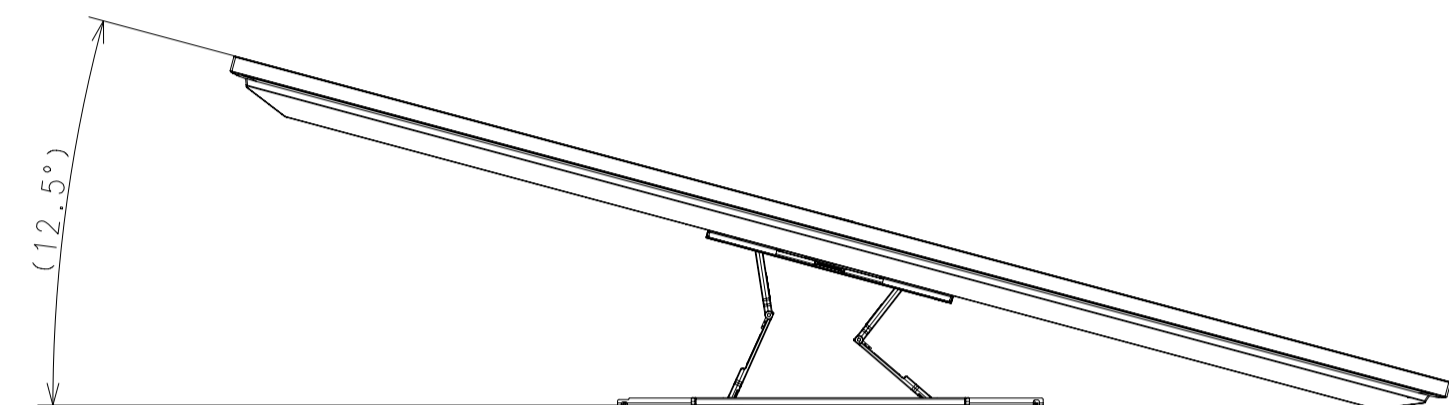
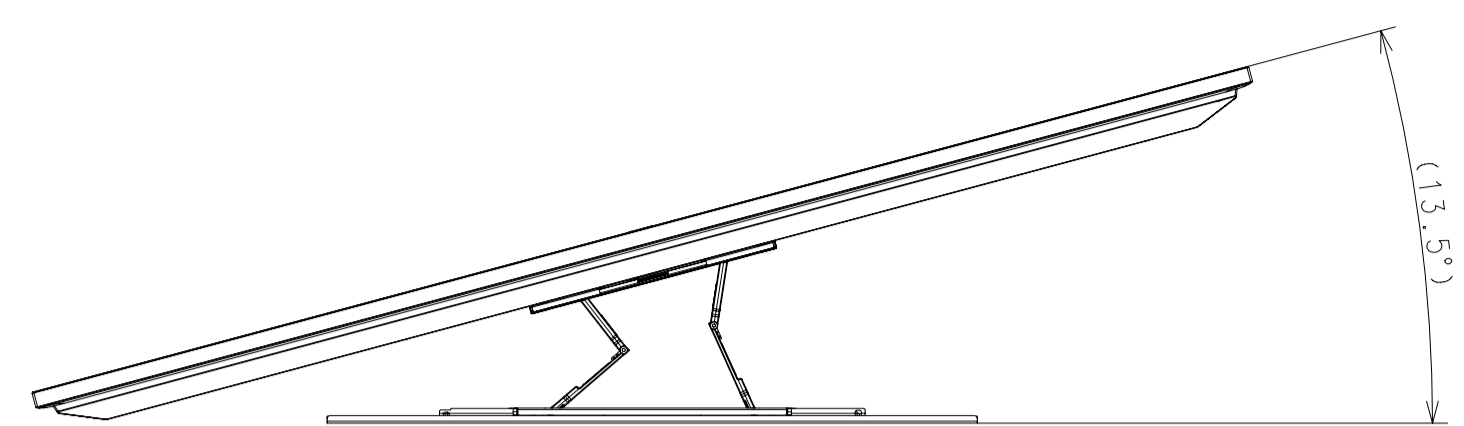
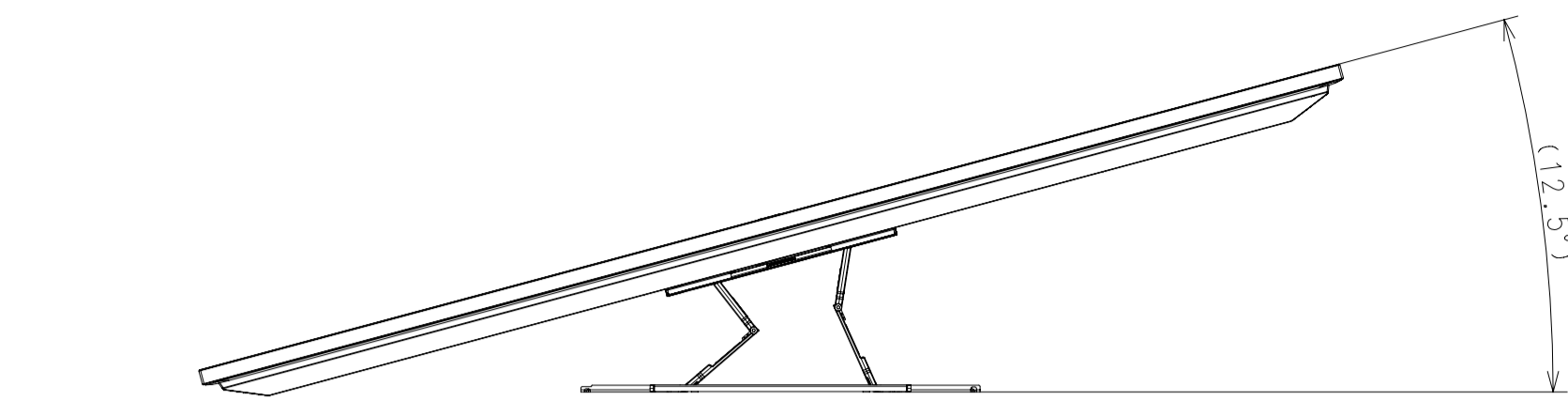
SU-WL450 STANDARD



DESCRIPTION 1	75 (X95J) EXTERIOR VIEW	LEGAL OWNER	Sony Corporation	SCALE	1:10
DESCRIPTION 2	75 (X95J) EXTERIOR VIEW	PART NO.		SHEET/PAGES	3 / 4

SU-WL850

SU-WL855 with LATERAL SHAFT BRACKET



DESCRIPTION	LEGAL OWNER	SCALE
75 (X95J) EXTERIOR VIEW	Sony Corporation	1:10
DESCRIPTION	PART NO.	SHEET/PAGES
75 (X95J) EXTERIOR VIEW		4 / 4