

**SONY**



**Welcome to the new era for Home Cinema**

**Home Cinema Projector 2022**



Enhance your entertainment with a Sony native 4K SXR<sup>™</sup> laser projector that delivers high brightness and true 4K HDR imagery in a compact design.



VPL-XW7000ES/XW6000ES



VPL-XW5000ES









### 3,200 lumens of dazzling brightness

Immerse yourself in the action with brighter, bolder entertainment. The VPL-XW7000ES is 60% brighter than the VPL-VW915ES, engineered with our newly developed Native 4K SXRD™ (Silicon X-tal Reflective Display) panel and Wide Dynamic Range Optics.

It delivers 200 nits\* on a 150-inch screen—bringing you a truly immersive experience.

\*Screen Gain 1.2



### Live Color Enhancer\*

With the newly developed Live Color Enhancer, you'll enjoy lifelike skin tones and vivid images for all your entertainment. The Live Color Enhancer selectively expands the color gamut, for vivid HDR images without unnatural oversaturation. Whether you're watching in daylight or a dark room, you can count on vibrant, true-to-life colors.

\*VPL-XW7000ES only

**New innovative technologies deliver a more immersive viewing experience with extreme clarity, expanded dynamic range and expanded color volume**



Extreme clarity

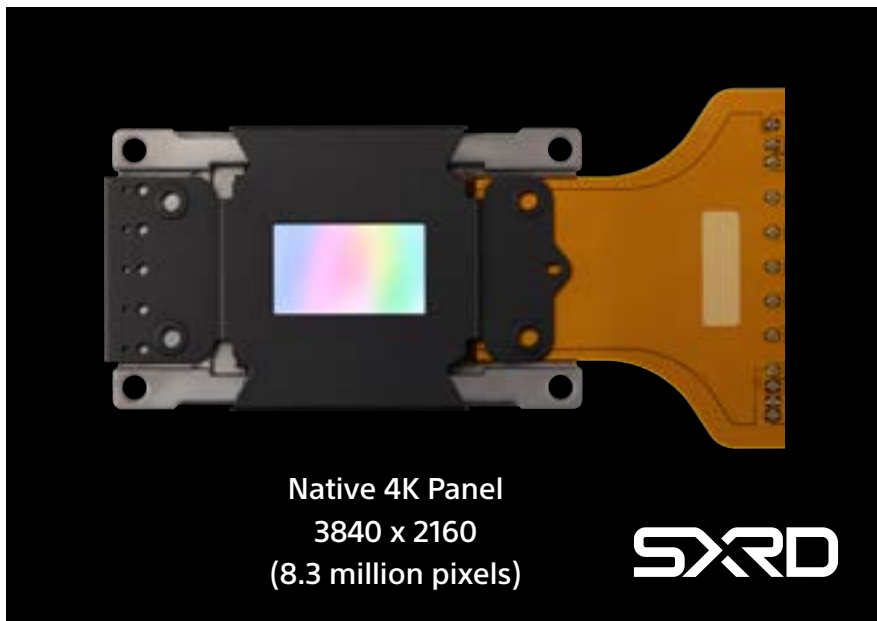


Expanded dynamic range



Expanded color volume

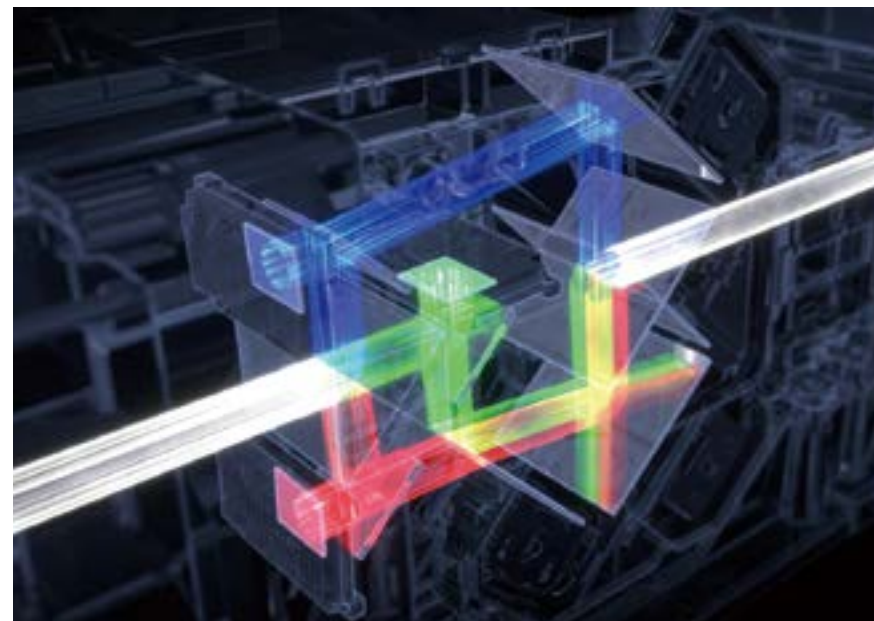




## All-new Native 4K SXR<sup>TM</sup> panel

Immerse yourself in an incredibly lifelike picture with native 4K that offers 8.3 million pixels (3,840 x 2,160).

With an all-new 0.61-inch SXR panel, you'll enjoy high brightness, inky blacks, vibrant colors, rich tones and textures, plus clear cinematic motion and image smoothness.



## All-new Wide Dynamic Range Optics

Our new Wide Dynamic Range Optics contribute to a compact design with better light control by maximising the potential of the laser light source.

The resulting higher color volume means naturally colorful images, even at high brightness levels, and stunning, immersive contrast.

# Flagship-level X1™ Ultimate for projector

X1 Ultimate for projector optimises our acclaimed BRAVIA TV video processing for projection.

The incredible power of this video engine enables advanced data processing, with real-time enhancement of each on-screen object. The result is high dynamic range imagery with texture, color, contrast and realism only available from Sony's home cinema projectors.



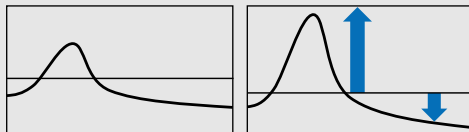
Simulated images

## **Object-based HDR Remaster**

Object-based HDR Remaster analyses the color of individual objects on screen and adjusts the contrast, resulting in more realistic pictures with greater depth and texture.



Simulated images



## **Dynamic HDR Enhancer**

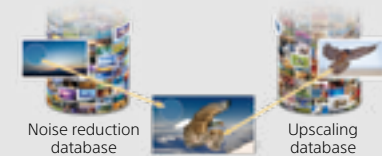
Dynamic HDR Enhancer processes HDR content scene by scene and enhances the contrast in combination with laser output control—bringing you bright 4K HDR images.



Simulated images

## **Object-based Super Resolution**

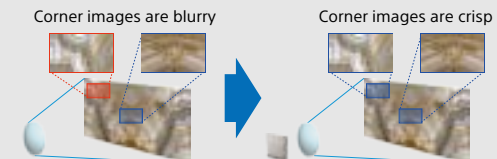
Object-based Super Resolution technology detects individual objects in a picture and enhances each one for exceptional accuracy and detail.



Simulated images

## **Dual Database Processing**

Two powerful image improvement databases work together to improve picture quality in real time. One database helps reduce on-screen noise, while the other is used to upscale the resolution.



Precompensate by Digital Focus Optimizer

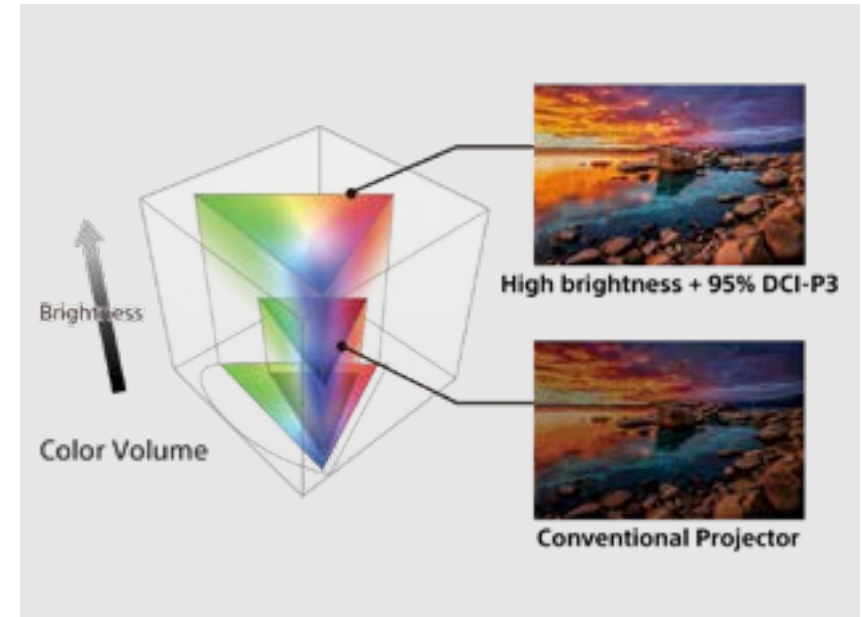
## **Digital Focus Optimiser**

By analysing every pixel and detecting possible degradation in advance, the Digital Focus Optimiser corrects the image quality so that the focus is better than ever, even in the corners.



## True-to-life colors with TRILUMINOS PRO™

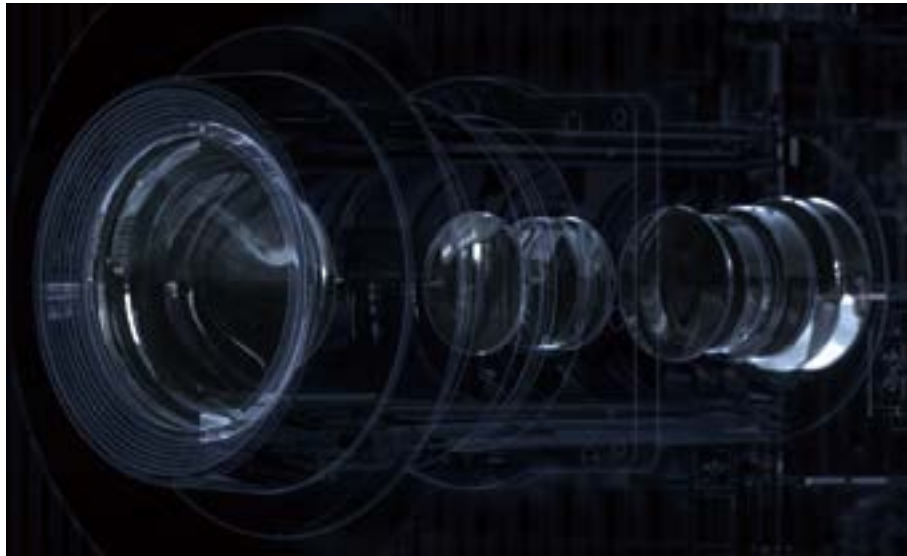
See over a billion colors come to life with TRILUMINOS PRO. Our unique TRILUMINOS PRO algorithm can detect color from saturation, hue and brightness to reproduce natural shades in every detail. You'll enjoy colors that are closer to those seen in the real world.



## Wide color volume

Enjoy spectacular brightness and stunning realism, thanks to new Wide Dynamic Range Optics that achieve a 95% DCI-P3 wide color gamut.





## All-new Advanced Crisp-Focused (ACF) Lens\*

Experience flawless clarity across the entire screen, thanks to our Advanced Crisp-Focused Lens. The 70-mm aspherical front lens widens the focus area, ensuring clear images from corner to corner. A floating focus system utilises two moving lens groups and extra-low dispersion glass for distortion-free images with accurate color reproduction.

\*VPL-XW7000ES/XW6000ES only



**IMAX**  
ENHANCED

## Make the home cinema experience bigger and better than ever

Sony 4K projectors are compatible with IMAX Enhanced content, making them ready to deliver the bigger, more breathtaking IMAX visuals you love in compatible content. Take advantage of the size of your projector screen with movies that become even more immersive with IMAX Enhanced.



## World's most compact native 4K laser projector\*

We've designed the VPL-XW5000ES to be even smaller and lighter than its predecessors by developing the all-new Native 4K SXR<sup>TM</sup> panel and compact Wide Dynamic Range Optics. This laser projector is about 30% smaller in volume and about 35% lighter than the VPL-VW915ES, delivering the same high brightness.

\*As of April 2022, according to research by Sony Corporation in the native 4K projectors market.

### Home Automation Systems



### Remote Monitoring Services

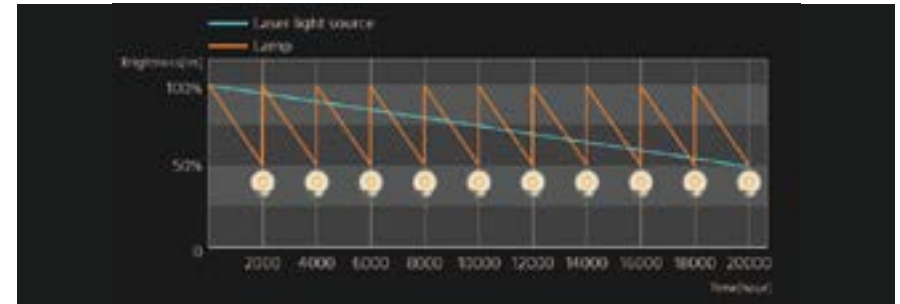


## A smart addition to your smart home

Integrate your 4K projector into your home automation and remote monitoring systems. The projector supports Control4, Crestron, Savant and AMX, as well as OvrC and Domotz—so you can enjoy a smarter, more convenient entertainment experience.

## Designed with the environment in mind

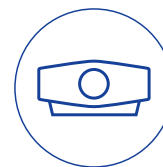
This 4K projector is full of bright ideas—not only for your home entertainment but also for a sustainable future. To reduce our footprint, we created a mercury-free design with a laser light source. We also reduced the amount of virgin plastic used in the main body by more than 25% and the packaging materials by more than 15% compared to the VPL-VW915ES.



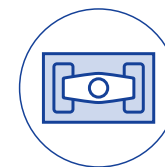
## Enduring brightness from a laser light source

You'll never have to worry about changing the lamp in your home cinema projector—no lamp replacement and virtually no maintenance are required.

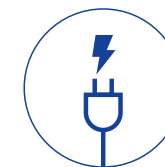
The projector uses an ultra-pure and reliable laser light source, which lets you enjoy perfectly clear 4K pictures at optimal brightness for up to 20,000 uninterrupted hours.



Plastic in body  
**25% ↓**



Foam cushion  
**15% ↓**



Power per lumen  
**30% ↓**



Mercury usage  
**0%**

Package size  
**20% ↓**

The numbers show how VPL-XW5000ES has changed compared to conventional model VPL-VW915ES.



## Other Features

VPL-GTZ380/XW7000ES/XW6000ES/XW5000ES

### 4K Motionflow™



Without Motionflow



With Motionflow

Simulated images

The powerful video processor in the projector offers Motionflow for smooth and clear motion, even when viewing 4K content.

Motionflow is ideal for fast-moving sports content, as it adds frames to reduce blur while maintaining brightness.

Cinema purists can choose True Theatre mode to retain the original 24 fps.

VPL-GTZ380/XW7000ES/XW6000ES/XW5000ES

### Input Lag Reduction



Off



On

Simulated images

Enjoy the latest games lag-free on the big screen. All of our 4K projectors include input lag reduction that enables the player's input to be reflected on screen without delay.

The projector supports 4K 60 Hz input with an input lag under 21 ms, and 2K 120 Hz input with an input lag under 13 ms.

VPL-GTZ380/XW7000ES/XW6000ES

### Picture Position Memory

Store focus, zoom and lens-shift settings for up to five screen formats for easy recall. Picture Position Memories store key settings so you can quickly watch movies in the ideal format. Match aspect ratios, including 16:9 and Cinemascope, and store these settings in your 4K projector.

VPL-GTZ380/XW7000ES/XW6000ES

### Motorized zoom lens and wide lens shift

Installing your 4K laser projector in any room is easy with a motorized zoom and a wide lens shift range. Adjust the image position vertically and horizontally for the perfect setup whatever your room size.

VPL-GTZ380/XW7000ES/XW6000ES/XW5000ES

### Anamorphic lens compatibility for 4K signals (V-stretch for 4K)

Wide lens compatibility means you can use your legacy anamorphic lenses with ease, even with 4K content.

Watch your content in your favorite formats with a full-size picture, thanks to the V-stretch function.

# Bright, immersive entertainment from a native 4K laser projector

2022 NEW



VPL-XW7000ES

Laser with ACF-Lens

4K HDR

3,200 lm

Delivering extraordinary brightness, the VPL-XW7000ES brings an authentic big screen experience to your home. Enjoy crisp images full of lifelike colors, even in well-lit spaces like your media room or living room.

# Savour the authentic big-screen experience with a native 4K laser projector

2022 NEW



VPL-XW6000ES

Laser with ACF-Lens

4K HDR

2,500 lm

Enjoy bolder, crisper entertainment with up to 2,500 lumens of brightness, generated by a long-lasting laser light source, for vibrant images even on a large screen.



# Bring home entertainment with a native 4K, high-value laser projector

2022 NEW



VPL-XW5000ES

Laser

4K HDR

2,000 lm

Bring the action home with up to 2,000 lumens of high brightness, generated by a long-lasting laser light source, for vibrant images even on a large screen.

# Ultimate 4K SXRD™ 10,000lm Laser Projector



VPL-GTZ380

Laser with ARC-F lens\*

4K HDR

10,000 lm

The Sony VPL-GTZ380 is the world's most advanced projector designed for large home cinemas to bring a true theater experience home. An exceptional 10,000 lumens of brightness with 100% DCI-P3 wide color gamut is perfect for the largest and most lavishly equipped home cinema rooms and well-lit living spaces alike. The VPL-GTZ380 brings movies to life with strikingly expressive images that deliver an unforgettable viewing experience, for whatever you're watching.

\*The ARC-F lens is optional.

# Sony Home Cinema Projector Lineup

4K HDR LASER PHOSPHOR PROJECTOR				
		 <b>NEW</b>	 <b>NEW</b>	 <b>NEW</b>
Model	VPL-GTZ380	VPL-XW7000ES	VPL-XW6000ES	VPL-XW5000ES
Brightness	10,000 lm	3,200 lm	2,500 lm	2,000 lm
Picture Engine	X1™ Ultimate for projector	X1™ Ultimate for projector	X1™ Ultimate for projector	X1™ Ultimate for projector
Dynamic HDR Enhancer	Yes	Yes	Yes	Yes
Resolution	4K	4K	4K	4K
Lens (Bundled)	-	ACF-Lens	ACF-Lens	Standard 4K Lens
Dynamic Contrast	∞:1	∞:1	∞:1	∞:1
Color space	100% DCI-P3 Triluminos™ PRO Display	95% DCI-P3 Triluminos™ PRO Display	95% DCI-P3 Triluminos™ PRO Display	95% DCI-P3 Triluminos™ PRO Display
Picture Position	Yes	Yes	Yes	-
Accessories Lens (Optional)	VPLL-Z8014 (Standard ARC-F) VPLL-Z8008 (Short throw)	-	-	-



# Specifications

	VPL-GTZ380	VPL-XW7000ES	VPL-XW6000ES	VPL-XW5000ES
Display system	4K SXRD panel, projection system	4K SXRD panel, projection system	4K SXRD panel, projection system	4K SXRD panel, projection system
Display device	0.74" x 3	0.61" x 3	0.61" x 3	0.61" x 3
Number of pixels	26,542,080 (4096 x 2160 x 3) pixels	24,883,200 (3840 x 2160 x 3) pixels	24,883,200 (3840 x 2160 x 3) pixels	24,883,200 (3840 x 2160 x 3) pixels
Projection lens	Powered	Powered	Powered	Manual
Zoom	Powered	Powered (Approx. x 2.1)	Powered (Approx. x 2.1)	Manual (Approx. x 1.60)
Lens shift	VPLL-Z8014 (Optional) : Powered, Vertical: +/-80 %, Horizontal: +/-33 % VPLL-Z8008 (Optional) : Powered, Vertical: +/-50 %, Horizontal: +/-19 %	Powered, Vertical +/- 85 %, Horizontal +/- 36 %	Powered, Vertical +/- 85 %, Horizontal +/- 36 %	Manual, Vertical +/- 71 %, Horizontal +/- 25 %
Throw ratio*1	VPLL-Z8014 (Optional) : 1.49 : 1 to 2.91 : 1 VPLL-Z8008 (Optional) : 0.85 : 1 to 1.09 : 1	1.35:1 to 2.84:1	1.35:1 to 2.84:1	1.38:1 to 2.21:1
Light source	Laser diode	Laser diode	Laser diode	Laser diode
Recommended lamp replacement time*2	-	-	-	-
Light output	10,000 lm	3,200 lm	2,500 lm	2,000 lm
Dynamic contrast	∞ : 1	∞ : 1	∞ : 1	∞ : 1
Accepted digital signals	720 x 576/50p, 720 x 480/60p, 1280 x 720/50p, 1280 x 720/60p, 1920 x 1080/50i, 1920 x 1080/60i, 1920 x 1080/24p, 1920 x 1080/50p, 1920 x 1080/60p, 1920 x 1080/120p, 1920 x 1080/100p, 3840 x 2160/24p, 3840 x 2160/25p, 3840 x 2160/30p, 3840 x 2160/50p, 3840 x 2160/60p, 4096 x 2160/24p, 4096 x 2160/25p, 4096 x 2160/30p, 4096 x 2160/50p, 4096 x 2160/60p, WUXGA/60p, QXGA/60p, QXGA/120p, WQHD/60p, WQHD/120p, WQXGA/60p, WQXGA/120p	720 x 576/50p, 720 x 480/60p, 1280 x 720/50p, 1280 x 720/60p, 1920 x 1080/50i, 1920 x 1080/60i, 1920 x 1080/24p, 1920 x 1080/50p, 1920 x 1080/60p, 1920 x 1080/120p, 3840 x 2160/24p, 3840 x 2160/25p, 3840 x 2160/30p, 3840 x 2160/50p, 3840 x 2160/60p, 4096 x 2160/24p, 4096 x 2160/25p, 4096 x 2160/30p, 4096 x 2160/50p, 4096 x 2160/60p	720 x 576/50p, 720 x 480/60p, 1280 x 720/50p, 1280 x 720/60p, 1920 x 1080/50i, 1920 x 1080/60i, 1920 x 1080/24p, 1920 x 1080/50p, 1920 x 1080/60p, 1920 x 1080/120p, 3840 x 2160/24p, 3840 x 2160/25p, 3840 x 2160/30p, 3840 x 2160/50p, 3840 x 2160/60p, 4096 x 2160/24p, 4096 x 2160/25p, 4096 x 2160/30p, 4096 x 2160/50p, 4096 x 2160/60p	720 x 576/50p, 720 x 480/60p, 1280 x 720/50p, 1280 x 720/60p, 1920 x 1080/50i, 1920 x 1080/60i, 1920 x 1080/24p, 1920 x 1080/50p, 1920 x 1080/60p, 1920 x 1080/120p, 3840 x 2160/24p, 3840 x 2160/25p, 3840 x 2160/30p, 3840 x 2160/50p, 3840 x 2160/60p, 4096 x 2160/24p, 4096 x 2160/25p, 4096 x 2160/30p, 4096 x 2160/50p, 4096 x 2160/60p
Input Output (Computer / Video / Control)	HDMI x 2 (HDCP2.3) Display Port x 2 (HDCP2.3) Trigger x 2 (Mini jack, DC 12 V, Max. 100 mA) RS-232C x 1 (D-sub 9-pin (male)) LAN x 1 (RJ-45, 10BASE-T/100BASE-TX) IR IN / OUT IN: x 1, Out: x 1 (Mini jack) 3D SYNC OUT x 1 (3-pin mini-DIN (VESA 3D)) USB x 1 (Type A, DC 5 V, Max. 500 mA)	x 2 (HDCP2.3) - x 1 (Mini jack, DC 12 V, Max. 100 mA) x 1 (D-sub 9-pin (male)) x 1 (RJ-45, 10BASE-T/100BASE-TX) IN: x 1 (Mini jack) x 1 (Mini jack)	x 2 (HDCP2.3) - x 1 (Mini jack, DC 12 V, Max. 100 mA) x 1 (D-sub 9-pin (male)) x 1 (RJ-45, 10BASE-T/100BASE-TX) IN: x 1 (Mini jack) x 1 (Mini jack)	x 2 (HDCP2.3) - x 1 (Mini jack, DC 12 V, Max. 100 mA) x 1 (D-sub 9-pin (male)) x 1 (RJ-45, 10BASE-T/100BASE-TX) IN: x 1 (Mini jack) - x 1 (Type A, DC 5 V, Max. 500 mA)
Picture processor	X1 Ultimate for projector	X1™ Ultimate for projector	X1™ Ultimate for projector	X1™ Ultimate for projector
Object-based HDR remaster	Yes	Yes	Yes	Yes
Dynamic HDR Enhancer	Yes	Yes	Yes	Yes
Object-based Super Resolution	Yes	Yes	Yes	Yes
Dual database processing	Yes	Yes	Yes	Yes
Digital Contrast Optimizer	Yes	Yes	Yes	Yes
Digital Focus Optimizer	Yes	Yes	Yes	Yes
Dynamic contrast control	Dynamic laser control	Dynamic laser control	Dynamic laser control	Dynamic laser control
Motionflow	Yes	Yes	Yes	Yes
HDR Format	HDR10/HLG	HDR10/HLG	HDR10/HLG	HDR10/HLG
3D	Yes	Yes	Yes	-
Picture position memory	5	3	3	-
Input lag reduction	Yes (4K/2K)	Yes (4K/2K)	Yes (4K/2K)	Yes (4K/2K)
Acoustic noise*3	33-39 dB	26 dB	26 dB	24 dB
Power requirements	AC 200-240 V, 50/60 Hz, AC 100-120 V, 50/60 Hz (Brightness is dimmed.)	AC 100-240 V, 50/60 Hz	AC 100-240 V, 50/60 Hz	AC 100-240 V, 50/60 Hz
Power consumption	Max. 2.0 kW (TBD)	420 W	350 W	295 W
Standby	0.4 W (when "Remote Start" is set to "Off")	0.3 W (when "Remote Start" is set to "Off")	0.3 W (when "Remote Start" is set to "Off")	0.3 W (when "Remote Start" is set to "Off")
Networked Standby	1.0 W (LAN) (when "Remote Start" is set to "On")	0.5 W (LAN) (when "Remote Start" is set to "On") When a LAN terminal is not connected, it becomes a low power consumption mode (0.5 W)	0.5 W (LAN) (when "Remote Start" is set to "On") When a LAN terminal is not connected, it becomes a low power consumption mode (0.5 W)	0.5 W (LAN) (when "Remote Start" is set to "On") When a LAN terminal is not connected, it becomes a low power consumption mode (0.5 W)
Dimensions (Without Protrusions)	W 560 x H 228 x D 760 mm (W 22 1/16 x H 8 31/32 x D 29 15/16 in)	W 460 x H 210 x D 517 mm (W 18 1/8 x H 8 9/32 x D 20 11/32 in)	W 460 x H 210 x D 517 mm (W 18 1/8 x H 8 9/32 x D 20 11/32 in)	W 460 x H 200 x D 472 mm (W 18 1/8 x H 7 7/8 x D 18 19/32 in)
Mass	Approx. 51 kg / 112 lb.	Approx. 14 kg / 31 lb	Approx. 14 kg / 31 lb	Approx. 13 kg / 28 lb
Supplied accessories	RM-PJ29 Remote Commander (1), Size AA (R6) Manganese Batteries (2), AC power Cord (1), Lens Cap (1), Plug holder (1), Safety Regulations (1)	Remote Control (RM-PJ24), Size AA (R6) manganese batteries (2), AC Power Cord (1), Lens Cap (1), Setup Guide (1)	Remote Control (RM-PJ24), Size AA (R6) manganese batteries (2), AC Power Cord (1), Lens Cap (1), Setup Guide (1)	Remote Control (RM-PJ28), Size AA (R6) manganese batteries (2), AC Power Cord (1), Lens Cap (1), Setup Guide (1)
Optional accessories	VPLL-Z8014 (Normal throw lens) VPLL-Z8008 (Short throw lens)	-	-	-

\*1 Display size : 16:9 \*2 The figures are expected maintenance time and not guaranteed. They will depend on the environment or how the projector is used.

\*3 Depends on the projector setting condition and usage environment.

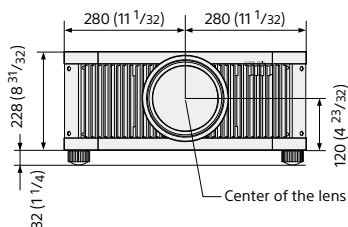
Unit : mm (inches)

VPL-GTZ380

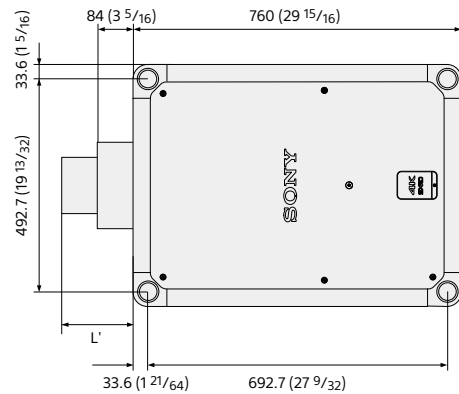
## CONNECTOR PANELS



Front



Bottom



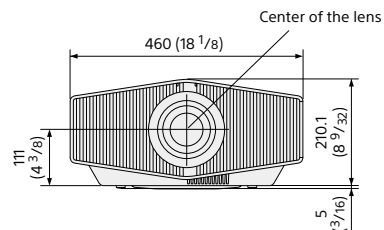
\*VPL-GTZ380  
VPLL-Z8014 (Optional) : L' = 173 (6 13/16)  
VPLL-Z8008 (Optional) : L' = Wide 184 (7 1/4) / Tele 175 (6 7/8)

VPL-XW7000ES/XW6000ES

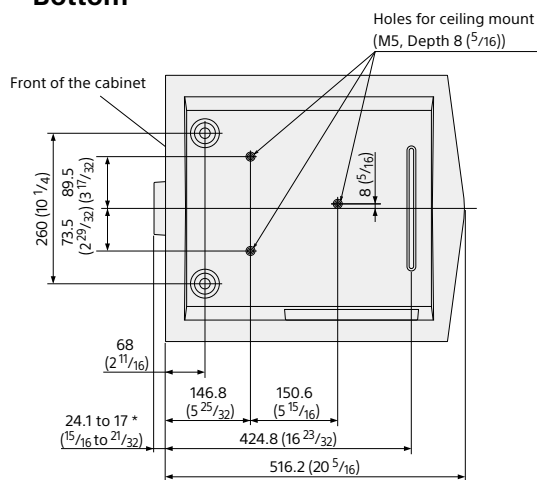
## CONNECTOR PANELS



Front



Bottom



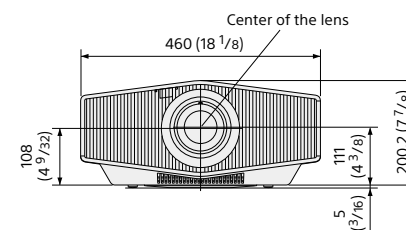
\*VPL-XW7000ES/XW6000ES  
Varies depending on how focus is adjusted.

VPL-XW5000ES

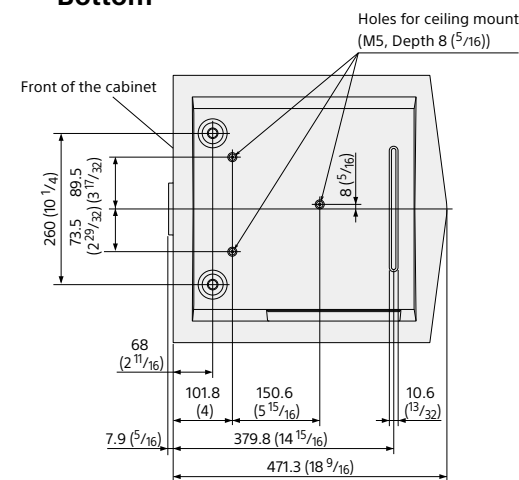
## CONNECTOR PANELS



Front



Bottom



# SONY

**Distributed by**

©2022 Sony Corporation. All rights reserved.

Reproduction in whole or in part without written permission is prohibited.

Features, design, and specifications are subject to change without notice.

The values for mass and dimension are approximate.

Some images in this brochure are simulated.

"SONY" is a registered trademark of Sony Corporation.

"Z-Phosphor", "TRILUMINOS" and "Remote Commander" are trademarks of Sony Corporation.

SXRD is a registered trademark or a trademark of Sony Group Corporation or its affiliates.

IMAX® is a registered trademark of IMAX Corporation in the United States and/or other countries.

All Rights Reserved.

The terms HDMI and HDMI High-Definition Multimedia Interface, and the HDMI Logo are trademarks or registered trademarks of HDMI Licensing LLC in the United States and other countries.

All other trademarks are the property of their respective owners.

Please visit Sony's professional website or contact your Sony representative for specific models available in your region.

MK21004V1YIT22APR