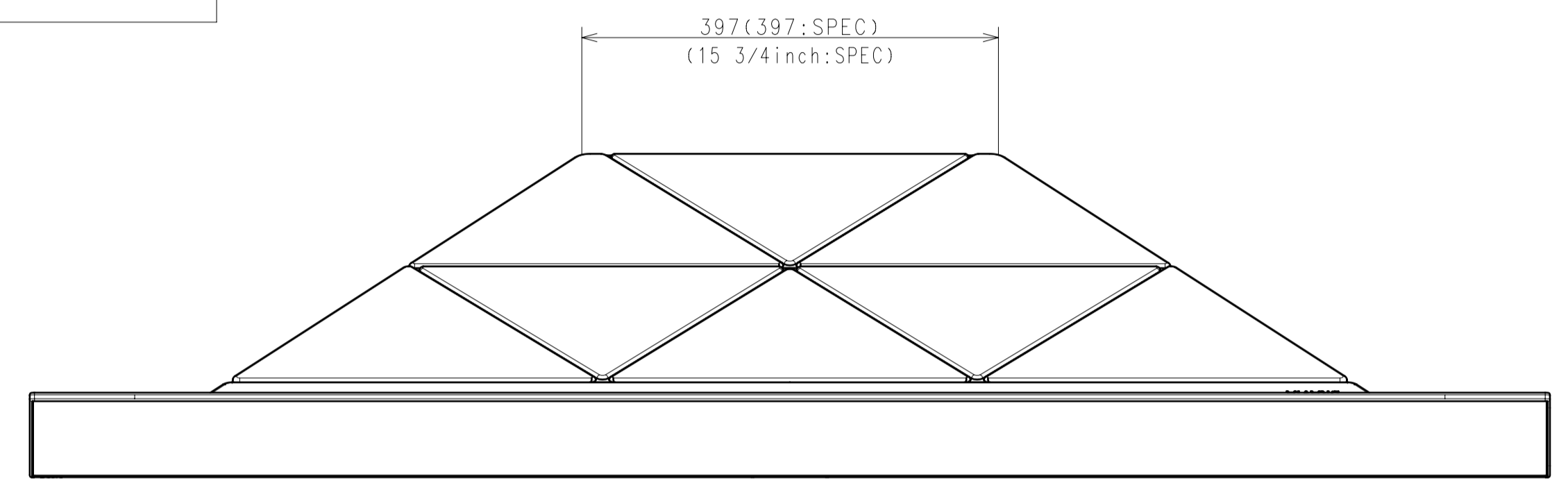
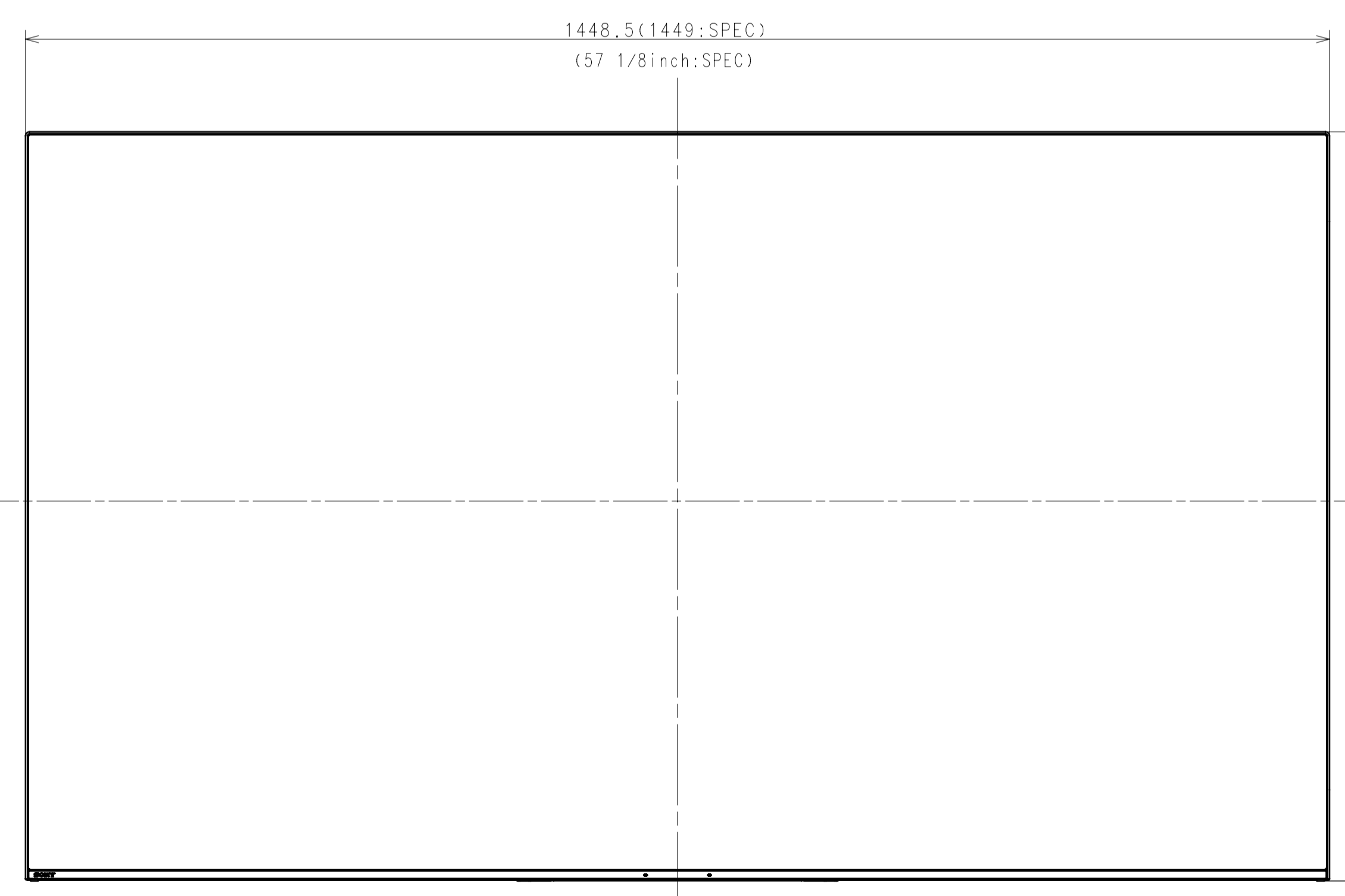
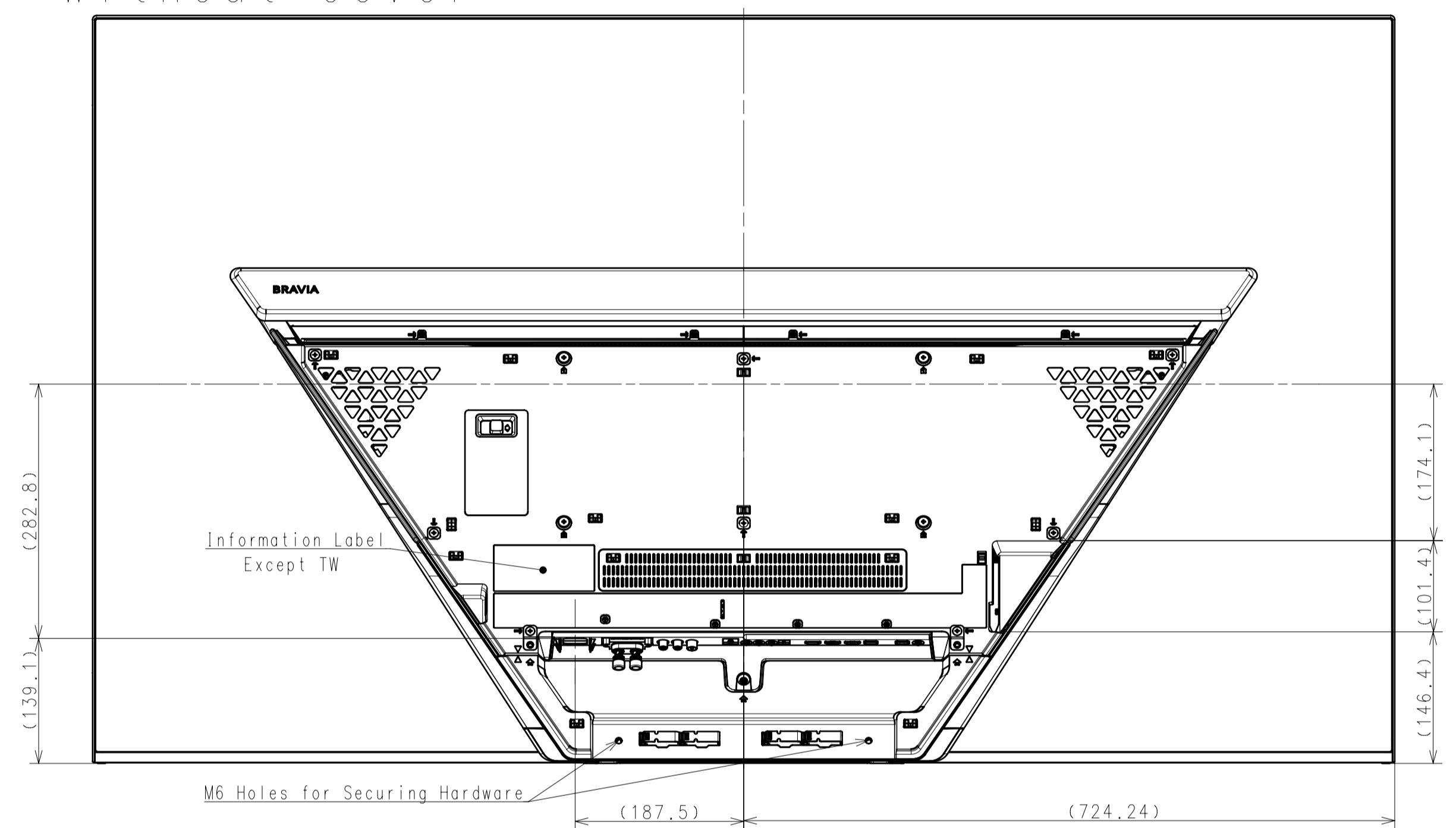


Area	JAPAN	NORTH AMERICA	LATIN AMERICA	EUROPE	GENERAL AREA	CHINA
Model Name	KJ-65A9F	XBR-65A9F	XBR-65A9F	KD-65AF9	KD-65A9F	KD-65A9F
SV No.	SV-34325	SV-34075	SV-34075(LA1)	SV-34306	SV-34185	SV-34266
DIMENSION						
TV only (WxHxD)	144.9x83.5x8.6(0.81) cm	1449x835x86(8.1) mm / 57 1/8 x 32 7/8 x 3 1/2(11/32) inch	1449x835x86(8.1) mm	Approx. 144.9x83.5x8.6(0.81) cm	Approx. 1449x835x86(8.1) mm	Approx. 1449x835x86(8.1) mm
TV with Stand (WxHxD)	144.9x83.2x32.0 cm	1449x832x320 mm / 57 1/8 x 32 7/8 x 12 5/8 inch	1449x832x320 mm	Approx. 144.9x83.2x32.0 cm	Approx. 1449x832x320 mm	Approx. 1449x832x320 mm
Media Receiver (WxHxD)	-	-	-	-	-	-
Monitor only (WxHxD)	-	-	-	-	-	-
Monitor with Stand (WxHxD)	-	-	-	-	-	-
Media Receiver with Stand (WxHxD)	-	-	-	-	-	-
Satellite Speaker (WxHxD)	-	-	-	-	-	-
Stand Width	39.7 cm	397 mm / 15 3/4 inch	397 mm	Approx. 39.7 cm	Approx. 397 mm	Approx. 397 mm
VESA Hole Pitch	40.0x20.0 cm	400x200 mm / 15 3/4 x 7 7/8 inch	400x200 mm	40.0x20.0 cm	400x200 mm	400x200 mm
WEIGHT						
TV Only	27.2 Kg	27.2 Kg / 60.0 lb	27.2 Kg	Approx. 27.2 Kg	Approx. 27.2 Kg	Approx. 27.2 Kg
TV With Stand	35.6 Kg	35.6 Kg / 78.5 lb	35.6 Kg	Approx. 35.6 Kg	Approx. 35.6 Kg	Approx. 35.6 Kg
Media Receiver	-	-	-	-	-	-
Monitor Only	-	-	-	-	-	-
Monitor With Stand	-	-	-	-	-	-
Media Receiver with Stand	-	-	-	-	-	-
Satellite Speaker	-	-	-	-	-	-
Remarks						

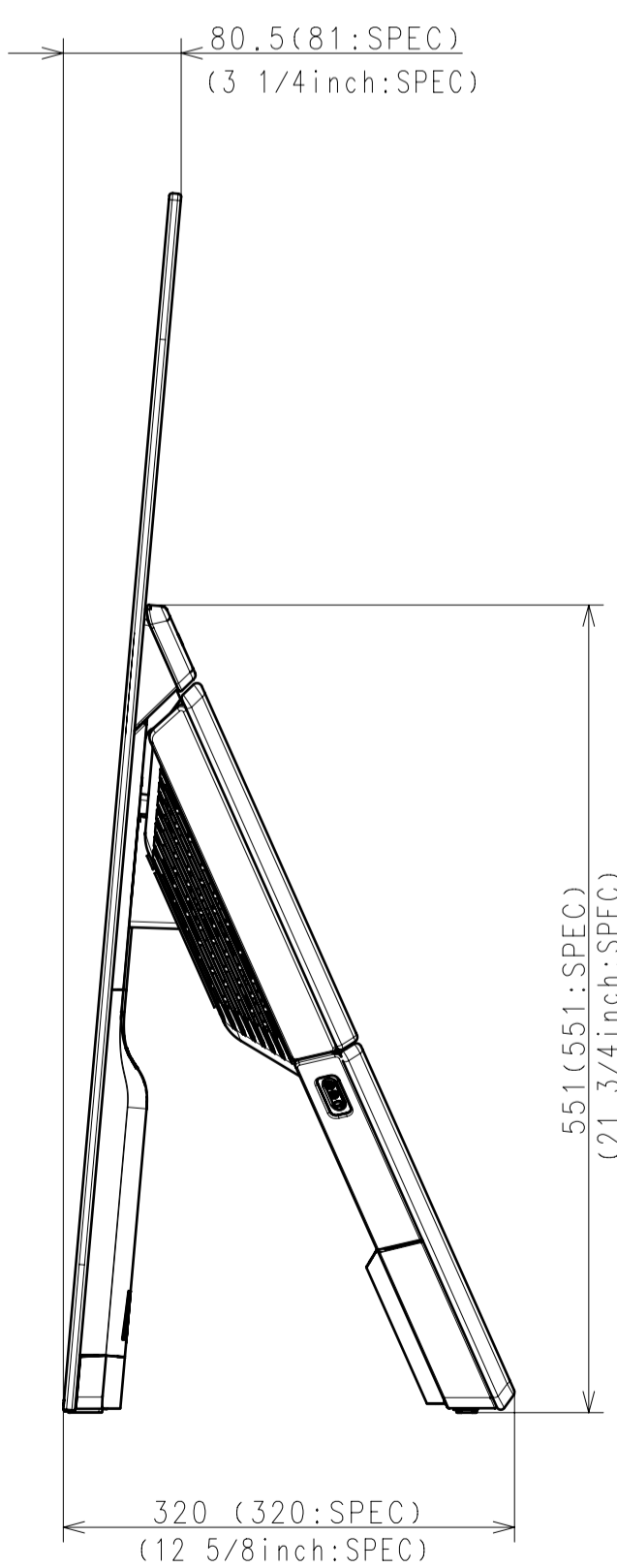
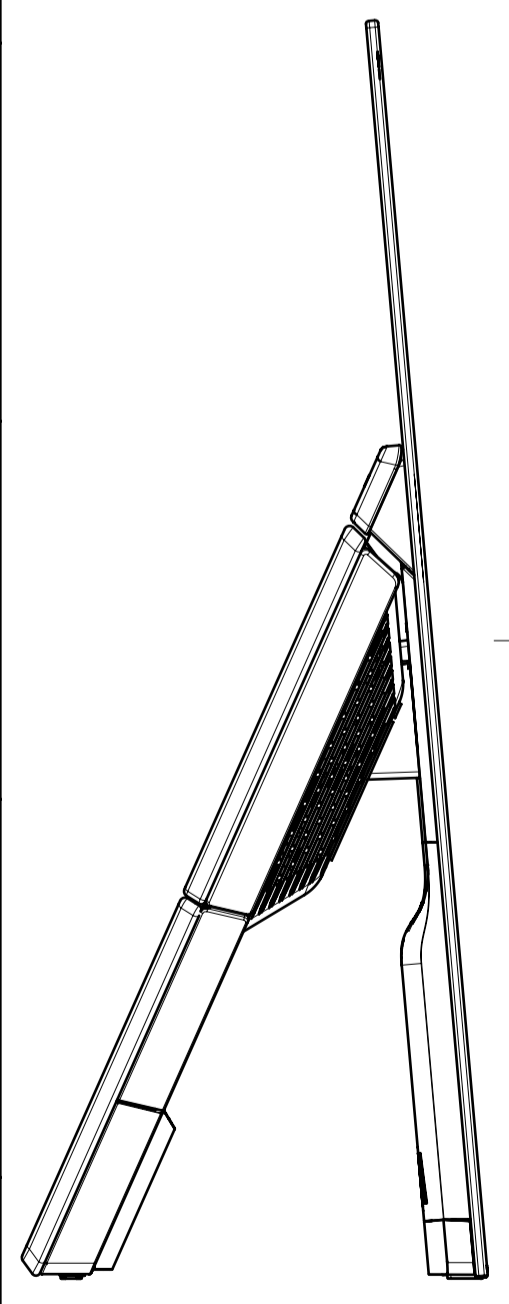
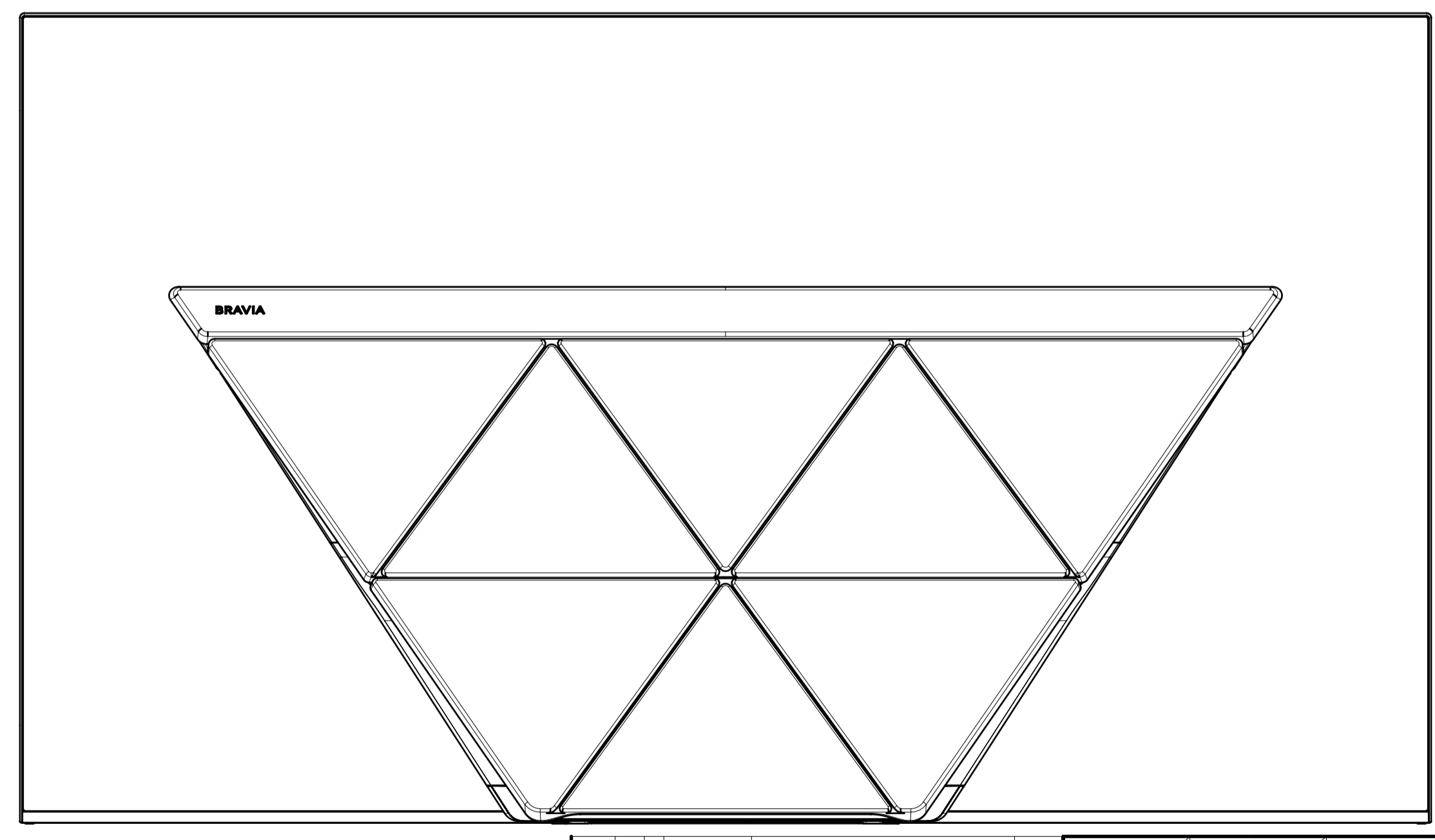
TV with Stand



without cover

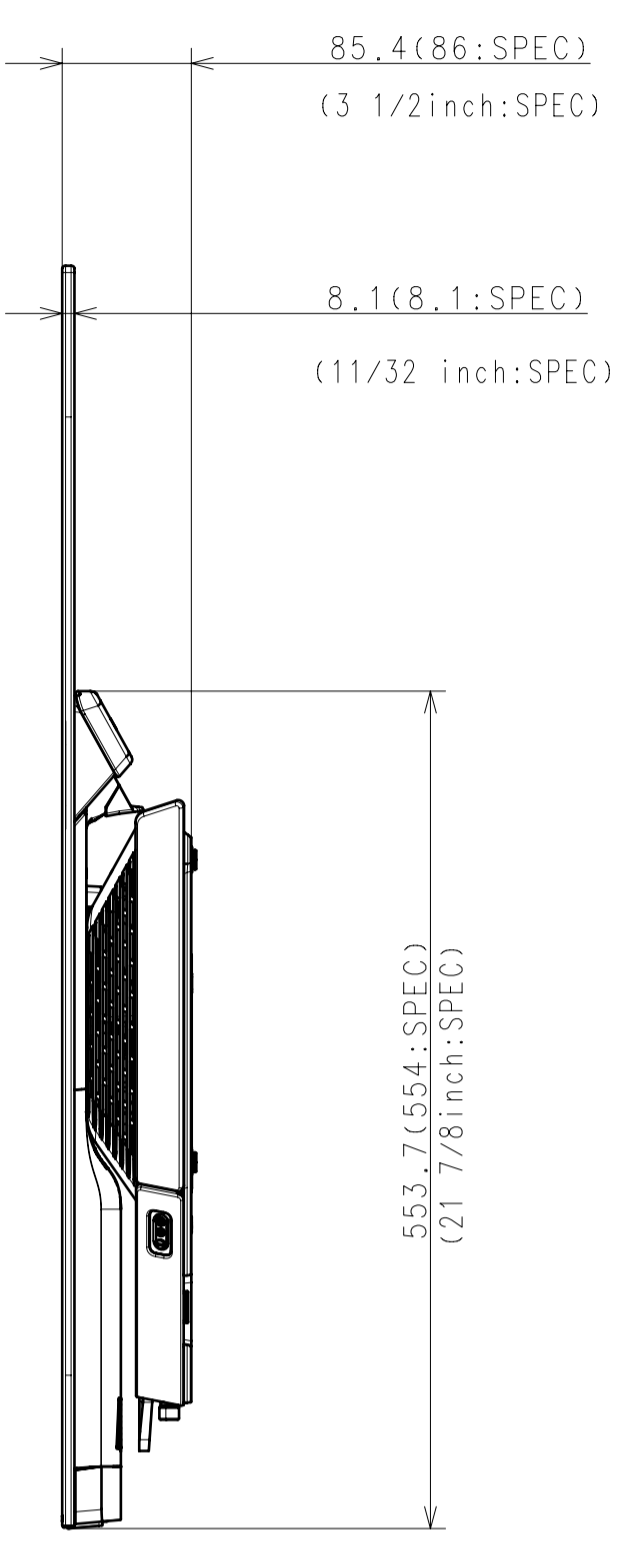
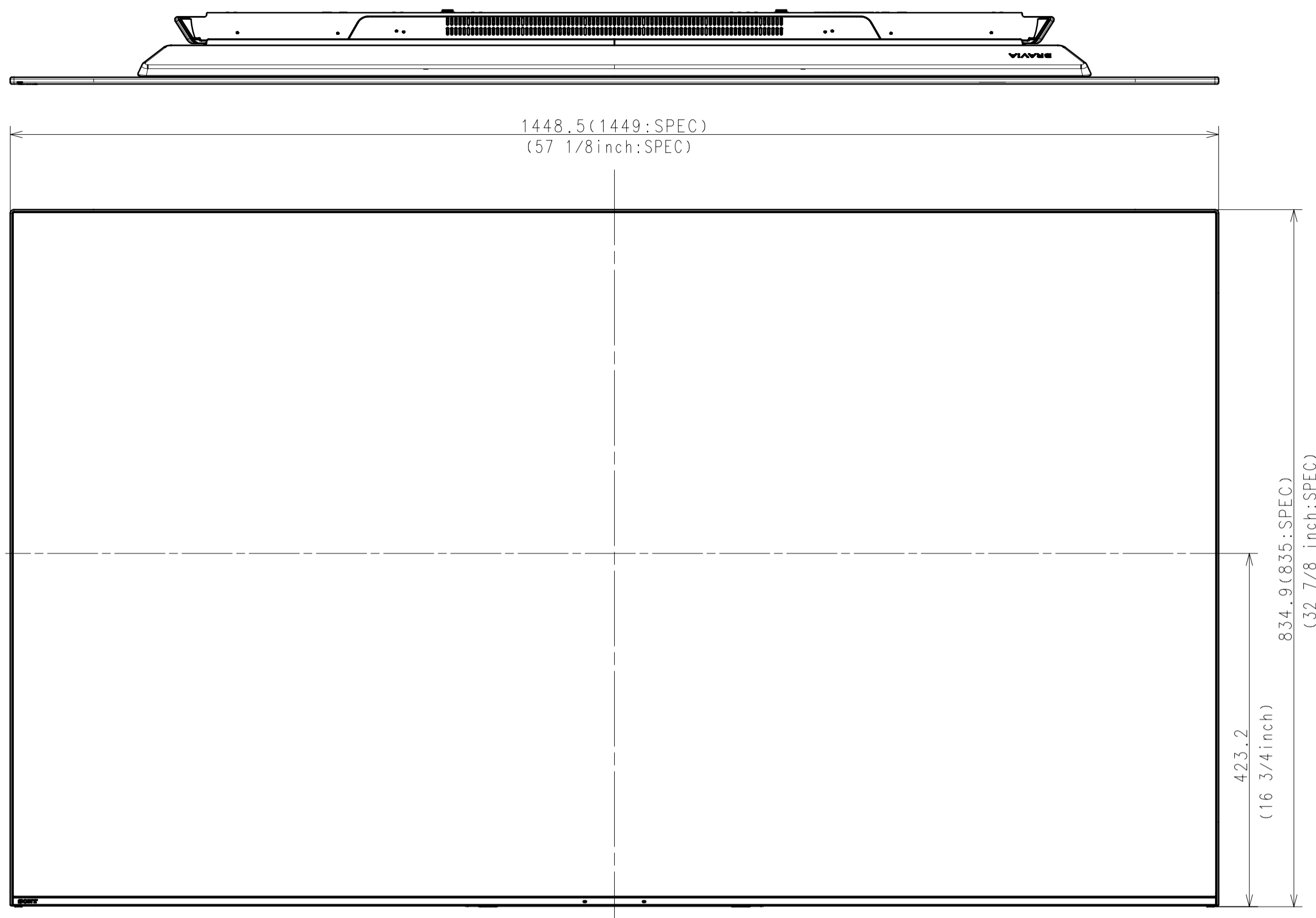


with cover

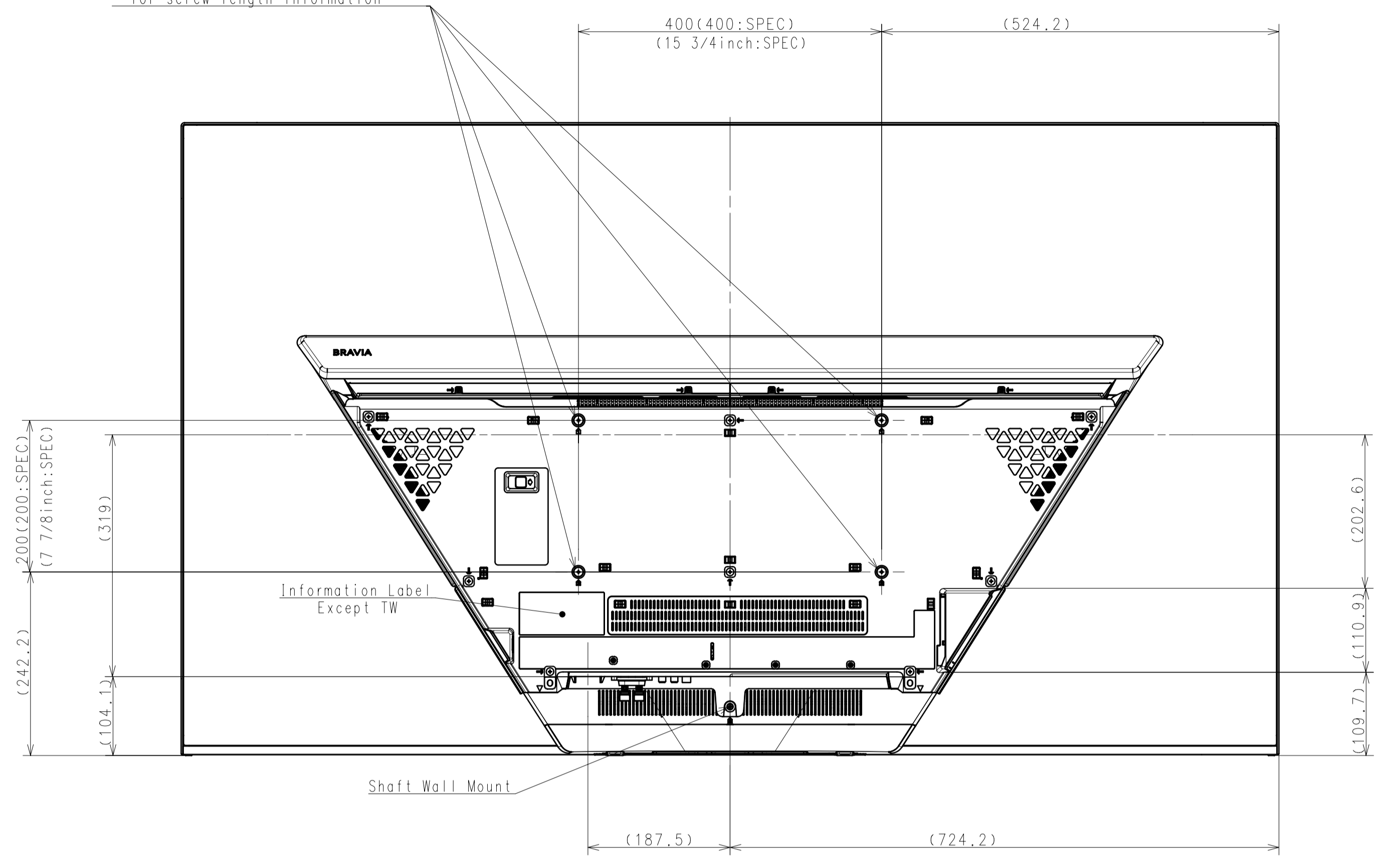


<table border="1"> <tr><td>Δ</td><td></td></tr> <tr><td>Δ</td><td></td></tr> <tr><td>Δ</td><td></td></tr> </table>		Δ		Δ		Δ		<table border="1"> <tr><td>GENERAL TOLERANCE</td><td>DATE OF ISSUE</td></tr> <tr><td>PART</td><td>DOCUMENT TYPE</td></tr> <tr><td>TOLERANCING</td><td>PART</td></tr> <tr><td>ISO 8015</td><td>DRAWING</td></tr> </table>	GENERAL TOLERANCE	DATE OF ISSUE	PART	DOCUMENT TYPE	TOLERANCING	PART	ISO 8015	DRAWING														
Δ																														
Δ																														
Δ																														
GENERAL TOLERANCE	DATE OF ISSUE																													
PART	DOCUMENT TYPE																													
TOLERANCING	PART																													
ISO 8015	DRAWING																													
<table border="1"> <tr><td>HISTORY</td><td>SUFFIX</td><td>RELEASE NO.</td><td>REVISION</td><td>SIGN.</td></tr> <tr><td>X</td><td>/REF.</td><td>DATE</td><td></td><td></td></tr> </table>		HISTORY	SUFFIX	RELEASE NO.	REVISION	SIGN.	X	/REF.	DATE			<table border="1"> <tr><td>MATERIAL(COLOR)</td><td>FINISH(COLOR)</td></tr> </table>	MATERIAL(COLOR)	FINISH(COLOR)																
HISTORY	SUFFIX	RELEASE NO.	REVISION	SIGN.																										
X	/REF.	DATE																												
MATERIAL(COLOR)	FINISH(COLOR)																													
<table border="1"> <tr><td>LEGAL OWNER</td><td>Sony Corporation</td></tr> <tr><td>RESPONSIBLE DEPARTMENT</td><td></td></tr> </table>		LEGAL OWNER	Sony Corporation	RESPONSIBLE DEPARTMENT		<table border="1"> <tr><td>SIZE</td><td>UNIT</td><td>ORIGINAL MODEL</td><td>DESCRIPTION</td></tr> <tr><td>A1</td><td>mm</td><td></td><td>65 (A9F) EXTERIOR VIEW</td></tr> <tr><td>SCALE</td><td></td><td>TENTATIVE MODEL</td><td>DESCRIPTION</td></tr> <tr><td>1:5</td><td></td><td></td><td>65 (A9F) EXTERIOR VIEW</td></tr> <tr><td>FEEDBACK METHOD</td><td></td><td>TENTATIVE PART NO.</td><td>PART NO.</td></tr> <tr><td></td><td></td><td></td><td></td></tr> </table>	SIZE	UNIT	ORIGINAL MODEL	DESCRIPTION	A1	mm		65 (A9F) EXTERIOR VIEW	SCALE		TENTATIVE MODEL	DESCRIPTION	1:5			65 (A9F) EXTERIOR VIEW	FEEDBACK METHOD		TENTATIVE PART NO.	PART NO.				
LEGAL OWNER	Sony Corporation																													
RESPONSIBLE DEPARTMENT																														
SIZE	UNIT	ORIGINAL MODEL	DESCRIPTION																											
A1	mm		65 (A9F) EXTERIOR VIEW																											
SCALE		TENTATIVE MODEL	DESCRIPTION																											
1:5			65 (A9F) EXTERIOR VIEW																											
FEEDBACK METHOD		TENTATIVE PART NO.	PART NO.																											
<table border="1"> <tr><td>PLANNED BY</td><td>CHECKED BY</td><td>APPROVED BY</td></tr> <tr><td></td><td></td><td></td></tr> </table>		PLANNED BY	CHECKED BY	APPROVED BY				<table border="1"> <tr><td>SHEET/PAGES</td><td>1 / 2</td></tr> </table>	SHEET/PAGES	1 / 2																				
PLANNED BY	CHECKED BY	APPROVED BY																												
SHEET/PAGES	1 / 2																													

TV only (without Stand)



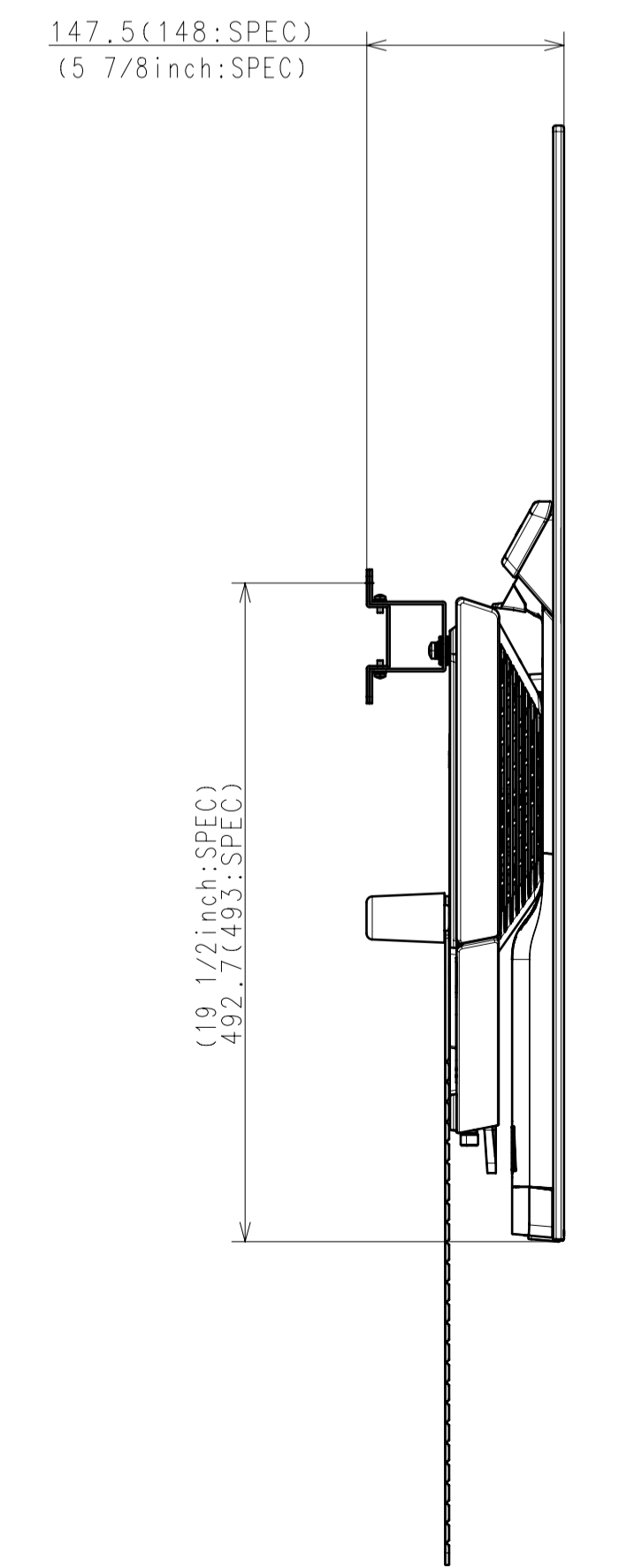
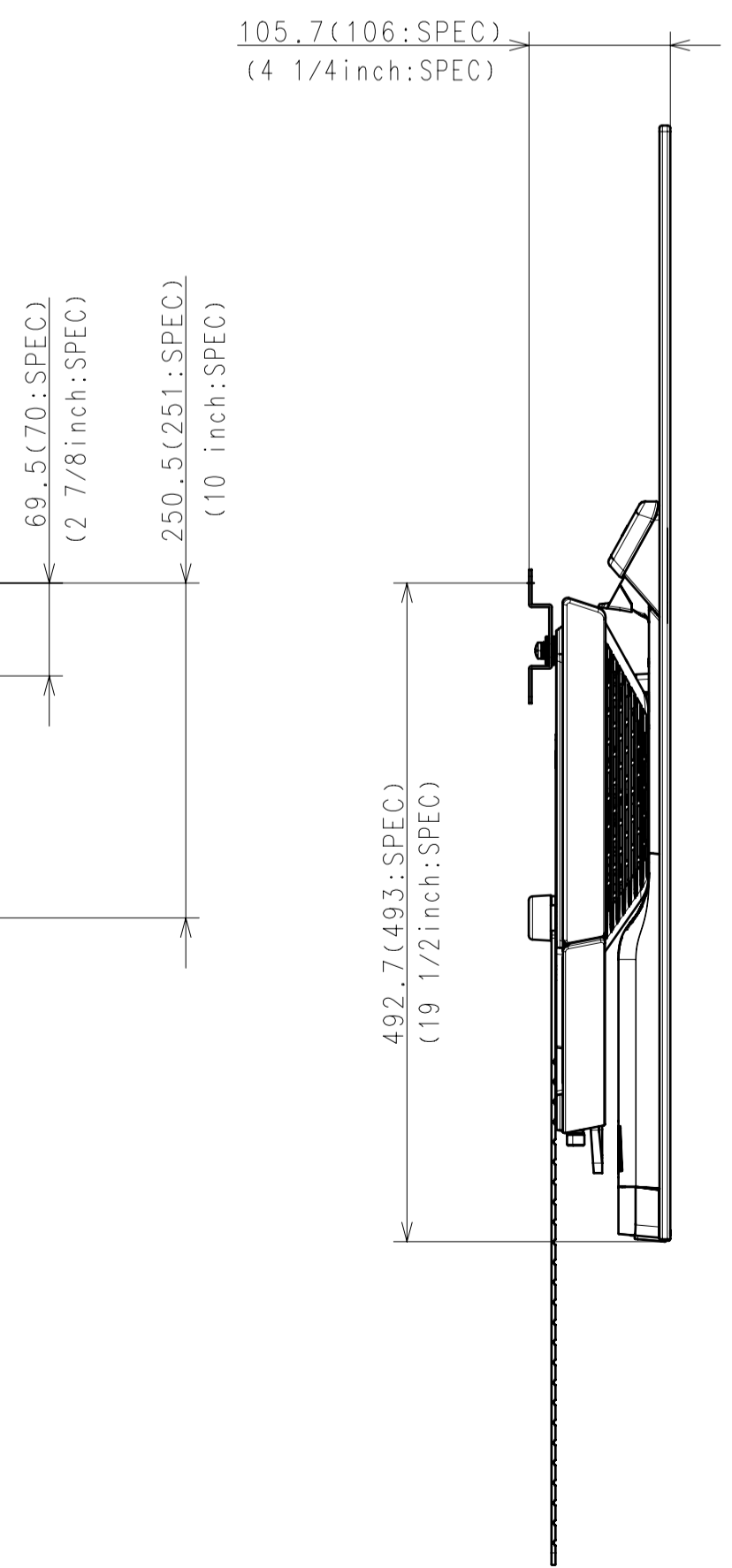
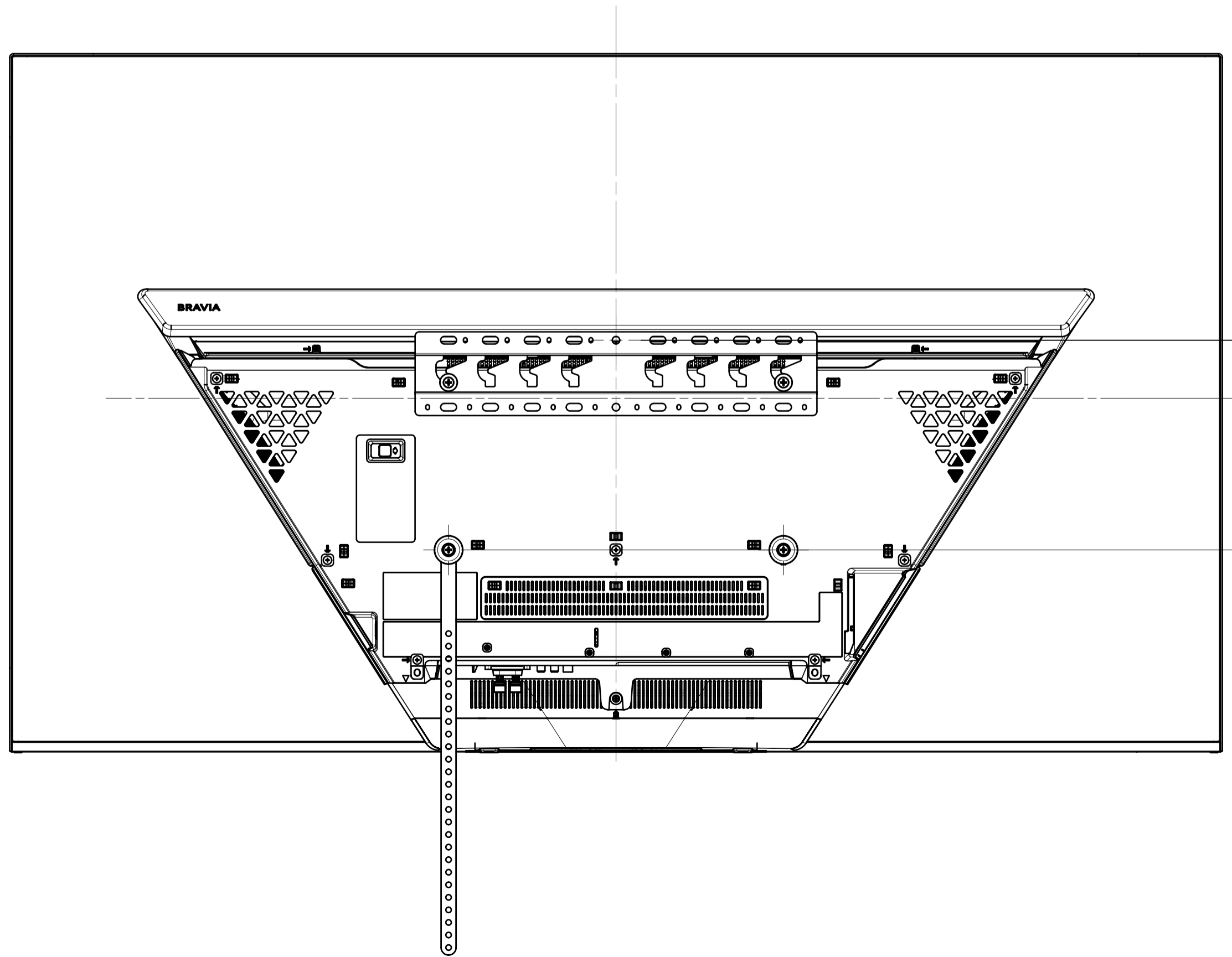
M6 holes for wall mount bracket & Securing hardware (Rope or Chain)
* Refer to instruction manual for screw length information



SU-WL450

SLIM MOUNT

STANDARD MOUNT



DESCRIPTION1 65 (A8F) EXTERIOR VIEW	SCALE 1:5
DESCRIPTION2 65 (A9F) EXTERIOR VIEW	SHEET/PAGES 2 / 2
EQUAL OWNER Sony Corporation	PART NO.
TENTATIVE PART NO.	PART NO.