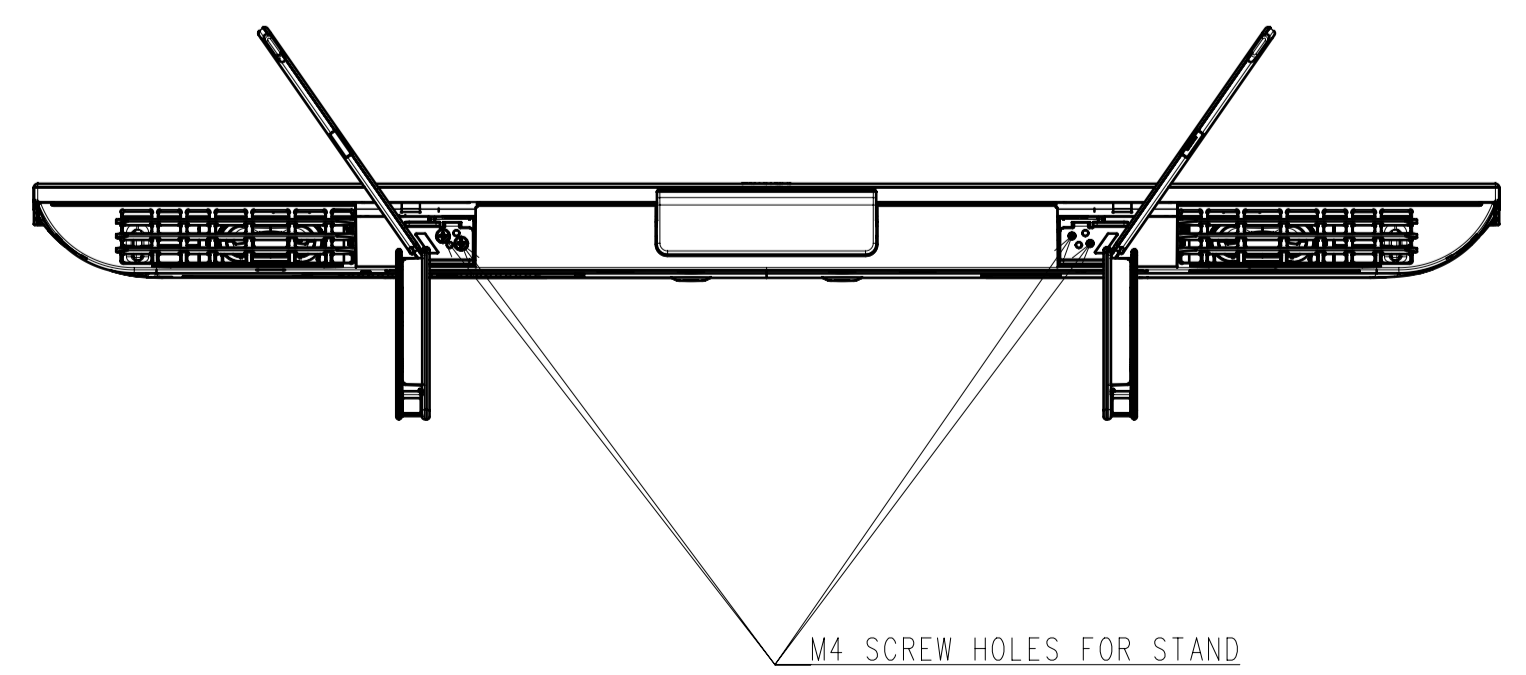
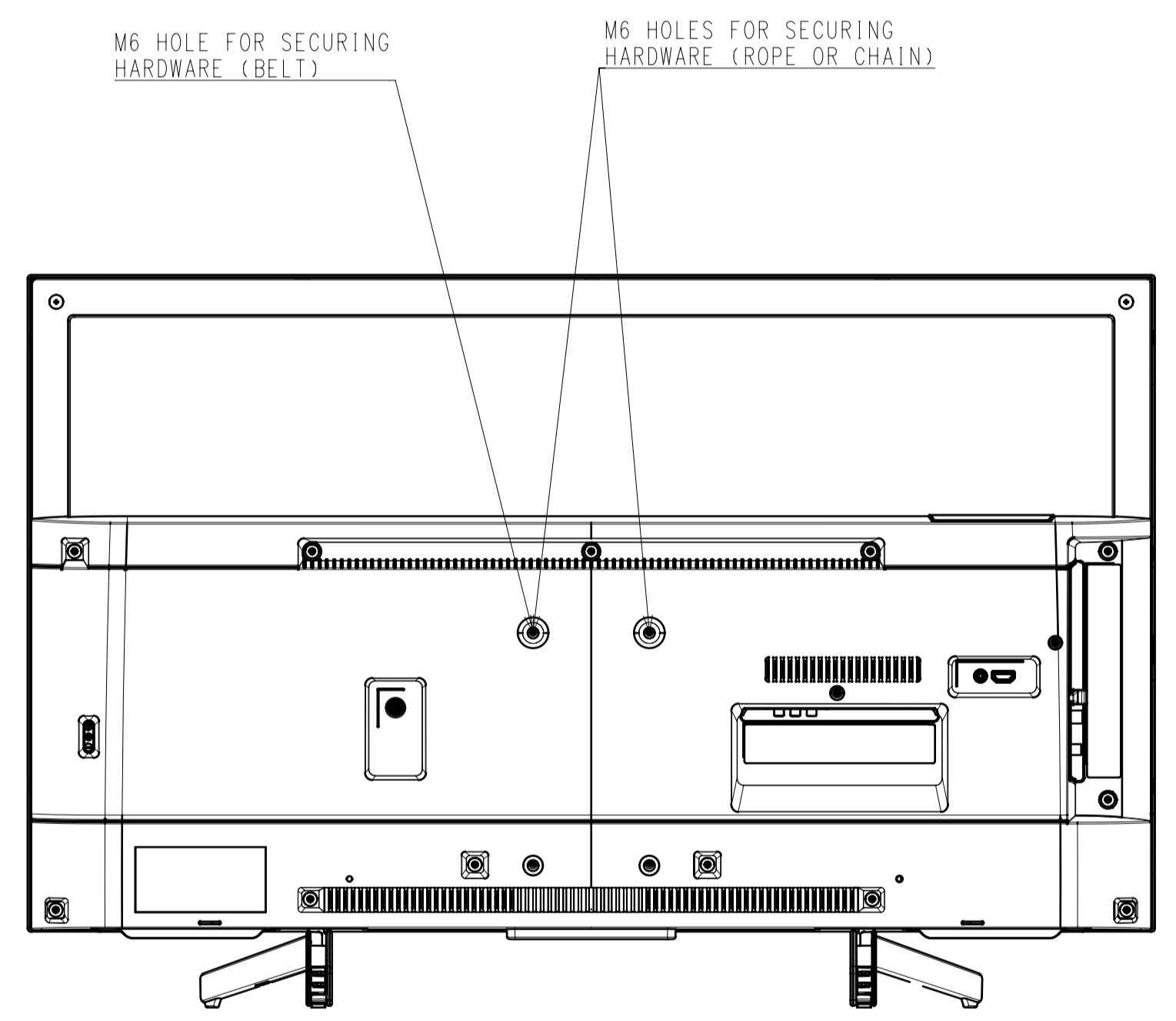
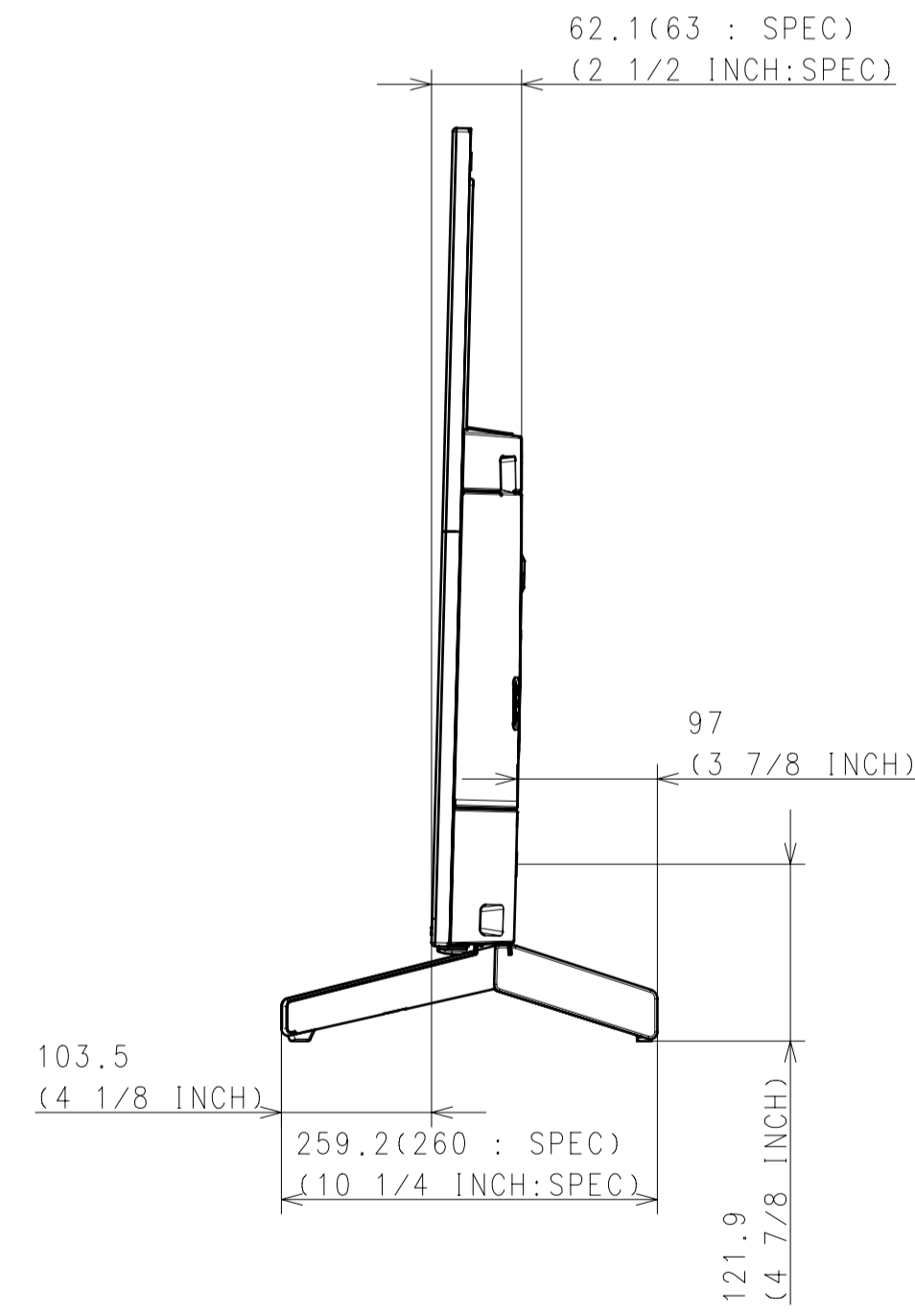
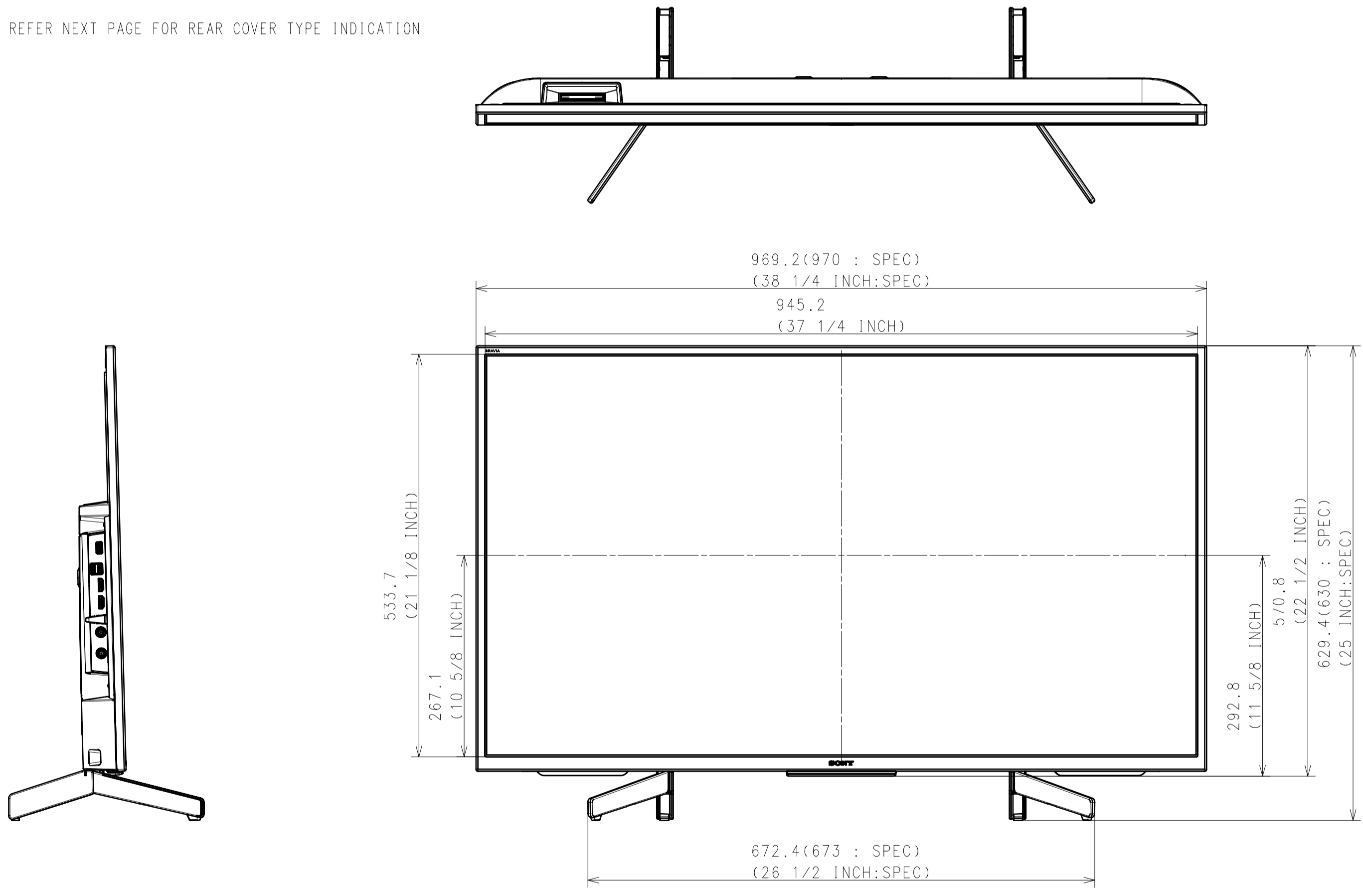


Area	Area		JAPAN	NORTH AMERICA	LATIN AMERICA	EUROPE	EUROPE	GENERAL AREA
Model Name	Model Name		KJ-43X800G	XBR-43X800G	XBR-43X800G	KD-43XG8096	KD-43XG8196	KD-43X800G
SV No.	SV No.		SV-36210	SV-36373	SV-36159	SV-36205	SV-36381	SV-36179
DIMENSION	DIMENSION	TV only (WxHxD)	97.0x57.0x5.7(1.30) cm	970x570x57(13) mm / 38 1/4 x 22 1/2 x 2 1/4(17/32) inch	970x570x57(13) mm	Approx. 97.0x57.0x5.7(1.30) cm	Approx. 97.0x57.0x5.7(1.30) cm	Approx. 970x570x57(13) mm
		TV with Stand (WxHxD)	97.0x63.0x26.0 cm	970x630x260 mm / 38 1/4 x 24 7/8 x 10 1/4 inch	970x630x260 mm	Approx. 97.0x63.0x26.0 cm	Approx. 97.0x63.0x26.2 cm	Approx. 970x630x260 mm
		Media Receiver (WxHxD)	-	-	-	-	-	-
		Monitor only (WxHxD)	-	-	-	-	-	-
		Monitor with Stand (WxHxD)	-	-	-	-	-	-
		Media Receiver with Stand (WxHxD)	-	-	-	-	-	-
		Satellite Speaker (WxHxD)	-	-	-	-	-	-
		Stand Width	67.3 cm	673 mm / 26 1/2 inch	673 mm	Approx. 67.3 cm	Approx. 63.5 cm	Approx. 673 mm
		VESA Hole Pitch	10.0x20.0 cm	100x200 mm / 4 x 7 7/8 inch	100x200 mm	10.0x20.0 cm	10.0x20.0 cm	100x200 mm
WEIGHT	WEIGHT	TV Only	9.6 Kg	9.6 Kg / 21.2 lb	9.6 Kg	Approx. 9.6 Kg	Approx. 9.6 Kg	Approx. 9.6 Kg
		TV With Stand	10.2 Kg	10.2 Kg / 22.5 lb	10.2 Kg	Approx. 10.2 Kg	Approx. 10.2 Kg	Approx. 10.2 Kg
		Media Receiver	-	-	-	-	-	-
		Monitor Only	-	-	-	-	-	-
		Monitor With Stand	-	-	-	-	-	-
		Media Receiver with Stand	-	-	-	-	-	-
		Satellite Speaker	-	-	-	-	-	-
Remarks	Remarks							

WITH STAND (except KD-43XG8196)

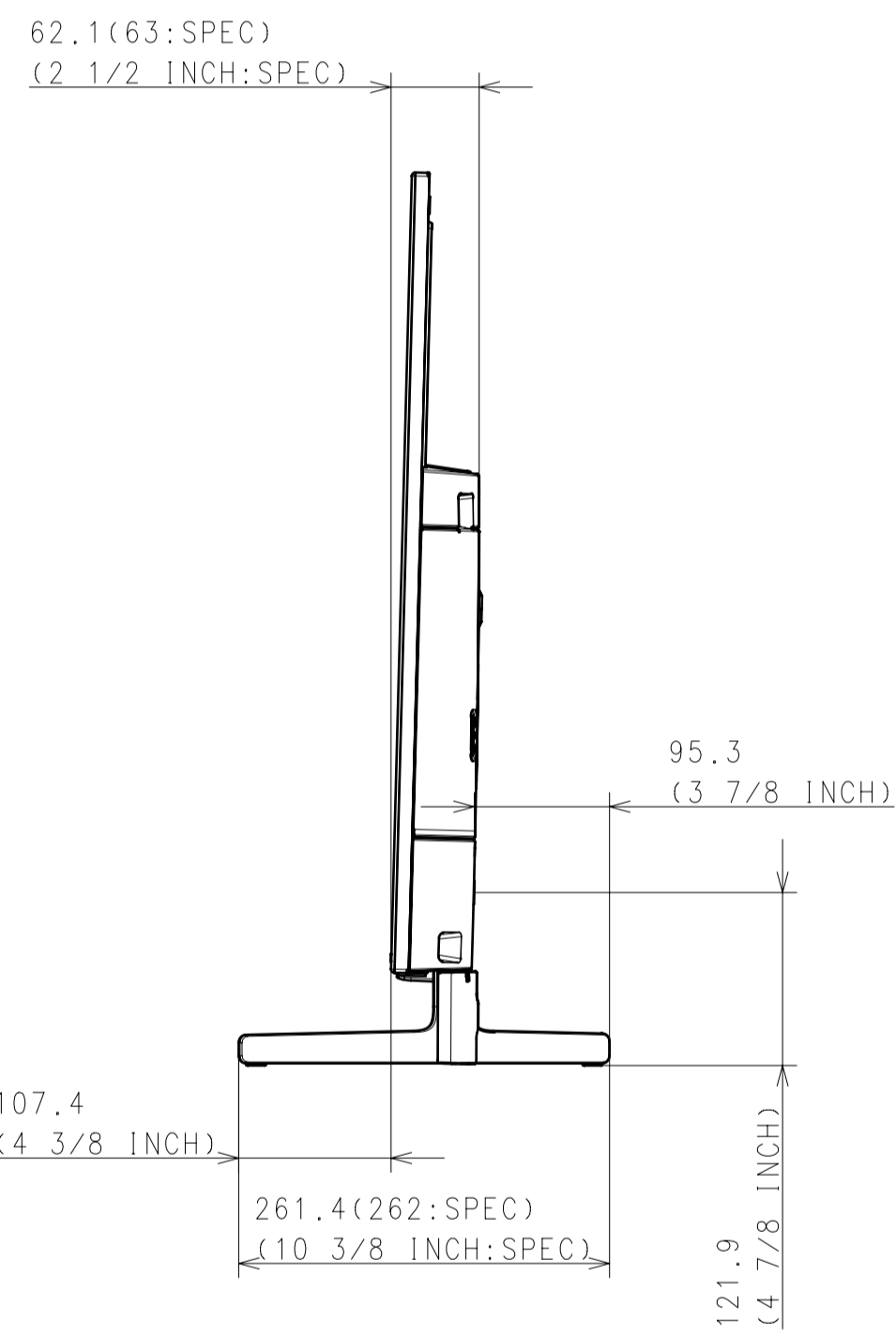
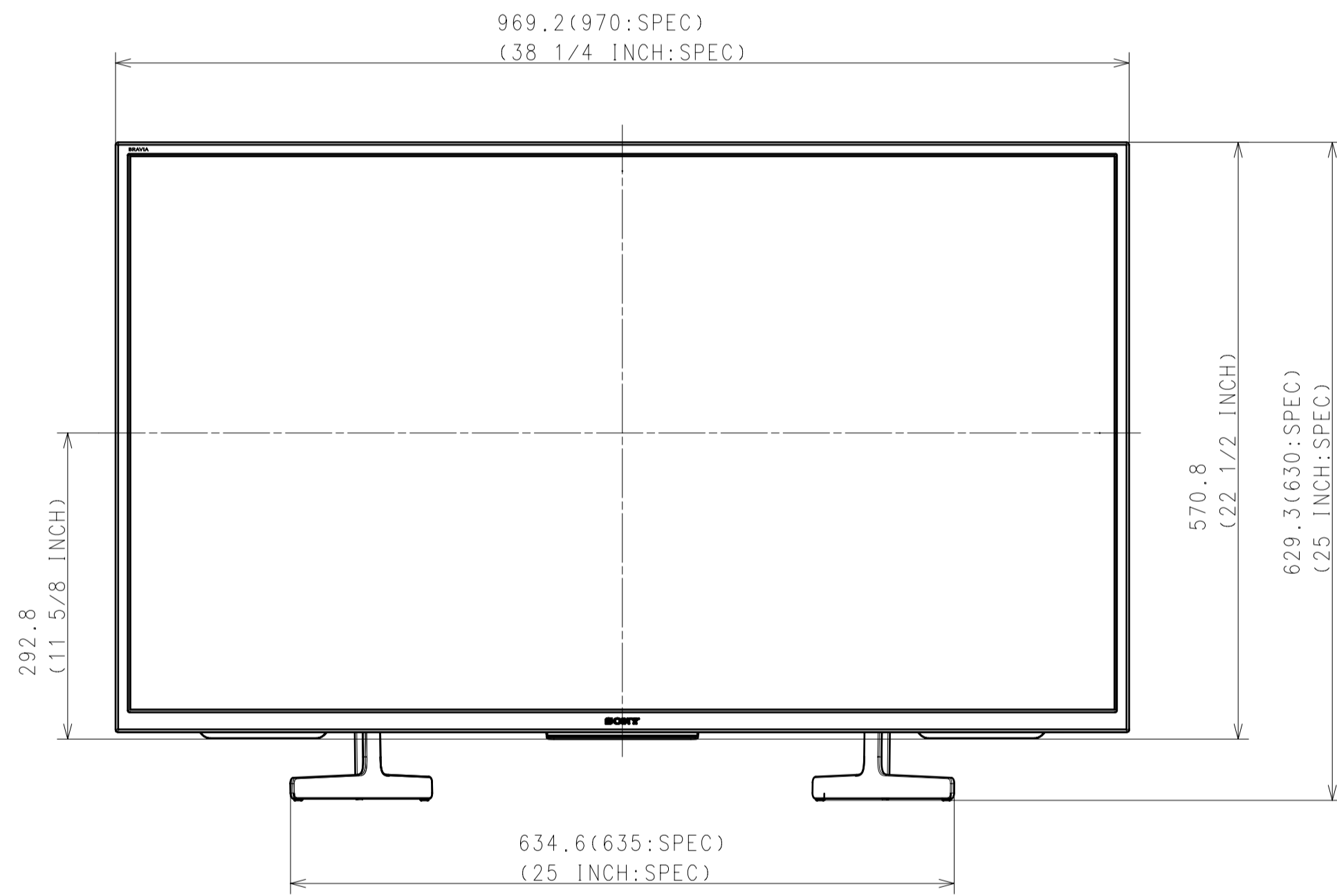
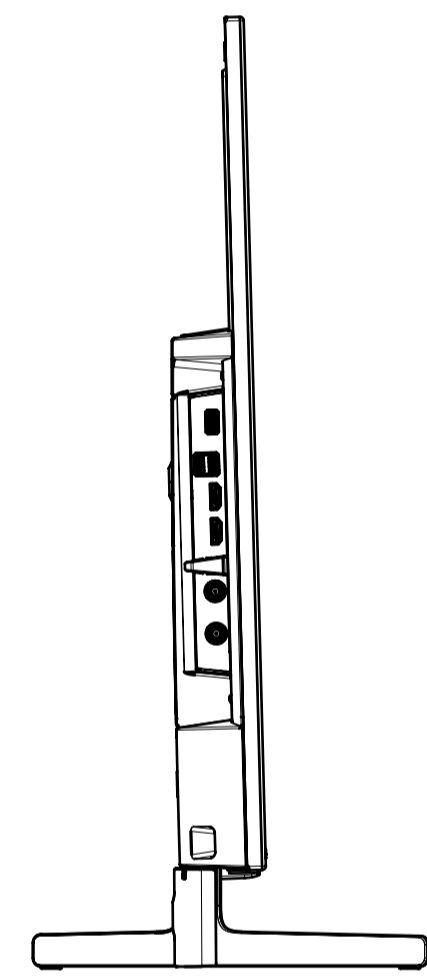
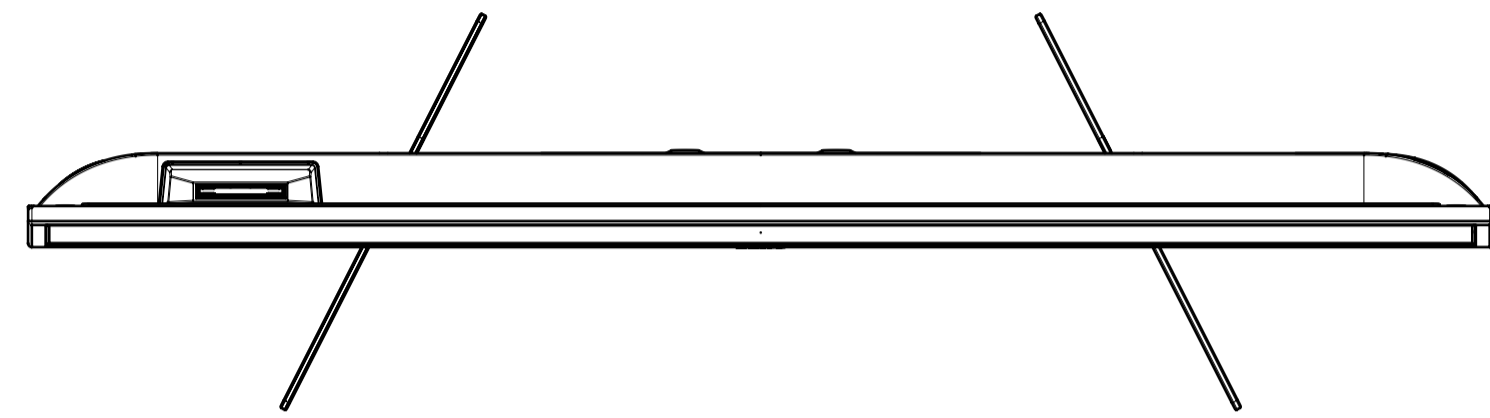
PLEASE REFER NEXT PAGE FOR REAR COVER TYPE INDICATION



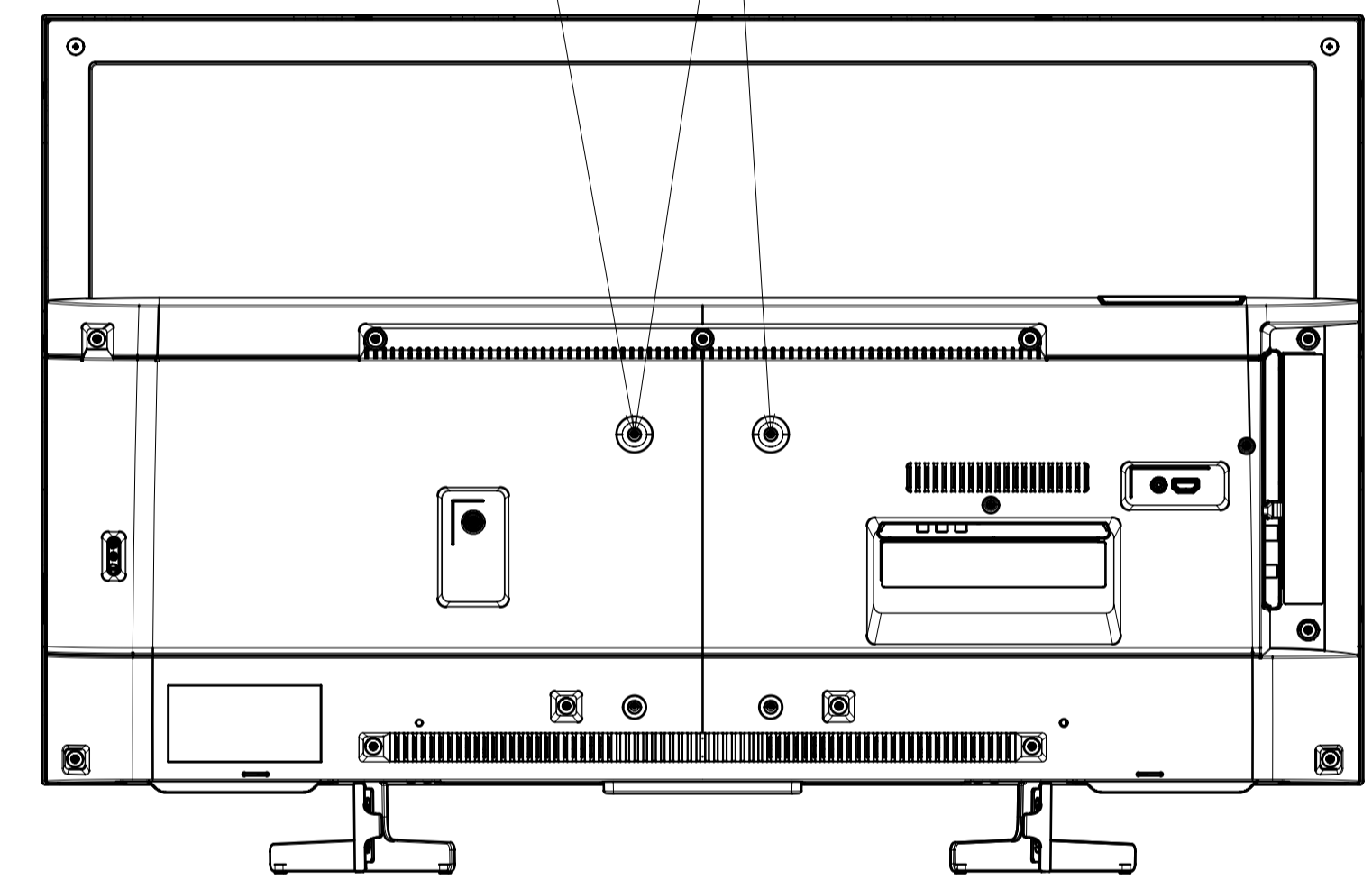
Purchase recycled resins and wire rods only from the business partners that Sony approves as Green Partners.  
再生樹脂・導電線はグリーンパートナー 認定品から調達すること。

△A	△B	△C	△D	△E	△F	△G	△H	△I	△J	△K	△L
HISTORY SUFFIX RELEASE NO. DATE REVISION SIGN.										GENERAL TOLERANCE DATE OF ISSUE DOCUMENT TYPE PART TOLERANCING DRAWING (JIS 9 OBJECTS BASIS)	
RESPONSIBLE DEPARTMENT Sony Corporation 43(X800) EXTERIOR VIEW DRAWING										MATERIAL COLOR FINISH COLOR	
RESPONSIBLE DEPARTMENT ORIGINAL MODEL 43(X800) EXTERIOR VIEW DRAWING										DESCRIPTION 43(X800) EXTERIOR VIEW DRAWING	
PLANNED BY CHECKED BY APPROVED BY SCALE TENTATIVE MODEL 1:5										SIZE UNIT PART NO. SUFFIX REV. NO. SHEET/PAGES 1/4	

WITH STAND (KD-43XG8196)

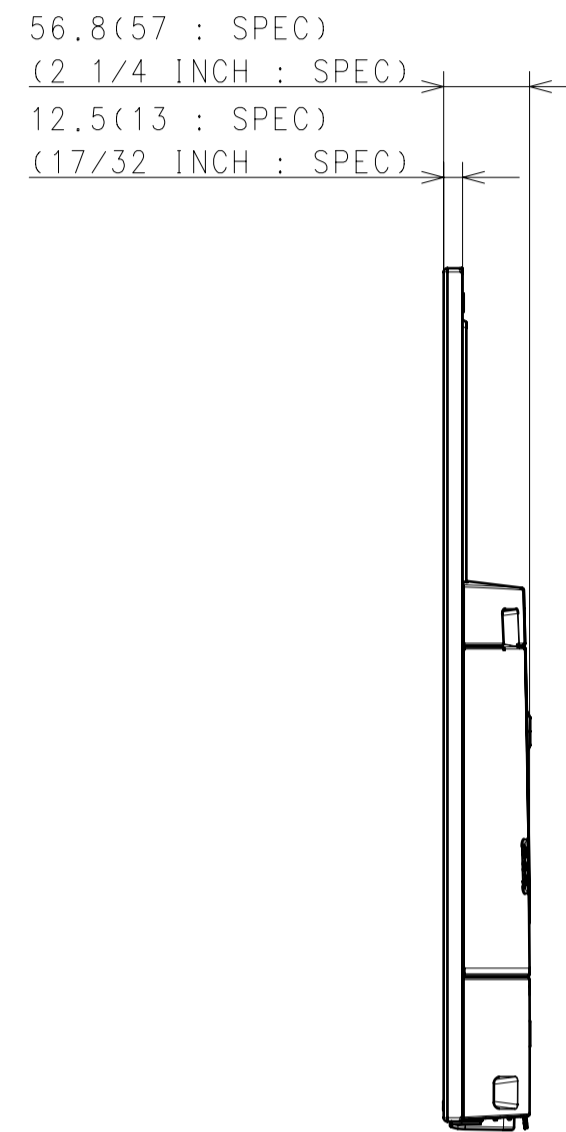
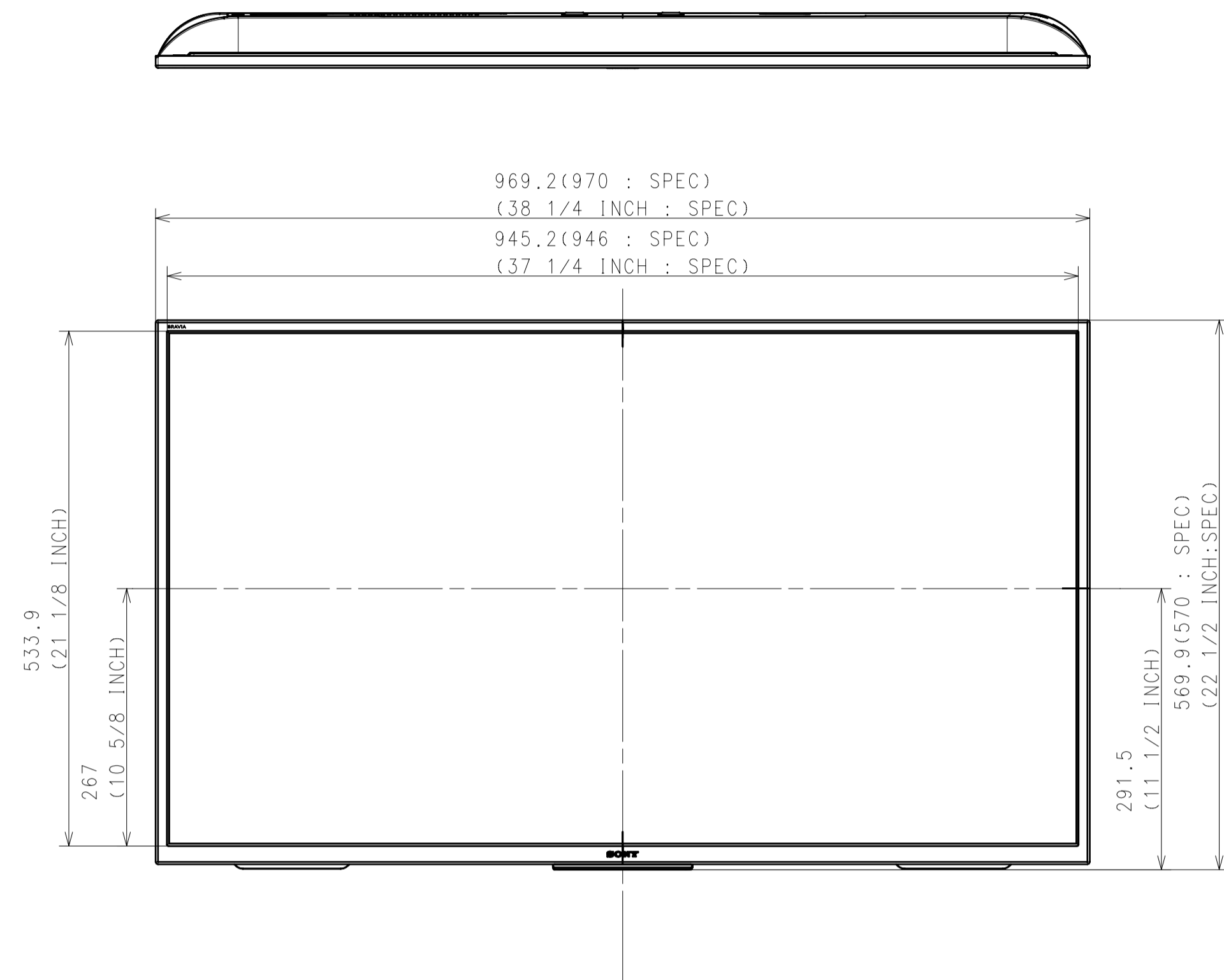


M6 HOLES FOR SECURING HARDWARE (BELT) M6 HOLES FOR SECURING HARDWARE (ROPE OR CHAIN)

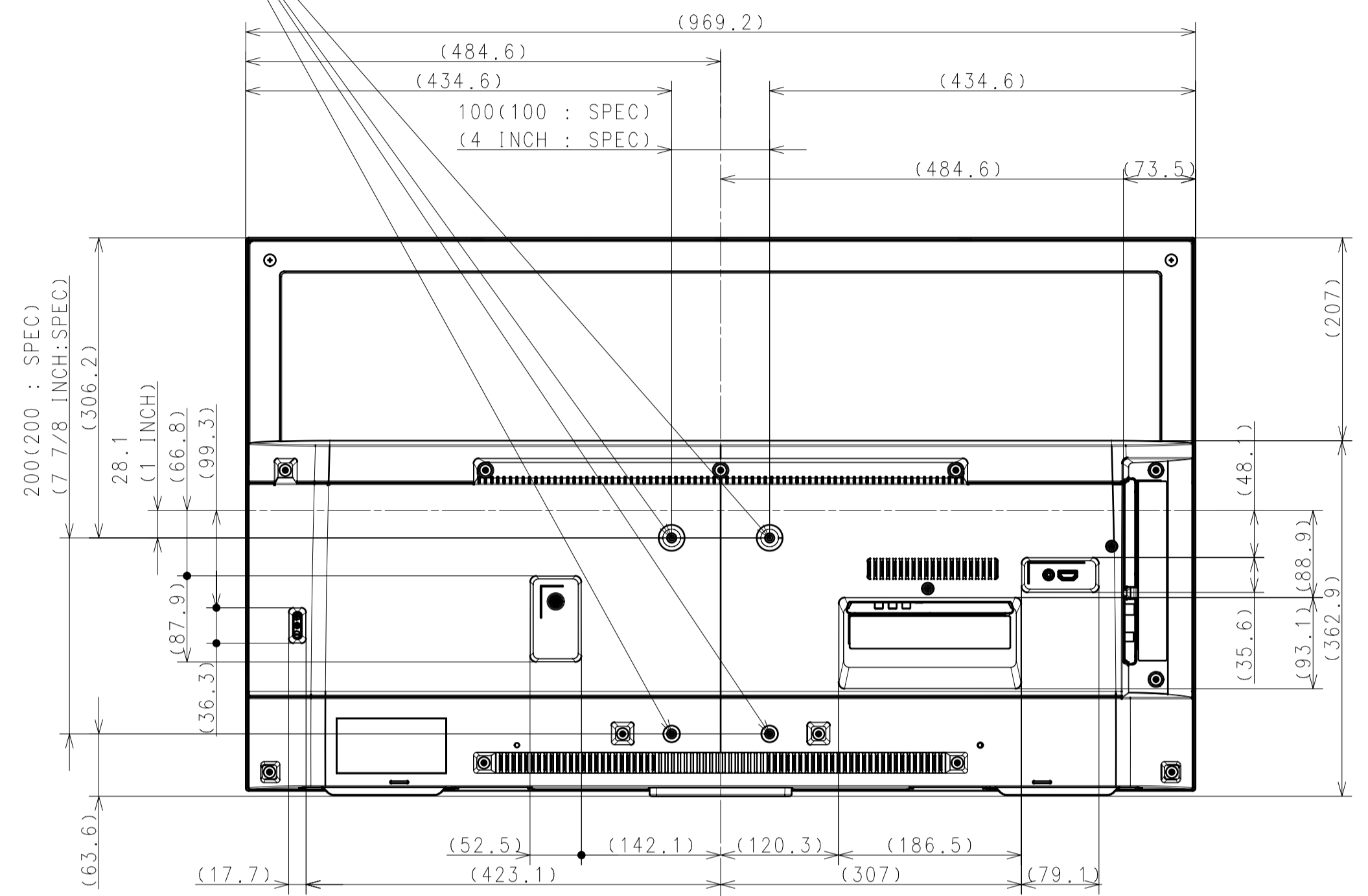


DESCRIPTION 1	LEGAL OWNER	SCALE
43(X800) EXTERIOR VIEW DRAWING	Sony Corporation	1:5
DESCRIPTION 2	PART NO.	SHEET/PAGES
43(X800) EXTERIOR VIEW DRAWING		2 / 4

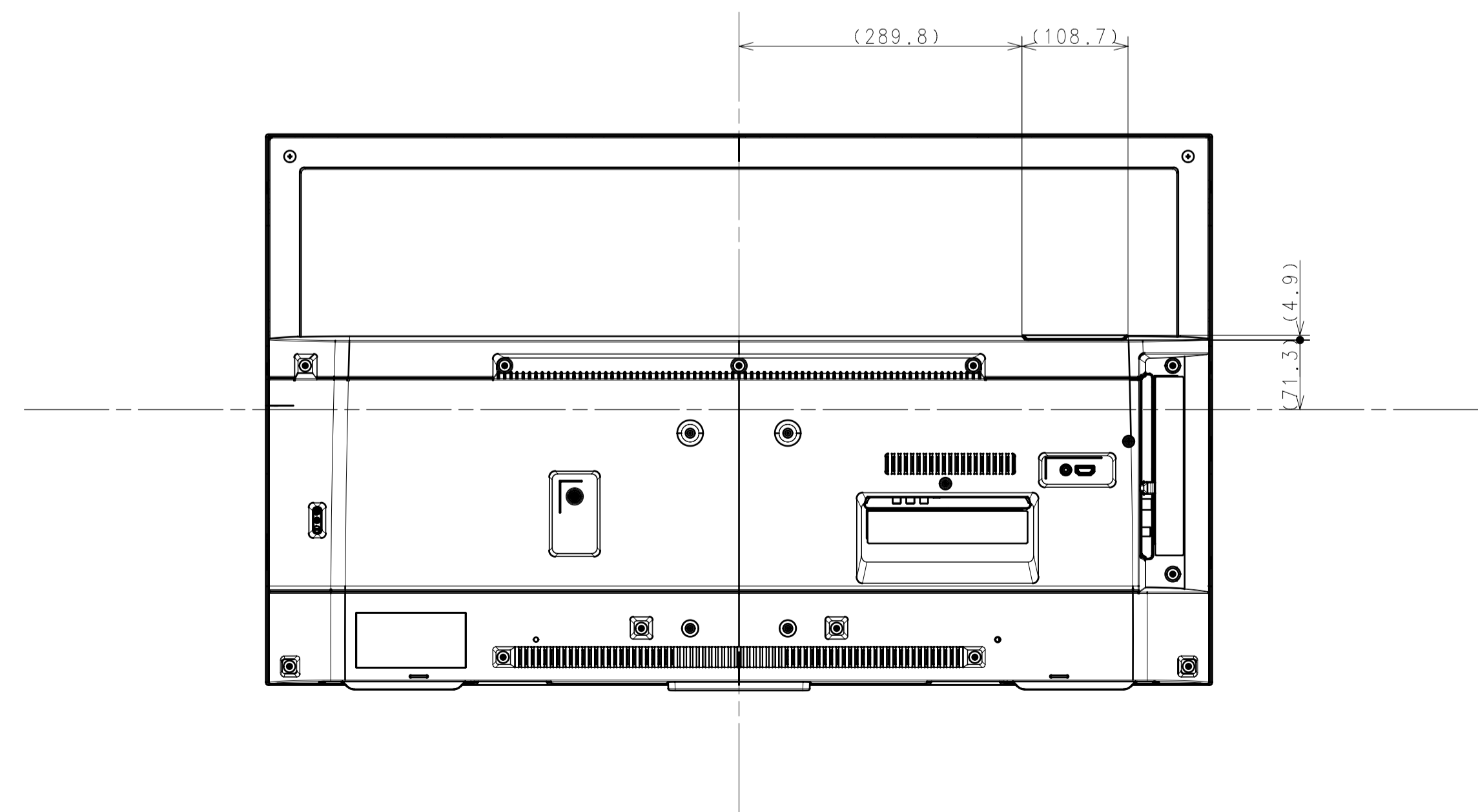
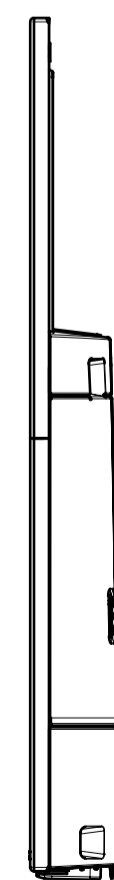
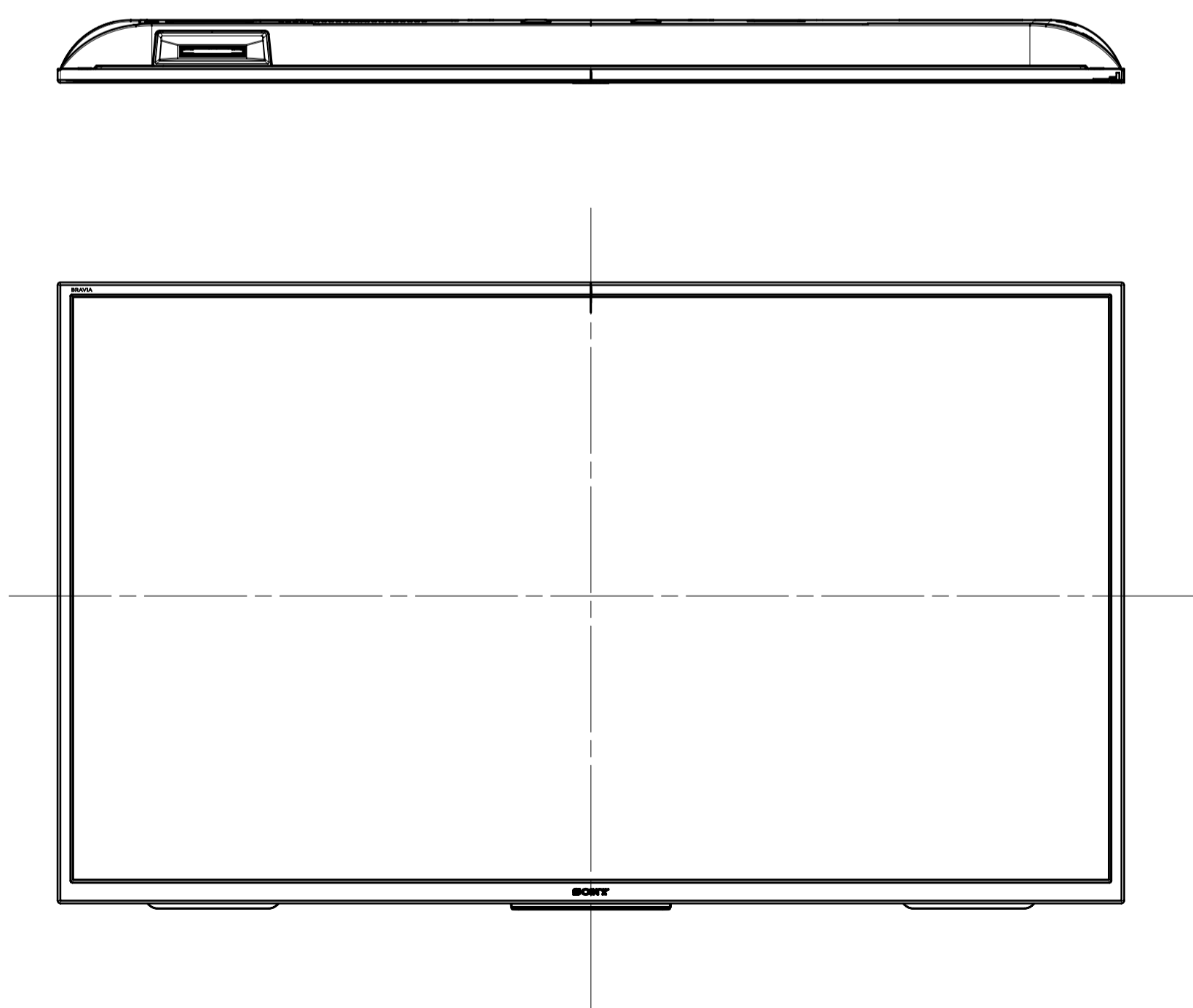
ALL AREA EXCEPT EUROPE MODELS



M6 HOLES FOR WALLMOUNT  
\*REFER INSTRUCTIONS MANUAL FOR SCREW LENGTH INFORMATION

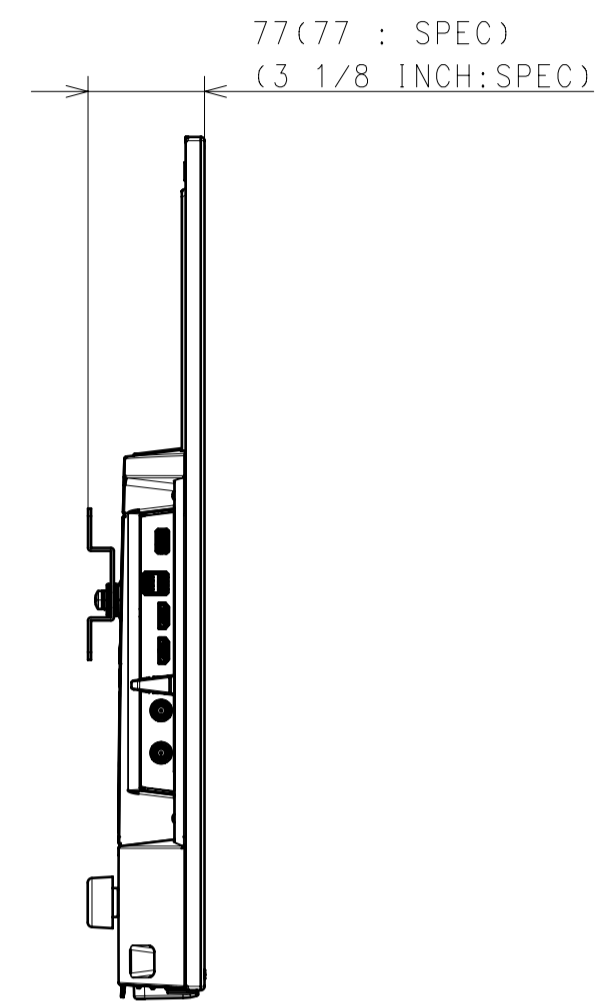
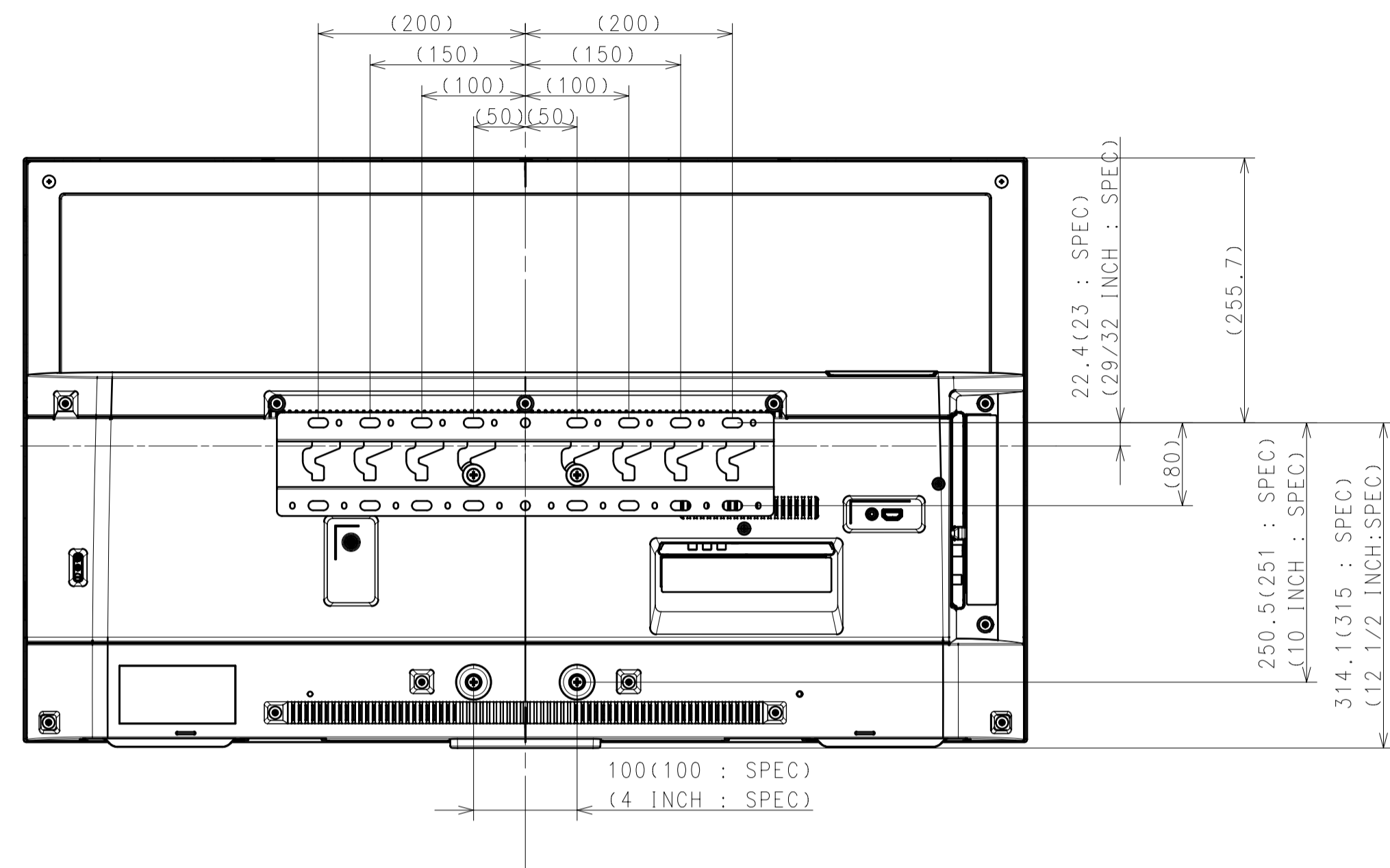


EUROPE MODELS

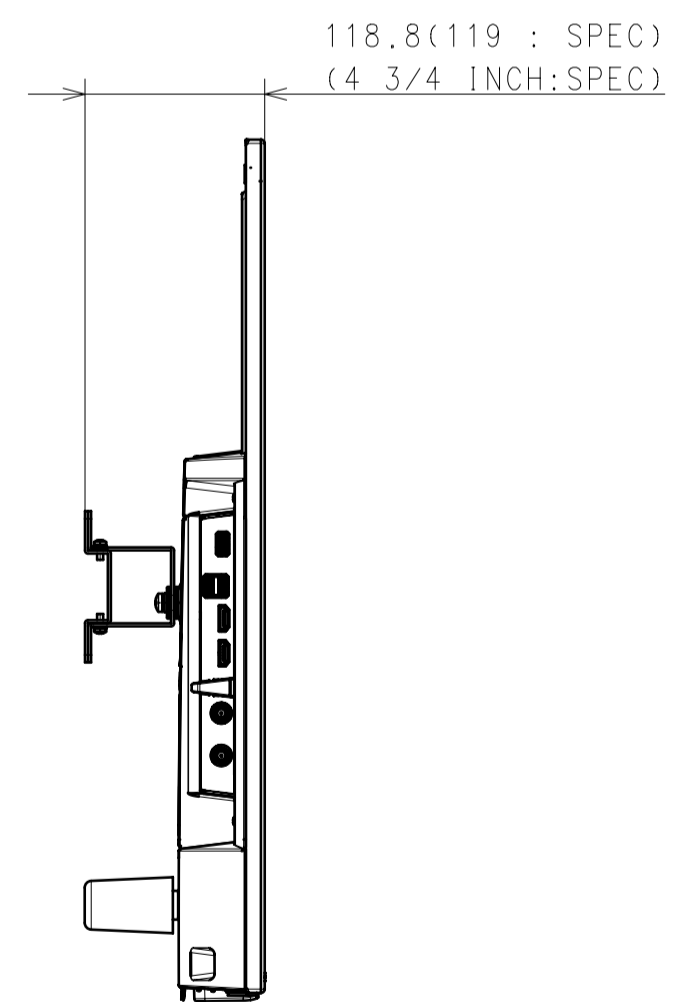
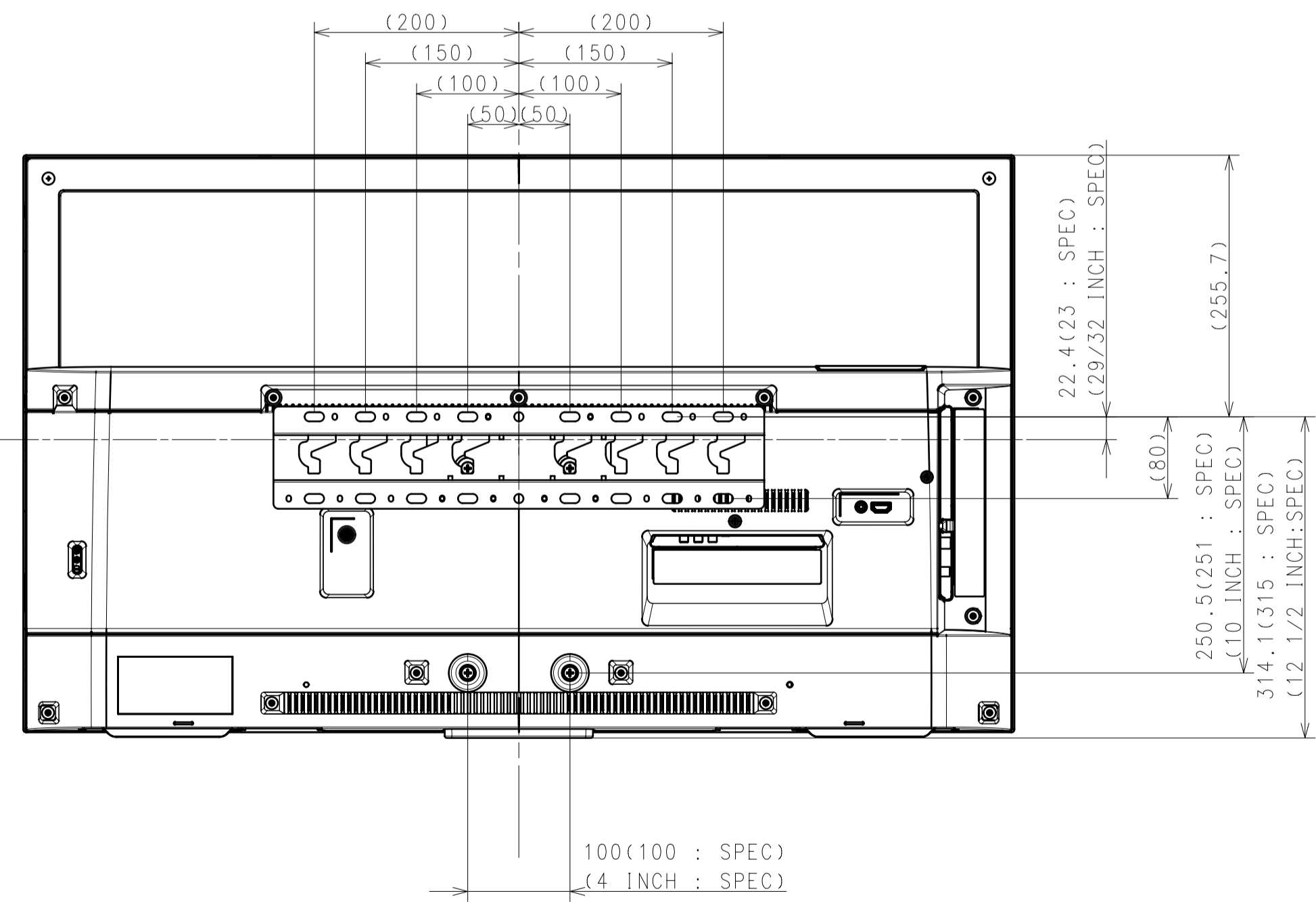


DESCRIPTION 1 43(X800) EXTERIOR VIEW DRAWING	LEGAL OWNER Sony Corporation	SCALE 1:5
DESCRIPTION 2 43(X800) EXTERIOR VIEW DRAWING	PART NO.	SHEET/PAGES 3 / 4

SU-WL450 SLIM



SU-WL450 STANDARD



DESCRIPTION 1	LEGAL OWNER	SCALE
43(X800) EXTERIOR VIEW DRAWING	Sony Corporation	1:5
DESCRIPTION 2	PART NO.	SHEET/PAGES
43(X800) EXTERIOR VIEW DRAWING		4 / 4