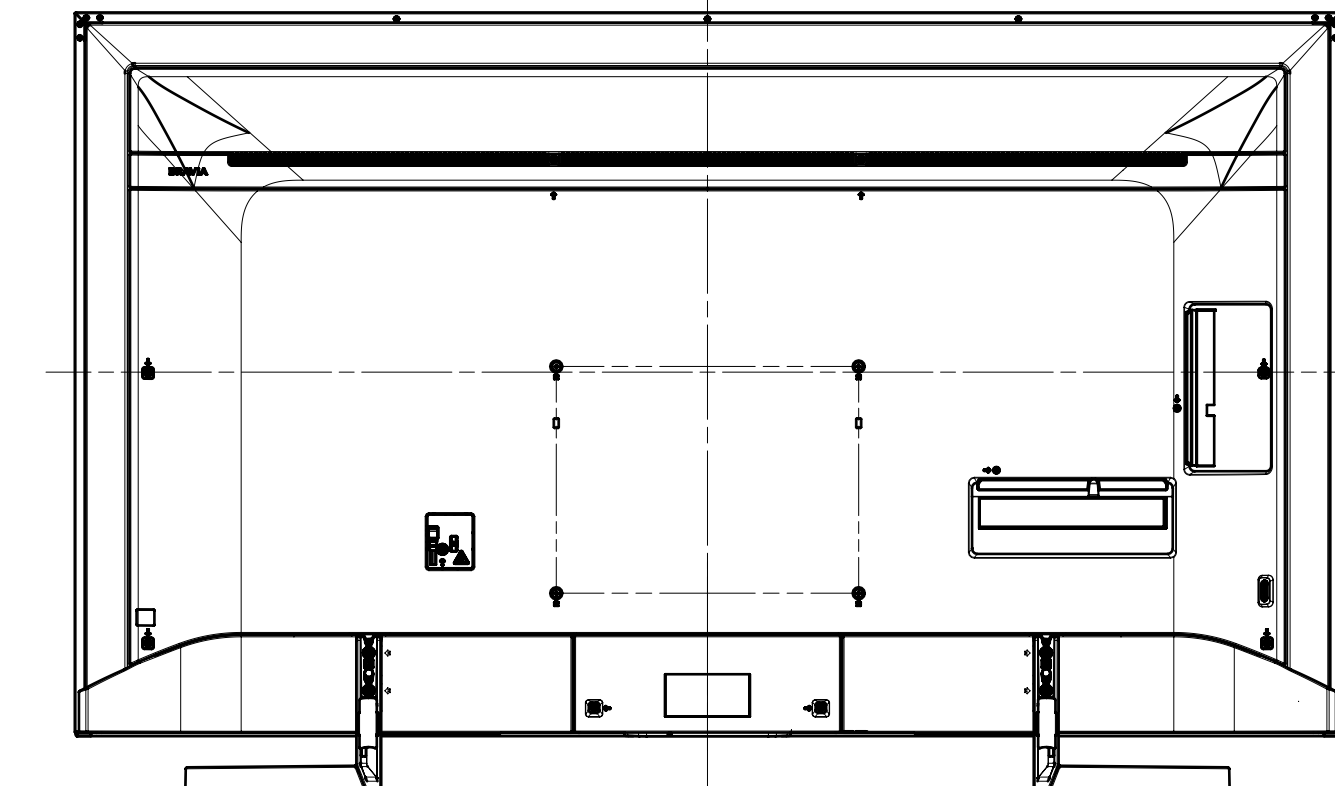
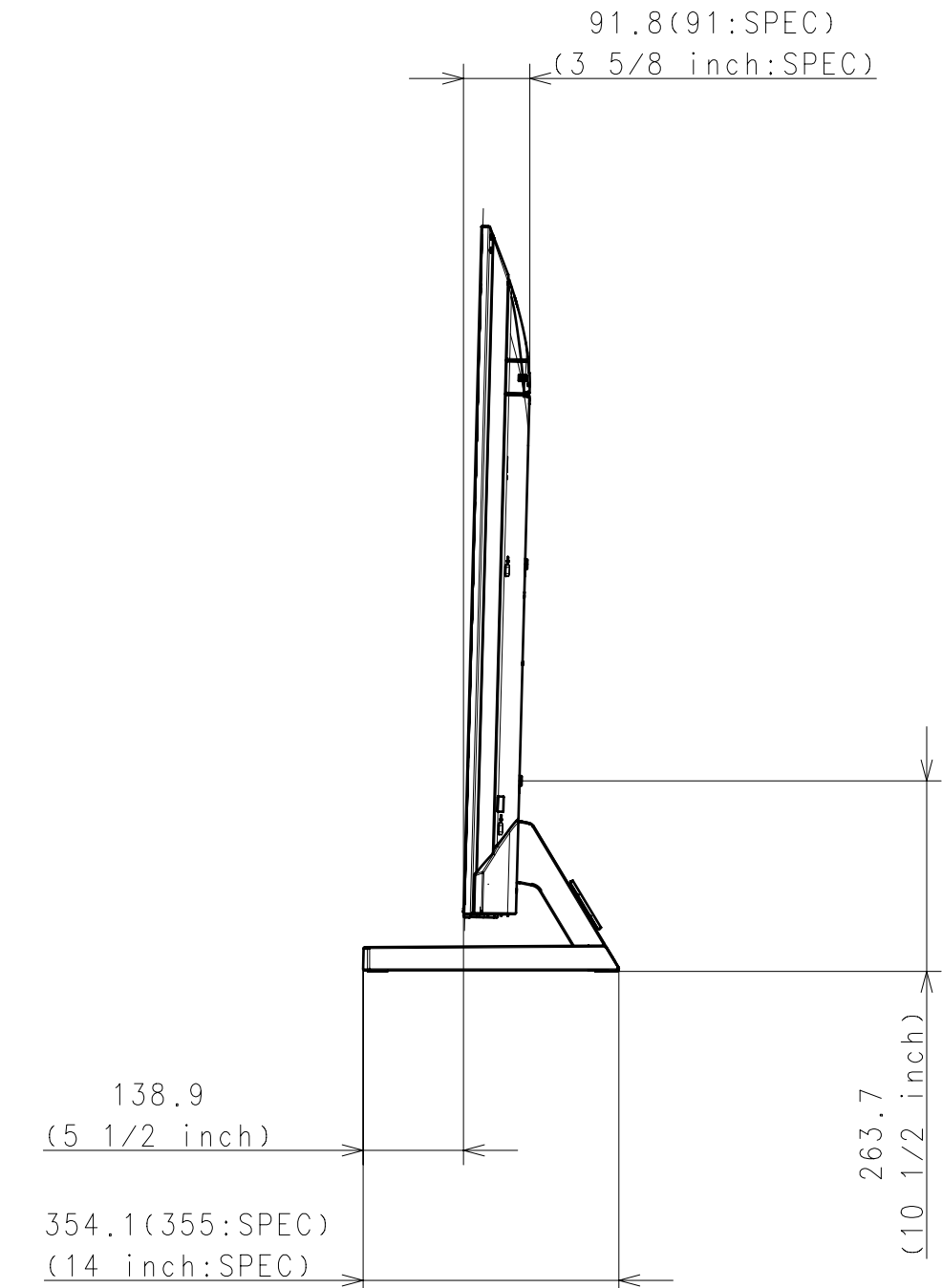
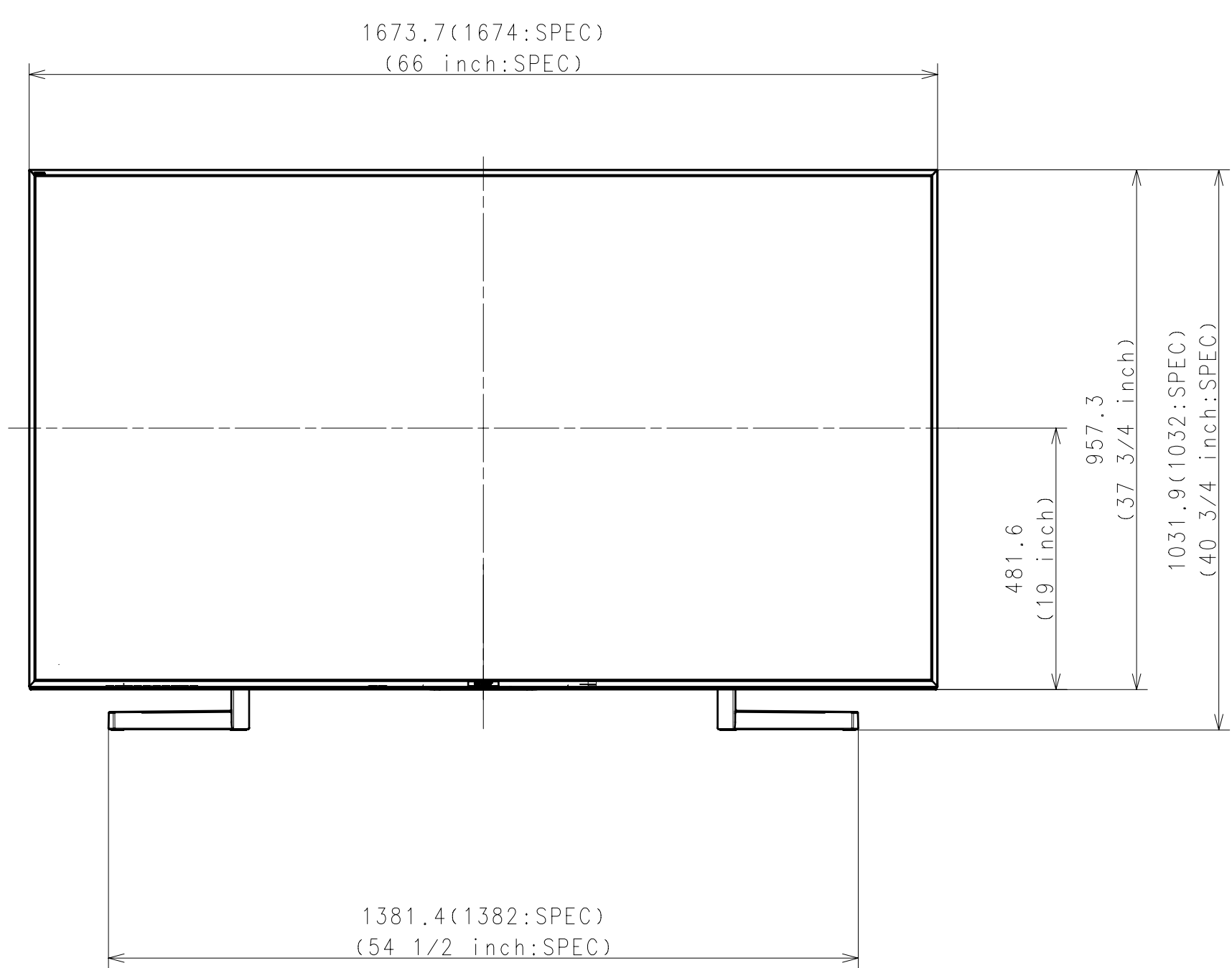
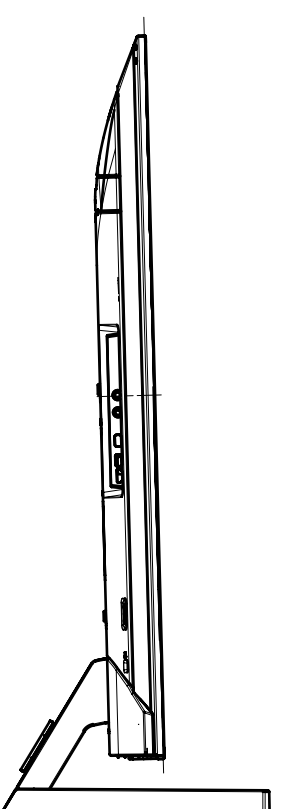
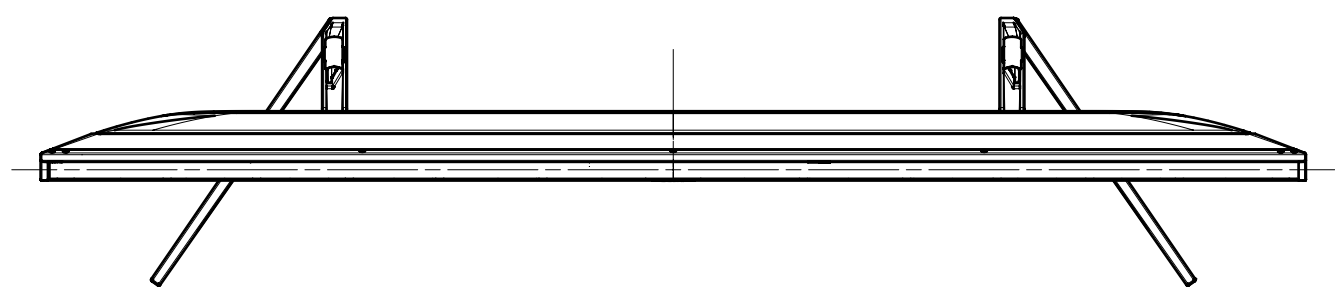


Area	NORTH AMERICA	LATIN AMERICA	EUROPE	GENERAL AREA	CHINA	
Model Name	XBR-75X900F	XBR-75X905F	KD-75XF9005	KD-75X9000F	KD-75X9000F	
SV No.	SV-34037	SV-34099	SV-34308	SV-34191	SV-34055	
DIMENSION	TV only (WxHxD)	1674x958x73 mm / 66 x 37 3/4 x 2 7/8 inch	1674x958x73 mm	Approx. 167.4x95.8x7.3 cm	Approx. 167.4x95.8x7.3 mm	Approx. 167.4x95.8x7.3 mm
	TV with Stand (WxHxD)	1674x1032x355 mm / 66 x 40 3/4 x 14 inch	1674x1032x355 mm	Approx. 167.4x103.2x35.5 cm	Approx. 167.4x103.2x35.5 mm	Approx. 167.4x103.2x35.5 mm
	Media Receiver (WxHxD)	-	-	-	-	-
	Monitor only (WxHxD)	-	-	-	-	-
	Monitor with Stand (WxHxD)	-	-	-	-	-
	Media Receiver with Stand (WxHxD)	-	-	-	-	-
WEIGHT	TV Only	35 Kg / 77.1 lb	35 Kg	Approx. 35 Kg	Approx. 35 Kg	Approx. 35 Kg
	TV With Stand	36.7 Kg / 80.9 lb	36.7 Kg	Approx. 36.7 Kg	Approx. 36.7 Kg	Approx. 36.7 Kg
	Media Receiver	-	-	-	-	-
	Monitor Only	-	-	-	-	-
Monitor With Stand	-	-	-	-	-	
Media Receiver with Stand	-	-	-	-	-	
Satellite Speaker	-	-	-	-	-	
Remarks						

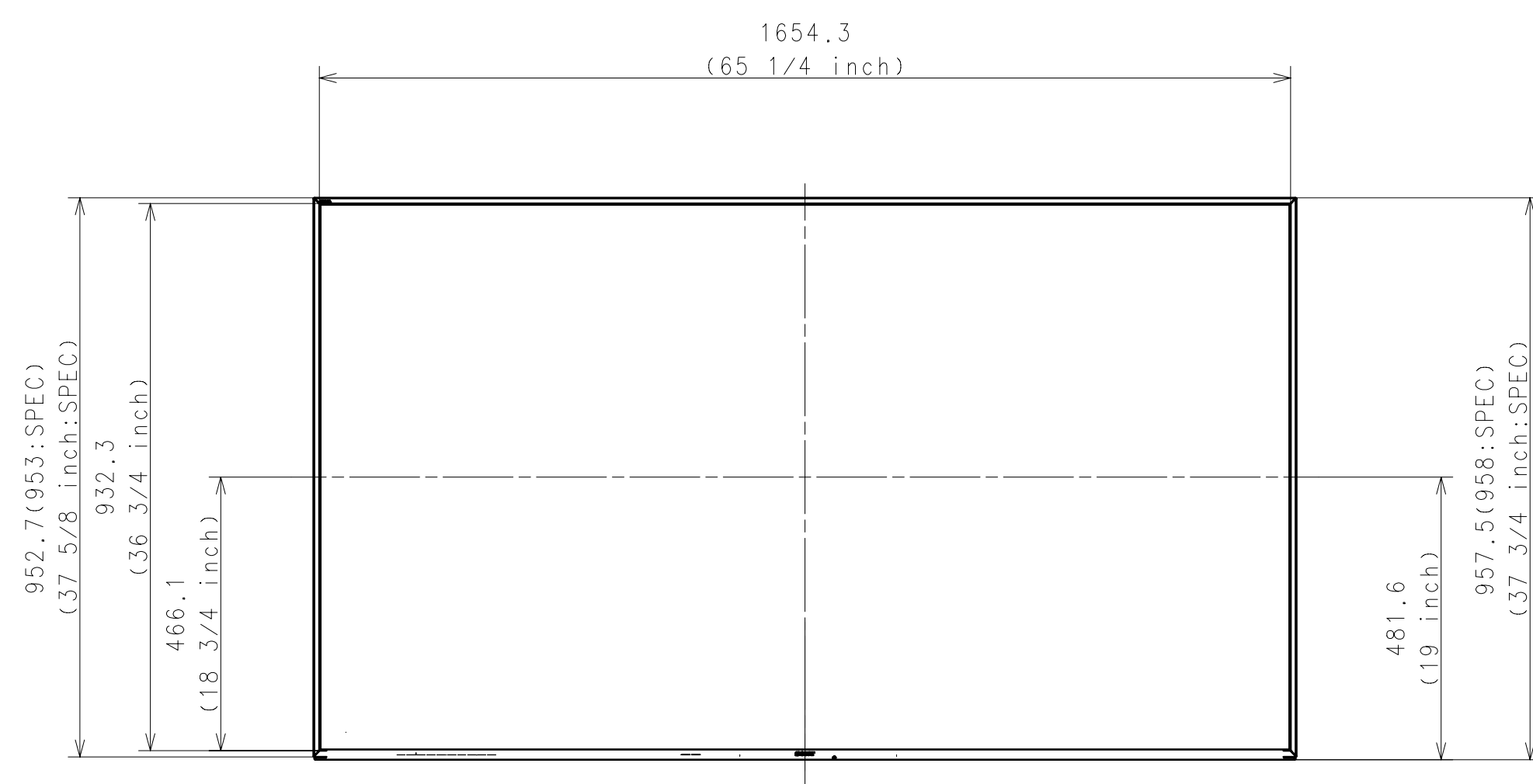
WITH STAND



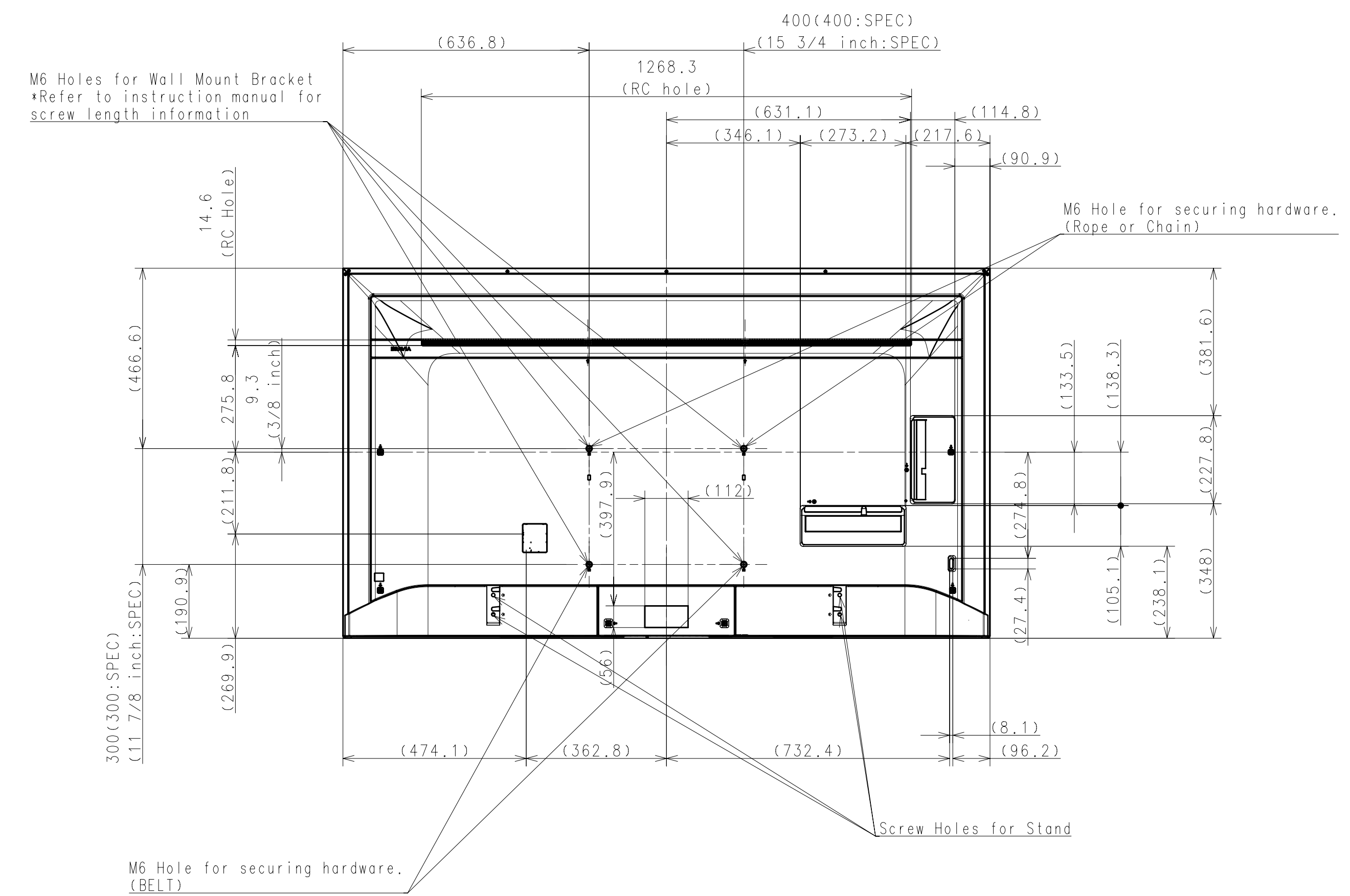
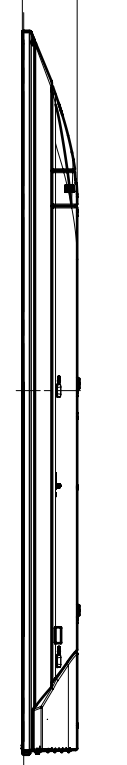
Purchase recycled resins and wire rods only from the business partners that Sony approves as Green Partners.
 再生樹脂・電線電纜はグリーンパートナー 認定部品からの調達を促すこと。

GENERAL TOLERANCE	DATE OF ISSUE	2017.09.29
	DOCUMENT TYPE	PART
	TOLERANCING	DRAWING
	ISO 8015	
MATERIAL COLOR		
FINISH COLOR		
Sony Corporation		
RESPONSIBLE DEPARTMENT	SIZE	UNIT
SVP TV B Div PD Dept. 3	A1	mm
PLANNED BY	SCALE	TENTATIVE MODEL
2017.11.10	1:10	75 (X9000F) EXTERIOR VIEW
DESIGNED BY	APPROVED BY	TENTATIVE PART NO.
P. WAKAMORI		75 (X9000F) EXTERIOR VIEW
DRAWN BY	REV. METHOD	PART NO.
2017.11.10		
P. WAKAMORI		
SHEET/PAGES		1 / 2

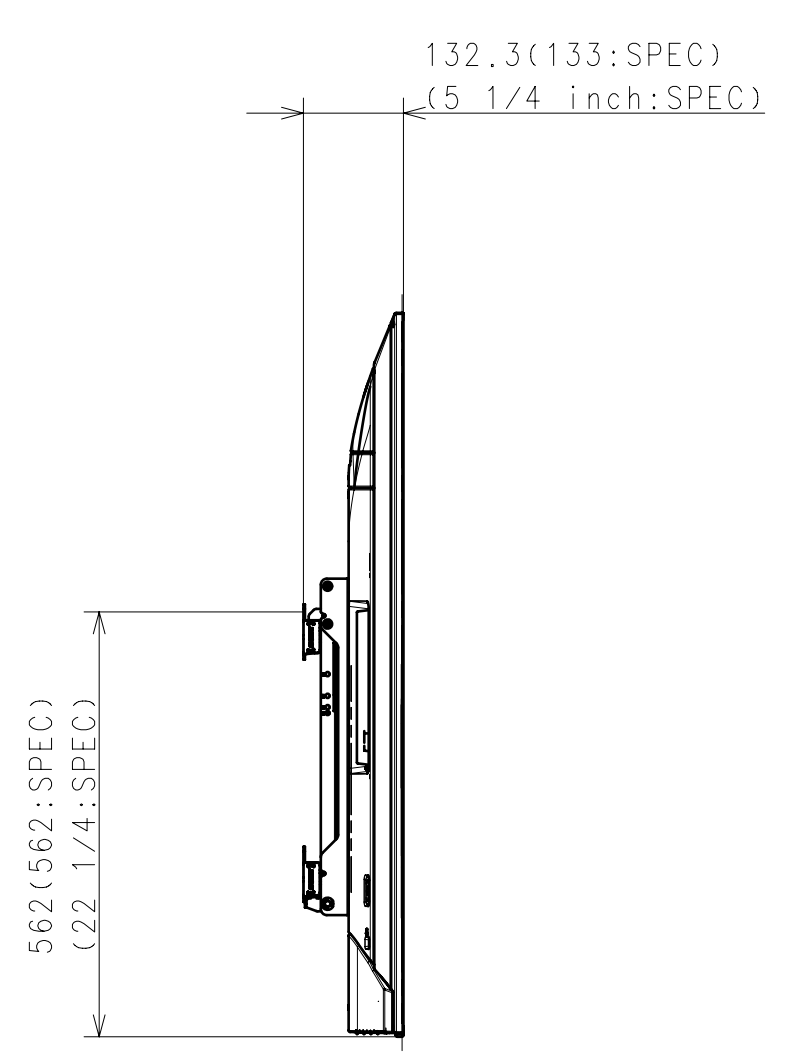
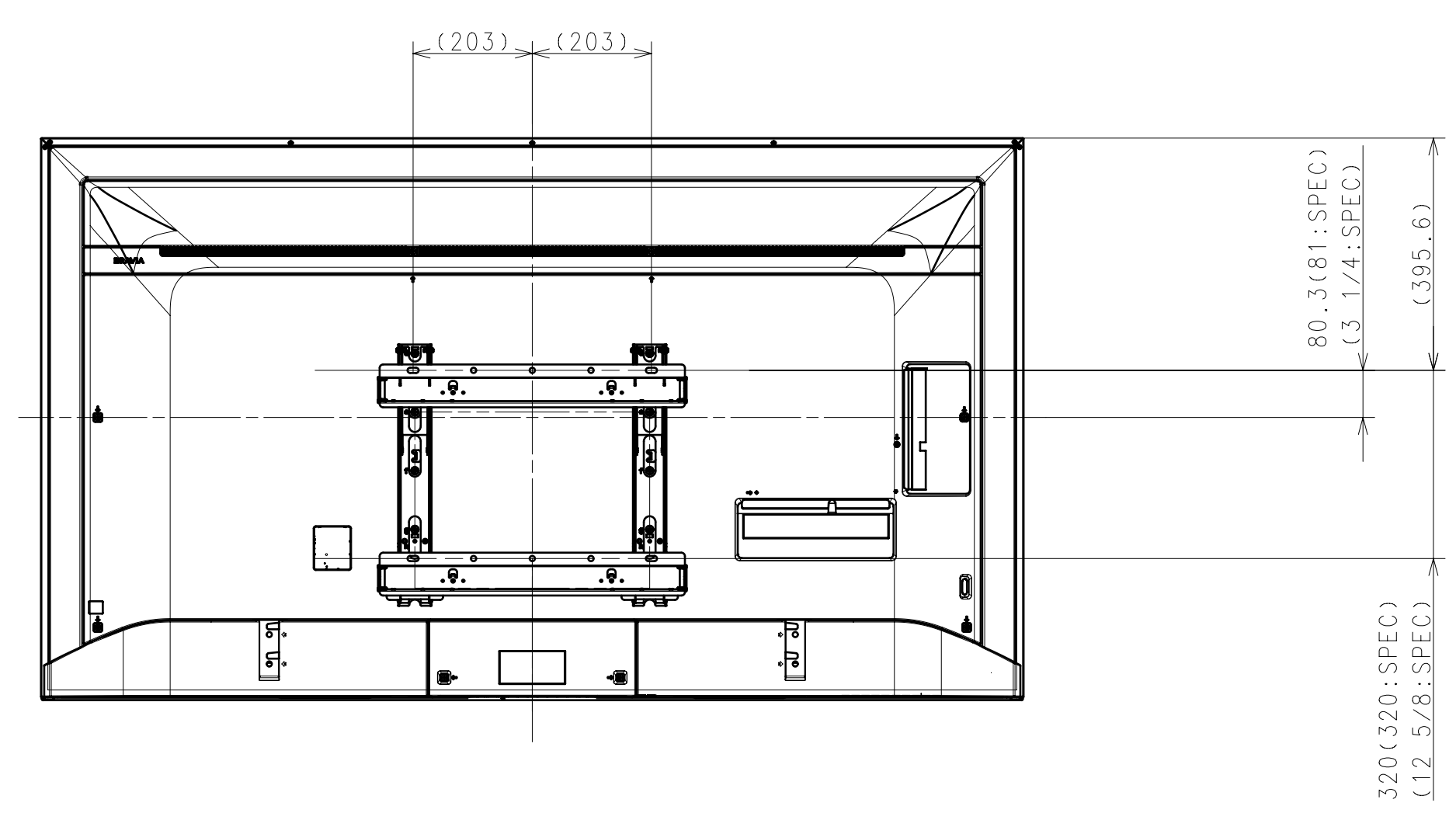
WITHOUT STAND



72.5(73:SPEC)
2 7/8 inch:SPEC



SU-WL500



DESCRIPTION: 75 (X9000F) EXTERIOR VIEW	LEGAL OWNER: Sony Corporation	SCALE: 1:10
DESCRIPTION: 75 (X9000F) EXTERIOR VIEW	TENTATIVE PART NO.	SHEET/PAGES: 2 / 2
PART NO.		